

Parts List

COMMER— DODGE—FARGO

"WALK THRU"

1 1/4, 1 1/2, 2 and 3 Ton Models

COMMER	KA 30 KA 40 KA 60	}	KA MODELS (1961-1967)
COMMER	KC 25 KC 30 KC 40 KC 60		}
DODGE	KB 200 KB 300 KB 400	}	
FARGO	FKB 200 FKB 300 FKB 400		}

SEE PAGES ii and iii FOR DETAILS OF CHASSIS NUMBER, MODEL DESIGNATION, ETC.

Note. This Parts List replaces the previous KA-KC "WALK THRU" models Parts List
Publication No. 76601580

INSTRUCTIONS IN ENGLISH	— Page xii
INSTRUCTIONS EN FRANCAISE	— Page xiv
ERLAUTERUNGEN IN DEUTSCH	— Seite xvi
ISTRUZIONI IN ITALIANO	— Pagina xviii
INSTRUCCIONES EN ESPANOL	— Pagina xx

FOREWORD AND INDEX	A
ENGINE — PETROL — 4 CYLINDER	AB
ENGINE — PETROL — 6 CYLINDER	AC
ENGINE — LIGHT DIESEL — 23CV AND OE138	AD
ENGINE — LIGHT DIESEL — OE160	AE
ENGINE — PERKINS DIESEL — 4-203	AF
ENGINE — PERKINS DIESEL — 4-236	B
CLUTCH AND CONTROLS	C
ACCELERATOR — CHOKE AND ENGINE — STOP CONTROL	D
PEDAL GROUP	E
GEARBOX	F
PROPELLER SHAFT	G
AXLE — REAR	H
AXLE — FRONT — AND TRACK ROD	J
ROAD WHEELS	K
STEERING UNIT AND SIDE ROD	L
BRAKES AND CONTROLS — KA — KC (See Chassis No.)	LA
BRAKES AND CONTROLS — KC (See Chassis No.)	M
CHASSIS FRAME AND SUSPENSION	N
FUEL SYSTEM	O
EXHAUST SYSTEM	P
RADIATOR	Q
ELECTRICAL EQUIPMENT	RA
BODY — SHEET METAL	RB
BODY — HARDWARE — DOORS	RC
BODY — GLAZING	RD
BODY — SEATS	RE
BODY — FITTINGS — INTERIOR	RF
BODY — FITTINGS — EXTERIOR	RG
BODY — TRIM	S
HEATER KIT	T
SPECIAL ACCESSORIES	ZV
TOOLS	ZW
REPLACEMENT SERVICE UNITS	ZY
STANDARDS SECTION	ZZ
NUMERICAL INDEX	

COMMER, DODGE AND FARGO MODELS 1961 to 1967

COMMER DESIGNATION	DODGE DESIGNATION	FARGO DESIGNATION	ENGINE TYPE	CAPACITY AND WHEELBASE
KAH 3023	—	—	4 Cylinder Petrol	1½ Ton - 123" (312.42 cm) W.B.
KAL 3023	—	—	6 Cylinder Petrol	
KAD 3023	—	—	Light Diesel - 23CV	1½ Ton - 123" (312.42 cm) W.B.
KAB 3023	—	—	and OE138	
KAH 4023	—	—	Perkins 4-203	2 Ton - 123" (312.42 cm) W.B.
KAL 4023	—	—	4 Cylinder Petrol	
KAD 4023	—	—	6 Cylinder Petrol	2 Ton - 123" (312.42 cm) W.B.
KAB 4023	—	—	Light Diesel - 23CV	
KAH 4035	—	—	and OE138	2 Ton - 123" (312.42 cm) W.B.
KAL 4035	—	—	Perkins 4-203	
KAD 4035	—	—	4 Cylinder Petrol	2 Ton - 135" (342.90 cm) W.B.
KAB 4035	—	—	6 Cylinder Petrol	
KAL 6035	—	—	Light Diesel - 23CV	2 Ton - 135" (342.90 cm) W.B.
KAB 6035	—	—	and OE138	
KAL 6035	—	—	Perkins 4-203	2 Ton - 135" (342.90 cm) W.B.
KAB 6035	—	—	6 Cylinder Petrol	
KAL 6035	—	—	Perkins 4-203	3 Ton - 135" (342.90 cm) W.B.
KAB 6035	—	—	Perkins 4-203	3 Ton - 135" (342.90 cm) W.B.
KAH 3023	DKAH 3023	FAHA 3023	4 Cylinder Petrol	1½ Ton - 123" (312.42 cm) W.B.
KAL 3023	DKAL 3023	FKAL 3023	6 Cylinder Petrol	
KAV 3023	DKAV 3023	FAVA 3023	Light Diesel - OE160	1½ Ton - 123" (312.42 cm) W.B.
KAB 3023	DKAB 3023	FKAB 3023	Perkins 4-203	
KAH 4023	DKAH 4023	FAHA 4023	4 Cylinder Petrol	2 Ton - 123" (312.42 cm) W.B.
KAL 4023	DKAL 4023	FKAL 4023	6 Cylinder Petrol	
KAV 4023	DKAV 4023	FAVA 4023	Light Diesel - OE160	2 Ton - 123" (312.42 cm) W.B.
KAB 4023	DKAB 4023	FKAB 4023	Perkins 4-203	
KAH 4035	DKAH 4035	FAHA 4035	4 Cylinder Petrol	2 Ton - 123" (312.42 cm) W.B.
KAL 4035	DKAL 4035	FKAL 4035	6 Cylinder Petrol	
KAV 4035	DKAV 4035	FAVA 4035	Light Diesel - OE160	2 Ton - 135" (342.90 cm) W.B.
KAB 4035	DKAB 4035	FKAB 4035	Perkins 4-203	
KAL 6055	DKAL 6055	FAHA 6055	6 Cylinder Petrol	3 Ton - 155" (393.70 cm) W.B.
KAF 6055	DKAF 6055	FAFA 6055	Perkins 4-236	

MODEL DESIGNATION INTERPRETATION

KA denotes "Walk-thru" (1961-1967)	D denotes Light Diesel - 23CV and OE138
KC denotes "Walk-thru" (1967 onwards)	V denotes Light Diesel - OE160
H denotes 4 Cylinder Petrol Engine	B denotes Perkins 4-203
L denotes 6 Cylinder Petrol Engine	F denotes Perkins 4-236
N denotes standard small synchromesh gearbox, this letter added to later models.	

NOTE A The Chassis Number is made up from the Designation and a six-figure Serial Number, e.g., KAH 3023 000000. Dodge and Fargo Models use similar Designations with appropriate Prefix Letter "D" or "F", e.g.,

Dodge DKAH 3023 000000
Fargo FAHA 3023 000000

NOTE B In the body of the Parts List, under the headings and in the Remarks Column, reference has only been made to the Commer Designation unless it is peculiar to Dodge or Fargo. Users of Dodge and Fargo vehicles should apply the equivalent Commer Designations when interpreting this List.

COMMER, DODGE AND FARGO MODELS
1967 to SEPTEMBER 1972

COMMER DESIGNATION	DODGE DESIGNATION	FARGO DESIGNATION	ENGINE TYPE	CAPACITY AND WHEELBASE
KCHN 2523	—	—	4 Cylinder Petrol	1½ Ton – 123" (312.42 cm) W.B.
KCBN 2523	—	—	Perkins 4-203	1½ Ton – 123" (312.42 cm) W.B.
KCHN 3023	DKCHN 3023	FKCHN 3023	4 Cylinder Petrol	1½ Ton – 123" (312.42 cm) W.B.
KCLN 3023	DKCLN 3023	FKCLN 3023	6 Cylinder Petrol	1½ Ton – 123" (312.42 cm) W.B.
KCVN 3023	DKCVN 3023	FKCVN 3023	Light Diesel – OE160	1½ Ton – 123" (312.42 cm) W.B.
KCBN 3023	DKCBN 3023	FKCBN 3023	Perkins 4-203	1½ Ton – 123" (312.42 cm) W.B.
KCHN 4023	DKCHN 4023	FKCHN 4023	4 Cylinder Petrol	2 Ton – 123" (312.42 cm) W.B.
KCLN 4023	DKCLN 4023	FKCLN 4023	6 Cylinder Petrol	2 Ton – 123" (312.42 cm) W.B.
KCVN 4023	DKCVN 4023	FKCVN 4023	Light Diesel – OE160	2 Ton – 123" (312.42 cm) W.B.
KCBN 4023	DKCBN 4023	FKCBN 4023	Perkins 4-203	2 Ton – 123" (312.42 cm) W.B.
KCFN 4023	—	—	Perkins 4-236	2 Ton – 123" (312.42 cm) W.B.
KCHN 4035	DKCHN 4035	FKCHN 4035	4 Cylinder Petrol	2 Ton – 135" (342.90 cm) W.B.
KCLN 4035	DKCLN 4035	FKCLN 4035	6 Cylinder Petrol	2 Ton – 135" (342.90 cm) W.B.
KCVN 4035	DKCVN 4035	FKCVN 4035	Light Diesel – OE160	2 Ton – 135" (342.90 cm) W.B.
KCBN 4035	DKCBN 4035	FKCBN 4035	Perkins 4-203	2 Ton – 135" (342.90 cm) W.B.
KCFN 4035	—	—	Perkins 4-236	2 Ton – 135" (342.90 cm) W.B.
KCLN 4055	—	—	6 Cylinder Petrol	2 Ton – 155" (393.70 cm) W.B.
KCHN 6023	—	—	4 Cylinder Petrol	3 Ton – 123" (312.42 cm) W.B.
KCBN 6023	—	—	Perkins 4-203	3 Ton – 123" (312.42 cm) W.B.
KCFN 6023	—	—	Perkins 4-236	3 Ton – 123" (312.42 cm) W.B.
KCHN 6035	—	—	4 Cylinder Petrol	3 Ton – 123" (342.90 cm) W.B.
KCBN 6035	—	—	Perkins 4-203	3 Ton – 135" (342.90 cm) W.B.
KCFN 6035	—	—	Perkins 4-236	3 Ton – 135" (342.90 cm) W.B.
KCLN 6055	DKCLN 6055	FKCLN 6055	6 Cylinder Petrol	3 Ton – 155" (393.70 cm) W.B.
KCFN 6055	DKCFN 6055	FKCFN 6055	Perkins 4-236	3 Ton – 155" (393.70 cm) W.B.

NOTE:

To select from this parts list, parts which are required for fitting to KCH-KCB 2523 models, read as for KCH-KCB 3023, except for Road Springs which are specifically identified in Section "M".

COMMER, DODGE AND FARGO MODELS
SEPTEMBER 1972 ONWARDS

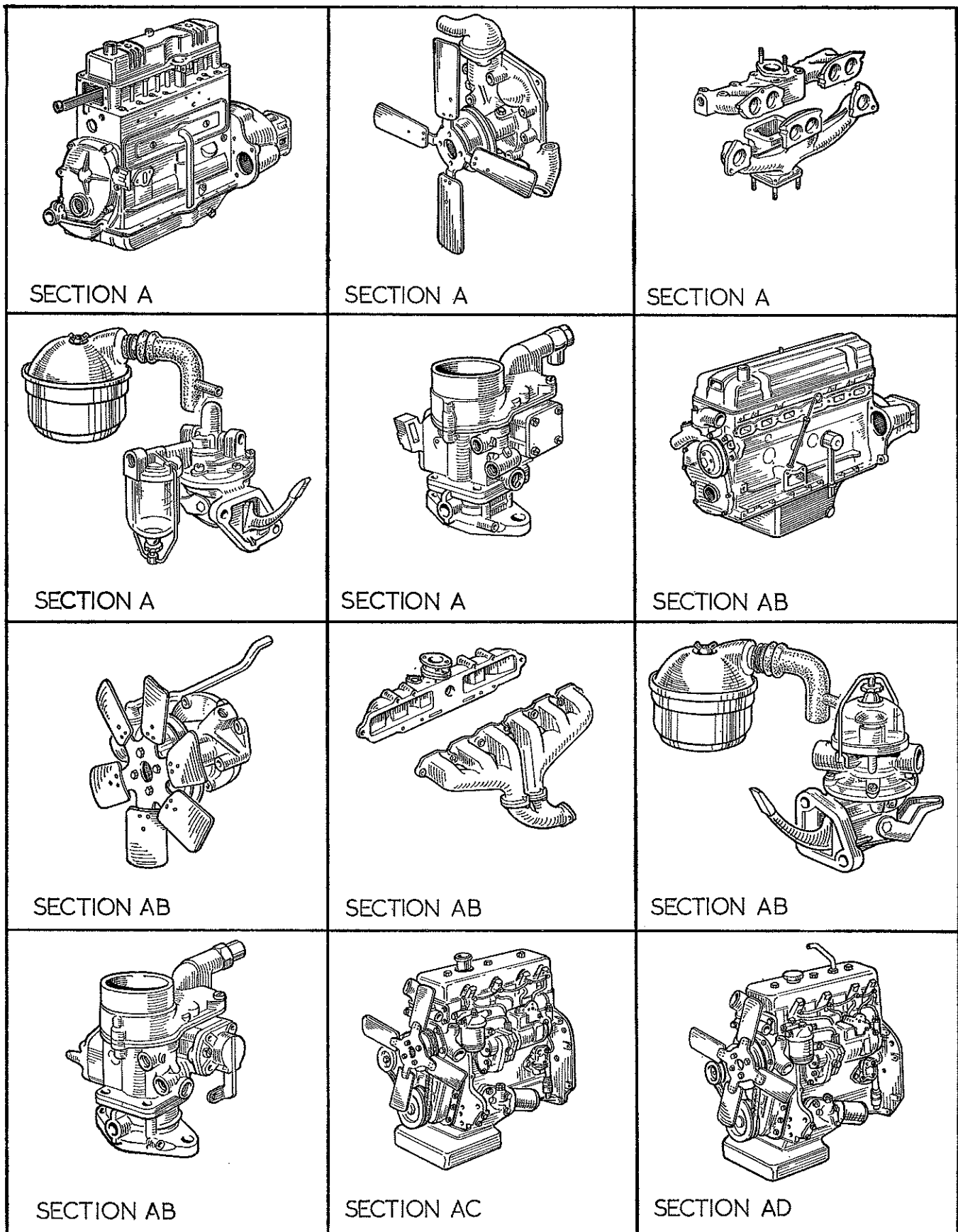
COMMER CHASSIS PLATE DESIGNATION	DODGE CHASSIS PLATE DESIGNATION	FARGO CHASSIS PLATE DESIGNATION	ENGINE TYPE	CAPACITY AND WHEELBASE
KCK2N 2523	DKCK2N 2523	FKCK2N 2523	4 Cylinder Petrol	1½ Ton – 123" (312.42 cm) W.B.
KCT1N 2523	DKCT1N 2523	FKCT1N 2523	Perkins 4-203	1½ Ton – 123" (312.42 cm) W.B.
KCK2N 3023	DKCK2N 3023	FKCK2N 3023	4 Cylinder Petrol	1½ Ton – 123" (312.42 cm) W.B.
KCT1N 3023	DKCT1N 3023	FKCT1N 3023	Perkins 4-203	1½ Ton – 123" (312.42 cm) W.B.
KCK2N 4023	DKCK2N 4023	FKCK2N 4023	4 Cylinder Petrol	2 Ton – 123" (312.42 cm) W.B.
KCT1N 4023	DKCT1N 4023	FKCT1N 4023	Perkins 4-203	2 Ton – 123" (312.42 cm) W.B.
KCK2N 4035	DKCK2N 4035	FKCK2N 4035	4 Cylinder Petrol	2 Ton – 135" (342.90 cm) W.B.
KCT1N 4035	DKCT1N 4035	FKCT1N 4035	Perkins 4-203	2 Ton – 135" (342.90 cm) W.B.
KCK2N 6023			4 Cylinder Petrol	3 Ton – 123" (312.42 cm) W.B.
KCT1N 6023			Perkins 4-203	3 Ton – 123" (312.42 cm) W.B.
KCU1N 6023			Perkins 4-236	3 Ton – 123" (312.42 cm) W.B.
KCK2N 6035			4 Cylinder Petrol	3 Ton – 135" (342.90 cm) W.B.
KCT1N 6035			Perkins 4-203	3 Ton – 135" (342.90 cm) W.B.
KCU1N 6035			Perkins 4-236	3 Ton – 135" (342.90 cm) W.B.
KCU1N 6055	DKCU1N 6055	FKCU1N 6055	Perkins 4-236	3 Ton – 155" (393.70 cm) W.B.

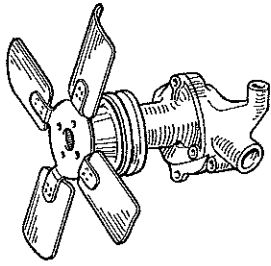
MODEL DESIGNATION INTERPRETATION

KC denotes "Walk-thru"
T1 denotes Perkins 4-203
N denotes standard 4-speed synchromesh gearbox

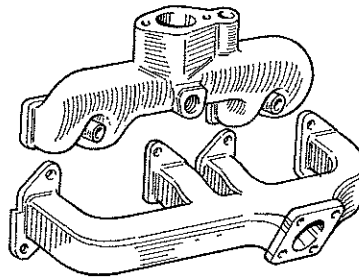
K2 denotes 4 Cylinder Petrol Engine
U1 denotes Perkins 4-236

NOTE: To select from this parts list parts which are required for fitting to KCK2-KCT1 2523 models, read as KCK2-KCT1 3023, except for Road Springs which are specifically identified in Section "M".

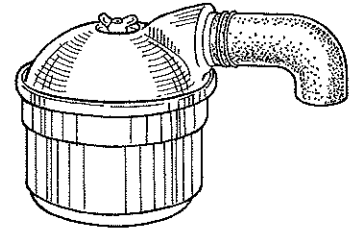




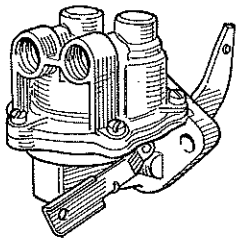
SECTION AC & AD



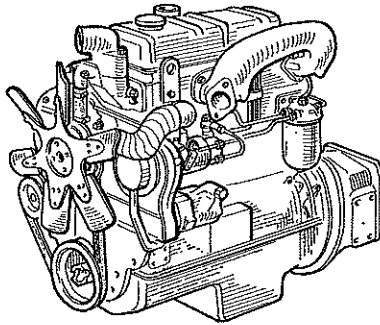
SECTION AC & AD



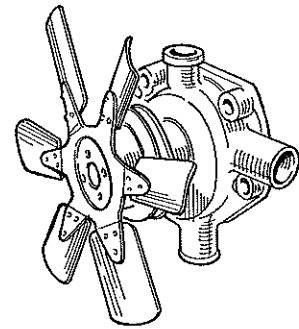
SECTION AC & AD



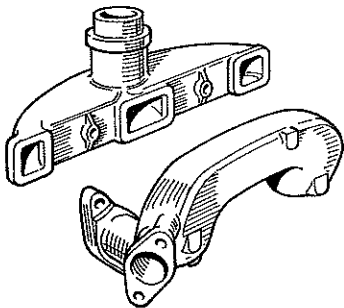
SECTION AC & AD



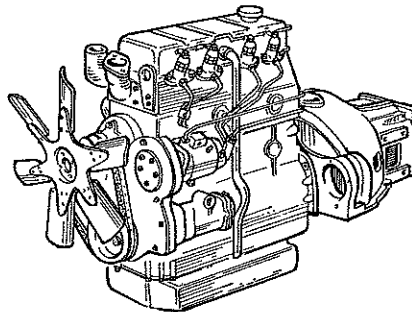
SECTION AE



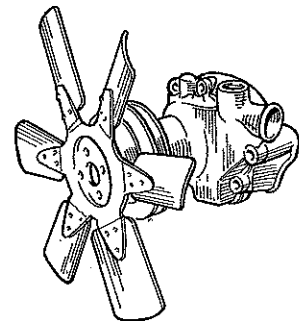
SECTION AE



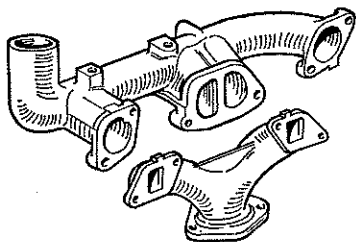
SECTION AE



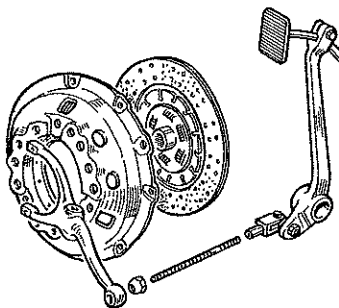
SECTION AF



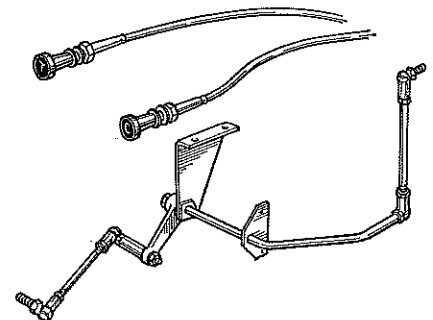
SECTION AF



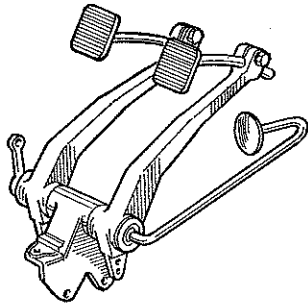
SECTION AF



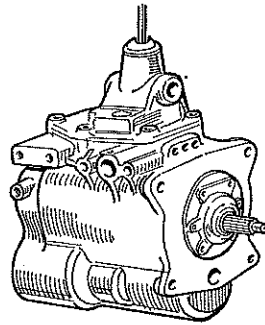
SECTION B



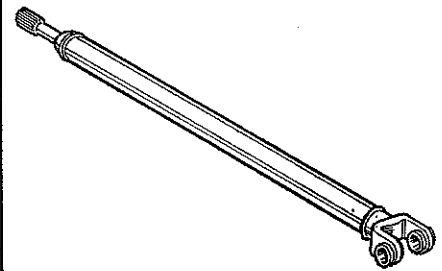
SECTION C



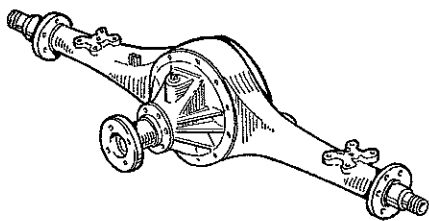
SECTION D



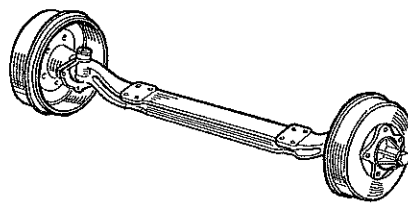
SECTION E



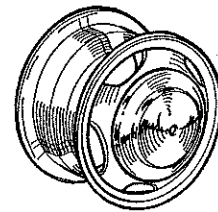
SECTION F



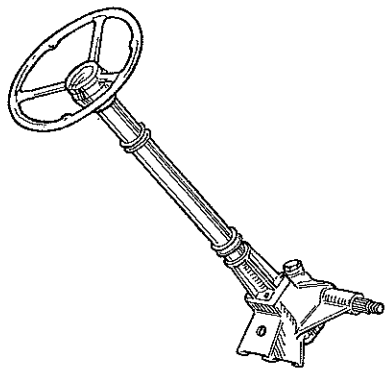
SECTION G



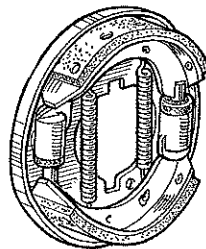
SECTION H



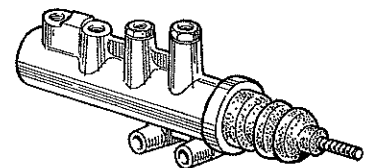
SECTION J



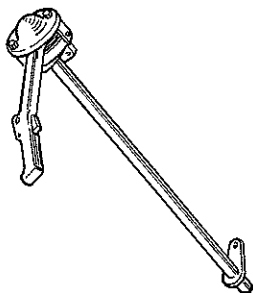
SECTION K



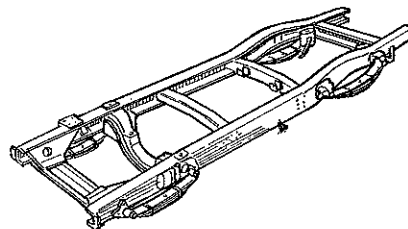
SECTION L



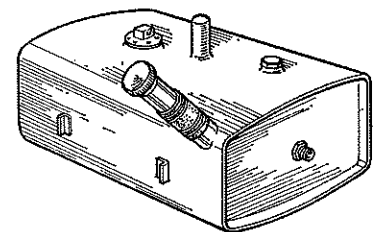
SECTION L



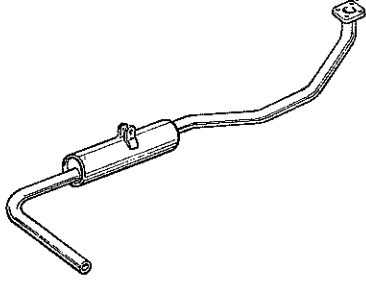
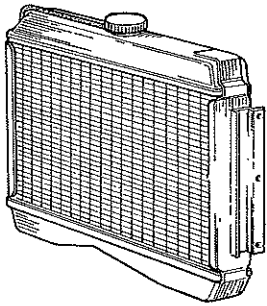
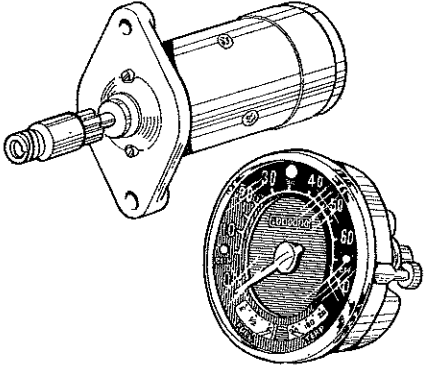
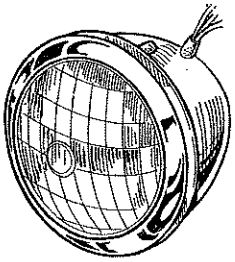
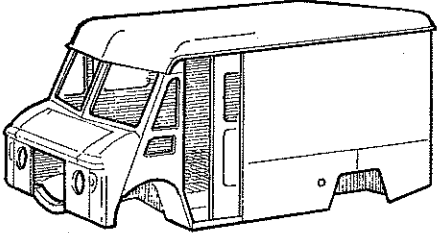
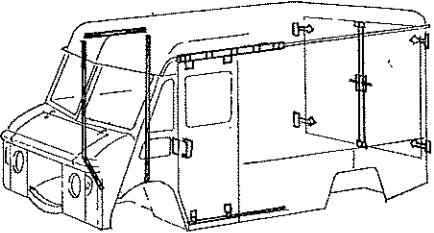
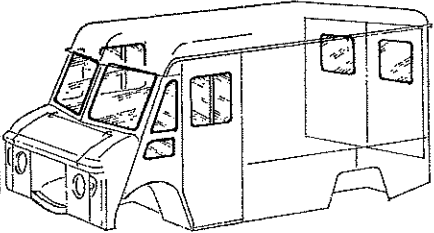
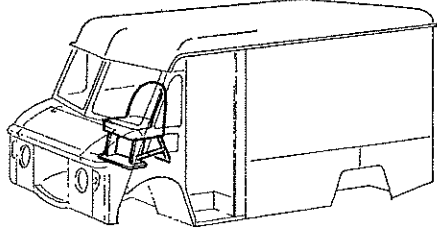
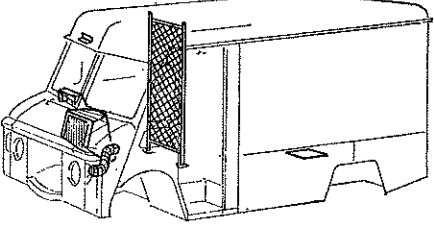
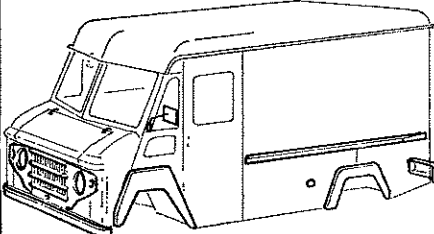
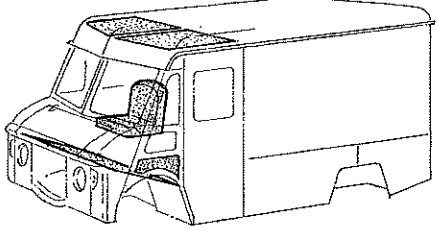
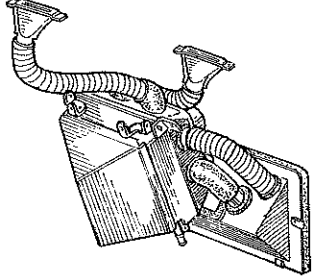
SECTION L



SECTION M



SECTION N

 <p>SECTION O</p>	 <p>SECTION P</p>	 <p>SECTION Q</p>
 <p>SECTION Q</p>	 <p>SECTION RA</p>	 <p>SECTION RB</p>
 <p>SECTION RC</p>	 <p>SECTION RD</p>	 <p>SECTION RE</p>
 <p>SECTION RF</p>	 <p>SECTION RG</p>	 <p>SECTION S</p>

INDEX

	Page No.
ACCELERATOR – CHOKE – AND ENGINE	
STOP CONTROLS	
Diesel – R.H.D. – Accelerator	C10 - C11
Diesel – L.H.D. – Accelerator	C12 - C13
Diesel – Stop Control – Engine	C14
Petrol – 4 Cylinder – R.H.D. – Accelerator ..	C1 - C2
Petrol – 4 Cylinder – L.H.D. – Accelerator ..	C3 - C4
Petrol – 6 Cylinder – R.H.D. – Accelerator ..	C5
Petrol – 6 Cylinder – L.H.D. – Accelerator ..	C6 - C8
Petrol – 4 and 6 Cylinder – Choke	C9
AXLE – FRONT AND TRACK ROD	
Arm – Steering	H2
Bed – Axle	H1
Kit – Swivel Pin	H1
Rod – Track	H3
AXLE – REAR	
Casing – Axle – KAD – KA/C – H/V 2523 – 3023	G1
Casing – Axle – KA/C – B25/30/40/6035 – KAD – KA/C – H/V 40 – KA/C – L30/40/60 KA/C – F 6055	G4
Differential Assembly – KAD – KA/C – H/V 2523 – 3023	G2
Differential Assembly – KA/C – B25/30/40/6035 – KA/C – KAD H/V 40 – KA/C – L 30/40/60 KA/C – F 6055	G5 - G6
Hubs – Studs – Rear – KAD – KA/C – H/V 2523 – 3023	G2 - G3
Hubs – Studs – Rear – KA/C – B – 25/30/40/6035 – KAD – KA/C – H/V 40 – KA/C – L 30/40/60 – KA/C – F6055	G6
Shaft – Axle – KAD – KA/C – H/V 2523 – 3023	G3
Shaft – Axle – KA/C – B25/30/40/6035 – KAD – KA/C – H/V 40 – KA/C – L30/40/60 KA/C – F6055	G6
BODY – SHEET METAL	RA1 - RA5
BODY – HARDWARE – DOORS	
Folding – Cab Models	RB4 - RB6
Rear – Van Models	RB7 - RB8
Sliding – Van Models	RB1 - RB3
BODY – GLAZING	RC1 - RC2
BODY – SEATS	RD1 - RD2
BODY FITTINGS – INTERIOR	
Cowl – Engine	RE3
Floor Fittings	RE3 - RE4
Van Partition	RE5
Ventilator Assembly	RE1
Windscreen Washer	RE2

	Page No.
BODY FITTINGS – EXTERIOR	
Bonnet Fittings	RF1
Bumper – Front	RF4
Grille and Fittings	RF3 - RF4
Radiator Fittings	RF2
Van – Side	RF5
Van – Rear	RF7 – RF8
BODY – TRIM	RG1 - RG2
BRAKES AND CONTROLS	
Brake Assembly – Front	L1
Brake Assembly – Rear	
KAD – KA/C – H/V 3023	L2 - L3
KA/L – B – KC/L – B 3023 – 4023 – 4035	L4 - L5
KA/H – D/V – KC/H – V 4023 – 4035	L4 - L5
KA/L – B 6035 – KA/L – F – KC/L – F6055	L4 - L5
Controls – Brake – Without servo	L13 - L15
– With single servo	L15 - L21
– With double servo	L22 – L26
Cable – Handbrake	L29 - L30
Cylinder – Master	L6
Handbrake and Controls	L27 - L30
Servo Unit - Vacuum	L7 - L12
BRAKES AND CONTROLS	
Brake Assembly – Front	LA1
Brake Assembly – Rear	
KC 2523/3023/4023/4035	LA2
KC 6023/6035/6055	LA3
Controls – Brake	LA6 - LA10
Cable – Handbrake	LA12
Cylinder – Master	LA4
Handbrake and Controls	LA11 - LA13
Servo Unit – Vacuum	LA5
CHASSIS FRAME AND SUSPENSION	
Brackets – Cab mounting	M2
Brackets – Spring	M2
Carrier – Spare Wheel	M3
Frame Assembly	M1
Shock Absorbers	M8
Springs – Front	M5
Springs – Rear	M6 - M7
CLUTCH AND CONTROLS	
Bearing – Withdrawal	B8
Clutch Unit and Fixings	B1 – B7
Housing – Clutch	B9
Lever – Withdrawal	B8
Pipe – Lubricating	B9
ELECTRICAL EQUIPMENT	
Alternator	Q14
Battery	Q18
Coil	Q16
Control Unit – Alternator	Q14
Control Unit – Dynamo	Q13
Control – Warning light	Q14

INDEX—continued

	Page No.		Page No.
ELECTRICAL EQUIPMENT — continued			
Distributor	Q15 - Q16		
Dynamo	Q12		
Field Isolating Relay	Q14		
Flasher Unit	Q18		
Fuse Unit — Alternator	Q14		
Fuse Unit — Dynamo	Q13		
Gauge — Fuel	Q1		
Gauge — Thermometer	Q1		
Headlamps	Q3 - Q4		
Horn	Q18		
Harness — Cable	Q19		
Lamp — Interior — Roof	Q6		
Lamp — Number plate	Q5 - Q6		
Lamp — Stop Tail	Q5		
Lamp — Flasher	Q5		
Motor — Starter	Q9 - Q10		
Motor — Wiper	Q18		
Plug — Sparking	Q16		
Side lamps	Q4		
Speedometer and Cables	Q1		
Switches and controls	Q7 - Q8		
Voltage Stabilizer	Q1		
ENGINE — PERKINS — DIESEL — 4-203			
Block — Cylinder — Assembly	AE1		
Crankshaft	AE5		
Cleaner — Air	AE22		
Exhauster	AE21		
Fan Assembly	AE12		
Flywheel and Starter Ring	AE6		
Fuel Injection — Equipment	AE13 - AE17		
Gasket set	AE22		
Head — Cylinder — Assembly	AE3		
Housing — Timing Gear	AE7		
Lubricating Oil system	AE9		
Manifold — Exhaust	AE4		
Manifold — Inlet	AE6		
Piston and Rings	AE6		
Pump — Water	AE11		
Thermostat	AE4		
Tie Rod — Assembly	AE25		
Valves — Inlet and Exhaust	AE3		
ENGINE — PERKINS — DIESEL — 4-236			
Block — Cylinder — Assembly	AF1		
Crankshaft	AF3		
Cleaner — Air	AF6		
Exhauster	AF14		
Fan Assembly	AF9		
Flywheel and Starter Ring	AF4		
Fuel Injection — Equipment	AF9 - AF12		
Gasket — Set	AF16		
Head — Cylinder — Assembly	AF2		
Housing — Timing Gear	AF6		
Lubricating Oil system	AF7		
Manifold — Exhaust	AF3		
Manifold — Inlet	AF5		
Piston and Rings	AF4		
Pump — Water	AF8		
ENGINE — PERKINS — DIESEL — 4-236 — continued			
Thermostat	AF3		
Tie Rod — Assembly	AF17		
Valves — Inlet and Exhaust	AF2		
ENGINE — LIGHT DIESEL — 23CV and OE138			
Block — Cylinder — Assembly	AC1 - AC2		
Crankshaft	AC4		
Cover — Timing	AC5		
Fan Assembly	AC19		
Flywheel and Starter Ring (Gear)	AC4		
Gasket — Set	AC17		
Head — Cylinder — Assembly	AC5 - AC6		
Housing — Bearing	AC2		
Manifold — Exhaust	AC19		
Manifold — Inlet	AC19		
Piston and Rings	AC3		
Pump — Fuel Injection	AC11 - AC13		
Pump — Water	AC17 - AC18		
Pump — Fuel Lift	AC9		
Pump — Oil	AC5		
Silencer and Cleaner — Air	AC22		
Tie Rod — Assembly	AC23		
Valves — Inlet and Exhaust	AC6		
ENGINE — LIGHT DIESEL — OE.160			
Block — Cylinder — Assembly	AD1		
Crankshaft	AD4		
Cover — Timing	AD6		
Fan Assembly	AD8		
Flywheel and Starter Ring (Gear)	AD5		
Gasket — Set	AD14		
Head — Cylinder — Assembly	AD2		
Housing — Bearing	AD1		
Manifold — Exhaust	AD4		
Manifold — Inlet	AD3		
Piston and Rings	AD5		
Pump — Fuel Injection	AD8 - AD9		
Pump — Water	AD7		
Pump — Fuel Lift	AD11		
Pump — Oil	AD6		
Silencer and Cleaner — Air	AD15		
Tie Rod — Assembly	AD14		
Valves — Inlet and Exhaust	AD3		
ENGINE — PETROL — 4 CYLINDER			
Block — Cylinder — Assembly	A1		
Carburettor	A9 - A10		
Crankshaft	A3		
Cover — Timing	A3		
Flywheel and Starter Ring (Gear)	A3		
Fan	A12		
Gasket — Set	A9		
Head — Cylinder — Assembly	A4 - A5		
Manifold — Exhaust	A9		
Manifold — Inlet	A9		
Pump — Water	A5 - A6		
Pump — Oil	A4		
Pump — Petrol	A10 - A11		
Piston and Rings	A2		
Silencer and Cleaner — Air	A11 - A12		
Tie Rod — Assembly	A14		


INDEX—continued

	Page No.
ENGINE – PETROL – 6 CYLINDER	
Block – Cylinder – Assembly	AB1
Carburettor	AB9 - AB10
Crankshaft	AB2
Cover – Timing	AB3
Flywheel and Starter Ring (Gear)	AB3
Fan	AB11
Gasket – Set	AB8
Head – Cylinder – Assembly	AB4 - AB5
Manifold – Exhaust	AB8
Manifold – Inlet	AB8
Pump – Water	AB6
Pump – Oil	AB3
Pump – Petrol	AB10 - AB11
Piston and Rings	AB2
Silencer and Cleaner – Air	AB14
Tie Rod – Assembly	AB13
EXHAUST SYSTEM	
Pipe – Exhaust	O1
Pipe – Tail	O3
Silencer	O2
FUEL SYSTEM	
Tank – Fuel – Pipes – Diesel	N3 - N6
Tank – Fuel – Pipes – Petrol	N1 - N2
GEARBOX – STANDARD TRANSMISSION	
Casing and Covers	E1
Cluster – Layshaft	E3
Hub and Sleeve – Synchro	E2
Lever – Change speed	E4
Mainshaft	E1
Pinion – Speedometer	E2
Shaft – Primary	E1
HEATER AND DEMISTER	S1 - S5
PEDAL GROUP	
Lever – Assembly – Accelerator – L.H.D. ..	D2
Lever – Brake – R.H.D.	D1
Lever – Brake – L.H.D.	D2
Lever – Clutch – R.H.D.	D1
Lever – Clutch – L.H.D.	D2
Shaft – Assembly – Accelerator – R.H.D. ..	D1

	Page No.	
PROPELLER SHAFT		
KAD – KA/C – H/V	F1 - F2	
KA/C – L/B	F3 - F4	
6055 Models	F5	
Support Brackets and Bearings	F6 - F7	
RADIATOR	P1 - P2	
ROAD WHEELS		J1
SPECIAL ACCESSORIES		
Anchorage Kit – Safety belt	T1	
Belt – Safety – Kit	T1	
Flashing Direction Indicator – Kit	T1	
Gauge – Oil Pressure – Kit	T1	
Handle – Cranking	T1	
Lamp – Fog – Kit	T2	
Lamp – Reverse	T2	
Lamp – Spot – Kit	T2	
Lighter – Cigar – Kit	T2	
Pad – Pedal	T2	
Relay Starting Aid	T2	
Sun Visor – Interior – Kit	T3	
Screenwasher – Kit	T2 - T3	
STEERING UNIT AND SIDE ROD		
Arm – Drop	K3	
Rod – Side steering	K3	
Unit – Steering – KA 30/40 – KC 25/30 ..	K1	
Unit – Steering – KA 60 – KC 40/60 ..	K2	
TOOLS	ZV1	
MISCELLANEOUS ITEMS		
Numerical Part Number Index	ZZ1	
Replacement Service Units	ZW1	
Standard Parts – Bolts – Nuts – Washers, etc.	ZY1	

ALWAYS QUOTE CHASSIS NUMBER

The Chassis Number will be found stamped on a plate similar to that shown below, secured to the offside dash panel inside the driver's compartment—to the right of and below the instrument panel.

CHASSIS NO			NO. OF AXLES
SERIES/TYPE		TONS	KG
ENGINE TYPE			FRONT
B.S. AU141, 1971	INST. HP		1^{ST.} REAR
S.P. ORDER NO.			2^{ND.} REAR
TYRES — FRONT			GROSS VEH. WT.
TYRES — REAR			GROSS TRAIN WT.
			

ABBREVIATIONS

A/R	— As Required	mm	— millimetre
B.A.	— British Association Thread	O/D	— Outside Diameter
B.S.F.	— British Standard Fine Thread	O/S	— Oversize
B.S.W.	— British Standard Whitworth Thread	pr.	— Pair
cm	— Centimetre	R.H.	— Right-Hand
Cyl.	— Cylinder	R.H.D.	— Right-Hand Drive
Dia.	— Diameter	s/d	— Superseded by
I/D	— Inside Diameter	Std.	— Standard
L.H.	— Left-Hand	U.N.C.	— Unified Coarse Thread
L.H.D.	— Left-Hand Drive	U.N.F.	— Unified Fine Thread
		W.B.	— Wheel Base

A complete list of Dealers in Great Britain and N. Ireland can be obtained on application to Chrysler United Kingdom Limited, Parts and Overseas Assembly Supply Division — Birmingham.

All references in the Remarks Column of this Catalogue to N.A.S. should be interpreted as North American Specification (U.S.A.)

CONDITIONS OF SALE

All Sales are made subject to the Company's "Conditions of Sale" current at the time of delivery.

Chrysler United Kingdom have taken every care in compiling this list, but they cannot accept responsibility for inaccuracies which may have occurred.

CHRYSLER UNITED KINGDOM LIMITED

PARTS AND OVERSEAS ASSEMBLY SUPPLY DIVISION
COVENTRY ROAD - BIRMINGHAM B10 OHL

Telephone: 021-772 4321

Telegrams: Chryslerpar Birmingham
Telex: Chryslerpar Birmingham
Telex No.: 339021

USE OF PARTS LIST

In addition to the Section Index on Page i, a pictorial index is included on Page iv onwards to assist the Parts List user to locate the required Section without difficulty. Each illustration shows the Reference Letter of the Section in which will be found full details of the unit and associated parts.

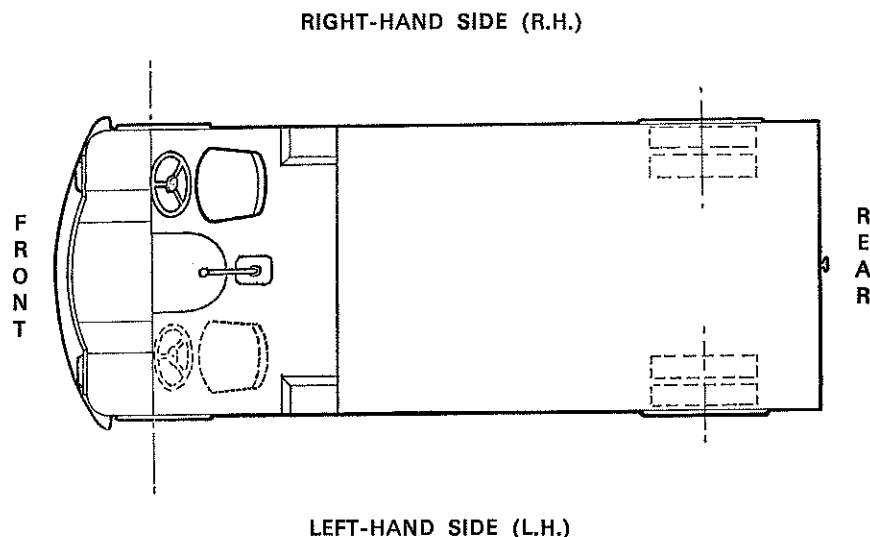
Similarly, the illustration included on the Title Page of each main Section, depicts the major components which are dealt with in detail within that Section.

Individual replacement parts are indicated by a Plate Reference Number on the detailed drawings in each Section. The corresponding number printed in the left-hand column of the list immediately following the illustration, enables the user to locate the Part Number and Description of the component required.

In this Parts List, parts which have both right- and left-hand conditions, are designated as either "R.H." for right-hand, or "L.H." for left-hand.

It is important to note that by right-hand (R.H.) we refer to the right side of the vehicle when viewed from rear to front, as shown in the diagram below. Similarly the left-hand side of the vehicle is when viewed from rear to front.

It will be noted that the parts comprised in a sub-assembly or major unit, are inset to the right under the first word of description of the major unit or sub-assembly.



ISSUE OF REPRINT PAGES

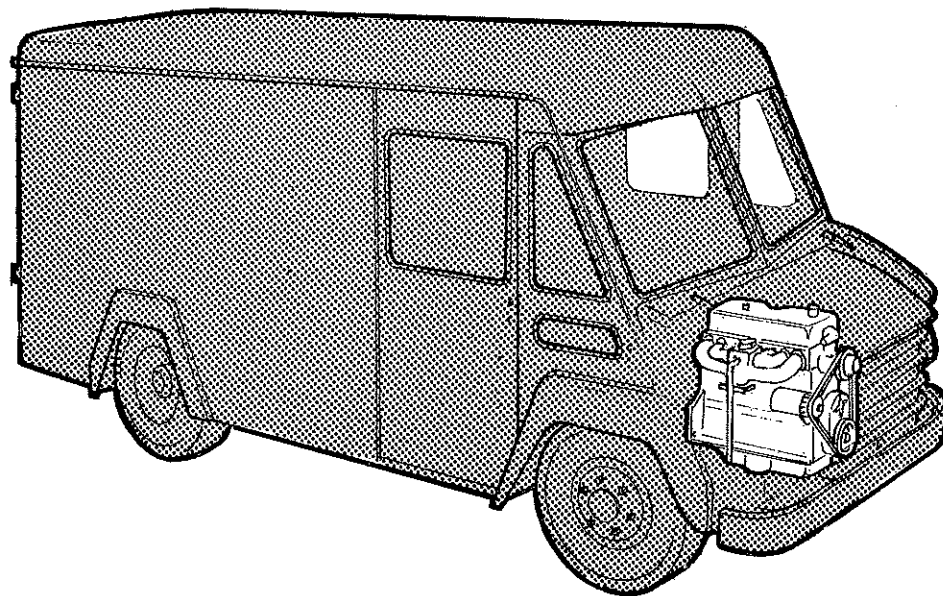
Supplements comprising reprinted or additional pages will be issued, as necessary, to maintain this Parts List. No other form of Amendment will be issued.

Please ensure that such pages are correctly positioned in the Parts List.

- (a) Check Publication Number at top of each page. The same number will be printed at the top of each re-issued or additional page.
- (b) Ensure that new pages are filed in correct Section by alphabetical sequence, and in the correct numerical sequence within the Section.
- (c) Re-issued pages will be clearly indicated at the foot of the page, and must be filed in place of the original or previously issued page, which must then be destroyed.

SECTION A

ENGINE UNIT AND AUXILIARIES PETROL — 4 CYLINDER



ENGINE UNIT AND AUXILIARIES – PETROL – 4 CYLINDER

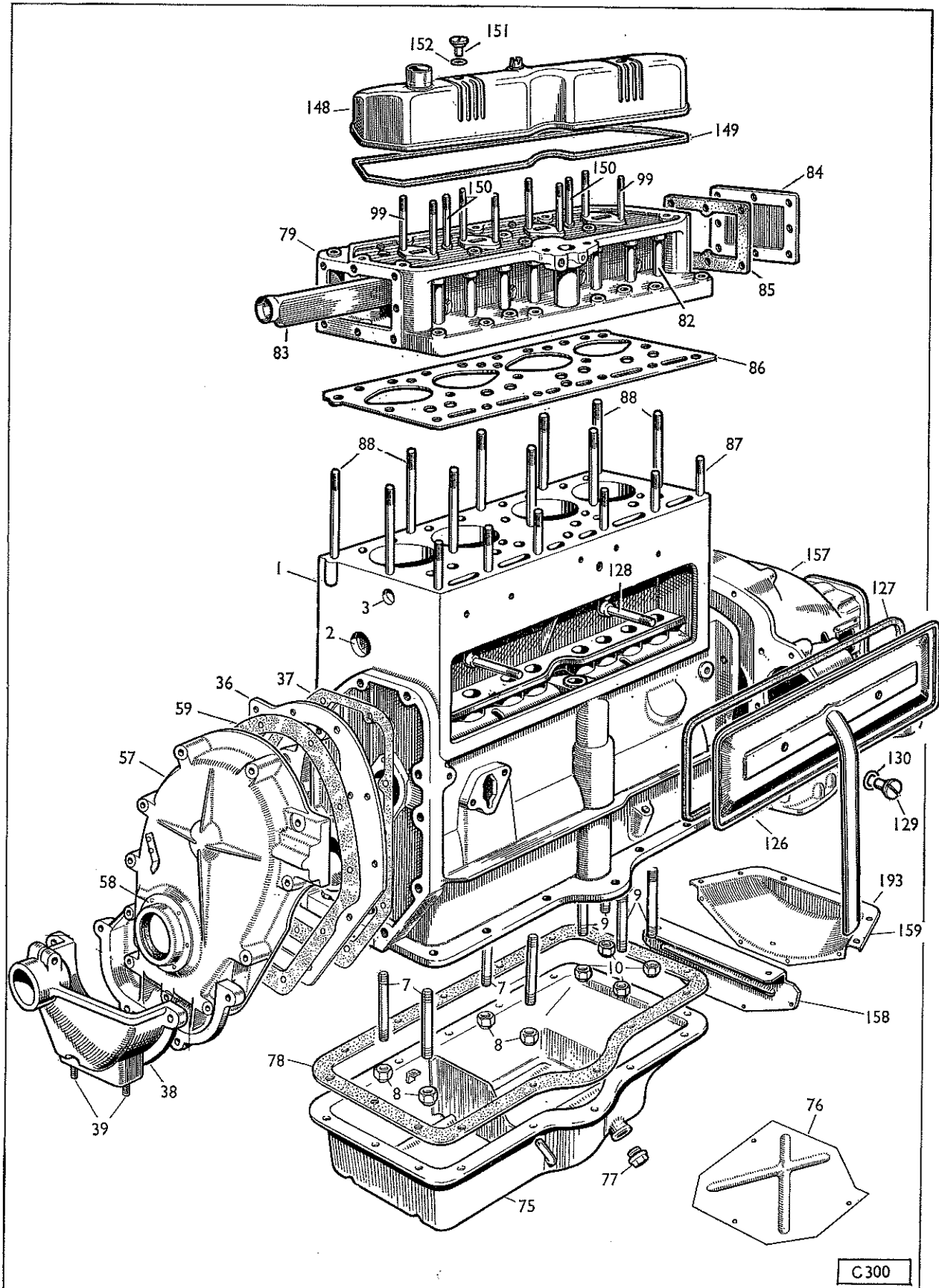
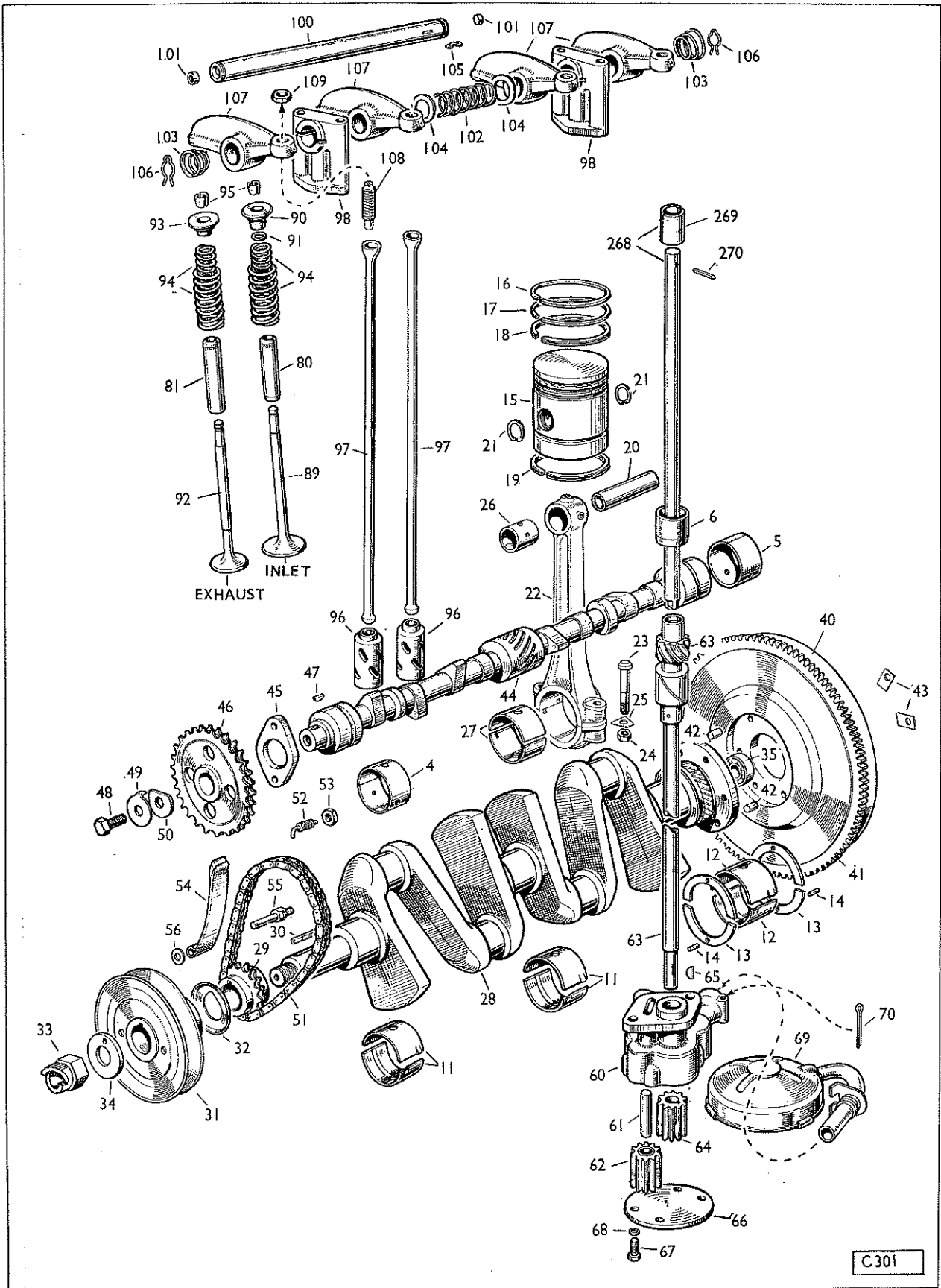


PLATE A — SECTION A

ENGINE UNIT AND AUXILIARIES - PETROL - 4 CYLINDER



C 301

PLATE B - SECTION A

ENGINE UNIT AND AUXILIARIES - PETROL - 4 CYLINDER

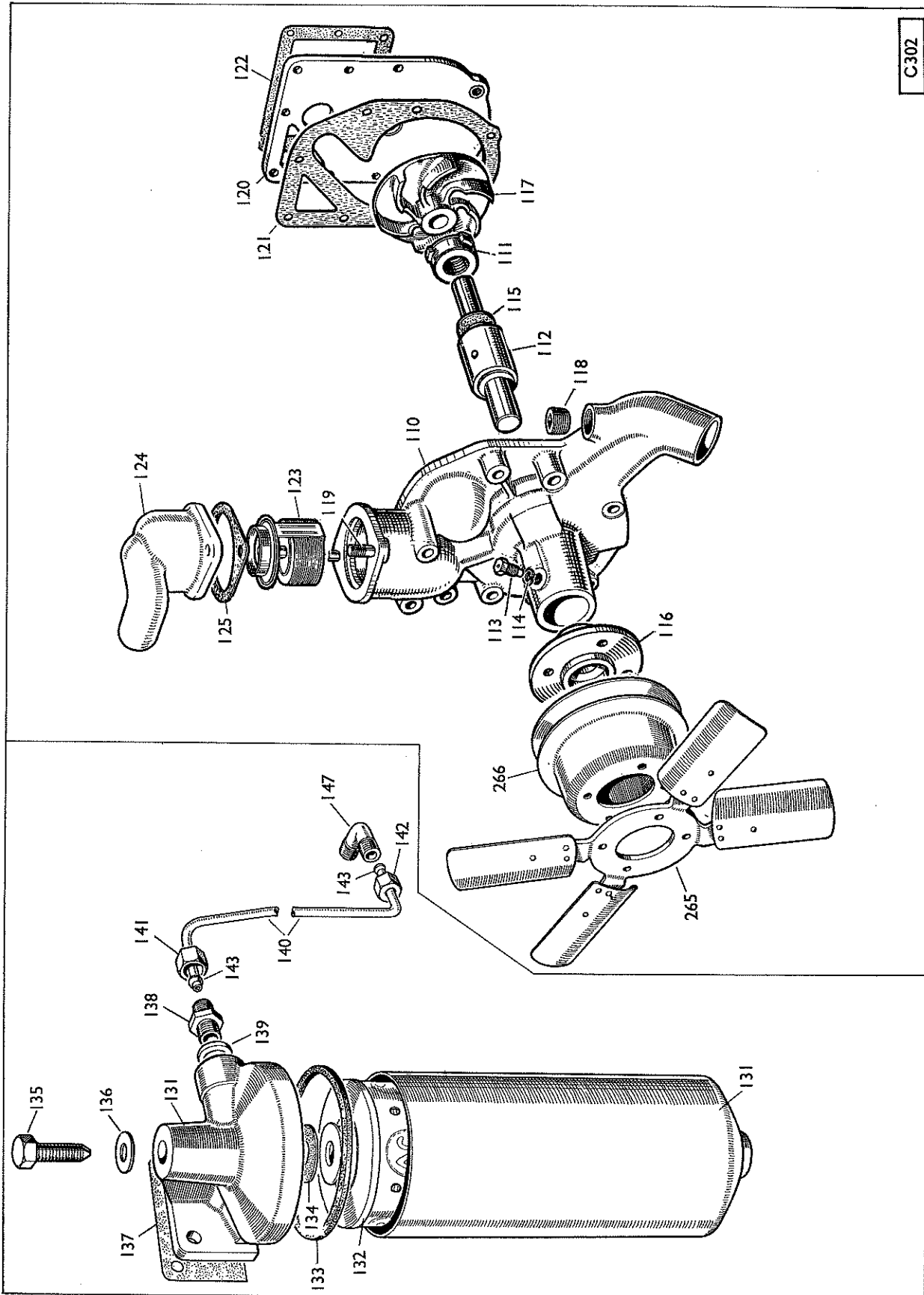


PLATE C - SECTION A

ENGINE UNIT AND AUXILIARIES - PETROL - 4 CYLINDER

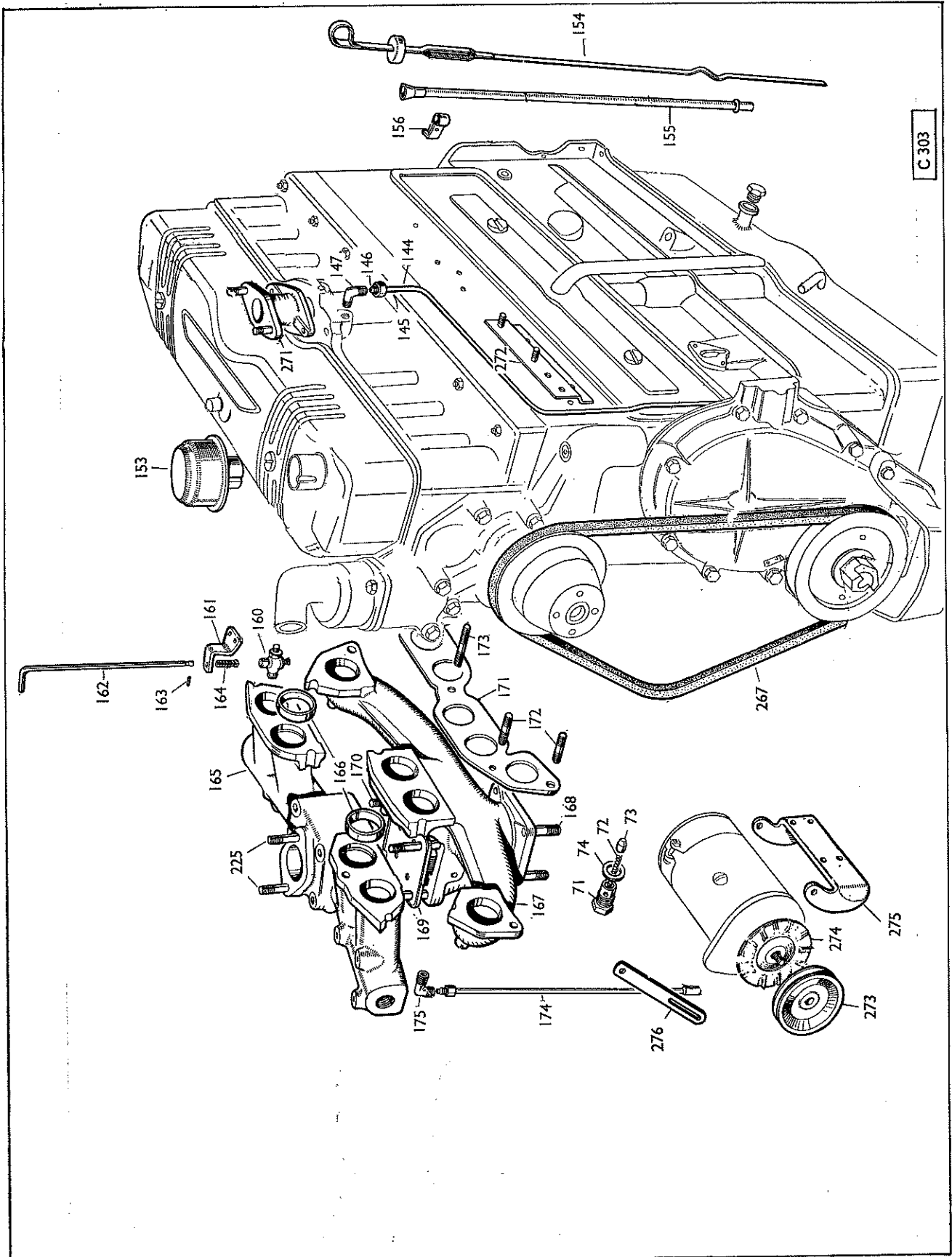
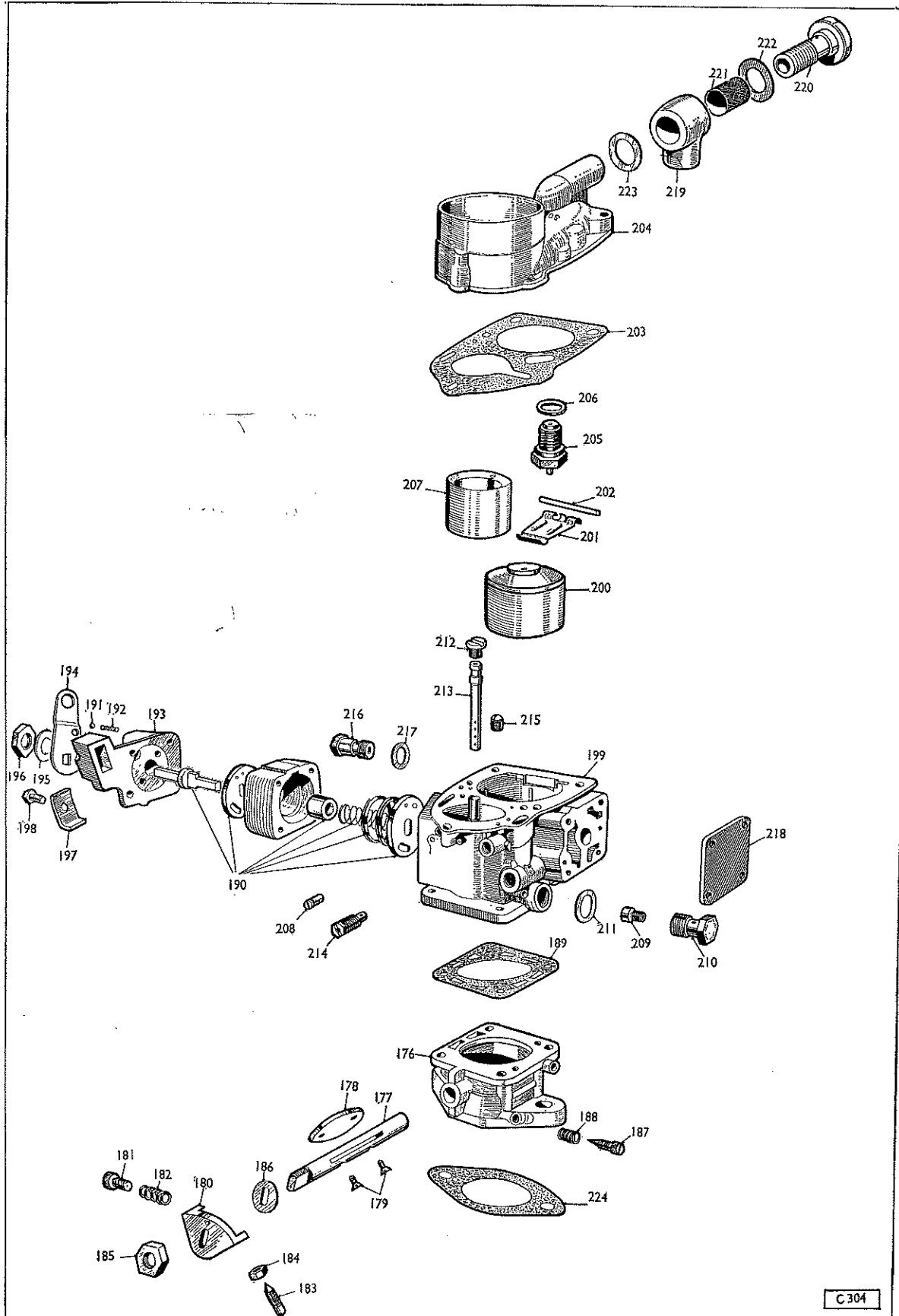


PLATE D - SECTION A

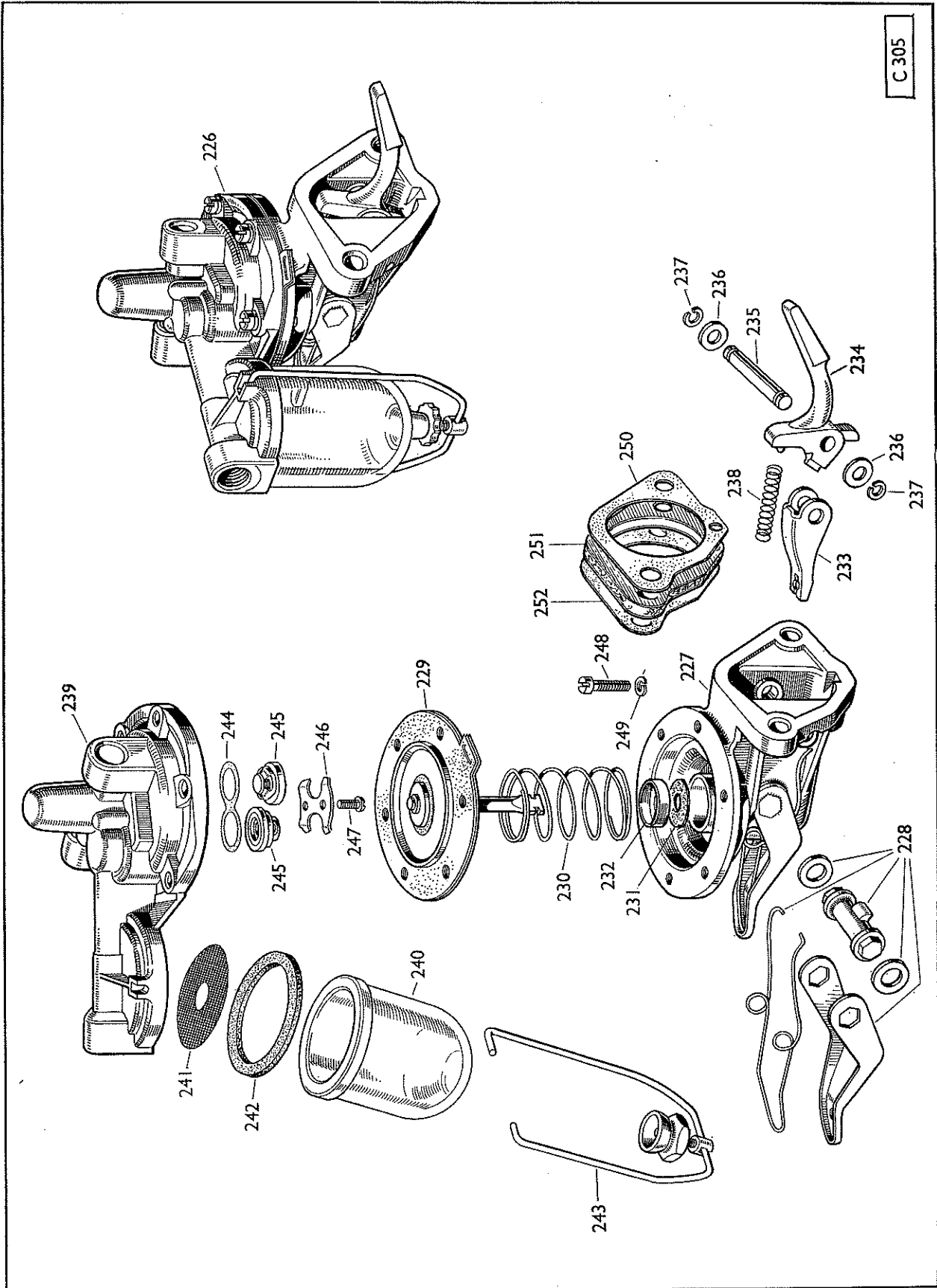
ENGINE UNIT AND AUXILIARIES - PETROL - 4 CYLINDER



C 304

PLATE E - SECTION A

ENGINE UNIT AND AUXILIARIES - PETROL - 4 CYLINDER



C 305

PLATE F - SECTION A

ENGINE UNIT AND AUXILIARIES - PETROL - 4 CYLINDER

C 306

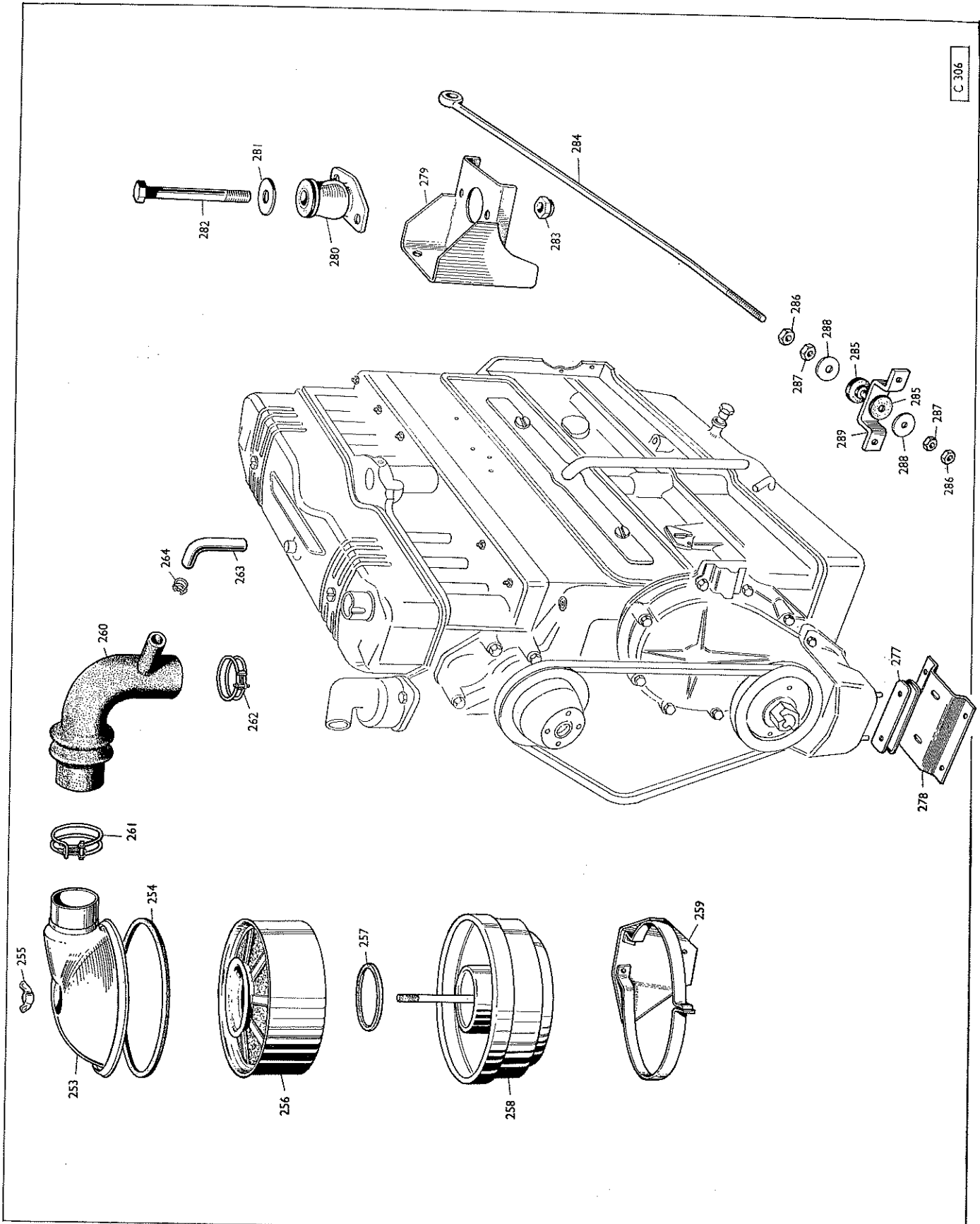


PLATE G - SECTION A

ENGINE UNIT – PETROL – 4 CYLINDER

Plate Ref.	Part Number	DESCRIPTION	No. per Veh.	REMARKS
		Serial numbers of engines listed in this section are prefixed as follows:—		
		SPSM – Plain bore		} Dynamo
		SPM – Chrome bore		
		SPSMA – Plain bore		} Alternator
		SPMA – Chrome bore		
	5200391 s/d 5200810	ENGINE – UNIT – PLAIN BORE – Stripped	1	} Vehicles fitted 9" clutch } See Note 1 – Page A8
	5200392	ENGINE – UNIT – CHROME BORE – Stripped	1	
	5200810	ENGINE – UNIT – PLAIN BORE – Stripped	1	} Vehicles fitted 10" clutch } See Note 2 – Page A8
	5200811	ENGINE – UNIT – CHROME BORE – Stripped	1	
		NOTE. Engine units are less the following: Dynamo, Starter, Distributor, Coil, Air cleaner, Carburetter, Fuel pump, Sparking plugs, Manifolds, Fan and Belt, Clutch. Replacement engine units are available in part exchange for the original.		
	5200653	ENGINE – SHORT – PLAIN BORE	1	
	5200652	ENGINE – SHORT – CHROME BORE	1	
		NOTE. Short engines comprise the following: Cylinder block, Crankshaft and bearings, Connecting rods, Big end bearing, Pistons, but less stem wheel bush.		
A1	P.48787	BLOCK – CYLINDER – Complete with bearing caps ..	1	Plain bore
	P.48541	BLOCK – CYLINDER – Complete with bearing caps ..	1	Chrome bore
	5105288	Liner – Cylinder (Plain bore)	1	} Service purposes } only
	P.113437	Liner – Cylinder (Chrome bore)	1	
	9146147	Plug – Dipstick hole	1	
	9805031	Plug – Cylinder block	2	
	9805050	Plug	2	
	9000027	Screw	2	
	9077016	Washer	2	
	9809340	Disc – Sealing	1	
A2	9101829	Cup – Sealing	2	
	9101839 s/d 79101859	Cup – Sealing	8	} Alternatives
A3	9101840 s/d 79101859	Cup – Sealing	8	
	79101859	Cup – Sealing	8	
B4	P.48295	Bearing – Camshaft – Front	1	
	P.48900	Bearing – Camshaft – Centre	1	
B5	P.48444	Bearing – Camshaft – Rear	1	
B6	P.115273	Bush – Distributor pinion	1	
A7	29900135	Stud – Main Bearing caps – Front and intermediate ..	4	} Early models only } Not supplied
A8	9608075	Nut	4	
	19007213	Bolt	4	
	9067046	Washer	4	
A9	29900106	Stud – Main Bearing caps – Rear	4	
	9608065 s/d 9034017	Nut	4	} Alternatives
A10	9614065	Nut	4	
	39033180	Screw – Bearing cap to base	2	
	P.78343	Packing – Front and Rear bearing caps	2	
B11	5109607	BEARING – MAIN – Front and Intermediate Std. Grade A	1 set	} See Note 3 – } Page A8
	5200921	BEARING – MAIN – Front and Intermediate Std. Grade B	1 set	
	5109608	Bearing – Main – .020" (.508 mm.) u/s – Front and intermediate	1 set	
	5109609	Bearing – Main – .040" (1.016 mm.) u/s	1 set	

ENGINE UNIT – PETROL – 4 CYLINDER

Plate Ref.	Part Number	DESCRIPTION	No. per Veh.	REMARKS
		ENGINE UNIT – continued		
		ENGINE – SHORT – continued		
B12	5109610	BEARING – MAIN – Rear Std. Grade A	1 set	} See Note 3 – Page A8
	5200922	BEARING – MAIN – Rear Std. Grade B	1 set	
	5109611	Bearing – Main – .020" (.508 mm.) u/s – Rear	1 set	
	5109612	Bearing – Main .040" (1.016 mm.) u/s	1 set	
B13	5109603	Washer – Thrust – Std. – Rear main bearing	2 prs	
	5109604	Washer – Thrust .005" (.1270 mm) o/s	2 prs	
B14	9146063	Pin – Dowel	2	
		NOTE. Each set comprises 4 halves.		
B15	5103962 s/d 71241602	PISTON – Complete – Standard – Grade A	4	Plain bore
	5103963	Piston – Complete – Standard – Grade A1	4	
	5103964 s/d 71241602	Piston – Complete – Standard – Grade B	4	
	5103965	Piston – Complete – Standard – Grade B1	4	
	5103966 s/d 71241602	Piston – Complete – Standard – Grade C	4	
	5103994	Piston – Complete .030" (.762 mm.) o/s	4	
B16	5105698	Ring – Compression – Top groove – Standard	4	
	5105702	Ring – Compression – Top groove .030" (.762 mm.) o/s	4	
B17	5105171	Ring – Compression – Second groove – Standard	4	
	5105175	Ring – Compression – Second groove .030" (.762 mm.) o/s	4	
B18	5105241	Ring – Scraper – Third groove – Standard	4	
	5105245	Ring – Scraper – Third groove .030" (.762 mm.) o/s	4	
B19	5105291	Ring – Scraper – Bottom groove – Standard	4	} Service purposes
	5105295	Ring – Scraper – Bottom groove .030" (.762 mm.) o/s	4	
B20	5105162	Pin – Gudgeon – Top limit	4	
	5105164	Pin – Gudgeon – Medium limit	4	
	5105163	Pin – Gudgeon – Bottom limit	4	
	5105165	Pin – Gudgeon .003" (.0762 mm.) o/s	4	
B21	9204013	Circlip	8	
	5107446	PISTON – COMPLETE – STANDARD – GRADE A	4	Chrome Bore
	5107447	Piston – Complete – Standard – Grade A1	4	
	5107448 s/d 71241603	Piston – Complete – Standard – Grade B	4	
	5107449 s/d 71241603	Piston – Complete – Standard – Grade B1	4	
	5107450 s/d 71241603	Piston – Complete – Standard – Grade C	4	
	P.88637	Ring – Compression – Top groove – Plain	4	
	P.88638	Ring – Compression – Second groove – Taper faced	4	
	P.88639	Ring – Scraper – Third groove	4	
	P.88781	Ring – Scraper – Bottom groove	4	Service purposes
	5105162	Pin – Gudgeon – Top limit	4	
	5105164	Pin – Gudgeon – Medium limit	4	
	5105163	Pin – Gudgeon – Bottom limit	4	
	5105165	Pin – Gudgeon .003" (.0762 mm.) o/s	4	
	9204013	Circlip	8	
B22	P.94494	ROD – CONNECTING	4	
	P.53622 s/d 1238479	Bolt	8	
B23	1238479	Bolt	8	
B24	9600065	Nut – Plain	8	Use with P.53622
	9034017	Nut – Nyloc	8	Use with 1238479
B25	P.53623	Tab washer	8	Use with P.53622
B26	P.88246 s/d 5200892	Bush – Small end	4	
B27	5109598	BEARING – BIG END – STANDARD – GRADE A	1 set	} See Note 3 – Page A8
	5200923	BEARING – BIG END – STANDARD – GRADE B	1 set	
	5109599	Bearing – Big end .020" (.508 mm.) u/s	1 set	
	5109600	Bearing – Big end .040" (1.016 mm.) u/s	1 set	
		NOTE. Bearing set comprises 8 halves.		

ENGINE UNIT – PETROL – 4 CYLINDER

Plate Ref.	Part Number	DESCRIPTION	No. per Veh.	REMARKS
		ENGINE UNIT – continued		
		ENGINE – SHORT – continued		
B28	5105738	CRANKSHAFT – Grade A	1	See Note 3 – Page A8
B29	P.54339 s/d 1235019	Gear – Crankshaft	1	See Note 4 – Page A8
	1235019	Gear	1	See Note 5 – Page A8
B30	P.53621	Key – Crankshaft gear	1	
B31	1207058	Pulley – Crankshaft	1	Dynamo models
	P.106682	Pulley	1	Alternator models
B32	P.88847	Guard – Oil	1	For use with P54339
		NOTE. The above guard must not be used with Gear 1235019.		
B33	P.58565	Nut – Jaw – Starting handle	1	
B34	1201031	Washer – Jaw nut	1	
B35	9198005	Bearing – Stem wheel	1	
A36	P.55383	Plate – Support – Front	1	
A37	P.27747	Gasket – Support plate to cylinder block	1	
	19005055	Screw	2	
	9661203	Washer	2	
A38	5200388	Bracket – Engine support	1	
A39	W.13941	Stud	2	
	19105121 s/d 19105122	Bolt – Support bracket to cylinder block	4	
	9661203	Washer	4	
	9510051 s/d 5221350	Nut	4	
B40	P.107358	FLYWHEEL – Complete with gear	1	} See Note 1 – Page A8
B41	P.77999	Gear – Flywheel	1	
	1219959	FLYWHEEL – Complete with gear	1	} See Note 2 – Page A8
	P.77999	Gear – Flywheel	1	
	1238097	FLYWHEEL – Complete with gear	1	} Associated British Foods See Note 2 – Page A8
	1238098	Gear – Flywheel	1	
		NOTE. A replacement Flywheel and gear is available in part exchange for the original.		
B42	9146142	Dowel – Flywheel to crankshaft	2	
	19006083	Bolt	4	
B43	9084129	Lockplate	4	
B44	P.107739	CAMSHAFT	1	
B45	P.53603 s/d P.118771	Plate – Camshaft thrust	1	
	19004045	Screw – Thrust plate to cylinder block	2	
	9067015	Washer	2	
B46	P.53632	Gear – Camshaft	1	
B47	9213008	Key – Camshaft gear to camshaft	1	
B48	19006065	Screw	1	
B49	9096046	Washer	1	
B50	P.55844	Lockwasher	1	
B51	9226041	CHAIN – TIMING	1	
B52	P.83498	Jet – Oil – Timing chain	1	
B53	9600051	Nut – Oil jet to cylinder block	1	
B54	P.87642	Blade – Chain tensioner	1	
B55	P.83802	Pin – Pivot – Blade to cylinder block	1	
B56	9067014	Washer	1	
A57	P.106687	COVER – TIMING	1	
A58	P.78651	Oil seal – Timing cover	1	
	69204071	Rivet	6	

ENGINE UNIT – PETROL – 4 CYLINDER

Plate Ref.	Part Number	DESCRIPTION	No. per Veh.	REMARKS	
C120	P.104909	Plate – Cover – Water pump	1		
C121	P.104008	Gasket – Cover plate to pump	1		
	19005100	Bolt	1		
	19005160	Bolt	1		
	9661203	Washer	2		
C122	5220253 s/d 1240035	Gasket – Water pump to cylinder head	1	See Note 6 – Page A8	
	1240035	Gasket	1	See Note 7 – Page A8	
	19005180	Bolt	2		
	19005120	Bolt	1	2 off from SPM2210 and SPSM2269	
	19005260	Bolt	2		
	19005140	Bolt	1		
	9067024 s/d 5200482	Washer	2		
	19005055	Bolt	2		
	9661203	Washer	7		
C123	5220410 s/d 1218672	THERMOSTAT	1		
C124	W.15085	Housing – Thermostat	1		
C125	P.102579	Gasket	1		
	9600051	Nut – Housing to water pump	2	} Early models	
	9661203	Washer	2		
	19005065	Setscrew	2		
	P.48500 s/d 5200968	KIT – WATER PUMP REPAIR – includes items	1		Late models
	5200968	KIT – WATER PUMP REPAIR – includes items	1	See Note 6 – Page A8	
		TRANSMITTER – TEMPERATURE	1	See Note 7 – Page A8	
A126	P.104892	Cover – Tappet complete with breather pipe	1	See Electrical section	
	71261930	Cover	1	Up to chassis 313393	
A127	P.103904	Gasket – Tappet cover to cylinder head	1	From Chassis 313394	
A128	29900047	Stud	2		
A129	P.103903	Nut – Cap	2		
A130	9078019	Washer – Fibre	2		
	P.104065	FILTER – OIL – BYPASS TYPE	1		
C131		Body		} Not supplied	
C132	K.23855	Element	1		
C133	9122173	Gasket – Cover	1		
C134	K.25854	Gasket – Sealing – Element	1		
C135	9000105	Bolt – Cover retaining	1		
C136	9077021	Gasket – Bolt	1		
	K.22447	Spring – Element retaining	1		
C137	P.104066	Gasket – Filter to cylinder block	1		
	19006075	Screw	2		
	9661241 s/d 5221254	Washer	2		
C138	9151210	Union – Oil filter	1		
C139	9078019	Washer – Union	1		
C140	P.104067	Pipe – Oil – Filter to block	1		} No longer supplied
C141	9156056	Nut	1		
C142	9156054	Nut	1		
C143	9157104	Olive	2		
D144	P.102587	Pipe – Oil – Rocker feed	1		
D145	9156054	Nut	2		
D146	9157104	Olive	2		
CD147	9154013	Elbow – Union – Oil pipe	3		
		SWITCH – OIL PRESSURE		} See Electrical section	
	9217325	Adaptor – Oil pressure switch	1		
	9078016	Washer	1		

ENGINE UNIT – PETROL – 4 CYLINDER

Plate Ref.	Part Number	DESCRIPTION	No. per Veh.	REMARKS
		ENGINE UNIT – continued		
A148	P.104888	COVER – ROCKER	1	Up to Chassis 313393 From Chassis 313394
	71261931	COVER	1	
A149	P.103905	Gasket – Rocker cover to cylinder head	1	
A150	29900052	Stud	2	
A151	P.103903	Nut – Cap	2	
A152	9078019	Washer	2	
D153	P.110440 s/d 1115105	CAP – OIL FILLER AND BREATHER	1	For P.104888 Cover For 71261931 Cover
	1207074	CAP	1	
	1240090	CAP – OIL FILLER	1	Dodge and Fargo models
D154	1207021	Dipstick	1	
D155	1207022	Tube – Extension – Dipstick	1	
D156	1207024 s/d 9176033	Clip	1	Early models
	19004055	Screw	1	
	9660163	Washer	1	Late models
	9600041	Nut	1	
	9176033	Clip	1	
	19005035	Screw – Plugging dipstick hole	1	
	9078012	Washer	1	
A157	5200369	HOUSING – FLYWHEEL AND CLUTCH	1	
	29808164	Stud – Housing to gearbox	4	
	9660323	Washer	4	
	9510080	Nut	4	
	9146142	Dowel – Clutch housing to cylinder block	2	
	19006280	Bolt	2	
	19006080	Bolt	6	
	9661241 s/d 5221254	Washer	8	
	P.107669	Plug – Timing indicator	1	
	9661241 s/d 5221254	Washer	1	
A158	3049881	Cover – Bottom – Front	1	
A159	3073888	Cover – Bottom – Rear	1	
	19004045	Screw – Rear cover to cylinder block	2	
	9660163	Washer	2	
	19504042	Setscrew – Front cover to rear cover	4	
	9664163	Washer	4	
	9510041	Nut	4	
	19604041	Setscrew – Front cover to clutch housing	2	
	9660163	Washer	2	
	19605051	Setscrew – Rear cover to clutch housing	A/R	
	9660203	Washer	8	
	19605071	Setscrew	2	From Chassis KA - 006717 CKD KA - 700967
	3058288	Bracket – Exhaust support	1	
	3023862	Packing – Support	1	
D160	9214041	Tap – Drain	1	Up to Engine No. SPM2209 SPSM2268
	19004035	Screw – Plugging bracket holes	2	
	9078008	Washer – Screw	2	
D161	1207026	Bracket – Drain Tap fixing	1	
D162	1208734	Rod – Drain Tap control	1	
D163	9843114	Pin	1	
D164	P.22752	Spring	1	
	9067023	Washer	1	
	9214000	Tap – Drain – Integral control	1	From Engine Nos. SPM2210 SPSM2269

ENGINE UNIT – PETROL – 4 CYLINDER

Plate Ref.	Part Number	DESCRIPTION	No. per Veh.	REMARKS
		<p>ENGINE UNIT – continued</p> <p>NOTE 1. Vehicles fitted with 9" clutch up to chassis numbers listed in Note 2.</p> <p>NOTE 2. Vehicles fitted with 10" clutch from the following chassis numbers:- KA3023 – 004430 Chrome bore KA3023 – 004523 Plain bore KA4023 – 002292 Chrome bore KA4023 – 002304 Plain bore KA4035 – 002486 Chrome bore KA4035 – 002484 Plain bore</p> <p>NOTE 3. Graded crankshafts and bearings introduced from the following engine numbers:- SPSMA442 Plain bore SPMA313 Chrome bore</p> <p>NOTE 4. Fitted up to engine number listed in Note 5.</p> <p>NOTE 5. Fitted from the following engine numbers:- SPSM1495 Plain bore SPM1702 Chrome bore</p> <p>NOTE 6. Fitted up to engine numbers listed in Note 7.</p> <p>NOTE 7. Fitted from the following engine numbers:- SPSMA710TS Plain bore SPMA711TS Chrome bore</p> <p>Please note that 5200377 Cylinder head assembly (with P106304 Water Trough) has been superseded by 5200965 Cylinder Head assembly (less Water Trough). When using latest cylinder head, it will also be necessary to fit 1240034 Cylinder head gasket and 1240035 Water pump to cylinder head gasket, 1 off each.</p>		

ENGINE AUXILIARIES - PETROL - 4 CYLINDER

Plate Ref.	Part Number	DESCRIPTION	No. per Veh.	REMARKS
	P.48883 s/d 5200967 5200967	GASKETS - TOP OVERHAUL SET GASKETS	1 1	See Note 1 - Page A15 See Note 2 - Page A15
		NOTE. The above gasket sets include Cylinder head, Rocker cover, Cylinder head end cover, Tappet cover, Water pump, Thermostat housing, Manifold, Exhaust pipe gaskets, and Valve cup sealing rings.		
# D165	1207025 1201094	MANIFOLD - INDUCTION	1	Up to engine Nos. SPSMA5534 and ABFC68
#	75221467	MANIFOLD	1	From engine Nos. SPSMA5535 and ABFC69
	9805040	Plug	1	
D166	P.102588	Ring - Locating - Induction manifold	2	
D167	1228107	MANIFOLD - EXHAUST	1	
D168	29900289	Stud - Exhaust pipe flange	4	
D169	1207083 s/d 1214743	Gasket - Induction to exhaust manifold	1	
# D170	29900058	Stud	4	} For 1207025
#	9660203	Washer	4	
#	9600051	Nut	4	
		Bolt Not supplied		
D171	P.104069 s/d 1218671	Gasket - Induction and exhaust manifold to cylinder head ..	1	For 75221467
	1218671	Gasket	1	Up to engine No. SPSG218
D172	29900075	Stud	4	From engine No. SPSG219
# D173	29900398	Stud	2	For 1207025
#	79008064	Stud	2	For 75221467
	9067037	Washer	6	
	9661241 s/d 5221254	Washer	6	
	9600061 s/d 5220216	Washer	6	
D174	P.48545	Pipe - Drain - Manifold	1	} Up to engine Nos. SPM1263, SPSM1024
D175	9154013	Elbow union	1	
	P.47665	Pipe - Drain - Manifold	1	} From engine Nos. SPM1264 SPSM1025
	9156515	Nut - Drain pipe	1	
	9157104	Olive	1	
	9178029	Clip	1	
	1208736	CARBURETTOR	1	Banjo connection
	1800736	CARBURETTOR	1	
E176	5039307	Chamber - Throttle	1	
E177	K.12541	Spindle - Throttle	1	
E178	K.25990	Butterfly	1	
E179	9050003	Screw - Butterfly to spindle	2	
E180	K.25992	Plate - Abutment	1	
E181	K.12599 s/d 5039460	Screw - Slow running	1	
E182	K.11432	Spring - Slow running screw	1	
E183	5039452	Screw - Throttle stop	1	
E184	9029000	Nut - Throttle stop screw	1	
E185	K.11445	Nut - Throttle spindle end	1	
E186	K.26027	Washer - Distance - Throttle spindle	1	
E187	K.11431	Screw - Volume control	1	
E188	K.11432	Spring - Volume control screw	1	

Refer P114499 2 with cork 36w.1A/2 = Hooks Port Fuel.

ENGINE AUXILIARIES – PETROL – 4 CYLINDER

Plate Ref.	Part Number	DESCRIPTION	No. per Veh.	REMARKS
		CARBURETTOR – continued		
E189	K.25991	Gasket – Throttle chamber to float chamber..	1	
	9050017 s/d 9050013	Screw	4	
	5039308	Starter assembly	1	
* E190	5039309 s/d 5039308	Valve assembly	1	
E191	K.12546	Ball – Valve locating	1	No longer supplied
E192	5039311	Spring	1	
E193	5039310	Cover – Starter	1	
E194	5039312	Lever – Starter	1	
E195	K.26027	Washer – Distance – Starter spindle	1	
E196	K.11445	Nut – Starter spindle end	1	
E197	K.11446	Clip – Cable support	1	No longer supplied
E198	K.11447	Screw – Cable clip	1	No longer supplied
	K.22762	Screw – Starter to throttle chamber	4	
E199	K.25993	Chamber – Float	1	
E200	K.25994	Float	1	
E201	K.25996	Arm – Float	1	
E202	K.25995	Spindle	1	
E203	K.25997	Gasket – Cover to float chamber	1	
	9050018 s/d 9000057	Screw	3	
E204	K.25998	Cover – Float chamber	1	
E205	5102558	Valve – Needle (1.5 mm.)	1	
E206	K.12555 s/d 9078074	Washer – Needle valve	1	
E207	5102685	Tube – Choke	1	
E208	K.11423	Screw – Choke tube to float chamber	1	
E209	5102515	Jet – Main (110)	1	
E210	K.13026	Bolt – Carrier – Main jet.. .. .	1	
E211	K.12553	Washer – Main jet carrier bolt	1	
E212	5102583	Jet – Correction (200)	1	
E213	5107411	Tube – Emulsion	1	
E214	5102488	Jet – Auxiliary (55)	1	
E215	5102696	Jet – Auxiliary – Air bleed (150)	1	
E216	5102652	Jet – Starter (120)	1	
E217	9078015	Washer – Starter jet	1	
E218	K.26001	Plate – Blanking – Pump	1	
	9050003	Screw – Blanking plate	4	
E219	9159008	Union – Banjo	1	
E220	9159512	Bolt – Banjo union	1	
E221	P.55983	Filter – Banjo union	1	
E222	9078024	Washer – Large – Banjo union.. .. .	1	
E223	9078023	Washer – Small	1	
E224	P.103781	Gasket – Carburettor to induction manifold	1	
D225	29900033	Stud	2	
	9660203	Washer.. .. .	2	
	9600051	Nut	2	
F226	P.45061	PUMP – FUEL – “UE” TYPE	1	
F227	K.11785	Body and primer	1	
F228	K.18847	Set – Priming lever	1	
	K.18380	Spring – Priming lever	1	
F229	K.21471 s/d 5059470	Diaphragm	1	Up to engine number SPM1140 SPSM878
F230	K.10482	Spring – Diaphragm	1	
F231	K.17853	Washer – Oil seal	2	
F232	K.20322	Cap	1	
F233	K.10481	Link – Rocker arm	1	
F234	K.24105	Arm – Rocker No longer supplied	1	

ENGINE AUXILIARIES – PETROL – 4 CYLINDER

Plate Ref.	Part Number	DESCRIPTION	No. per Veh.	REMARKS
		PUMP – FUEL – "UE" TYPE – continued		
F235	K.9033	Pin – Rocker arm	1	Up to engine number SPM1140 SPSM878
F236	5220199	Washer – Rocker arm pin	2	
F237	5220201	Clip	2	
F238	K.9039	Spring – Rocker arm	1	
F239		Body – Upper Not supplied		
F240	K.1566	Bowl – Filter	1	
F241	K.1567	Filter	1	
F242	K.25579	Gasket – Filter bowl	1	
F243	K.2689	Retainer – Filter bowl	1	
F244	K.19265	Gasket – Valve retainer	1	
F245	K.19263 s/d 5043668	Valve	2	
F246	K.19264	Retainer – Valve	1	
F247	9050095	Screw – Valve retainer	2	
F248	39303100 s/d 39313101	Screw – Body upper to body and primer	6	
F249	9660123	Washer	6	
	1800468	PUMP – FUEL – "UG" TYPE	1	Fitted from engine numbers SPM1141 SPSM879
	K.18434	Body and primer No longer supplied	1	
	K.18847	Set – Priming lever	1	
	K.18380	Spring – Priming lever	1	
	K.21471 s/d 5059470	Diaphragm	1	
	K.17853 s/d 75061107	Washer – Oil seal	2	
	K.20322	Cup	1	
	K.10481	Link – Rocker arm	1	
	K.24105	Arm – Rocker No longer supplied	1	
	K.9033	Pin – Rocker arm	1	
	5220199	Washer – Rocker arm pin	2	
	5220201	Clip – Rocker arm pin	2	
	K.9039	Spring – Rocker arm	1	
		Body – Upper Not supplied		
	K.19256	Bowl – Filter	1	
	K.19257	Filter	1	
	K.19258	Gasket – Filter bowl	1	
	K.19260	Retainer – Filter bowl	1	
	K.19265	Gasket – Valve retainer	1	
	K.19264	Retainer – Valve	1	
	9050095	Screw – Valve retainer	1	
	K.29656	Gasket – Valves Staked valve condition	2	
	K.19263 s/d 5043668	Valve	2	
	39303100 s/d 39313101	Screw – Body upper to body and primer	6	
	9660123	Washer	6	
		NOTE. A replacement Fuel Pump is available in part exchange for original.		
F250	P.41602	Gasket – Insulator to block	1	
F251	P.102144	Insulator	1	
F252	P.44994	Gasket – Pump to insulator	1	
	19005070	Bolt – Fuel pump to block	2	
	9660203	Washer	2	
		FUEL PIPES AND FIXINGS – See Fuel system section.		
	3049490	SILENCER AND CLEANER – AIR	1	
G253	5039244	Cover	1	
G254	K.13639	Gasket – Cover	1	
G255	9023007	Wing nut	1	
	9078077	Washer – Wing nut	1	

ENGINE AUXILIARIES – PETROL – 4 CYLINDER

Plate Ref.	Part Number	DESCRIPTION	No. per Veh.	REMARKS
		SILENCER AND CLEANER – AIR – continued		
G256	K.18344	Element	1	
G257	K.16818	Gasket – Element seating	1	
G258	5039245	Container – Oil	1	
G259	3049487	Bracket – Air cleaner mounting	1	
	19505081	Setscrew – Mounting bracket clamping	1	
	9660203	Washer	1	
	9510051	Nut	1	
	19504052	Setscrew – Mounting bracket to dash	4	
	9660163	Washer	4	
G260	3049482	Hose – Air cleaner to carburettor	1	
G261	9782421	Clip – Hose to air cleaner	1	
G262	9782371	Clip – Hose to carburettor	1	
G263	3017664	Pipe – Vent – Rocker breather	1	
G264	9782091	Clip – Vent pipe	1	
C265	P.104910	FAN	1	Home
	W.46911	FAN	1	Export
C266	P.111596	Pulley – Fan – Dynamo	1	See Note 3 – Page A15
	P.104106	Pulley – Fan – Alternator	1	See Note 4 – Page A15
	19004055	Screw – Fan and pulley to fan centre	4	
	9660163	Washer	4	
D267	1208742 s/d 9226530	Belt – Fan and dynamo	1	Except N.A.S.
	3022444	Belt For use with C40L Dynamo	1	N.A.S.
	1238517 s/d 1802518	Belt – Fan and alternator	1	
	9226583 s/d 1802518	Belt	1	
	1802518	Belt	1	
		DISTRIBUTOR – See Electrical section		
B268	1206912	Shaft – Distributor	1	
B269	P.22161	Coupling	1	
B270	9843412	Pin – Coupling	1	
D271	1203999	Bracket – Distributor	1	
	9067014	Washer – Distributor to bracket	2	Alternative fixings
	9661163	Washer	2	
	9600041	Nut	2	
	19004055	Screw	2	
	9067014	Washer	2	
	9661163	Washer	2	
	29900029	Stud – Distributor bracket to cylinder head	2	
	9660203	Washer	2	
	9600051	Nut	2	
	P.48543	Pipe – Suction control – “Screw-on” connection	1	
	9157000	Nipple	1	
	9156001	Nut	1	
	9156500	Sleeve nut	1	
	9157100	Olive	1	For use with 1238455
	1238455	Pipe – Suction control – Push on connection distributor end	1	
	9156500	Sleeve nut – Carburettor end	1	
	9157100	Olive	1	Early models
	1238527 s/d 1218539	Elbow – Pipe to distributor	1	
	9179007	Clip – Suction pipe to water pump	1	Late models
	9179006	Clip – Suction pipe to rear cover	1	
	9067014	Washer	2	

ENGINE AUXILIARIES – PETROL – 4 CYLINDER

Plate Ref.	Part Number	DESCRIPTION	No. per Veh.	REMARKS
		COIL – IGNITION – See Electrical section.		
		PLUG – SPARKING		
D272	P.107820	Bracket – Ignition coil	1	
	9067014	Washer – Coil to bracket	2	
	9660163	Washer	2	
	9600041	Nut	2	
	19005065	Screw – Bracket to cylinder block	2	
	9661203	Washer	2	
		DYNAMO – See electrical section		See Note 3 – Page A15
D273	1207017	Pulley – Dynamo	1	
D274	1214625	Ventilator	1	
	19005080	Bolt – Dynamo to support bracket	2	
	9660203	Washer	2	
	9600051	Nut	2	
D275	P.106379	Bracket – Support – Dynamo	1	
	9000089	Bolt – Support bracket to cylinder block	4	
	9660203	Washer	4	
D276	P.106381	Strap – Adjusting – Dynamo	1	
	19005065	Screw – Adjusting strap to water pump	1	
	9660203	Washer	1	
	19605071	Screw – Adjusting strap to dynamo	1	
	9067027	Washer	1	
	3022445	Bracket – Support – Dynamo	1	} N.A.S. for use with C40L dynamo
	3022443	Strap – Adjusting	1	
	1207017	Pulley – Dynamo	1	See Note 4 – Page A15
		ALTERNATOR – See electrical section		
		VENTILATOR – ALTERNATOR – See electrical section		
	1238515	Pulley – Ventilator	1	} Early models
	19005080	Bolt – Alternator to support bracket	1	
	19005100	Bolt	1	
	9660203	Washer	1	
	9600051	Nut	1	
	19005090	Bolt – Alternator front lug to bracket	1	} Late models
	9068014	Washer	1	
	9661203	Washer	1	
	9600051	Nut	1	
	19005110	Bolt – Alternator rear lug to bracket	1	} Late models
	9068013	Washer	1	
	9661203	Washer	1	
	9600051	Nut	1	
	1238514	Bracket – Support – Alternator	1	
	9000089	Bolt – Support bracket to cylinder block	4	
	9660203	Washer	4	
	1238516	Strap – Adjusting – Alternator	1	
	9088054	Distance piece – Adjusting strap to front plate	1	
	19005110	Bolt	1	
	9661203	Washer	1	
	9600050	Nut	1	
	19605061	Screw – Adjusting strap to alternator	1	
	9067027	Washer	1	

ENGINE AUXILIARIES – PETROL – 4 CYLINDER

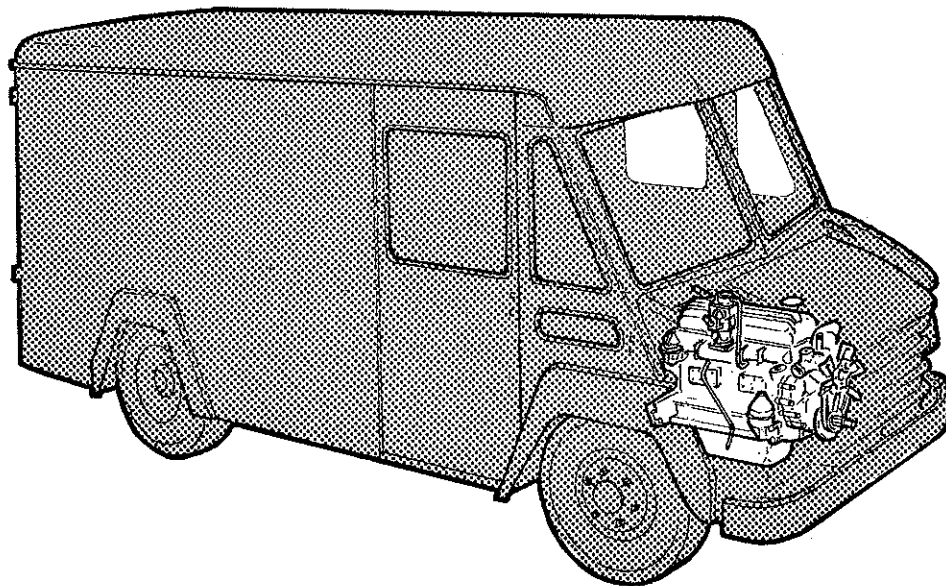
Plate Ref.	Part Number	DESCRIPTION	No. per Veh.	REMARKS
		STARTER – See electrical section		
	3017665	Cover – End – Starter	1	
	19604051	Setscrew – End cover fixing	2	
	9660163	Washer	2	
	3022326	Packing piece	1	
	19606121	Screw – Starter to clutch housing	2	
	9661241 s/d 5221254	Washer	2	
	1200231	Packing piece	1	
	1238099	Packing piece	1	Associated British Foods only
		OIL PRESSURE UNIT – See electrical section		
G277	3017661	MOUNTING – RUBBER – ENGINE – FRONT	1	
	9510060 s/d 5220703	Nut – Mounting rubber to support bracket	2	
	9660243	Washer	2	
	9067036	Washer	2	
	19506061	Setscrew – Mounting rubber to plate	2	
	9510060 s/d 5220703	Nut	2	
	9660243	Washer	2	
G278	3049456	Plate – Mounting– Engine – Front	1	
	19506061	Setscrew – Mounting plate to frame	4	
	9510060 s/d 5220703	Nut	4	
	9660243	Washer	4	
G279	3049467	Bracket – Mounting – Engine – Rear	2	
	19607092	Setscrew – Bracket to bell housing	8	
	9660283	Washer	8	
G280	W.14798	MOUNTING RUBBER – REAR	2	
G281	W.12873	Washer – Rebound	2	
G282	19110281	Bolt – Mounting rubber	2	
G283	9551103 s/d 9571103	Nut	2	
	19506061	Setscrew – Mounting rubber to mounting bracket	4	
	9510060 s/d 5220703	Nut	4	
	9660243	Washer	4	
G284	3020559	ROD – TIE	1	
G285	P.56418	Grommet – Tie rod to support bracket	1	Comprises 2 halves
G286	9520050	Locknut	2	
G287	9510051 s/d 5221350	Nut	2	
G288	9067031	Washer	2	
G289	3018320	Support – Tie rod – Rear	1	
	19506071	Setscrew – Support to crossmember	2	
	9660243	Washer	2	
	9510060 s/d 5220703	Nut	2	
	19406121	Bolt – Tie rod to clutch housing	1	
	9067039	Washer	2	
	9664243	Washer	1	

ENGINE AUXILIARIES – PETROL – 4 CYLINDER

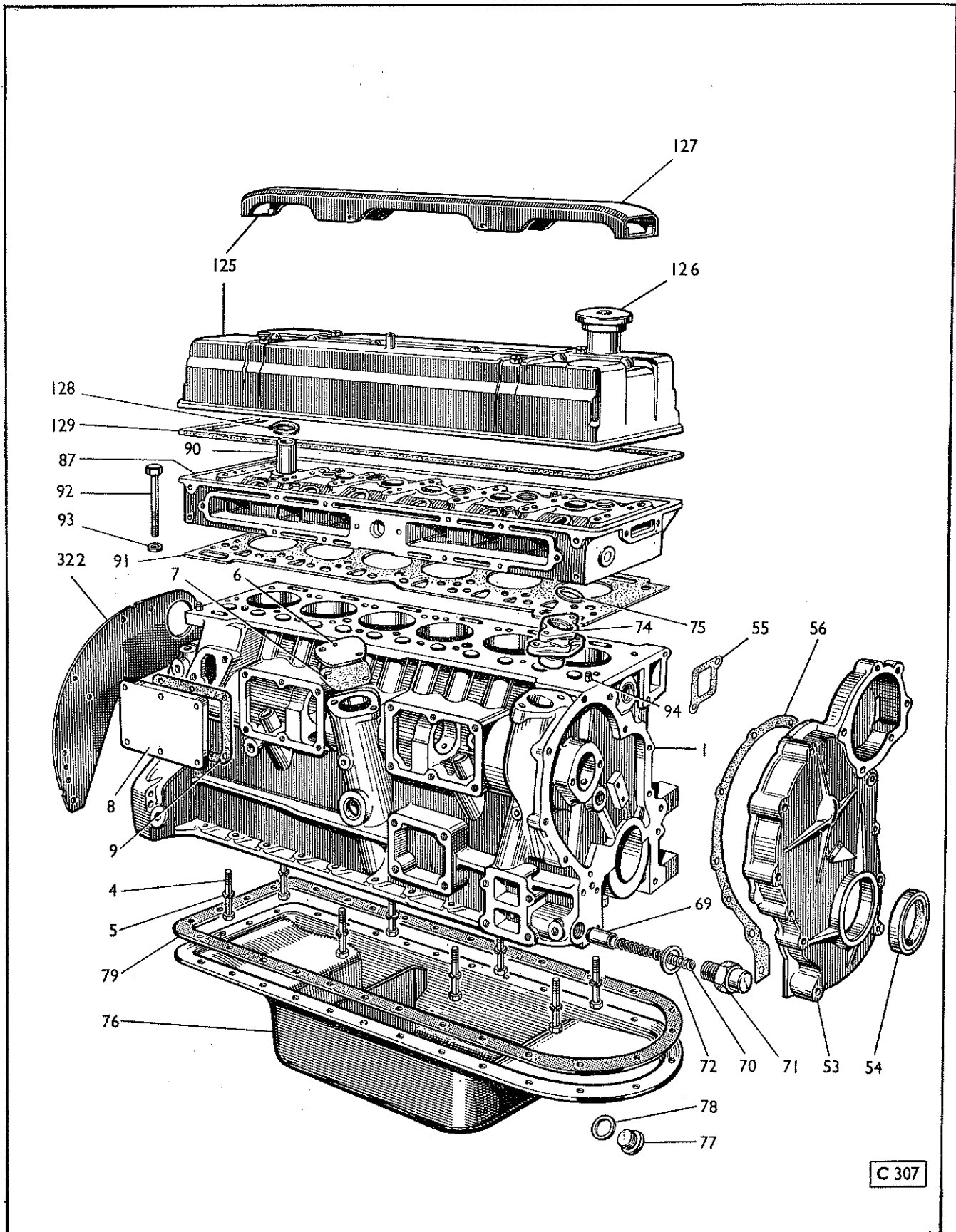
Plate Ref.	Part Number	DESCRIPTION	No. per Veh.	REMARKS
		<p style="text-align: center;">NOTES</p> <p>NOTE 1. Fitted up to engine numbers listed in Note 2.</p> <p>NOTE 2. Fitted from the following engine numbers SPSMA 710TS Plain bore SPMA 711TS Chrome bore.</p> <p>NOTE 3. Fitted up to engine numbers listed in Note 4.</p> <p>NOTE 4. Alternator introduced as standard equipment on K.A. models from the following engine numbers SPSMA 26 Plain bore SPMA 17 Chrome bore and the following chassis numbers KA 011905 PLAIN BORE KA 011 738 CHROME BORE CKD KA 700921 PLAIN BORE CKD KA 700921 CHROME BORE</p>		

SECTION AB

ENGINE UNIT AND AUXILIARIES PETROL—6 CYLINDER



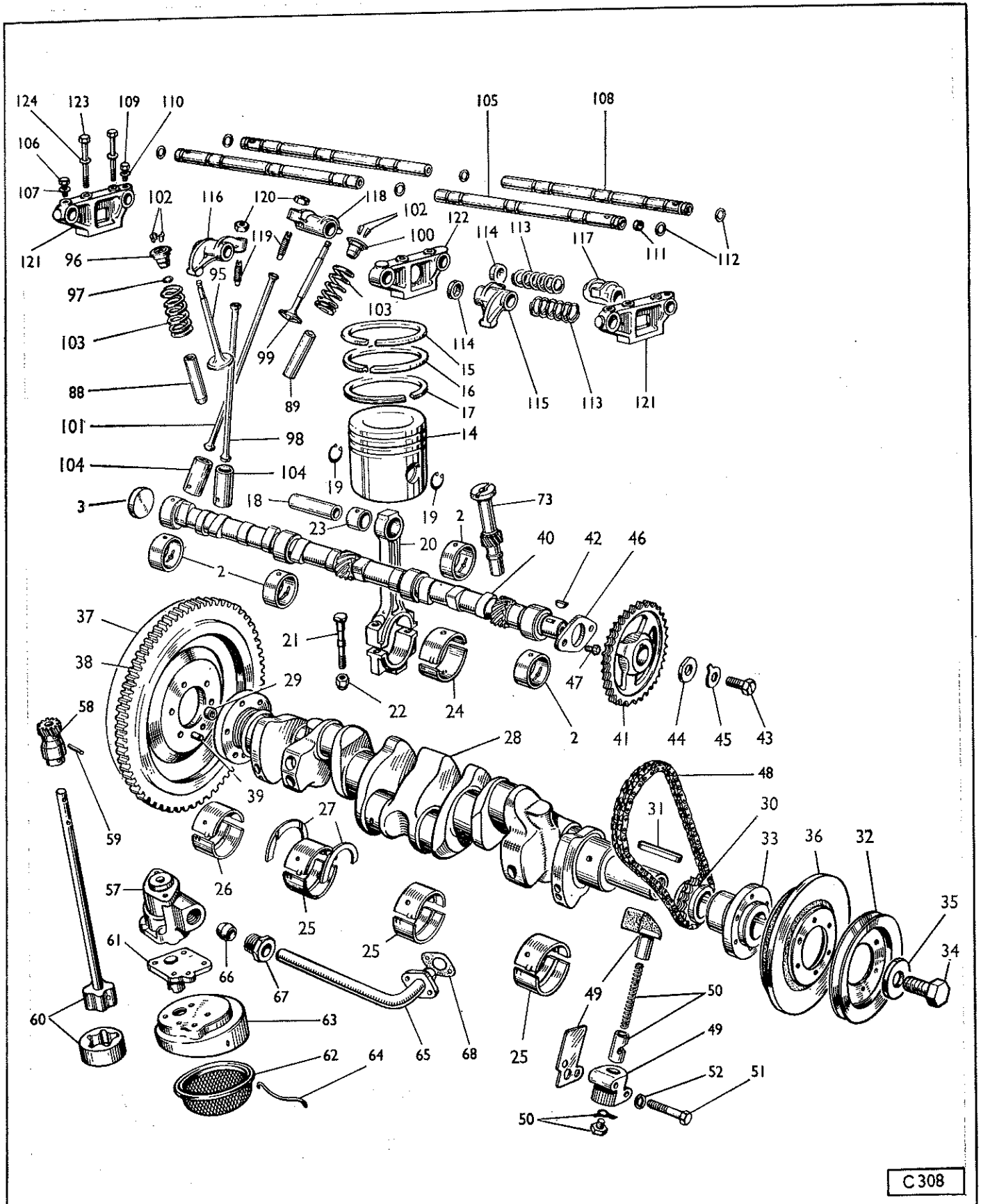
ENGINE UNIT AND AUXILIARIES - PETROL - 6 CYLINDER



C 307

PLATE A - SECTION AB

ENGINE UNIT AND AUXILIARIES - PETROL - 6 CYLINDER



C 308

PLATE B - SECTION AB

ENGINE UNIT AND AUXILIARIES - PETROL - 6 CYLINDER

C 309

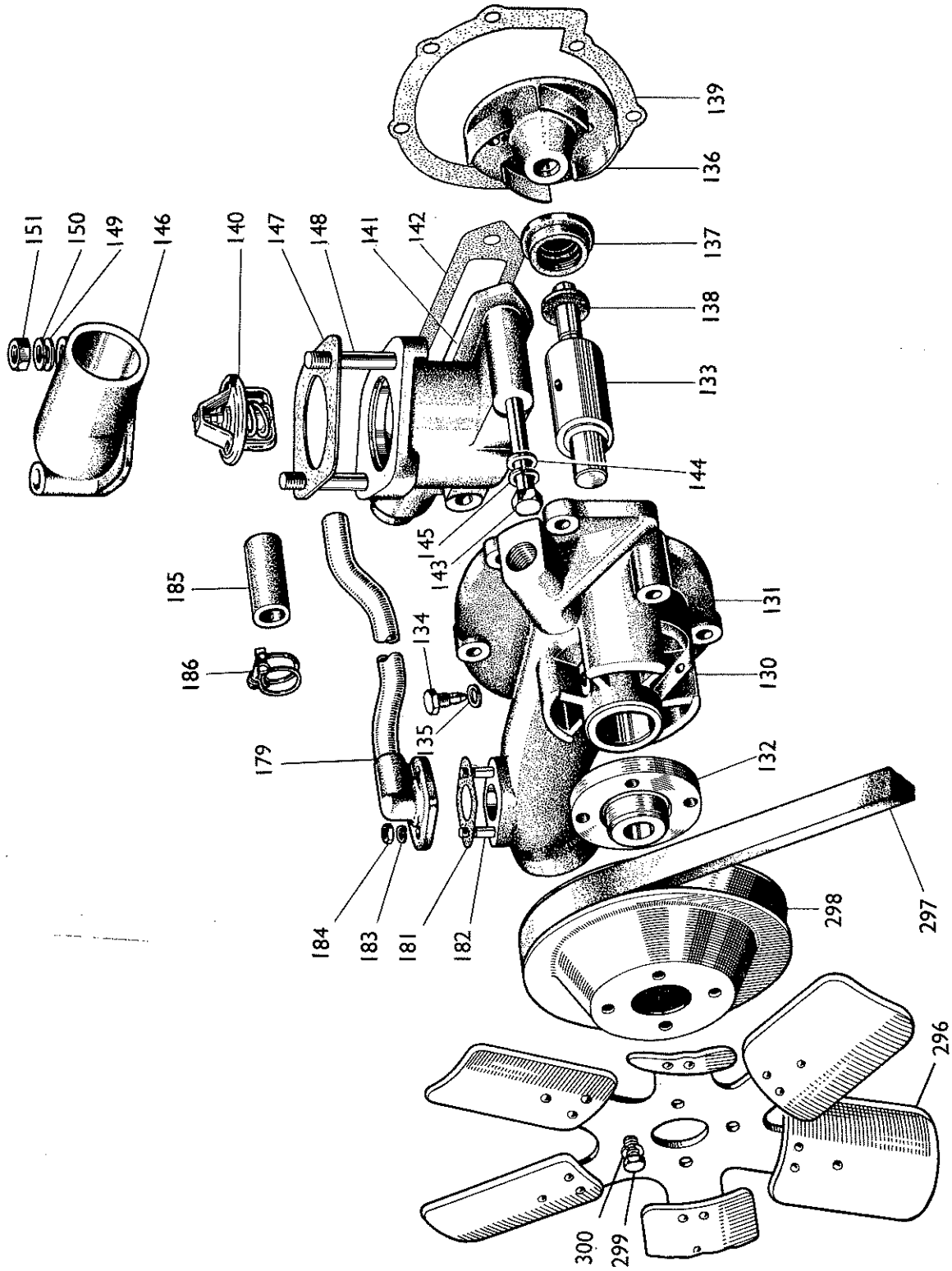


PLATE C - SECTION AB

ENGINE UNIT AND AUXILIARIES - PETROL - 6 CYLINDER

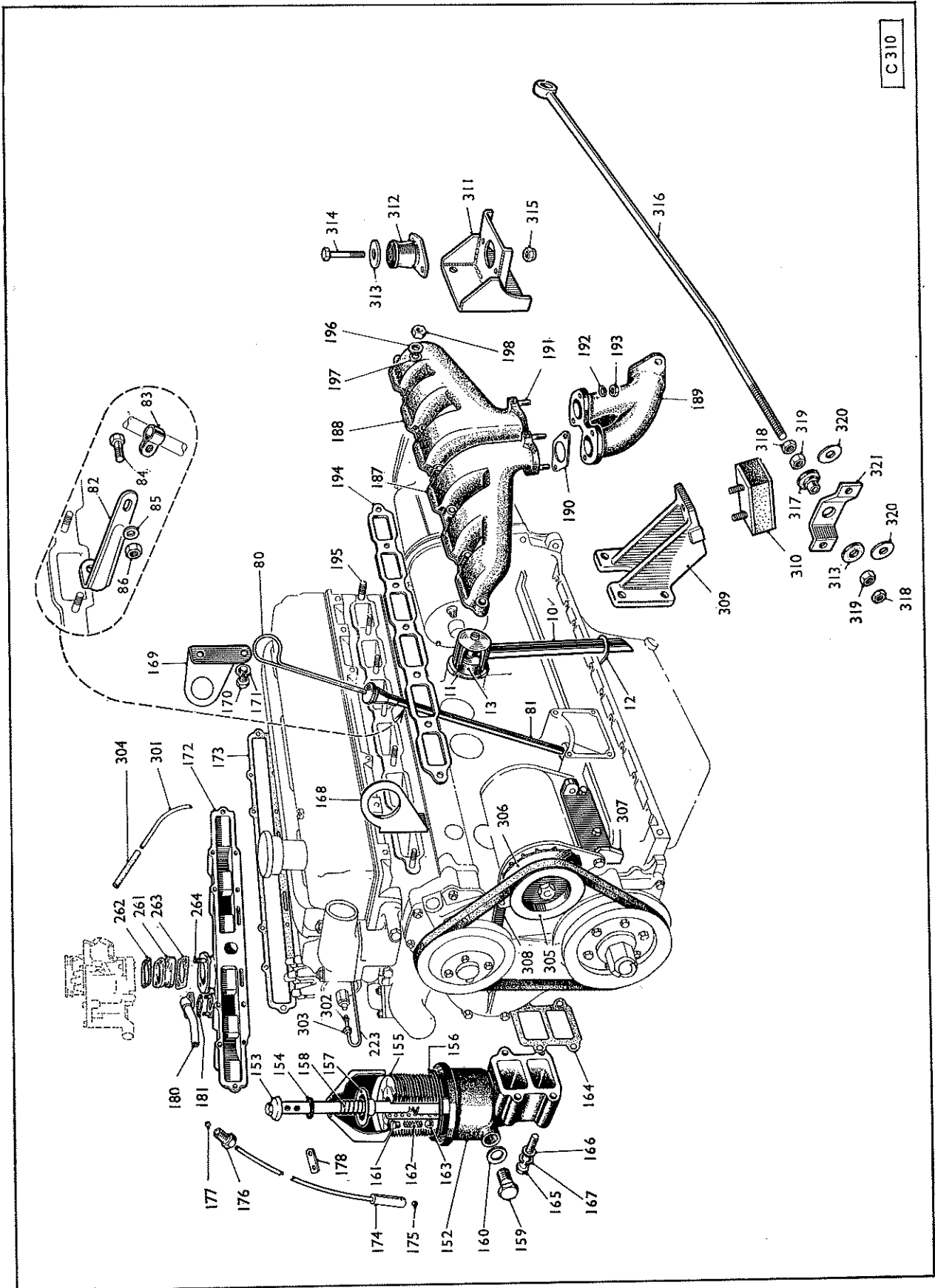
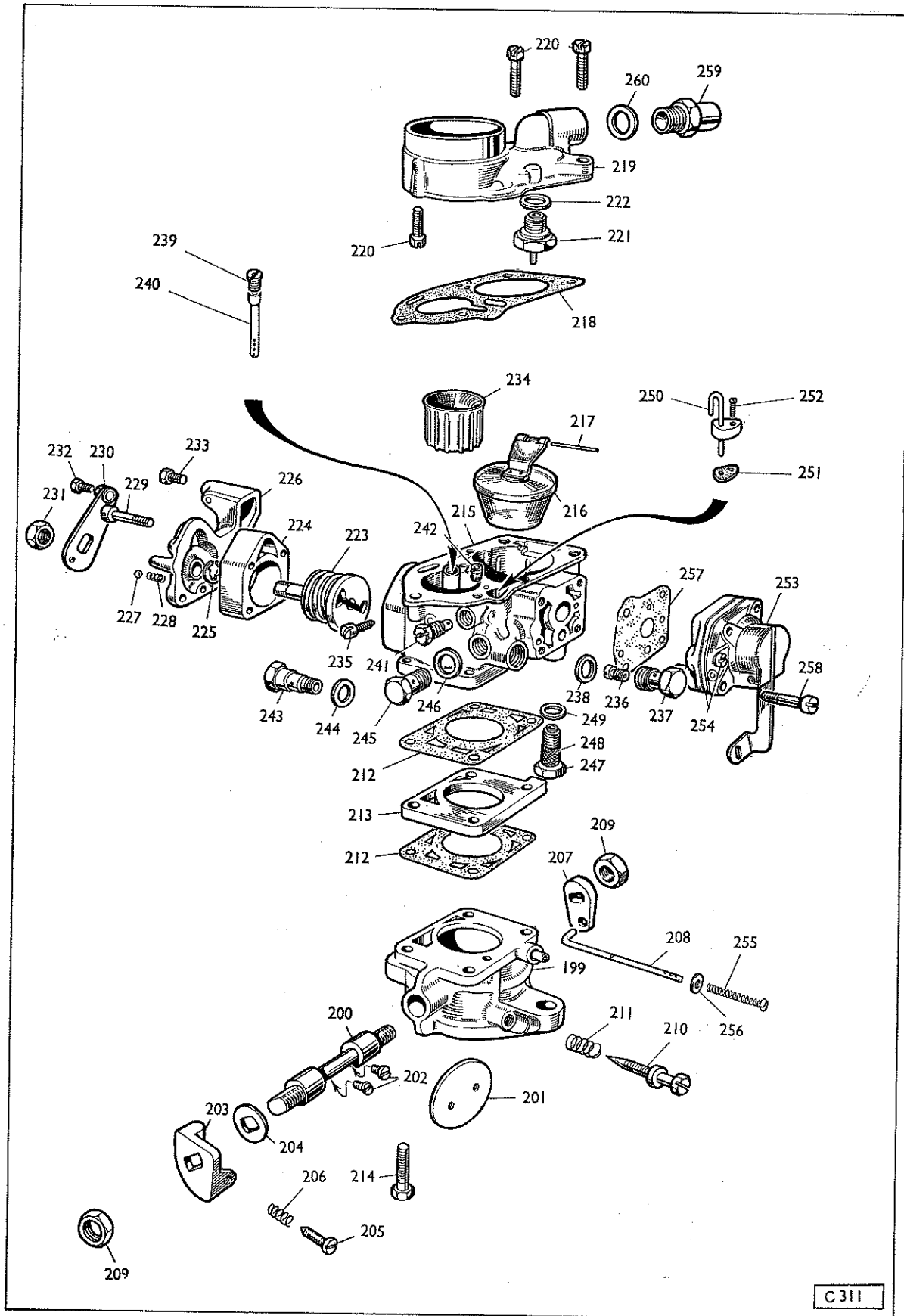


PLATE D - SECTION AB

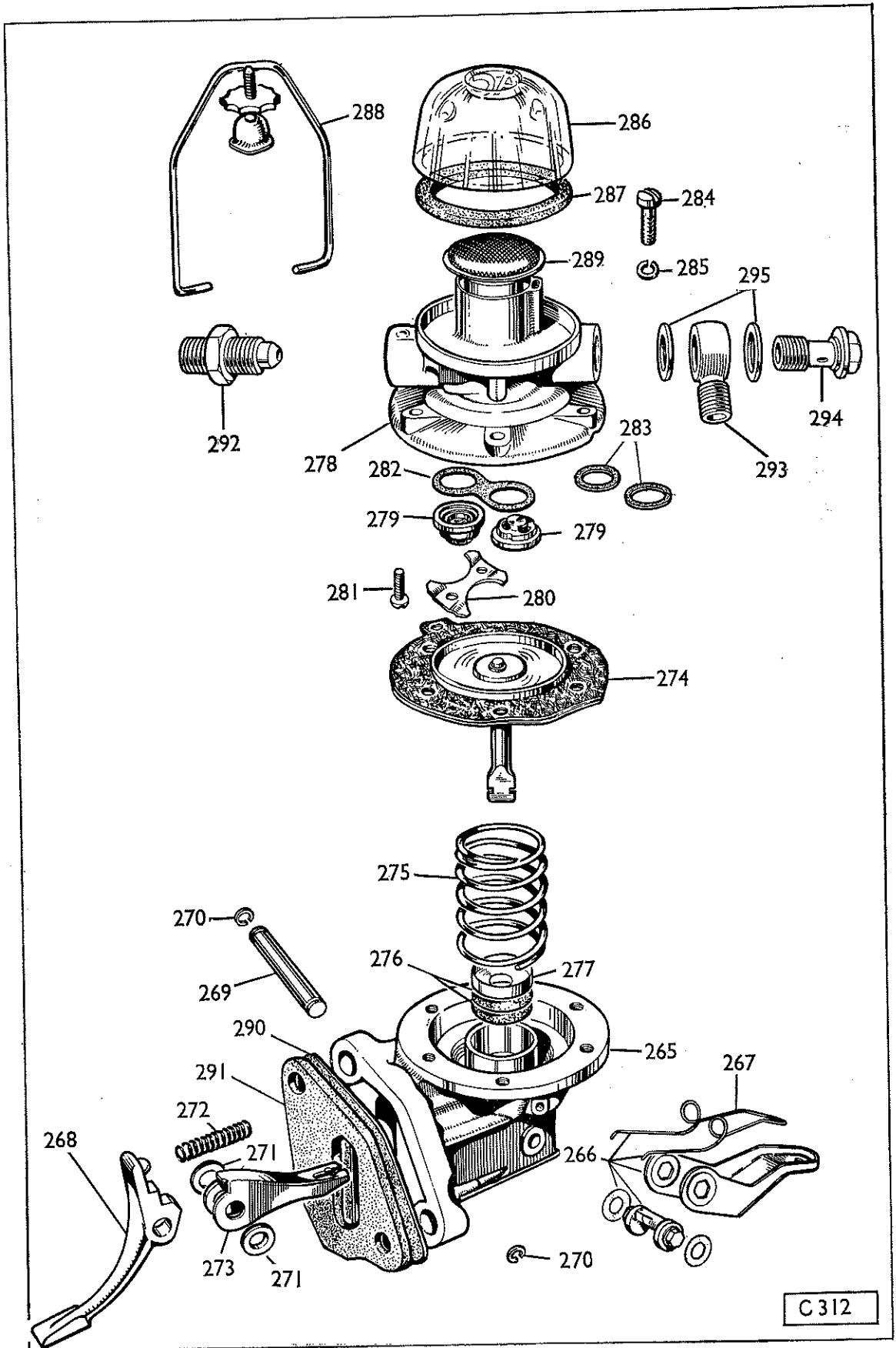
ENGINE UNIT AND AUXILIARIES - PETROL - 6 CYLINDER



C311

PLATE E - SECTION AB

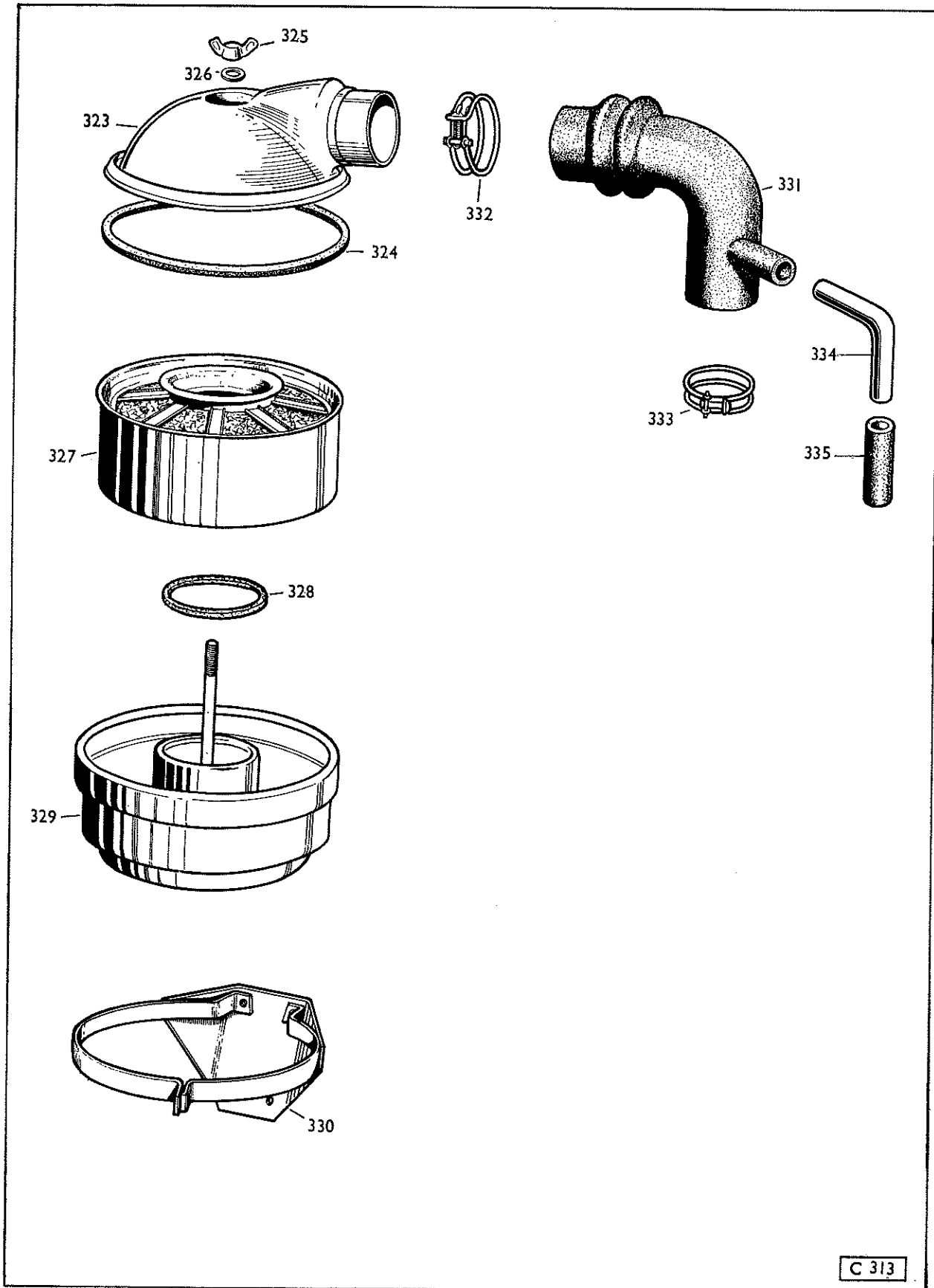
ENGINE UNIT AND AUXILIARIES - PETROL - 6 CYLINDER



C 312

PLATE F—SECTION AB

ENGINE UNIT AND AUXILIARIES – PETROL – 6 CYLINDER



C 313

PLATE G — SECTION AB

ENGINE UNIT – PETROL – 6 CYLINDER

Plate Ref.	Part Number	DESCRIPTION	No. per Veh.	REMARKS	
		Serial numbers of engines listed in this section are as follows: 3CS — Early models fitted with dynamo 5CS — Late models, fitted with dynamo 5CSA — Models, fitted with alternator			
	5200382 s/d 5200654	ENGINE-UNIT — Stripped.. .. .	1	No longer supplied	
	5200654	ENGINE — SHORT	1		
		NOTE. Short engines comprise the following: Cylinder block, Crankshaft and Main bearings, Connecting rods, Big end bearings, Pistons.			
A1	5220348	BLOCK — CYLINDER — Complete with bearing caps ..	1	Service purposes only	
	1201198	Liner — Cylinder	6		
	9805480	Plug — Heater boss	1		
	9101853	Cup — Sealing — Water jacket	4		
	9101839 s/d 5220785	Cup	5		
	9804020	Plug — Sealing	1		
	9802060	Plug	2		
	9077620	Washer	1		
	9805040	Plug — Sealing — Main oil gallery	1		
	1206821	Plug	1		
	9077616 s/d 5220713	Washer	1		
B2	1201177	Bearing — Camshaft	4		
B3	9101853	Cup — Sealing — Camshaft rear bearing	1		
	19506042	Screw — Sealing — Oil feed to rocker	2		
	9077602	Washer	2		
	9101826	Cup — Sealing — Top Deck	2		
	P.78562	Seal — Rear bearing cap	2		
A4	9003116	Bolt — Special — Main bearing caps	8		
A5	9661323	Washer	8		
	19505031 s/d 5220691	Screw — Sealing — Oil pump relief valve	1		
	9077013	Washer	1		
	9146068	Plug — Special — Oil pump and distributor boss	2		
A6	P.111383	Plate — Cover — Oil pump drive	1		
A7	P.111384	Gasket — Cover plate to block	1		
	19504041 s/d 5220690	Screw	2		
	9661163	Washer	2		
	9214005	Tap — Drain — Cylinder block	1	} Early models	
	9078092	Washer — Drain tap	1		} Late models
	9214003	Tap — Drain — Cylinder block	1		
A8	1208716	COVER — SIDE — Cylinder block	2		
A9	P.111376	Gasket	2		
	19505062	Screw	10		
	9661203	Washer	10		
	9077013	Washer	2		
	P.111463	Stud — Side cover and coil	2		
	9067412	Washer	2		
D10	P.111404	Pipe — Breather	1		
D11	1208812	Gasket — Breather pipe to block	1		
	39325560 s/d 39335561	Screw	1		
	9661203	Washer	1		
D12	P.111406	Bracket — Steady	1	Not supplied	
		Washer — Bracket			

ENGINE UNIT – PETROL – 6 CYLINDER

Plate Ref.	Part Number	DESCRIPTION	No. per Veh.	REMARKS
		ENGINE – SHORT – continued		
D13	P.111399	Filter – Breather pipe	1	
B14	5116153	PISTON – Complete – Standard – Grade A	6	
	5116154	Piston – Complete – Standard – Grade B	6	
	5116155 s/d 71235186	Piston – Complete – Standard – Grade C	6	
	5116156 s/d 71235186	Piston – Complete – Standard – Grade D	6	
	5116157 s/d 71235186	Piston – Complete – Standard – Grade E	6	
	5116158	Piston – Complete .030" (.762 mm) o/s	6	
B15	5107808	Ring – Compression – Top groove – Standard	6	
	5107812	Ring – Compression – Top groove .030" (.762 mm) o/s	6	
B16	5107815 s/d 5116098	Ring – Compression – Second groove – Standard	6	
	5107819 s/d 5116099	Ring – Compression – Second groove .030" (.762 mm) o/s	6	
B17	5107822	Ring – Scraper – Third groove – Standard	6	
	5107826	Ring – Scraper – Third groove .030" (.762 mm) o/s	6	
	5109332	Ring – Scraper – Standard	6	} Service alternative (Hepocrom)
	5109336	Ring – Scraper .030" (.762 mm) o/s	6	
B18	5105993	Pin – Gudgeon – Top limit	6	
	5105994	Pin – Gudgeon – Medium limit	6	
	5105995	Pin – Gudgeon – Bottom limit	6	
	5105996	Pin – Gudgeon .003" (.0762 mm) o/s	6	
B19	9204013	Circlip	12	
B20	1201117	ROD – CONNECTING – Less bearing	6	
B21	P.111303	Bolt – Special – Big end	12	
B22	9034074	Nut – Nyloc	12	
B23	P.111369 s/d 5220808	Bush – Small end	6	
B24	5109661 s/d 5113714	BEARING – Big end – Standard	1 set	
	5109662 s/d 5113715	Bearing – Big end .020" (.508 mm) u/s	1 set	
	5109663 s/d 5113716	Bearing – Big end .040" (1.016 mm) u/s	1 set	
B25	5109383	BEARING – MAIN – Front and Intermediate – Standard	1 set	
	5109384	Bearing – Main – Front and Intermediate .020" (.508 mm) u/s	1 set	
	5109385	Bearing – Main – Front and Intermediate .040" (1.016 mm) u/s	1 set	
B26	5109671	BEARING – MAIN – Rear – Standard	1 set	
	5109672	Bearing – Main – Rear .020" (.508 mm) u/s	1 set	
	5109673	Bearing – Main – Rear .040" (1.016 mm) u/s	1 set	
B27	5109657	Washer – Thrust – Crankshaft – Standard	1 pr.	
	5109658	Washer – Thrust – Crankshaft .005" (.1270 mm) o/s	1 pr.	
B28	5105886	CRANKSHAFT	1	
B29	9198005	Bearing – Stem wheel	1	
B30	P.111379	Wheel – Timing – Crankshaft	1	
B31	9213826	Key	1	
B32	P.111353	Pulley – Fan	1	} See Note 1 – Page AB7
B33	P.111352	Boss – Fan pulley	1	
	1238006	Pulley – Complete with damper	1	} See Note 2 – Page AB 7 Early models
B34	1207143	Nut – Jaw	1	
	9000285	Bolt	1	} Late models
B35	9082033	Washer	1	

ENGINE UNIT – PETROL – 6 CYLINDER

Plate Ref.	Part Number	DESCRIPTION	No. per Veh.	REMARKS
B36	P.117020	Damper	1	See Note 1 – Page AB7
	19506071	Screw – Damper and fan pulley to boss	6	
	9661241 s/d 5221254	Washer	6	
B37	1207140	FLYWHEEL complete with gear	1	
B38	P.77999	Gear – Flywheel	1	
NOTE. A replacement flywheel and gear is available in part exchange for the original.				
B39	9146145	Dowel – Flywheel to crankshaft	1	See cylinder block for bearings
	9003066	Bolt	6	
	9090033	Lock plate	3	
B40	1206773	CAMSHAFT	1	
B41	P.111385	Gear – Camshaft	1	
B42	9213008	Key – Gear to camshaft	1	
B43	19506061 s/d 5220686	Screw	1	
B44	9096046	Washer – Retaining	1	
B45	P.55844	Lockwasher	1	
B46	P.118772	Plate – Thrust – Camshaft	1	
B47	19504061 s/d by 5220695	Screw – Thrust plate to cylinder block	2	
	9661163	Washer	2	
B48	9226044	CHAIN – TIMING	1	
B49	P.111356	Tensioner – Chain	1	
B50	K.30053	Kit – Chain tensioner	1	
NOTE. The above kit includes Bottom plug, Tab washer, Spring and Cylinder..				
B51	19104114	Bolt – Chain Tensioner to cylinder block	2	Early models Late models
B52	9661163	Washer	2	
A53	P.117021 s/d 5220645	COVER – TIMING	1	
	P.117018	Pointer – Timing cover	1	
	1216912	Pointer	1	
	49044005	Screw – Pointer to timing cover	2	
	9663083	Washer	2	
A54	9102161	Oil seal – Timing cover	1	
A55	P.111443	Gasket – Timing cover to water gallery	1	
A56	P.111442	Gasket – Timing cover to cylinder block	1	
	19105161	Bolt	10	
	9661203	Washer	10	
	29505211	Stud	3	
	19105251	Bolt	1	
	9661203	Washer	4	
	9510050 s/d 5221350	Nut	3	
B57	1206791	PUMP – OIL	1	} Not supplied
		Body		
		Bush		
B58	P.111363	Pinion	1	
B59	9146021	Pin – Pinion	2	
B60	5220005	Shaft complete with inner and outer rotors	1	
B61	P.117014	Cover	1	
	19604052	Screw – Cover to pump body	4	
	9661163	Washer	4	
B62	P.107782	Filter	1	
B63	P.117015	Shroud	1	
B64	P.107784	Clip – Retaining	1	
	19505062	Screw – Oil pump to cylinder block	1	
	19105281	Bolt	1	
	9661203	Washer	2	
B65	P.111417	Pipe – Oil – Pump to block	1	
B66	9157118	Olive – Pipe to pump	1	
B67	9156561	Nut	1	

ENGINE UNIT – PETROL – 6 CYLINDER

Plate Ref.	Part Number	DESCRIPTION	No. per Veh.	REMARKS
B68	P.111421	Gasket – Pipe to block	1	
	19505051 s/d 5220684	Screw	2	
	9661203	Washer	2	
A69	P.88148	Plunger – Relief valve	1	
A70	P.88150	Spring	1	
A71	P.111424	Nut – Cap	1	
A72	9077635	Washer	1	
B73	1206772	Pinion – Distributor	1	
A74	1206784	Bracket	1	Fitted up to 1235064
	1235064	Bracket	1	Fitted from engine no. 5CS. 337
A75	9107066	Oil seal – Bracket	1	
	1206785	Shim .015" (.3810 mm)	1	
	1206786	Shim .005" (.1270 mm)	A/R	
	19504061 s/d 5220695	Screw – Bracket to cylinder block	2	
	9661163	Washer	2	
A76	P.111319	SUMP – OIL	1	
A77	9801043	Plug – Drain	1	
A78	9077616 s/d 5220713	Washer – Drain plug	1	
A79	P.111321	Gasket – Sump to cylinder block	1	
	5220684	Screw	26	
	5220692	Screw	2	
	9661203	Washer	28	
D80	1206777	Dipstick – Sump	1	
D81	1206779	Tube – Extension – Dipstick	1	
D82	1206783	Bracket – Extension tube	1	
D83	9179024	Clip	1	
D84	19504041 s/d 5220690	Bolt – Clip to bracket	1	
D85	9661163	Washer	1	
D86	9510040	Nut	1	
A87	5220268	HEAD – CYLINDER	1	Fitted up to 5220649
	5220649 s/d 5220888	HEAD – CYLINDER	1	Fitted from engine no. 3CS–329 up to 5CS
	5220888	HEAD – CYLINDER	1	Fitted from engines prefixed 5CS
	9802060	Plug – Top face	5	
	9077620	Washer	5	
	9101820	Cup – Sealing	3	
	9101826	Cup – Sealing	4	
	9101840	Cup – Sealing	1	
	9800031	Plug – Heater connection	1	
	9077610	Washer	1	
B88	5105584	Guide – Valve – Inlet – Standard	6	
	5105585	Guide – Valve – Inlet .001" (.0254 mm) o/s	6	} Service use
	5105586	Guide – Valve – Inlet .003" (.0762 mm) o/s	6	
B89	5109971	Guide – Valve – Exhaust – Standard	6	
	5109972	Guide – Valve – Exhaust .001" (.0254 mm) o/s	6	} Service use
	5109973	Guide – Valve – Exhaust .003" (.0762 mm) o/s	6	
	5110028	Insert – Valve seat – Inlet – Standard	A/R	} Service use with cylinder head 5220268
	5110029	Insert – Valve seat – Inlet .002" (.0508 mm) o/s	A/R	
	5110030	Insert – Valve seat – Inlet .005" (.1270 mm) o/s	A/R	
	5110031	Insert – Valve seat – Inlet .010" (.254 mm) o/s	A/R	
	5111191	Insert – Valve seat – Inlet – Standard	A/R	} Service use with cylinder head 5220649 and 5220888
	5111192	Insert – Valve seat – Inlet .002" (.0508 mm) o/s	A/R	
	5111193	Insert – Valve seat – Inlet .005" (.1270 mm) o/s	A/R	
	5111194	Insert – Valve seat – Inlet .010" (.254 mm) o/s	A/R	

ENGINE UNIT – PETROL – 6 CYLINDER

Plate Ref.	Part Number	DESCRIPTION	No. per Veh.	REMARKS
		HEAD – CYLINDER – continued		
	5110034	Insert – Valve seat – Exhaust – Standard	A/R	} Service use
	5110035	Insert – Valve seat – Exhaust .002" (.0508 mm) o/s ..	A/R	
	5110036	Insert – Valve seat – Exhaust .005" (.1270 mm) o/s ..	A/R	
	5110037	Insert – Valve seat – Exhaust .010" (.254 mm) o/s ..	A/R	
A90	P.111435	Tube – Sparking plug	6	
A91	1201116	Gasket – Cylinder head to cylinder block	1	
A92	9003215	Bolt	14	
A93	P.111498	Washer	14	
A94	9146126	Dowel	2	
B95	P.87294	VALVE – INLET	6	Up to Engine No. 3CS–328 From Engine No. 3CS–329
	P.104603 s/d 1218632	VALVE – INLET	6	
B96	1206794	Cup – Valve spring – Inlet valve	6	
B97	9107016	Ring – Sealing – Valve cup	6	
B98	P.111337	Rod – Push	6	
B99	1207050 s/d 1218633	VALVE – EXHAUST	6	
B100	1206794	Cup – Valve spring – Exhaust valve	6	
	9107016	Ring – Sealing – Valve cup	6	
B101	P.111338	Rod – Push	6	
B102	5220327	Cotter – Valve spring	3 sets	8 Halves per set
B103	P.111387	Spring – Valve	12	Up to engine No. 3CS–258
	5220619	Spring – Valve – Inner and outer	12	From engine No. 3CS–259
B104	P.111336	Tappet	12	
	P.111373	Tube – Oil level – Camshaft chamber	2	
B105	P.111561	SHAFT – ROCKER – Inlet	2	
B106	9057019	Screw – Locating – Inlet rocker shaft	2	
B107	9077013	Washer – Locating screw	2	
B108	P.111562	SHAFT – ROCKER – Exhaust	2	
B109	P.111564 s/d 9057035	Screw – Locating – Exhaust rocker shaft	2	
B110	9077016	Washer	2	
B111	9101811	Cup – Sealing – Rocker shaft	4	Up to Engine No. 5CS–186 From Engine No. 5CS–187
	9101807	Cup	4	
B112	9107034	Ring – Sealing	6	
B113	P.111372	Spring	12	
B114	9088125	Distance piece	4	
B115	P.111326 s/d 1214664	Rocker – Front – Inlet	3	
B116	1201017 s/d 1214665	Rocker – Rear	3	
B117	1201018 s/d 1214666	Rocker – Front – Exhaust	3	
B118	P.111534 s/d 1214667	Rocker – Rear	3	
B119	P.103812	Screw – Adjusting – Rocker	12	
B120	9520050	Locknut	12	
B121	P.111331	Carrier – Rocker shaft – Front and rear	2	
B122	P.111332	Carrier – Rocker shaft – Intermediate	5	
	9146110	Plug – Carrier	2	
B123	19105253	Bolt – Rocker shaft carrier to cylinder head	14	
B124	9067027	Washer	14	
	9661201	Washer	10	
	9077013	Washer	4	

ENGINE UNIT – PETROL – 6 CYLINDER

Plate Ref.	Part Number	DESCRIPTION	No. per Veh.	REMARKS
A125	P.111393	COVER – ROCKER complete with oil filler cap and ignition lead cover	1	
A126	5030162	Cap – Oil filler	1	
A127	P.48911	Case – Ignition leads	1	
A128	9117519	Oil seal – Sparking plug tube	6	
A129	P.86026	Beading – Ignition case lead	A/R	
A129	P.111395	Gasket – Rocker cover to cylinder head	1	
	P.111394 s/d 9050170	Screw – Retaining	4	
	9067027	Washer	4	
	9078014	Washer	1	
C130	P.48896	PUMP – WATER	1	
C131	P.111324	Body	1	
	9800041	Plug – Heater connection	1	} Not required when heater is fitted
	9077616 s/d 5220713	Washer	1	
C132	P.114229 s/d 1214677	Centre – Fan pulley	1	
C133	9198900	Bearing – Unit	† 1	
C134	P.103640	Screw – Special – Bearing unit locating	† 1	
C135	9661163	Washer	† 1	
C136	P.111344	Impellor	† 1	
C137	P.86825 s/d 5044768	Seal – Unit	† 1	
C138	P.88402	Thrower – Bearing unit	† 1	
		NOTE. A replacement water pump is available in part exchange for the original		
C139	P.111371	Gasket – Water pump to timing case	† 1	
	29705101	Stud	2	
	9661203	Washer	2	
	9510050 s/d 5220701	Nut	2	
	P.48913	KIT – WATER PUMP REPAIR	1	} Includes items † Use prior to engines prefixed 5CS
C140	1207099 s/d 1218672	THERMOSTAT	1	
C141	P.111588	Housing – Thermostat	1	
	1218669 s/d 1217480	THERMOSTAT	1	} Use on engines prefixed 5CS onwards
	1228032	Housing – Thermostat	1	
	9801642	Plug – Thermostat housing	1	
	9078031	Washer	1	
C142	P.111446	Gasket – Thermostat housing to cylinder head	1	
C143	19105221	Bolt	2	
C144	9067022	Washer	2	
C145	9661203	Washer	2	
C146	P.111374	Pipe – Outlet – Water	1	
C147	P.111447	Gasket – Water outlet pipe to thermostat housing	1	
C148	29705221	Stud	2	
C149	9067022	Washer	2	
C150	9661203	Washer	2	
C151	5220701	Nut	2	
		TRANSMITTER – TEMPERATURE		} See Electrical section Use prior to 5CS
D152	P.111380	FILTER – OIL	1	
D153	K.30043	Bolt – Centre	1	
D154	K.26105	Gasket – Centre bolt	1	

ENGINE UNIT – PETROL – 6 CYLINDER

Plate Ref.	Part Number	DESCRIPTION	No. per Veh.	REMARKS
		FILTER – OIL – continued		
D155	K.30052	Element complete with cover gasket	1	
D156	9122180	Gasket – Cover	1	
D157	K.30045	Retainer – Element	1	
D158	K.30046	Spring – Retainer	1	
D159	K.30047	Plug – Drain	1	
D160	K.30048	Gasket – Drain plug	1	
D161	K.30049	Plug – By-pass valve	1	
D162	K.30050	Spring	1	
D163	K.30051	Ball	1	
		FILTER – OIL.. .. . Not supplied		Use on engines prefixed 5CS onwards
	5042620 s/d 1228023	Headcasting	1	
	5042621 s/d 1228022	Filter assembly	1	
	9803013	Plug – Oil filter drain	1	
	9077031	Washer	1	
D164	1218583	Gasket – Filter to block	1	Use on engine prior to 5CS
	19105221	Bolt	2	
D165	19105121 s/d 19105122	Bolt	2	
D166	9067022	Washer	4	
D167	9661203	Washer	4	
	1218583	Gasket	1	Use on engines prefixed 5CS onwards
	19505082	Bolt	4	
	9067022	Washer	4	
	9661203	Washer	4	
D168	P.111381	Eye – Lifting – Exhaust side	1	
D169	P.111382	Eye – Lifting – Inlet side	1	
D170	19505062	Screw – Lifting eyes to cylinder head	3	
D171	9661203	Washer	3	
		NOTE 1. Fitted up to engine numbers listed in Note 2.		
		NOTE 2. Fitted from the following engine numbers 5CSA 6 and from the following chassis numbers KA 011654 CKD KA 700904.		

ENGINE AUXILIARIES – PETROL – 6 CYLINDER

Plate Ref.	Part Number	DESCRIPTION	No. per Veh.	REMARKS
	5220323	GASKETS – TOP OVERHAUL SET NOTE. The above gasket sets include, Cylinder Head, Induction and Exhaust manifold, Exhaust flange, Rocker cover, Thermostat housing, Water pump, Carburettor, By-pass pipe gaskets, sparking plug tube seals, Valve sealing rings.	1	
D172	1201107	MANIFOLD – INDUCTION	1	
D173	1206795	Gasket – Induction manifold to cylinder head	1	Use on engines prior to 5CS
	1228053	Gasket	1	Use on engines prefixed 5CS onwards
	19105281	Bolt	8	
	19105091	Bolt	2	
	9661203	Washer	10	
	9801642	Plug – Check valve	1	
	9078031	Washer	1	
D174	P.47715	PIPE – DRAIN – MANIFOLD	1	
D175	9187027	Ball – Valve – Drain pipe.. .. .	1	
D176	9156515	Nut	1	
D177	9157104	Olive.. .. .	1	
		Distance piece		Not supplied
D178	P.111391	Bracket – Steady	1	
C179	P.111415	PIPE – BY-PASS – Front	1	
D180	P.111413	PIPE – BY-PASS – Rear	1	
CD181	P.111416	Gasket – By-pass pipe to Water pump and manifold	2	
C182	29704081	Stud	4	
C183	9661163	Washer	4	
C184	9510040	Nut	4	
C185	9166073 s/d P.85798	Hose – By-pass pipe	1	Use on engines prior to 5CS
	9166651 s/d P.85798	Hose	1	Use on engines prefixed 5CS onwards
C186	9788121	Clip – Hose	2	
D187	P.111480	MANIFOLD – EXHAUST – FRONT	1	
D188	P.111481	MANIFOLD – EXHAUST – REAR	1	
D189	P.117013 s/d 71246278	'Y' piece – Manifold.. .. .	1	
D190	P.117016	Gasket – 'Y' piece to manifolds	2	
D191	29706134	Stud	4	
D192	9661241 s/d 5221254	Washer	4	
D193	9510063	Nut	4	Use on engines prior to 5CS
	9029141	Nut	4	Use on engines prefixed 5CS onwards
D194	5220308	Gasket – Exhaust manifold to cylinder head	1	
D195	29706164	Stud	7	
D196	9067036	Washer	7	
D197	9661241 s/d 5221254	Washer	7	
D198	9510063	Nut	7	
	3052367	Shield – Heat – LHD	1	

ENGINE AUXILIARIES – PETROL – 6 CYLINDER

Plate Ref.	Part Number	DESCRIPTION	No. per Veh.	REMARKS
		STARTER		See electrical section
	1207139	Plate – Adaptor – Starter to clutch housing	1	
	19106261	Bolt	2	
	9661241 s/d 5221254	Washer	2	
	9510060 s/d 5221351	Nut	2	
	1800307	CARBURETTOR	1	
E199	5039780	Chamber – Throttle	1	
E200	K.30017	Spindle – Throttle	1	
E201	K.25990	Butterfly	1	
E202	9050002	Screw – Butterfly	2	
E203	5039459	Plate – Throttle abutment	1	
E204	K.26027	Distance piece – Throttle abutment plate	1	
E205	5039460	Screw – Slow running adjustment	1	
E206	K.11432	Spring – Slow running screw	1	
E207	5038906	Lever – Intermediate	1	
E208	5038538	Rod – Pump control	1	
E209	K.11445	Nut – Throttle spindle end	2	
E210	5037825	Screw – Volume control	1	
E211	K.11432	Spring – Volume control screw	1	
E212	K.25991	Gasket – Throttle chamber	2	
E213	K.30025	Washer – Insulating	1	
E214	9050020	Screw – Throttle chamber fixing	4	
E215	5039784	Chamber – Float	1	
E216	K.30024	Float	1	
E217	K.25995	Spindle – Float	1	
E218	K.25997	Gasket – Float chamber	1	
E219	5037408	Cover – Float chamber	1	
E220	9000057	Screw – Float chamber cover	3	
E221	5102561	Valve – Needle	1	
E222	9077084	Washer – Needle valve	1	
	5039782	Starter complete	1	
E223	5039783	Valve – Starter	1	
E224		Body		} No longer supplied
E225		Circlip		
E226		Cover – Starter		
E227	K.12546	Ball – Locating – Starter valve		
E228	K.12547	Spring – Starter valve locating ball		
E229	9050009	Screw – Starter body fixing	4	
E230	5038908	Lever – Starter complete	1	
E231	K.11445	Nut – Starter spindle end	1	
E232	5037396	Screw – Starter lever cable	1	
E233	K.12549 s/d K.12557	Screw – Starter lever cable locking	1	
E234	5108650	Tube – Choke	1	
E235	K.11423	Screw – Choke tube retaining	1	
E236	5102522	Jet – Main	1	
E237	K.13026	Holder – Main jet	1	
E238	9077071	Washer	1	
E239	5102590	Jet – Air correction	1	
E240	5107412	Tube – Emulsion	1	
E241	5102490 s/d 5059569	Jet – Auxiliary	1	
E242	5102699	Jet – Auxiliary – Air bleed	1	
E243	5102651	Jet – Petrol	1	

ENGINE AUXILIARIES – PETROL – 6 CYLINDER

Plate Ref.	Part Number	DESCRIPTION	No. per Veh.	REMARKS
		CARBURETTOR – continued		
E244	9077083	Washer – Petrol jet	1	
E245	5102625	Jet – Pump	1	
E246	9077083	Washer – Pump jet	1	
E247	K.30022	Valve – Pump bleed	1	
E248	K.22416	Filter – Pump	1	
E249	9077083	Washer – Pump bleed valve	1	
E250	5039219	Tube – Injector	1	
E251	K.21749	Washer – Injector tube	1	
E252	K.12569	Screw – Injector retaining	1	
E253	5039786	PUMP – ASSEMBLY	1	
		Membrane		} Not supplied
		Cover		
		Base		
		Spring		
E254	9050003	Screw – Cover retaining	2	
E255	K.24509 s/d 5040453	Spring – Pump control rod	1	
E256	K.22588	Washer		No longer supplied
E257	K.29997	Gasket – Pump base	1	
F258	9050008	Screw – Pump fixing	4	
E259	5039785	Union – Petrol	1	
E260	9078023	Washer – Union	1	
D261	1214599	Lever – Carburettor		See accelerator controls
D262	P.117485	Adaptor – Carburettor	1	
	29805101	Gasket – Carburettor to adaptor	1	
	9661203	Stud	2	
	9510050 s/d by 5221350	Washer	2	
D263	1201104	Nut	2	
D264	29806121	Gasket – Adaptor to induction manifold	1	
	9661241 s/d 5221254	Stud	2	
	9510060 s/d 5221351	Washer	2	
	P.45979 s/d 1800691	Nut	2	
	1800691	PUMP – FUEL	1	
F265		PUMP	1	
F266	K.18847	Body and primer		Not supplied
F267	K.18380	Set – Priming lever	1	
F268	K.30037	Spring – Priming lever	1	
F269	K.9033	Arm – Rocker	1	
F270	5220201	Pin – Rocker arm	1	
F271	5220199	Circlip	2	
F272	K.9039	Washer – Rocker arm	2	
F273	K.10481	Spring	1	
F274	K.21471 s/d 5059470	Link – Rocker arm to diaphragm	1	
F275	K.10482	Diaphragm	1	
F276	K.17852	Spring – Diaphragm	1	
F277	K.20322	Oil seal	2	
F278		Retainer – Seal	1	
		Body – Valves		Not supplied

ENGINE AUXILIARIES – PETROL – 6 CYLINDER

Plate Ref.	Part Number	DESCRIPTION	No. per Veh.	REMARKS
		PUMP – FUEL – continued		
F279	K.19263 s/d 5043668	Valve and seat	2	} Use with P45979 Use with 1800691 Use with P.45979 Use with 1800691
F280	K.19264	Retainer – Valve	1	
F281	9050095	Screw – Retainer to body	2	
F282	K.19265	Gasket – Valve	1	
F283	K.29656	Gasket – Valve	2	
F284	39303100 s/d by 39313101	Screw – Valve body to lower body	6	
F285	9661121	Washer	6	
	9660121	Washer	6	
F286	K.19256	Bowl – Filter	1	
F287	K.19258	Gasket – Filter bowl	1	
F288	K.19260	Retainer	1	
F289	K.19257	Gauze	1	
	9151241	Adaptor – Inlet	1	
		NOTE. A replacement Fuel pump is available in part exchange for the original.		
F290	P.44994	Gasket – Fuel pump to block	1	} See Fuel Section
F291	P.103727	Insulator	1	
	P.41602	Gasket	1	
	29705131	Stud	2	
	9661203	Washer	2	
	9510050 s/d 5221350	Nut	2	
F292	9151215	Union – Inlet	1	
F293		Union – Outlet	1	
F294		Bolt – Banjo – Outlet union to pump	1	
F295		Washer	2	
		PIPES – FUEL		
C296	1208722	FAN – ASSEMBLY	1	
C297	1201119	Belt – Fan and dynamo	1	
	1200056	Belt	1	
	1218640	Belt	1	
	9226516 s/d 1238402	Belt – Fan and alternator	1	
	9226507	Belt	1	
C298	1201108 s/d P.111347	Pulley – Fan and dynamo	1	
	1238005	Pulley – Fan and alternator	1	
	1214581	Distance piece – Fan to fan centre	1	
		Centre – Fan pulley		
C299	19504071 s/d 5220682	Screw – Fan to pulley centre	4	
C300	9661163	Washer	4	
		COIL – IGNITION		} See electrical section See engine unit See electrical section See engine unit
		PLUG – SPARKING		
		Stud – Coil to engine side cover		
	9067023	Washer	2	
	9661203	Washer	2	
	9510050 s/d 5221350	Nut	2	
		DISTRIBUTOR		
		Bracket – Distributor		
		Pinion		

ENGINE AUXILIARIES – PETROL – 6 CYLINDER

Plate Ref.	Part Number	DESCRIPTION	No. per Veh.	REMARKS
	19504061 s/d 5220695	Screw – Distributor to bracket	2	} Up to engine number 5CS 337
	9661163	Washer	2	
	19504061 s/d 5220695	Screw	1	} From engine number 5CS. 338
	9661163	Washer	1	
D301	1214606 s/d 1219351	Pipe – Suction – Distributor	1	} Up to engine number 3CS–890
D302	9157100	Olive – Distributor end	1	
D303	9156050	Nut	1	
D304	9166270 s/d 7100619	Connector – Rubber – Suction pipe to carburettor	1	
	1219351	Pipe – Synthetic rubber – Suction – Distributor	1	} From engine number 3CS, 891 See electrical section
		DYNAMO Fitted up to note 1		
D305	1207056	Pulley – Dynamo	1	} Special order 3023 Ambulance
D306	1206851 s/d 1214625	Ventilator	1	
	1214548	Pulley	1	
	1214625	Ventilator	1	
	1206917	Bolt – Dynamo to support bracket	2	
	1214544	Bolt	2	
	9661203	Washer	2	
D307	P.111349	Bracket – Support – Dynamo	1	
	1207016	Bracket	1	
	3022548	Bracket For use with C40L, Dynamo	1	
	19506061 s/d 5220686	Screw – Support bracket to cylinder block	2	} 3023 Ambulance
	9661241 s/d 5221254	Washer	2	
	19505062	Bolt	1	
	9661203	Washer	1	
D308	P.111574	Strap – Adjusting – Dynamo	1	
	19605051	Screw – Adjusting strap to dynamo	1	
	9661203	Washer	1	
	9088183	Distance piece – Adjusting strap to timing cover	1	
	9067244	Distance piece	1	
	29806121	Stud	1	
	9067038	Washer	1	
	9661241 s/d 5221254	Washer	1	
	9029147	Nut	1	
		ALTERNATOR Fitted from Note 2		
		Ventilator – Alternator	1	
	1238008	Pulley	1	
	19505091	Bolt – Alternator front lug to bracket	1	
	9068014	Washer	1	
	9661203	Washer	1	
	9510050 s/d 5221350	Nut	1	
	19505111	Bolt – Alternator rear lug to bracket	1	
	9068013	Washer	1	
	9661203	Washer	1	
	9510050 s/d 5221350	Nut	1	

ENGINE AUXILIARIES – PETROL – 6 CYLINDER

Plate Ref.	Part Number	DESCRIPTION	No. per Veh.	REMARKS
	19505082	Bolt – Alternator to support bracket	1	} 6055 models
	19505101	Bolt	1	
	9661203	Washer	1	
	5221350	Nut	1	
	1235926	Bracket – Support – Alternator	1	
	19506081 s/d 5220694	Screw – Support bracket to block	2	
	9661241 s/d 5221254	Washer	2	
	1235916	Strap – Adjusting – Alternator	1	
	19605051	Screw – Adjusting strap to alternator	1	
	9067027	Washer	1	
	9661203	Washer	1	
	9088175	Distance piece – Adjusting strap to timing cover	1	
	29806161	Stud	1	
	9661241 s/d by 5221254	Washer	1	
	5221351	Nut	1	
		OIL PRESSURE UNIT		} See Electrical Section
		Adaptor – Oil pressure unit		
		Washer		
	3050132	BRACKET – SUPPORT – ENGINE – RH – FRONT	1	
D309	3050131	Bracket – Support – Engine – LH	8	
	29706112	Stud – Support bracket to cylinder block	1	} See Note 3 Page AB15
	9552063 s/d 5220708	Nut	8	
	19506091 s/d 5220687	Setscrew	8	} See Note 4 – Page AB15
	9660243	Washer	8	
D310	P.107162	Mounting – Rubber – Front	2	
	9510051 s/d 5221350	Nut – Mounting rubber to bracket	4	
	9660203	Washer	4	
	19506061 s/d 5220686	Setscrew – Mounting to frame	2	} See Note 3 – Page AB15
	9660243	Washer	2	
	9067036	Washer	2	
	29706093	Stud	2	} See Note 4 – Page AB15
	9660243	Washer	2	
	9067045	Washer	2	
	5221351	Nut	2	
D311	3049467	BRACKET – SUPPORT – ENGINE – REAR	2	
	19607092	Setscrew – Bracket to bell housing	8	
	9660283	Washer	8	
D312	W.14798	Mounting – Rubber – Rear	2	
D313	W.12873	Washer – Re-bound	2	
D314	19110281	Bolt – Mounting rubber to bracket	2	
D315	9551103 s/d 9571103	Nut	2	
	19506061 s/d 5220686	Setscrew – Mounting rubber to mounting bracket	4	
	9660243	Washer	4	
	5221351	Nut	4	
D316	3020559	ROD – TIE	1	
D317	P.56418	Grommet – Tie rod to support bracket	1	} Comprises 2 halves
D318	9520050	Locknut	2	

ENGINE AUXILIARIES – PETROL – 6 CYLINDER

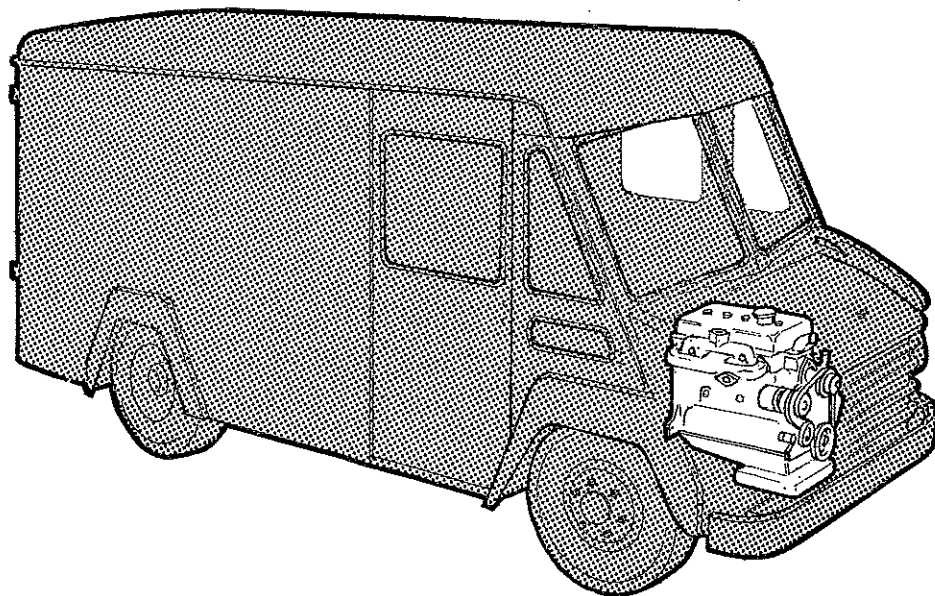
Plate Ref.	Part Number	DESCRIPTION	No. per Veh.	REMARKS
D319	9510051 s/d 5221350	Nut	2	
D320	9067031	Washer	2	
D321	3018320	Support – Tie rod – Front	1	
	19506071	Setscrew – Support to crossmember	2	
	9660243	Washer	2	
	5221351	Nut – Tie rod to clutch housing	2	
	19406121	Bolt	1	
	9067039	Washer	2	
	9664243	Washer	1	
		HOUSING – CLUTCH		} See Clutch and Controls section
A322		Plate – Cover – Upper – Clutch housing		
	3049490	AIR SILENCER AND CLEANER	1	
G323	5039244	Cover	1	
G324	K.13639	Gasket – Cover	1	
G325	9023007	Wing nut	1	
G326	9078077	Washer	1	
G327	K.18344	Element – Filter	1	
G328	K.16818	Gasket – Element sealing	1	
G329	5039245	Container – Oil	1	
G330	3049487	Bracket – Air silencer and cleaner mounting	1	
	19505082	Setscrew – Mounting bracket clamping	1	
	9660203	Washer	1	
	9510051 s/d 5221350	Nut	1	
	19504052	Setscrew – Bracket retaining	4	
	9660163	Washer	4	
G331	3049482	Hose – Air cleaner to carburettor	1	
G332	9782421	Clip – Hose to air cleaner	1	
G333	9782461	Clip – Hose to carburettor	1	Early models Late models
	9782371	Clip	1	
G334	3017664	Pipe – Vent – Rocker breather	1	
	1206975	Pipe	1	Early models Late models
G335	3018142	Hose	1	

ENGINE AUXILIARIES – PETROL – 6 CYLINDER

Plate Ref.	Part Number	DESCRIPTION	No. per Veh.	REMARKS
		<p>NOTE 1. Fitted up to engine and chassis numbers listed in Note 2.</p> <p>NOTE 2. Fitted from the following engine numbers 5CSA6 and the following chassis numbers: 011654 CKD 700904.</p> <p>NOTE 3. Fitted up to chassis numbers listed in Note 4.</p> <p>NOTE 4. Fitted from the following chassis numbers: KA3023-000877, KA4035-000042. KAL 4023-000411, KAL6035-000095.</p> <p>NOTE 5. You are advised that 1201108 pulley has been superseded by P.111347 pulley 1 off and 1200056 Belt 1 off. When it is required to replace early-type pulley with later one, a new fan belt must also be fitted.</p>		

SECTION AC

ENGINE UNIT AND AUXILIARIES LIGHT DIESEL — 23CV AND OE138



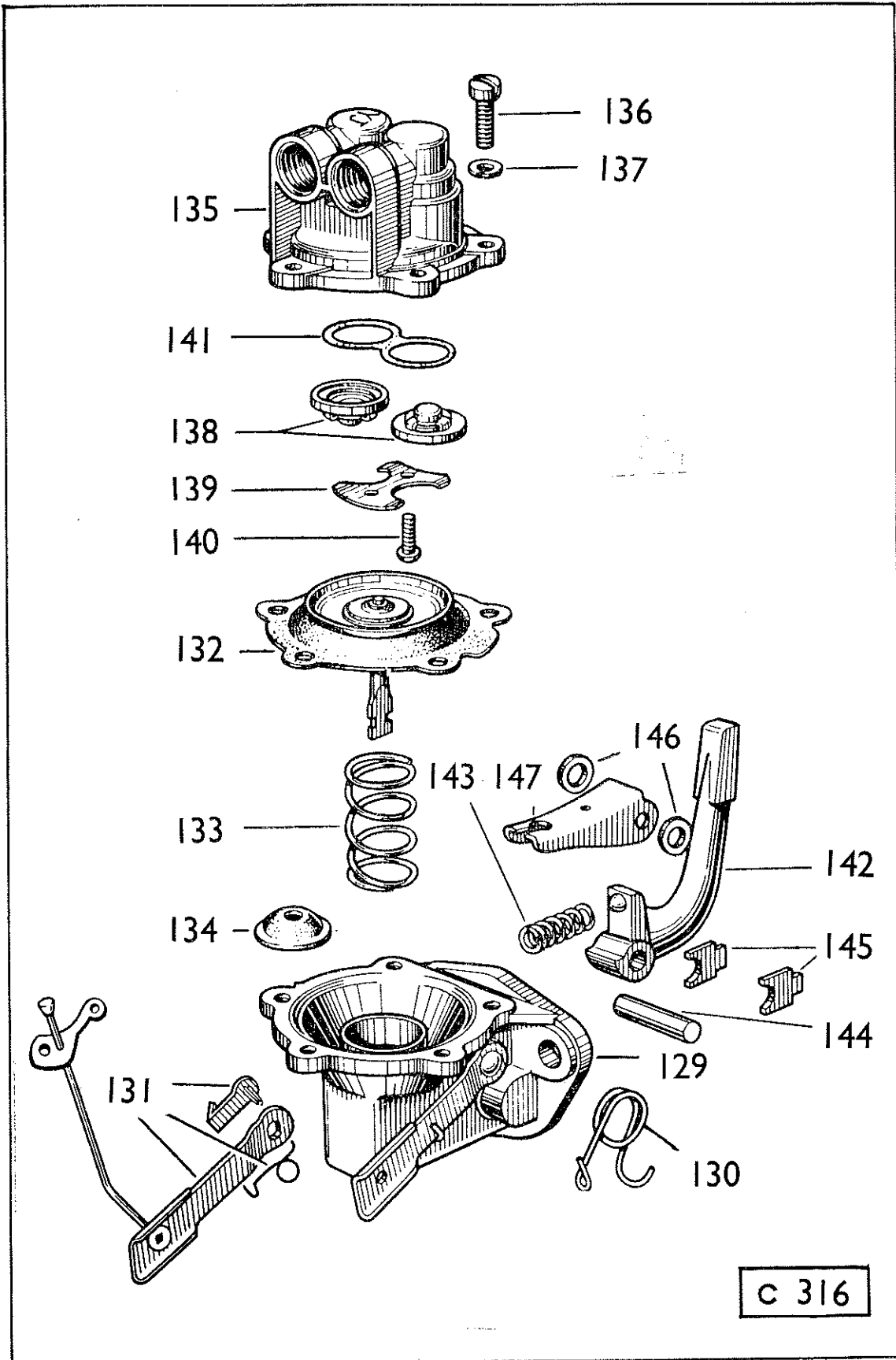
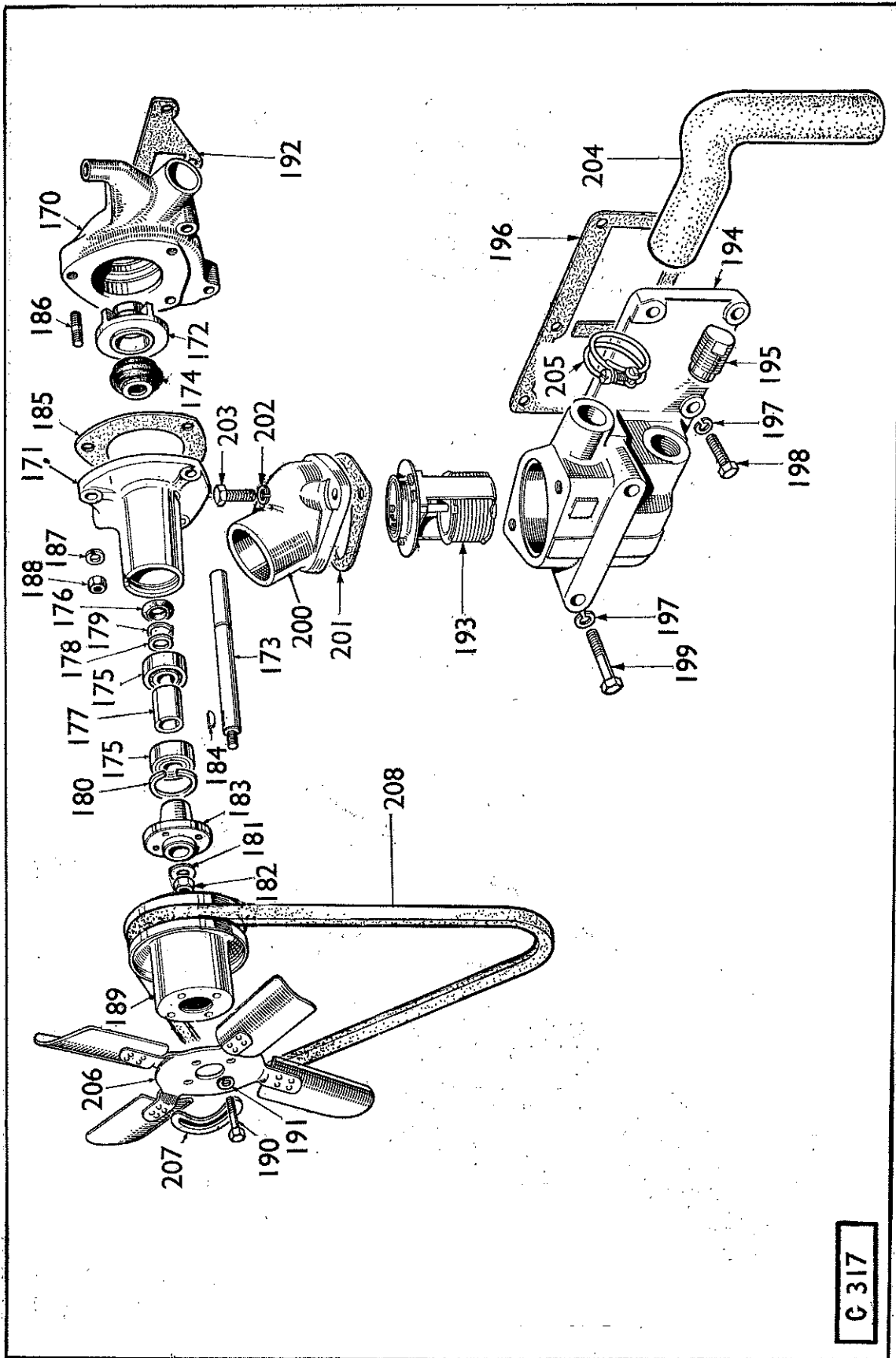


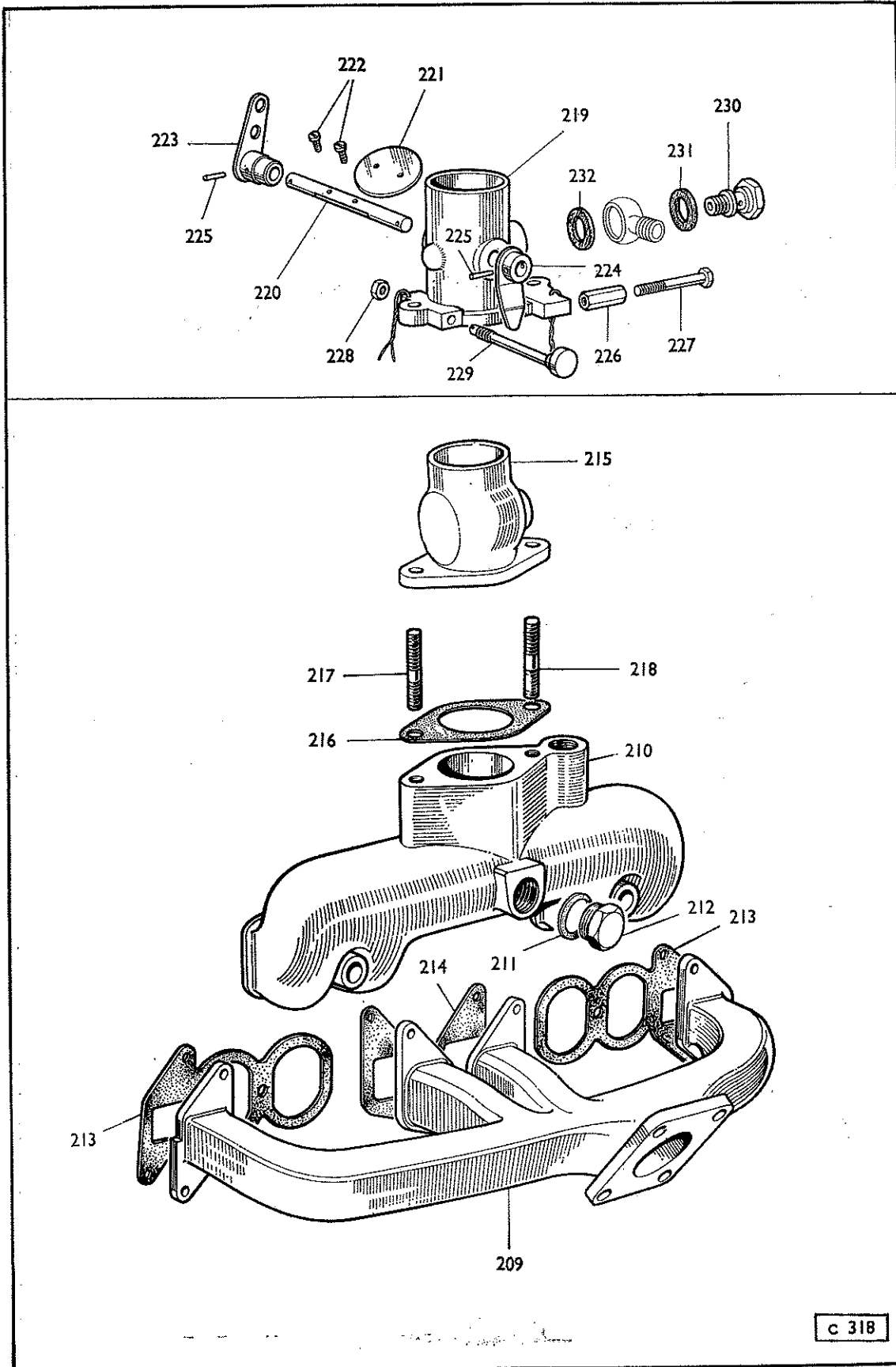
PLATE C — SECTION AC



C 317

PLATE D — SECTION AC

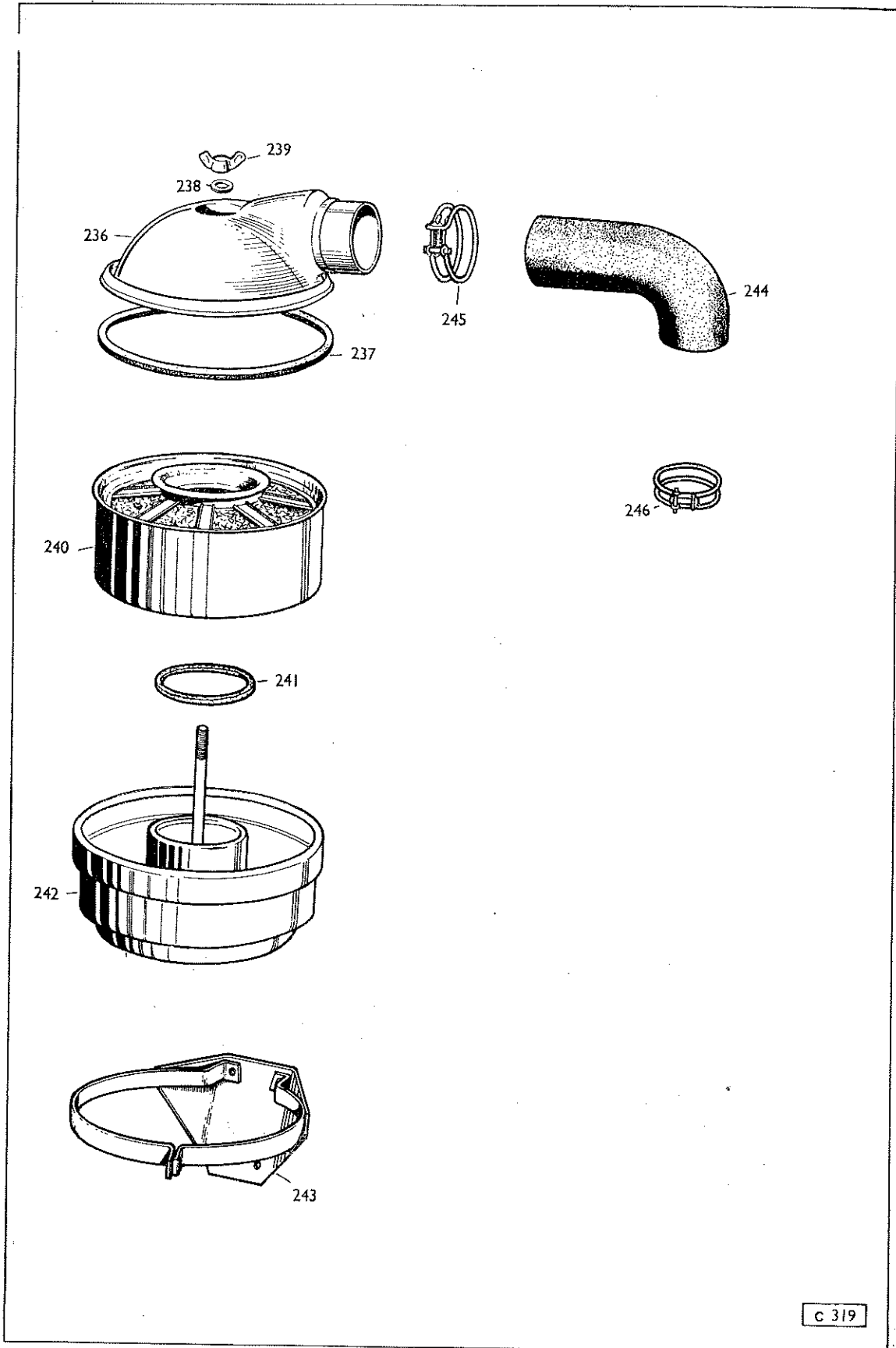
ENGINE UNIT AND AUXILIARIES — LIGHT DIESEL — 23CV and OE138



c 318

PLATE E — SECTION AC

ENGINE UNIT AND AUXILIARIES — LIGHT DIESEL — 23CV and OE138



C 319

PLATE F — SECTION AC

ENGINE UNIT – LIGHT DIESEL – 23CV and OE138

Plate Ref.	Part Number	DESCRIPTION	No. per Veh.	REMARKS
	J.510767 s/d J.515177	ENGINE UNIT – Plain bore – 23CV	1	} See Note 1 – Page AC15
	J.510768 s/d J.515178	ENGINE UNIT – Chrome bore – 23CV	1	
	J.511679 s/d J.515177	ENGINE UNIT – Plain bore – OE138	1	} See Note 2 – Page AC15
	J.511680 s/d J.515178	ENGINE UNIT – Chrome bore – OE138	1	
	J.514119 s/d J.515177	ENGINE UNIT – Plain bore – OE138	1	} See Note 3 – Page AC15
	J.514120 s/d J.515178	ENGINE UNIT – Chrome bore – OE138	1	
	J.515177 s/d J.516255	ENGINE UNIT – Plain bore	1	
	J.516255	ENGINE UNIT	1	
	J.515178 s/d J.516256	ENGINE UNIT – Chrome bore	1	
	J.516256	ENGINE UNIT	1	
		NOTE. Engine units are supplied less Starter motor, Dynamo, Pulley, Ventilator, Bracket, Strap and fixings. Reconditioned engine units can be identified by the suffix letter 'S' following the complete engine number, e.g.: UA00000HS – Plain bore UA00000KS – Chrome bore		
	J.509226 s/d J.133661	BLOCK – CYLINDER – PLAIN BORE	1	} See Note 1 – Page AC15
	J.510769 s/d J.133661	BLOCK – CYLINDER – CHROME BORE	1	
A1	J.133661	BLOCK – CYLINDER – LESS LINERS	1	} See Note 2 – Page AC15
	5150413	Liner – Cylinder – 'H' grade for 'F' grade piston	4	
	5150414	Liner – Cylinder – 'I' grade for 'G' grade piston	4	} Plain bore
	5150417	Liner – Cylinder – 'J' grade for 'H' grade piston	4	
	5150415	Liner – Cylinder – 'H' grade for 'F' grade piston	4	} Chrome bore
	5150416	Liner – Cylinder – 'I' grade for 'G' grade piston	4	
	J.146677	Liner – Cylinder – Ungraded – Plain bore	4	} See Note 4 – Page AC15
	J.144559	Shim – Cylinder liner	A/R	
	9100015	Plug – Camshaft oil hole and pump shaft oil drilling	3	} Service use only. See Note 5 – Page AC15
	J.116510	Plug – Oil gallery	2	
A2	J.27378	Core plug – Disc type	5	} Check type when ordering
	J.144648	Core plug – Bucket type	5	
	J.44473	Core plug	1	
B3	J.112633	Bearing – Camshaft – Front	1	
B4	9661203	Washer – Front camshaft bearing to cylinder block	2	
B5	19605061 s/d 5220697	Screw	2	
	J.112402	Bearing – Camshaft – Centre	1	
	J.112403	Bearing – Camshaft – Rear	1	
	9067023	Washer – Camshaft bearing	4	
	J.110462	Screw	4	
	J.115716 s/d 5043590	Stud – Injection pump drive housing to cylinder block	1	} Up to Engine No. UA18560 From Engine No. UA18561
	5043590	Stud	1	
A6	9146140	Dowel – Cylinder block to clutch housing	2	
A7	J.100433 s/d 5043591	Stud – Fuel lift pump mounting	2	} Up to Engine No. UA25122 From Engine No. UA25123
	5044369	Stud	1	
A8	9146121	Dowel – Injection pump drive housing locating	2	
A9	9146121	Dowel – Timing cover locating	2	
A10	J.500463	Washer – Oil gallery plug	2	
A11	9803012	Plug – Oil gallery	2	
A12	J.500504	Washer – Oil suction and feed transverse plug	2	
A13	J.101027	Plug	2	
	J.116511	Plug – Pump to filter front face	1	
	J.114774 s/d 9804230	Plug – Dipstick hole	1	

ENGINE UNIT – LIGHT DIESEL – 23CV and OE138

Plate Ref.	Part Number	DESCRIPTION	No. per Veh.	REMARKS
		ENGINE UNIT – continued		
B14	J.133210	HOUSING – Front bearing	1	See Note 6 – Page AC15 See Note 7 – Page AC15
	J.137421	HOUSING	1	
B15	J.109448	Dowel	2	
B16	J.60381	Bush – Oil pump shaft	1	
B17	9660243	Washer – Housing – Top to lower half	2	
B18	J.103490	Screw	2	
	J.59032	Gasket – Front bearing housing to cylinder block	1	See Note 8 – Page AC15
	9661203	Washer	3	
	19605071	Screw	3	
	9660203	Washer	2	
	39915140	Screw	2	
B19	J.114613	HOUSING – Centre bearing	1	
	J.143492	HOUSING	1	
B20	J.109448	Dowel	2	
B21	9660243	Washer – Housing top and lower half	2	
B22	J.103490	Screw	2	
	9660363	Washer – Centre bearing housing to cylinder block	1	
	J.59314	Bolt	1	
B23	J.107884	HOUSING – Rear bearing	1	See Note 6 – Page AC15 See Note 7 – Page AC15
	J.142927	HOUSING	1	
B24	J.109448	Dowel	2	
B25	9660243	Washer – Housing top and lower half	2	
B26	J.103490	Screw	2	
	J.59028	Gasket – Rear bearing housing to cylinder block	1	See Note 9 – Page AC15
	J.60890	Plug – Rear bearing housing	2	
	J.59506 s/d J.137214	Cover – Rear oil seal	1	Up to Engine No. CKD 428E – 23CV
	J.105450 s/d J.137214	Adaptor – Oil return groove	1	
	J.60308	Gasket – Cover to rear bearing housing	1	See Note 9 – Page AC15
A27	J.60890	Plug – Rear bearing housing	2	From Engine No. CKD 429E – 23CV
	J.133373 s/d J.137214	Oil seal and rear cover	1	
	J.137205	Oil seal – Rear bearing	1	
	J.120235	Ring – Packing – Rear oil seal – Service use only	1	
	19405112	Bolt – Rear bearing housing and seal cover to cylinder block	8	Up to Engine No. UA20912
	9090051	Tabwasher	1	
	9090052	Tabwasher	2	
	9090053	Tabwasher	1	
	9660203	Washer – Rear bearing housing and seal cover to cylinder block	8	From Engine No. UA20913
	J.143467	Bolt	1	
B28	5150824	Washer – Thrust – Standard – Rear bearing housing	1 pr.	See Note 6 – Page AC15
	5150825	Washer – Thrust .005" (.1270 mm.) oversize	1 pr.	
	5152540	Washer – Thrust – Standard – Rear bearing housing	1 pr.	See Note 7 – Page AC15
	5152541	Washer – Thrust .005" (.1270 mm.) oversize	1 pr.	
B29	5150810	BEARING – MAIN – Standard	1 set	Set of 6 halves. See Note 6 – Page AC15
	5150811	BEARING – MAIN .010" (.254 mm.) undersize	1 set	
	5150812	BEARING – MAIN .020" (.508 mm.) undersize	1 set	
	5150813	BEARING – MAIN .030" (.762 mm.) undersize	1 set	
	5150814	BEARING – MAIN .040" (1.016 mm.) undersize	1 set	

ENGINE UNIT – LIGHT DIESEL – 23CV and OE138

Plate Ref.	Part Number	DESCRIPTION	No. per Veh.	REMARKS
		ENGINE UNIT – continued		
	5152542	BEARING – MAIN – Standard	1 set	Set of 6 halves. See Note 7 – Page AC15
	5152543	BEARING – MAIN .010" (.254 mm.) undersize	1 set	
	5152544	BEARING – MAIN .020" (.508 mm.) undersize	1 set	
	5152545	BEARING – MAIN .040" (1.016 mm.) undersize	1 set	
	5150800 s/d 5150806	PISTON – Grade 'F' for 'I' grade cylinder liner	4	Plain Bore – Up to Engine No. CKD 373E – 23CV
	5150801 s/d 5150807	PISTON – Grade 'G' for 'J' grade cylinder liner	4	
	J.123512	Ring – Compression – No. 1 groove	4	
	5200209	Ring – Compression – Nos. 2 and 3 grooves	8	
	J.123513	Ring – Scraper – Nos. 4 and 5 grooves	8	
	J.109524	Pin – Gudgeon	4	
	J.501906	Circlip	8	
	5150806	PISTON – Grade 'F' for 'I' grade cylinder liner	4	
	5150807	PISTON – Grade 'G' for 'J' grade cylinder liner	4	
	J.123512	Ring – Compression – No. 1 groove	4	
	J.131468	Ring – Compression – Nos. 2 and 3 grooves	8	
	J.131467	Ring – Scraper – Nos. 4 and 5 grooves	8	
	J.109524	Pin – Gudgeon	4	
	J.501906	Circlip	8	
	5150808 s/d 5150809	PISTON – Grade 'F' for 'I' grade cylinder liners	4	Plain bore – From Engine No. CKD 786E – 23CV up to intro- duction of Glow Plug condition Engine No. commencing UA (OE138)
	5150809	PISTON – Grade 'G' for 'J' grade cylinder liners	4	
	J.123512	Ring – Compression – No. 1 groove	4	
	5200209	Ring – Compression – Nos. 2 and 3 grooves	8	
	J.123513	Ring – Scraper – Nos. 4 and 5 grooves	8	
	J.109524	Pin – Gudgeon	4	
	J.501906	Circlip	8	
	5150808 s/d 5150809	PISTON – Grade 'F' for 'H' grade cylinder liners	4	
	5150805 s/d 5150809	PISTON – Grade 'H' for 'J' grade cylinder liners	4	
	5150809	PISTON – Grade 'G' for 'I' grade cylinder liners	4	
	J.123512	Ring – Compression – No. 1 groove	4	
	5200209	Ring – Compression – Nos. 2 and 3 grooves	8	
	J.123513	Ring – Scraper – Nos. 4 and 5 grooves	8	
	J.109524	Pin – Gudgeon	4	
	J.501906	Circlip	8	
	5150803	PISTON – Grade 'F' for 'H' grade cylinder liners	* 4	Chrome bore – Up to Engine No. CKD 785E – 23CV. See also Note 10 – Page AC15
	5150804	PISTON – Grade 'G' for 'I' grade cylinder liners	* 4	
	J.131469	Ring – Compression – No. 1 groove	* 4	
	J.131468	Ring – Compression – Nos. 2 and 3 grooves	* 8	
	J.131467	Ring – Scraper – Nos. 4 and 5 grooves	* 8	
	J.109524	Pin – Gudgeon	4	
	J.501906	Circlip	8	
B30	5150826	PISTON – Grade 'F' for 'H' grade cylinder liners	* 4	
	5150827	PISTON – Grade 'G' for 'I' grade cylinder liners	* 4	
B31	J.131469	Ring – Compression – No. 1 groove	* 4	
B32	J.131468	Ring – Compression – Nos. 2 and 3 grooves	* 8	
B33	J.131467	Ring – Scraper – Nos. 4 and 5 grooves	* 8	
B34	J.109524	Pin – Gudgeon	4	
B35	J.501906	Circlip	8	
	J.202170	ROD – CONNECTING	4	See Note 1 – Page AC15
	J.108875	Bush – Small end	4	
	J.106771	Dowel	4	
	J.108873	Plate – Locking	4	
	J.108872 s/d J.138540	Bolt	8	

ENGINE UNIT – LIGHT DIESEL – 23CV and OE138

Plate Ref.	Part Number	DESCRIPTION	No. per Veh.	REMARKS
		ENGINE UNIT – continued		
	J.209067	ROD – CONNECTING	4	} Up to Engine No. UA 25221. See Notes 2 and 11 – Page AC15
	J.132841	Bush – Small end	4	
	J.106771	Dowel	4	
	J.108873	Plate – Locking	4	
	J.108872 s/d J.138540	Bolt	8	
	J.211726 s/d J.213918	ROD – CONNECTING	4	} From Engine No. UA25222. Note 12 – Page AC16
	J.132841	Bush – Small end	4	
	J.106771	Dowel	4	
	J.138540	Bolt	8	
B36	J.213918	ROD – CONNECTING	4	} See Note 13 – Page AC16
B37	J.146972	Bush – Small end	8	
	J.106771	Dowel	4	
B38	J.138540	Bolt	8	
	5150817	BEARING – CONNECTING ROD – Standard	1 set	} Set comprises 8 halves – undrilled bearings. See Note 1 – Page AC15
	5150818	BEARING – CONNECTING ROD ·010" (·254 mm.) undersize	1 set	
	5150819	BEARING – CONNECTING ROD ·020" (·508 mm.) undersize	1 set	
	5150820	BEARING – CONNECTING ROD ·030" (·762 mm.) undersize	1 set	
	5150821	BEARING – CONNECTING ROD ·040" (1·016 mm.) undersize	1 set	
B39	5152534	BEARING – CONNECTING ROD – Standard	1 set	} Set comprises 8 halves drilled bearings. See Note 2 – Page AC15
	5152535	BEARING – CONNECTING ROD ·010" (·254 mm.) undersize	1 set	
	5152536	BEARING – CONNECTING ROD ·020" (·508 mm.) undersize	1 set	
	5152537	BEARING – CONNECTING ROD ·030" (·762 mm.) undersize	1 set	
	5152538	BEARING – CONNECTING ROD ·040" (1·016 mm.) undersize	1 set	
B40	J.303951	CRANKSHAFT	1	} See Note 6 – Page AC15 See Note 7 – Page AC15
	J.307345	CRANKSHAFT	1	
	J.118632	Plug	4	
B41	J.59230	Wheel – Timing – Crankshaft	1	
	9213008	Key – Timing wheel	1	
	J.117130	Pulley – Crankshaft	1	
	9213008	Key – Crankshaft pulley	1	
	J.56522	Shim – Timing wheel alignment ·004" (·1016 mm.)	A/R	
	J.56523	Shim – Timing wheel alignment ·006" (·1524 mm.)	A/R	
	J.105921	Gear – Oil pump drive	1	
	9213002	Key – Gear to crankshaft	1	
	J.112472	Deflector – Oil	1	
	J.27670	Shim – Jaw nut	A/R	
	J.56575	Tabwasher	1	
	J.110883	Jaw nut	1	
B42	J.113369	FLYWHEEL AND STARTER RING	1	
B43	J.203109	Ring – Starter	1	
	9146120	Dowel	2	
	9198005	Bearing – Stemwheel	1	
	J.500059	Dowel – Flywheel to crankshaft	1	} Up to Engine No. UA25221
B44	W.15314	Lockplate	3	
B45	J.59503	Screw	6	
	J.139441	Disc – Retaining	1	} From Engine No. UA25222
	J.138539	Bolt	6	

ENGINE UNIT – LIGHT DIESEL – 23CV and OE138

Plate Ref.	Part Number	DESCRIPTION	No. per Veh.	REMARKS	
		ENGINE UNIT – continued			
	J.302053 s/d J.306451	CAMSHAFT	1	Up to Engine No. UA14278 From Engine No. UA14279	
B46	J.306451	CAMSHAFT	1		
B47	J.61403	Centre – Camshaft timing wheel	1		
B48	J.61402	Wheel – Timing – Camshaft	1		
	9067237	Washer – Timing wheel centre to timing wheel	6		
	9661203	Washer	6		
	9003045	Bolt	6		
	9213008	Key – Timing wheel centre to camshaft	1		
	J.59236	Lockwasher	1		
	J.59234	Locknut	1		
B49	9226041	CHAIN – TIMING	1		
		PUMP – OIL Not supplied			
B50	J.102217	Body – Oil pump	1	See Note 1 – Page AC15	
B51	J.60381	Bush	1		
B52	J.504934	Shaft and rotor	1		
B53	J.105920	Gear – Driving	1		
B54	9841414	Pin – Gear to shaft	2		
	9661203	Washer – Oil pump to front bearing housing	4		
	19405131	Bolt – Bottom	2		
	J.60289	Bolt – Top L.H.	1		
	19605081	Screw – Top R.H.	1		
	J.59403	Gasket	1		
		PUMP – OIL Not supplied			
	J.133265	Body – Oil pump	1		See Note 2 – Page AC15
	J.60381	Bush	1		
	J.511111	Shaft and rotor	1		
	J.105920	Gear – Driving	1		
	9841414	Pin – Gear to shaft	2		
	9661203	Washer – Oil pump to front bearing housing	4		
	5040844	Bolt – Bottom	2		
	5040845	Bolt – Top L.H.	1		
	5040843	Screw	1		
A55	J.302019	COVER – TIMING	1		
A56	K.28850	Oil seal – Timing cover	1		
	J.112473	Pedestal	1		
A57	J.202959 s/d J.211066	Gasket – Timing cover to cylinder block	1		
	9661203	Washer	17		
	19605051	Screw	17		
	K.28849 s/d P.111356	TENSIONER – CHAIN	1		
	K.29023 s/d K.30053	Kit – Tensioner servicing	1		
	9661163	Washer – Tensioner to front bearing housing	2		
	19104114	Bolt	2		
A58	J.122154 s/d J.305785	HEAD – CYLINDER	1	Up to Engine No. CKD 913E - 23CV. See Note 15 – Page AC16	
	J.305785	HEAD – CYLINDER	1		From Engine No. CKD 914E - 23CV up to the introduction of UA type engines. See Notes 2 and 15 – Pages AC15 – 16 See Note 2 – Page AC15
	J.132906	HEAD – CYLINDER	1	Up to Engine No. UA11577 From Engine No. UA11578	
	J.116516	Plug – Top face	1		
	J.56712	Plug – Rear face	2		
	J.56712	Plug – Disc type – Rear face	1		
	J.27378	Plug – Disc type – Rear face	1		

ENGINE UNIT – LIGHT DIESEL – 23CV and OE138

Plate Ref.	Part Number	DESCRIPTION	No. per Veh.	REMARKS
		ENGINE UNIT – continued		
		HEAD – CYLINDER – continued		
	J.144686	Plug – Bucket type – Rear face	1	} Latest condition 1 off only up to Engine No. CKD 9134 - 23CV
	J.144648	Plug – Bucket type – Rear face	1	
	5200204	Plug – Brass	4	
	J.114774 s/d 9804230	Plug – Taper – Heater feed	1	
	9077011	Washer – Rocker oil feed	1	
	9003041	Screw	1	
	J.58923	Guide – Inlet valve	4	
	J.117154	Insert – Inlet valve seat	4	Service use only
	5200232	Guide – Exhaust valve	4	
	J.112125	Insert – Exhaust valve seat – Service use only	4	Up to Engine No. CKD 913E - 23CV
	J.109493	Tube – Water	2	
	J.203712 s/d J.211350	Chamber – Combustion	4	Up to Engine No. CKD 574E - 23CV
	J.211350	Chamber – Combustion	4	From Engine No. CKD 575E - 23CV up to Engine No. CKD 912E - 23CV
	J.209005 s/d J.209097	Chamber – Combustion	4	From Engine No. CKD 913E - 23CV up to introduction of UA type engines. See Note 2 – Page AC15
	J.209097 s/d J.210477	Chamber – Combustion	4	From introduction of UA type engines. See Note 2 – Page AC15 up to Engine No. UA5839
	J.210477	Chamber – Combustion	4	From Engine No. UA5840. See Note 2 – Page AC15
	J.132954	Tube – Cooling	4	
	J.132955	Plug – Cooling tube	4	
A59	J.132238 s/d J.143745	Adaptor – Glow plug	4	
A60	J.131952	Glow plug	4	
	J.132221	Wiring – Glow plug	1	
A61	J.305921	Gasket – Cylinder head to cylinder block	1	
	5200280	Stud	5	
	9067423 s/d J.146165	Washer	22	
	J.114932	Bolt – Short	8	
	J.114931	Bolt – Long	7	
	W.16076	Bolt – Air cleaner attachment	2	
	9029177	Nut	5	
	5200201	Stud – Exhaust manifold to cylinder head	7	
	J.59413	Stud – Air manifold to cylinder head	2	
A62	5200205	Stud – Short – Rocker pedestal	2	
A63	5109509	Stud – Long – Rocker pedestal and cover	2	
A64	5200206	Stud – Rocker cover	1	
	J.109477 s/d J.143751	VALVE – INLET	4	Up to Engine No. UA23103
B65	J.143751	VALVE – INLET	4	From Engine No. UA23104
	J.113705	VALVE – EXHAUST	4	See Note 1 – Page AC15
B66	J.137158	VALVE – EXHAUST	4	See Note 2 – Page AC15
B67	J.112448 s/d J.138984	Spring – Valve – Inner	8	} Up to Engine No. UA 14278 – See Note 14 – Page AC16
	J.102564	Spring – Valve – Auxiliary inner	8	
B68	J.112449 s/d J.138985	Spring – Valve – Outer	8	
	J.138984	Spring – Valve – Inner	8	} From Engine No. UA14279 – See Note 14 – Page AC16
	J.138985	Spring – Valve – Outer	8	

ENGINE UNIT – LIGHT DIESEL – 23CV and OE138

Plate Ref.	Part Number	DESCRIPTION	No. per Veh.	REMARKS
		ENGINE UNIT – continued		
B69	J.121053	Collar – Valve – Inner	8	
B70	J.113707	Collar – Valve – Outer	8	
B71	J.106663	Cone – Split	8 prs.	
B72	J.113385 s/d J.133152	Cap – Valve end	8	Up to Engine No. CKD 613E - 23CV
	J.133152	Cap	8	From Engine No. CKD 614E - 23CV
B73	J.114041	TAPPET	8	
B74	J.109474	Rod – Push	8	
B75	J.112420	Pedestal – Nos. 1, 2 and 3 rockers	3	
B76	J.112421	Pedestal – No. 4 rocker	1	
	9661163	Washer	1	
	5200199	Lockscrew	1	
	9067036	Washer – Rocker pedestal to cylinder head	4	
	5220703 s/d 5221351	Nut	4	
B77	J.202260	SHAFT – Rocker	1	
B78	J.128075	Spring – Rocker – Inner	2	Up to Engine No. CKD 829E - 23CV
B79	J.133223	Spring – Rocker – Centre	1	
	J.133224	Spacer – Centre rocker spring	1	From Engine No. CKD 830E - 23CV
	J.133223	Spring – Rocker – Centre	3	
B80	J.44630	Washer – Rocker – Outer	2	
B81	J.60733	Collar – End	2	
B82	9842216	Pin – Mills – End collar retaining	2	
B83	J.112550	ROCKER – Nos. 1 and 3 inlet and 2 and 4 exhaust	4	
	J.112551	Bush	4	
B84	J.112549	ROCKER – Nos. 2 and 4 inlet and 1 and 3 exhaust	4	
	J.112551	Bush	4	
B85	J.109495	Screw – Rocker adjusting	8	
B86	J.57110	Locknut – Adjusting screw	8	
A87	J.207144	COVER – ROCKER	1	
	J.103817 s/d J.58182	Screw – Union – Rocker cover breather	1	Up to Engine No. UA7764
	9078026	Washer	1	
	J.58182	Screw – Union	1	From Engine No. UA7765
	9078026	Washer	1	
A88	J.131182	Cap – Oil filler	1	
A89	J.202270 s/d J.205016	Gasket – Rocker cover to cylinder head	1	
	9661203	Washer	3	
	5221350	Nut	3	
A90	J.203855 s/d J.209847	COVER – TAPPET	1	
A91	J.114659 s/d J.138588	Gasket – Tappet cover to cylinder block	1	
	9088191	Washer – Spacing	2	
	9661203	Washer	11	
	19605061 s/d 5220697	Screw	9	
	19605091	Screw	2	Early condition
	19605081	Screw	2	Late condition

ENGINE UNIT – LIGHT DIESEL – 23CV and OE138

Plate Ref.	Part Number	DESCRIPTION	No. per Veh.	REMARKS
	J.205555	ENGINE UNIT – continued		
		FILTER – OIL	1	
A92	5038840	Casing	1	
A93	9067311	Washer	1	
A94	5038841	Headcasting	1	
A95	9122175	Seal – Headcasting	1	
A96	19406482	Centre bolt	1	
A97	9206040	Circlip	1	
A98	5038842	Guide – Element – Top	1	
A99	9122047	Seal – Centre bolt	1	
A100	9207045	Circlip	1	No longer supplied
A101	5038845	Collar	1	
A102	K.26286	Valve – Relief – Engine	1	
A103	9122117	Seal	1	
A104	5038843	Spring – Filter relief valve	1	
A105	5038844	Seat	1	
A106	9187009	Ball	1	
A107	K.26291	Guide – Element – Bottom	1	
A108	K.26293	Spring	1	
A109	9122218	Seal	1	
A110	9107121	'O' Ring	1	
A111	K.26290 s/d K.24477	Element	1	
A112	J.122608	Gasket – Filter to cylinder block	1	
A113	9661241 s/d 5221254	Washer	4	
A114	19406331	Bolt	2	
A115	19606101	Screw	2	
A116	J.113285	STRAINER – OIL – SUMP	1	
	9662103	Washer – Strainer to cylinder block	1	
	19605041	Screw	1	
A117	J.113287	Pipe – Suction complete with bracket	1	
A118	9157118	Sleeve – Suction pipe to cylinder block	1	
A119	J.59093	Tube nut	1	
	9661203	Washer – Suction pipe bracket to cylinder block	1	
	19605041	Screw	1	
A120	J.304197	SUMP	1	
	J.206592 s/d J.211069	Gasket – Sump to cylinder block	1	Up to Engine No. UA6117
A121	J.211069	Gasket	1	From Engine No. UA6118
A122	9661203	Washer	20	
A123	19605071	Screw	20	
A124	9078096	Washer – Drain plug	1	
A125	J.58294	Plug – Sump drain	1	
A126	J.125492	DIPSTICK	1	
	J.32307	Washer – Dipstick	1	
A127	J.125493	Tube – Dipstick	1	
	9078096	Washer – Dipstick tube to sump	1	
A128	J.125475	Bracket – Dipstick tube support	1	
	19503031	Bolt – Support bracket to dipstick tube	1	
	9661163	Washer	1	
	9510030 s/d 5220700	Nut	1	

ENGINE UNIT – LIGHT DIESEL – 23CV and OE138

Plate Ref.	Part Number	DESCRIPTION	No. per Veh.	REMARKS
		ENGINE UNIT – continued		
	5037679 s/d 5044558	PUMP – FUEL LIFT *	1	Up to Engine No. UA25122
C129	5037682	Body and priming lever	1	
C130	K.19789	Spring – Priming lever	1	
C131	5037727	Set – Priming lever parts	1	
C132	K.19776 s/d 5059904	Diaphragm	1	
C133	K.26303	Spring – Diaphragm	1	
C134	5037767	Oil seal	1	
C135	5037662 s/d 5043666	Cover – Top	1	
C136	K.19785 s/d 5058613	Screw	5	
C137	9660123	Washer	5	
C138	K.19263 s/d 5043668	Valve	2	
C139	K.19264 s/d 5033355	Retainer – Valve	1	
C140	9050095	Screw – Valve retainer	2	
C141	K.19265 s/d 5041522	Gasket – Valve	1	
C142	5037681	Arm – Rocker	1	
C143	K.19787 s/d 5220234	Spring – Rocker arm	1	
C144	5031039	Pin	1	
C145	5031044	Retainer – Pin – Rocker arm	2	
C146	9067212	Washer	2	
C147	K.26308	Link	1	
	J.123861 s/d J.138591	Gasket – Lift pump to cylinder block	1	
	5044558	PUMP – FUEL LIFT *	1	From Engine No. UA25123 See Note 16 – Page AC16
	5044556	Body and priming lever	1	
	K.19789	Spring – Priming lever	1	
	5037727	Set – Priming lever parts	1	
	5043669	Diaphragm	1	
	K.26303	Spring – Diaphragm	1	
	5037767	Oil seal	1	
	5043666	Cover and valves	1	
	5043667	Cover	1	
	5043668	Valve	2	
	5041522 s/d K.29656	Gasket – Valve seating	2	
	5220204 s/d 5058613	Screw – Cover retaining	5	
	5037681	Arm – Rocker	1	
	5044557	Spring – Rocker arm	1	
	5031039	Pin	1	
	5031044	Retainer – Rocker arm pin	2	
	9067213	Washer	2	
	K.26308	Link	1	
	J.143475	Gasket – Lift pump to cylinder block	1	
		*NOTE. A replacement fuel lift pump is available in part exchange for the original.		
	9661203	Stud – Fuel lift pump mounting		See cylinder block
	J.104359	Washer – Lift pump to cylinder block	2	
	J.113924	Nut	2	
	J.61877	PIPE – FUEL LEAK-OFF – INJECTOR BLEED	1 set	No longer supplied
	9157004	Union	1	
	5037499	Nipple	4	
		Nut	4	

ENGINE UNIT – LIGHT DIESEL – 23CV and OE138

Plate Ref.	Part Number	DESCRIPTION	No. per Veh.	REMARKS	
	J.126469 s/d J.142740	ENGINE UNIT – continued			
	5037598	INJECTOR – ASSEMBLY	4	Up to Engine No. UA20450 – See Note 17 – Page AC16	
		Nozzle	4		
		Holder – Injector nozzle		Not supplied
		Body		Not supplied
	J.141322	Washer – Inlet adaptor	4		
	J.141321	Adaptor – Inlet	4		
	J.141324	Washer – Leak-off adaptor	4		
	J.141415	Adaptor – Leak-off	4		
	9076056	Washer	4		
	J.142740	INJECTOR – ASSEMBLY	4		From Engine No. UA20451 – See Note 17 – Page AC16
	5043750	Nozzle	4		
		Holder – injector nozzle	Not supplied	
		Body	Not supplied	
	J.141322	Washer – Inlet adaptor	4		
	J.141321	Adaptor – Inlet	4		
	J.141324	Washer – Leak-off adaptor	4		
	J.141415	Adaptor – Leak-off	4		
	9076056	Washer	4		
	J.122116	Shield – Heat	4		
	J.120962	Washer – Sealing	4		
	J.120963	Shim	4		
A148	J.109468	Clamp – Injector to cylinder head	4	See Note 18 – Page AC16 See Note 19 – Page AC16	
A149	J.111689	Stud – Injector clamp	8		
A150	J.109469	Nut	8		
	J.208666	PIPE – FUEL INJECTION PUMP TO No. 1 CYLINDER ..	1		
	J.208670	PIPE	1		
	J.114656	Bracket – No. 1 pipe to injection pump casing	1		
	J.114179	Clip	2		
	J.114178	Grommet	1		
	9661163	Washer	1		
	19503041	Screw	1		
	J.208667	PIPE – FUEL INJECTION PUMP TO No. 2 CYLINDER ..	1	See Note 18 – Page AC16 See Note 19 – Page AC16	
	J.208671	PIPE	1		
	J.114657	Bracket – No. 2 pipe to tappet cover	1		
	J.114179	Clip	2		
	J.114178	Grommet – No. 2 pipe to tappet cover	1		
	9661163	Washer	1		
	19503041	Screw	1		
	J.208668	PIPE – FUEL INJECTION PUMP TO No. 3 CYLINDER ..	1		
	J.208672	PIPE	1		
	J.208669	PIPE – FUEL INJECTION PUMP TO No. 4 CYLINDER ..	1		
	J.208673	PIPE	1		
	J.123618	Clamp – Nos. 3 and 4 injector pipes securing	1	See Note 18 – Page AC16 See Note 19 – Page AC16	
	J.114180	Clip	1		
	J.114178	Grommet	2		
	P.43794	Nut	1		

ENGINE UNIT – LIGHT DIESEL – 23CV and OE138

Plate Ref.	Part Number	DESCRIPTION	No. per Veh.	REMARKS
		ENGINE UNIT – continued		
	5039567	PUMP – FUEL INJECTION	1	
	5041219	Spring – Piston retaining	1	
	5041219 s/d 5060128	Piston – Regulating	1	
	5042597	Sleeve	1	
	5041319	Washer	1	
	5039046	Filter	1	
	5041222	Plug – Regulating sleeve	1	
	5042159	Spring – Regulating	1	
	5041224	Spring – Sleeve retaining	1	
	9151503	Connection – Fuel No longer supplied	1	
	9077044	Washer – Connection	1	
	5041320	Seal – Transfer pump	1	
	5058140	Screw – Head and rotor plugging	1	
	5041321	Seal – Distributor head	1	
	K.28844	Banjo	2	
	9159502	Stud – Fuel connection	2	
	9151007	Connection – Radial No longer supplied	2	
	5041324	Washer – Connections	6	
	P.102770	Washer – Delivery union	4	
	5041325	Screw – Head locking	1	
	9077014	Washer – Head locking screw	1	
	5038390 s/d 5042166	Screw – Head vent	1	
	5042165	Screw	1	
	9077014	Washer – Head vent screw	1	
	5042598	Cover – Adjusting	1	
	5038359	Gasket – Cover	1	
	5042303	Washer – Cover fixing	2	
	5041375	Screw	2	
	5042557	Seal – Drive shaft	2	
	5044627	Circlip No longer supplied	1	
	5042168	Gasket – Control housing	1	
	5041335	Washer	2	
	5042965	Plate – Locking	1	
	5042963	Screw – Locking plate	1	
	5042169	Screw – Adjusting	1	
	5042170	Seal – Adjusting screw	1	
	5042171	Plug	1	
	5058147	Screw – Vent	1	
	5042165	Screw	1	
	9077081	Washer	1	
	5042172	Screw – Idling adjusting	1	
	5042170	Seal – Idling screw	1	
	5042173	Spring	1	
	5042174	Seal – Pinion	2	
	5038358	Plate – Locking	1	
	9067400	Washer – Locking plate	1	
	5042303	Washer	1	
	19503032	Screw	1	
	5042967	Shaft – Shut-off	1	
	5041327	Seal – Shut-off shaft	1	
	5038395	Lever – Shut-off	1	
	9067401	Washer – Shut-off lever	1	

Up to introduction Nos.
See Note 20 – Page AC16

ENGINE UNIT – LIGHT DIESEL – 23CV and OE138

Plate Ref.	Part Number	DESCRIPTION	No. per Veh.	REMARKS
		ENGINE UNIT – continued		
		PUMP – FUEL INJECTION – continued		
	5042303	Washer	1	Up to introduction Nos. See Note 20 – Page AC16
	5041331	Nut	1	
	5038986	Gasket – Housing – Automatic advance	1	
	5041332	Washer – Capnut	1	
	5041235	Capnut – Housing stud	1	
	5058148	Spring – Outer – Piston – Automatic advance	1	
	5041237	Spring – Inner	1	
	5058149	Plug	1	
	5041333	Seal – Plug	1	
	5058150	Cap – Piston spring	1	
	5041333	Seal – Cap	1	
	9003024	Screw	1	
	5041335	Washer – Capscrew	1	
	5041241	Shim 200 mm.	A/R	
	5041242	Shim 500 mm.	A/R	
	5041243	Shim 1.0 mm.	A/R	
	5041244	Shim 2.0 mm.	A/R	
	5041336	Seal – Head locating stud	2	
	5041337	Washer	1	
	5041341	Ball	1	
	9077018	Washer – Nos. 1 and 2 pump delivery outlets	2	
	9151007	Connector	2	
	9077018	Washer – Nos. 3 and 4 pump delivery outlets	4	
	K.28844	Connector	2	
	9159502	Screw – Connector	2	
	9077018	Washer	4	
	K.29138	Arm – Throttle	1	
	5042600	PUMP – FUEL INJECTION COMPLETE WITH REVERSIBLE GOVERNOR HOUSING	1	See Note 20 – Page AC16
	5041219	Spring – Piston retaining	1	
	5041220 s/d 5060128	Piston – Regulating	1	
	5042597	Sleeve	1	
	5041319	Washer – Sleeve	1	
	5039046	Filter	1	
	5041222	Plug – Sleeve	1	
	5042159	Spring – Regulating	1	
	5041224	Spring – Sleeve retaining	1	
	9151503	Connection – Fuel No longer supplied	1	
	9077044	Washer – Fuel connection	1	
	5041320	Seal – Transfer pump	1	
	5058140	Screw – Head and rotor plugging	1	
	5041321	Seal – Distributor head	1	
	K.28844	Banjo	2	
	9159502	Stud – Fuel connection	2	
	9151007	Connection – Radial	2	
	5041327	Washer – Connection	6	
	P.102770	Washer – Delivery union	4	
	5041325	Screw – Head locking	1	
	9077014	Washer	1	
	5038390 s/d 5042166	Screw – Head vent	1	
	5042165	Screw	1	

ENGINE UNIT – LIGHT DIESEL – 23CV and OE138

Plate Ref.	Part Number	DESCRIPTION	No. per Veh.	REMARKS
		ENGINE UNIT – continued		
		PUMP – FUEL INJECTION – continued		
	9077014	Washer – Vent screw	1	
	5042598	Cover – Adjusting	1	
	5038359	Gasket – Cover	1	
	5041375	Screw – Cover fixing	2	
	5042303	Washer	2	
	5042557	Seal – Drive shaft	2	
	5044627	Circlip	1	
	5043913	Spring – Metering valve	1	
	5042294	Gasket – Control housing	1	
	5041335	Washer	2	
	5038129	Screw – Vent	1	
	9077076	Washer – Vent screw	1	
	5042295 s/d 5060104	Shaft – Throttle	1	
	5042174	Seal – Throttle shaft	1	
	5058313	Arm – Throttle	No longer supplied	
	5042314	Washer	1	
	5042297	Plate – Vernier	1	
	5042298	Screw – Plate	1	
	5042299	Shaft – Shut-off	1	
	5042300	Seal – Shut-off shaft	1	
	5042301	Lever – Shut-off	1	
	5042313	Screw – Shut-off lever	1	
	5042303	Washer	1	
	5042304	Screw – Idling adjusting	1	
	5041331	Nut	1	
	5042305	Screw – Adjusting	1	
	5042305 s/d 5060104	Plate – Stop	1	
	5038986	Gasket – Housing	1	
	5041332	Washer – Capnut	1	
	5041235	Capnut	1	
	5058148	Spring – Outer – Piston	1	
	5041237	Spring – Inner	1	
	5058149	Plug – Piston	1	
	5041333	Seal – Plug	1	
	5058150	Cap – Piston spring	1	
	5041333	Seal	1	
	9003024	Screw	1	
	5041335	Washer	1	
	5041241	Shim .200 mm.	A/R	
	5041242	Shim .500 mm.	A/R	
	5041243	Shim 1.0 mm.	A/R	
	5041244	Shim 2.0 mm.	A/R	
	5041336	Seal – Head locating stud	2	
	5041337	Washer	1	
	5041341	Ball – Steel	1	
	K.28844	Connector – Short – Fuel pipes to pump	2	
	9159502	Banjo bolt	2	
	K.28843 s/d 9151007	Connector – Radial	2	
	5041324	Washer – Connections	6	

See Note 20 – Page AC16

ENGINE UNIT – LIGHT DIESEL – 23CV and OE138

Plate Ref.	Part Number	DESCRIPTION	No. per Veh.	REMARKS
		ENGINE UNIT – continued		
	J.203136	DRIVE – INJECTION PUMP	1	
	J.116167	Casing – Pump drive	1	
B151	J.112622	Bush – Drive gear	1	
B152	J.112624	Gear – Idler	1	
B153	J.112620	Bush – Idler gear	1	
B154	J.112592	Spindle	1	
B155	J.112621	Washer – Thrust	2	
B156	J.503178	Washer – Idler gear spindle to drive housing – Front	1	
B157	9067027	Washer	1	
B158	19505051 s/d 5220684	Screw	1	
B159	J.500171	Washer – Idler gear spindle to drive housing – Rear	1	
B160	P.43793	Nut	1	
B161	9107054	'O' Ring	1	
B162	J.112631	Retainer – 'O' Ring	1	
B163	J.112623	Gear – Pump drive	1	
B164	J.112593	Adaptor	1	
B165	9067237	Washer – Adaptor retaining	1	} Up to Engine No. UA9932
B166	9661203	Washer	1	
B167	J.112619	Peg	1	} From Engine No. UA9933
	9077015	Washer – Adaptor retaining	1	
A168	J.112455	Plate – Blanking	1	
	J.112456	Gasket – Blanking plate to pump drive casing	1	
	19504052	Screw	2	
	9661163	Washer	2	
A169	J.112591 s/d J.138584	Gasket – Pump drive casing to cylinder block	1	
	J.119569	Shim .005" (.1270 mm.)	A/R	
	J.119570	Shim .010" (.2540 mm.)	A/R	
	9661203	Washer	6	
	19605081	Screw	5	} Early condition
	19605081	Screw	1	
	19605071	Screw	4	} Late condition up to Engine No. UA18560
	19605081	Screw	4	
	19605091	Screw	1	} From Engine No. UA18561
	5221350	Stud	1	
	J.109549	Nut	1	} See cylinder block
	J.112466 s/d J.138585	Stud – Injection pump to drive casing	3	
	9067237	Gasket	1	
	9661203	Washer	3	
	5221350	Washer	3	
	J.113459	Nut	3	
	J.113452	Bracket – Return spring	1	
	J.48008	Bracket – Abutment	1	
	9661121	Clip – Abutment bracket	1	
	39203100	Washer	1	
		Screw	1	

ENGINE UNIT – LIGHT DIESEL – 23CV and OE138

Plate Ref.	Part Number	DESCRIPTION	No. per Veh.	REMARKS
		<p style="text-align: center;">NOTES – ENGINE UNIT</p> <p>NOTE 1. Fitted up to chassis numbers listed in Note 2.</p> <p>NOTE 2. Fitted from chassis numbers: PLAIN BORE 3023-001856/63 – 001905/8 – 001920 onwards 4023-000928 4035-000109 CHROME BORE 3023-001789 4023-000895 4035-000104.</p> <p>NOTE 3. Fitted from Engine and Chassis numbers: Engine numbers: UA17740/2 and UA17748 onwards. Chassis numbers: Plain bore 3023-004441 4023-002215 4035-000477. Chrome bore 3023-004442 4023-002272 4035-000462.</p> <p>NOTE 4. Please note the following supersessions of Graded pistons and Liners: 5150413 – 'H' grade } Liners } Superseded by 5150414 – 'I' grade } J.146677 – 5150417 – 'J' grade } Ungraded</p> <p>5150805 – 'H' grade } Pistons } Superseded by 5150808 – 'F' grade } 'G' grade</p> <p>NOTE 5. Introduction of Cylinder liner shims. Service Scheme SS.51/65 refers.</p> <p>NOTE 6. Used with Crankshaft J.303951 up to Engine No. UA40826.</p> <p>NOTE 7. Used with Crankshaft J.307345 from Engine No. UA40827.</p> <p>NOTE 8. Gasket J.59032 is now replaced by 'Hylomar' jointing compound.</p> <p>NOTE 9. A proprietary jointing compound is now used in place of gaskets J.59028 and J.60308.</p> <p>NOTE 10. 23CV engine suffixed by letter 'C' and OE138 engine suffixed by letter 'K' denotes engines with chrome bore liners using tin plated items marked *.</p> <p>NOTE 11. Locking plates must be used with early type bolts but are not required with late type.</p>		

ENGINE UNIT – LIGHT DIESEL – 23CV and OE138

Plate Ref.	Part Number	DESCRIPTION	No. per Veh.	REMARKS
		<p style="text-align: center;">NOTES – ENGINE UNIT – continued</p> <p>NOTE 12. Connecting rod assembly J.211726 is identified by .1875" (4.762 mm.) diameter oil hole and one small end bush. Connecting rod assemblies J.211726 and J.213918 are fully interchangeable as assemblies.</p> <p>NOTE 13. Connecting rod assembly J.213918 is identified by .0625" (1.587 mm.) diameter oil hole and two small end bushes. Connecting rod assemblies J.213918 and J.211726 are fully interchangeable as assemblies.</p> <p>NOTE 14. Valve springs J.138984/5 must be fitted when replacing early camshaft J.302053 with late camshaft J.306451.</p> <p>NOTE 15. Cylinder head assemblies J.122154 and J.305785 and component parts are fully interchangeable with the exception of combustion chambers J.209151 and J.209005.</p> <p>NOTE 16. When fitting fuel lift pump 5044558, a new stud 5044369 and gasket J.143475 must be fitted.</p> <p>NOTE 17. Latest injector assemblies are interchangeable in sets only providing latest leak-off pipes are also fitted.</p> <p>NOTE 18. Used prior to the introduction of the revised Light Diesel Engine.</p> <p>NOTE 19. Fitted from Chassis numbers: Plain bore 3023-001856/63 – 001905/8 – 001920 onwards. 4023-000928 4035-000109. Chrome bore 3023-001789 4023-000895 4035-000104.</p> <p>NOTE 20. Fitted from Engine and Chassis numbers: Engine numbers – UA17740/2 and UA17748 onwards. Chassis numbers – Plain bore: 3023-004441 4023-002215 4035-000477. Chrome bore: 3023-00442 4023-002272 4035-000462.</p>		

ENGINE AUXILIARIES – LIGHT DIESEL – 23CV and OE138

Plate Ref.	Part Number	DESCRIPTION	No. per Veh.	REMARKS
	5200498	GASKETS – Top overhaul set	1	} See Electrical Section
		ADAPTOR – Oil pressure switch		
		Washer – Adaptor		
	W.48016	SUPPORT – ENGINE – Front	2	
	3049459	BRACKET – Engine mounting – Front	1	
	19110222	Bolt – Front support to cylinder block	3	
	19110181	Bolt	1	
	9551103 s/d 9571103	Nut	4	
	3017662	Rubber – Front engine mounting	1	
	19506092 s/d 5220687	Screw – Rubber to mounting bracket	2	
	9660243	Washer	2	
	5221351	Nut	2	
	19506061 s/d 5220686	Screw – Rubber to plate	2	
	9660243	Washer	2	
	5221351	Nut	2	
	3049456	Plate – Front engine mounting	1	
	19506061 s/d 5220686	Screw – Mounting plate to frame	4	
	9660243	Washer	4	
	5221357	Nut	4	
	3049467	BRACKET – Engine mounting – Rear	2	
	9660283	Washer – Bracket to bell housing	8	
	19607092	Screw	8	
	W.14798	Rubber – Rear engine mounting	2	
	19110281	Bolt – Mounting rubber	2	
	W.12873	Washer – Rebound	2	
	9551103 s/d 9571103	Nut	2	
	19506081 s/d 5220686	Screw – Mounting rubber to mounting bracket	4	
	9660243	Washer	4	
	5221351	Nut	4	
	J.207137	PIPE – ENGINE BREATHER	1	
	J.115656 s/d J.138589	Gasket – Breather pipe to tappet cover	1	
	9661203	Washer	2	
	5221350	Nut	2	Early condition
	19505062	Screw	2	Late condition
	J.126816	Clip – Breather pipe to cylinder block	1	
	19504052	Screw	1	
	9661163	Washer	1	
	9510040	Nut	1	
	J.126834	Cleaner – Crankcase breather	1	
	9782181	Clip – Cleaner to breather pipe	1	
	J.113449	Tube – Connecting – Breather – Rocker cover to air inlet manifold	1	} From Engine No. UA7765
	J.207137	Pipe – Breather – Tappet cover	1	
	9078026	Washer – Union screw – Breather tube to rocker cover	1	
	J.58182	Screw – Union	1	
	J.505101 s/d J.511927	PUMP – WATER	1	
	J.510999 s/d J.511927	PUMP – WATER	1	

ENGINE AUXILIARIES – LIGHT DIESEL – 23CV and OE138

Plate Ref.	Part Number	DESCRIPTION	No. per Veh.	REMARKS
D170	J.511927	PUMP – WATER	1	No longer supplied – See Data 2A/367
	J.210459	Body – Pump	1	
D171	J.132847 s/d 75060358	Housing – Bearing – Assembly	1	See Data 2A/367
	75060358	Housing – Bearing – Assembly	1	
D172	J.200287	Housing – Bearing	1	
D173	J.105981	Impellor	1	
D174	J.132846	Spindle	1	
D175	K.28848	Seal	1	
D176	9198002	Bearing	2	
D177	K.28847	Seal – Bearing	1	
D178	J.100760	Spacer	1	
D179	J.101092	Washer – Abutment	1	
D180	9616074	Circlip	1	
D181	J.100763	Snap – Ring	1	
D182	9067411	Washer – Hub to spindle	1	
D183	P.43793	Nut	1	
D184	J.132845	Centre – Fan pulley	1	
D185	9213004	Key – Fan centre to spindle	1	
D186	J.138587	Gasket – Bearing housing to pump body	1	
D187	J.56243	Stud	2	
D188	9661241 s/d 5221254	Washer	2	
	9510060 s/d 5221351	Nut	2	
NOTE. A replacement housing assembly is available in part exchange for the original.				
D189	J.116431	PULLEY – FAN	1	
D190	19505071 s/d 5220692	Screw – Fan and pulley to fan centre	4	
D191	9661203	Washer	4	
D192	J.56237 s/d J.138586	Gasket – Water pump to cylinder block	1	Up to Engine No. CKD 857E – 23CV
	9661241 s/d 5221254	Washer	2	
	19406181	Bolt	2	
	J.56237 s/d J.138586	Gasket – Water pump and bracket to cylinder block	1	From Engine No. CKD 858E – 23CV
	3020104	Bracket – Dynamo adjusting link	1	
	9661241 s/d 5221254	Washer	3	
	19406221	Bolt	1	
	19406202	Bolt	1	
	19406181	Bolt	1	
	9217027	Nipple – Water pump lubrication	1	
	9151601	Adaptor	1	
	P.94732	Bracket	1	
	9067034	Washer	1	
	9029014	Locknut	1	
	W.15858	Pipe	1	
	9157104	Olive	2	
	9056054	Nut	2	
	9150051	Elbow	1	
	9152101	Union	1	
	9067103	Washer – Bracket retaining – Water pump lubrication	1	
	19505092	Screw	1	

ENGINE AUXILIARIES – LIGHT DIESEL – 23CV and OE138

Plate Ref.	Part Number	DESCRIPTION	No. per Veh.	REMARKS
D193	J.122744	THERMOSTAT	1	
D194	J.202263	Housing – Thermostat	1	
D195	J.119888	Plug – Thermostat housing	1	
D196	5200207 s/d J.139345	Gasket – Thermostat housing to cylinder head	1	
D197	9661203	Washer	6	
D198	19605081	Screw	4	
D199	19405271	Bolt	2	
D200	J.110527	Pipe – Water outlet	1	
D201	J.57103	Gasket – Pipe to thermostat housing	1	
D202	9661203	Washer	2	
D203	19505071 s/d 5220692	Screw	2	
D204	J.109315	Hose – Thermostat housing to water pump	1	
D205	9787183	Clip	2	
D206	J.203373	FAN	1	
D207	J.100242	Balance	A/R	
D208	J.204674 s/d 5041872	BELT – FAN	1	
E209	J.304195	MANIFOLD – EXHAUST	1	
	9661241 s/d 5221254	Washer – Exhaust manifold to cylinder head	7	
	9029139	Nut	7	
E210	J.301589	MANIFOLD – INDUCTION	1	
E211	9078039	Washer – Air manifold plug	1	} See Note 1 – Page AC23
E212	9803036	Plug – Air manifold	1	
	9077686	Washer – Air manifold plug	1	} See Note 2 – Page AC23
	J.122044	Plug – Air manifold	1	
E213	5200203	Gasket – Outer – Air and exhaust manifold to cylinder head	2	
E214	5200200	Gasket – Inner	1	
	9661241 s/d 5221254	Washer – Air manifold to cylinder head	2	
	9029139	Nut	2	
E215	J.203258	ADAPTOR – AIR MANIFOLD TO AIR CLEANER HOSE	1	} When Servo not fitted
E216	J.109480	Gasket – Adaptor to air manifold	1	
E217	J.60322	Stud – Front – Adaptor to air manifold	1	
E218	J.113509	Stud – Rear	1	
	9067418	Washer	2	
	9661241 s/d 5221254	Washer	2	
	9510060 s/d 5221351	Nut	2	
E219	J.146172	VENTURI	1	
		Body Not supplied		
E220	J.138231	Spindle	1	} When Servo fitted
E221	J.102998	Butterfly	1	
E222	J.61458	Screw – Butterfly to spindle	2	
E223	J.146173	Lever – Venturi	1	
E224	J.138232	Lever – Idling	1	
E225	9842209	Pin – Levers to spindle	2	
E226	J.103049	Locknut – Max adjustment bolt – Idling lever	1	
E227	J.103074	Bolt – Max adjustment – Idling lever	1	
E228	9520050	Locknut – Cam adjusting screw – Idling lever	1	
E229	J.103048	Screw – Cam adjusting	1	
E230	J.133983	Bolt – Banjo	1	
E231	9078020	Washer – Banjo bolt	1	
E232	9078031	Washer	1	

ENGINE AUXILIARIES – LIGHT DIESEL – 23CV and OE138

Plate Ref.	Part Number	DESCRIPTION	No. per Veh.	REMARKS	
	J.109480	Gasket – Venturi to air manifold	1	} When Servo fitted	
	J.60322	Stud – Front	1		
	J.113509 s/d 5200210	Stud – Rear	1		
	9067418	Washer	2		
	9661241 s/d 5221254	Washer	2		
	9510060 s/d 5221351	Nut	2		
	5039241	THERMOSTART – COLD STARTING AID	1	} See Electrical section	
		DYNAMO			
	J.117140	Pulley – Dynamo	1		
	1214625	Ventilator	1	} Canada only	
A233	W.47416	Bracket – Dynamo support	1		
	3055989	Bracket – Dynamo support Not supplied	1		
A234	9660203	Washer – Dynamo support bracket to cylinder block	4		
A235	19605071	Screw	4		
	19505101	Screw – Dynamo to support bracket	2		
	9067030	Washer	2		
	9660203	Washer	2		
	9510051 s/d 5221350	Nut	2		
	9067027	Washer – Adjusting strap to dynamo	1		
	19605071	Screw	1		
	W.15559 s/d 3020105	Strap – Dynamo adjusting	1		} Up to Engine No. CKD 857E – 23CV
	J.106706	Tabwasher – Adjusting strap to water pump	1		
	19406221	Bolt	1		
	3020105	Strap – Dynamo adjusting	1	} From Engine No. CKD 858E – 23CV	
	19506082	Screw – Adjusting link to bracket	1		
	9660243	Washer	1		
	9510060 s/d 5221351	Nut	1		
		STARTER		} See Electrical section	
	19107202	Bolt – Starter motor to clutch housing	3		
	9660283	Washer	3		
	9510070 s/d 5220704	Nut	3		
	W.15842	TAP – DRAIN	1		
	W.13173	Washer – Drain tap	1		
	3018202	Bracket – Drain tap control	1		
	W.15850	Rod	1		
	P.22752	Spring	1		
	9067023	Washer	1		
	9843114	Pin	1		
	3052510	PIPE – FUEL LIFT PUMP TO FILTER	1		} See Note 3 – Page AC23
	9157108	Olive	1		
	9156065	Nut	1		
	9159017	Banjo	1		
	9151215	Union	1		
	P.45754 s/d P.46297	Washer – Banjo bolt – Pipe – Lift pump to filter – Filter end	2		
	5031916	Bolt – Banjo	1	} See Note 4 – Page AC23	
	5050885	PIPE – FUEL LIFT PUMP TO FILTER	1		
	9156065	Nut	1		
	9157108	Olive	1		
	W.14715	Banjo	2		
	P.45757	Washer – Union	1		
	9151215	Union	1		
	W.13173	Washer – Banjo bolt – Filter end	2		
	W.13172	Bolt – Banjo	1		

ENGINE AUXILIARIES – LIGHT DIESEL – 23CV and OE138

Plate Ref.	Part Number	DESCRIPTION	No. per Veh.	REMARKS	
	3054386	PIPE – FUEL LIFT PUMP TO FILTER	1		
	9157108	Olive	1		
	9156065	Nut	1		
	W.14715	Banjo	1		
	9151215	Union	2		
	P.45757	Washer – Union	1		
	W.13173	Washer – Banjo bolt – Filter end	2		
	W.13172	Bolt – Banjo	1		
	3021312 s/d J.123618	Clamp and bolt – Fuel pipe – Lift pump to filter attachment ..	1		
	3021313 s/d J.114180	Clamp	1		
	3021314 s/d J.114178	Grommet	2		
	3021315 s/d 9571053	Nut	1		
	1046909	FILTER – FUEL OIL	1		
	5038323	Cover – Housing	1		
	K.23861	Washer – Cover seal	1		
	5038130	Bolt – Cover to casing	1		
	9077071	Washer – Cover bolt	1		
	9077076	Washer	1		
	5038129	Plug	1		
	5038122	Housing	1		
	5038123	Bolt – Centre	1		
	9077076	Washer – Centre bolt	1		
	5038129	Plug	1		
	5038124	Cup – Base	1	See Note 3 – Page AC23	
	9122212	Seal – Base cup	1		
	K.26639	Collar – Sealing	1		
	K.26640	Ring – Sealing collar	1		
	P.49353	Circlip – Centre bolt	1		
	K.23863	Element	1		
	5038126	Sleeve – Locating	1		
	9107027	Ring – Element sealing	1		
	9067427	Washer	1		
	5038125	Spring	1		
	1046804	Valve – Relief – Non-return	1		
	5031071	Adaptor	1		
	3050816 s/d 1800108	FILTER – FUEL OIL	1		See Note 4 – Page AC23
	5038935	Head – Filter	1		
	5038882	Bolt – Centre	1		
	9077634	Washer – Centre bolt	1		
	9107030	Ring – Element sealing	1		
	5038883	Element	1		
	9122230	Ring – Sealing – Head and base	2		
	5039024	Base and stud	1		
	5039064	Valve – Relief – Non-return	1		
	5038937	Valve – Non-return – Return line	1		
	J.129077	Plug	1		
	9077097	Washer	2		
	9077108	Washer	1		
	3050891	Bracket – Filter support	1		
	19506091 s/d 5220687	Screw – Filter to support bracket	1		
	19506101	Screw	1		
	9660243	Washer	2		
	9510060 s/d 5221351	Nut	2		
	9660243	Washer – Support bracket to cylinder block	2		
	19606061 s/d 5220699	Screw	2		

ENGINE AUXILIARIES – LIGHT DIESEL – 23CV and OE138

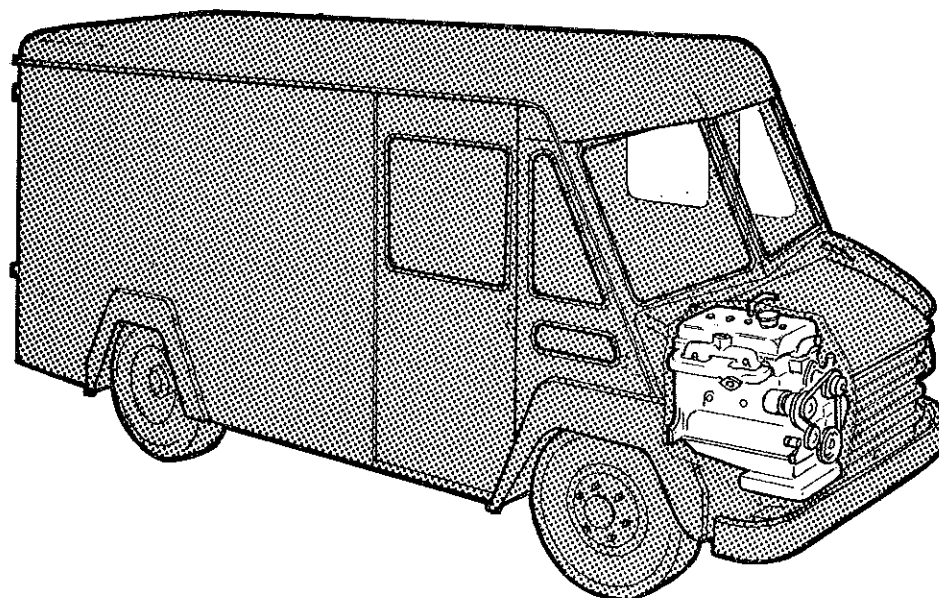
Plate Ref.	Part Number	DESCRIPTION	No. per Veh.	REMARKS
	3050622	PIPE – FUEL FILTER TO INJECTION PUMP – DELIVERY ..	1	} See Note 3 – Page AC23
	P.45749	Connection – Pump end	1	
	P.45753	Banjo – Pipe to filter	1	
	5031916	Bolt – Banjo	1	
	P.45754 s/d P.46297	Washer	2	
	3050887	PIPE – FUEL FILTER TO INJECTION PUMP – DELIVERY ..	1	} See Note 4 – Page AC23
	P.45749	Connection – Pump end	1	
	3017625	Banjo – Pipe to filter	1	
	W.10172	Bolt – Banjo	1	
	W.13173	Washer	1	
	3050624 s/d 3049387	PIPE – FUEL FILTER TO INJECTION PUMP – RETURN ..	1	} See Note 3 – Page AC23
	P.45749	Connection – Pump end	1	
	3017625	Banjo – Pipe to filter	1	
	W.13172	Bolt – Banjo	1	
	W.13173	Washer	1	
	3050889	PIPE – FUEL FILTER TO INJECTION PUMP – RETURN ..	1	} See Note 4 – Page AC23
	P.45749	Connection – Pump end	1	
	3017625	Banjo	1	
	W.13172	Bolt – Banjo	1	
	W.13173	Washer	2	
		PIPE – FUEL FILTER TO 3-WAY		} See Fuel system
		CONNECTION – 3-WAY		
		PIPE – 3-WAY TO HOSE		
		PIPE – 3-WAY HOSE TO RESERVOIR		
		HOSE – LEAK-OFF TO RESERVOIR		
		PIPE – LEAK-OFF HOSE TO RESERVOIR		
		RESERVOIR – FUEL		
		PIPE – FUEL RESERVOIR TO STARTING AID LEVER – THROTTLE		
		Spring – Return – Injection pump cut-off lever	1	
		Nipple – Cable	1	
	J.60274	Screw	1	} See Accelerator controls
	J.115774	Fork end – Injection pump cut-off lever	1	
	39812061	Jaw pin	1	
	J.115788	Washer	1	
	9144001	SILENCER AND AIR CLEANER	1	
F236	5039244	Cover	1	
F237	K.13639	Gasket – Cover	1	
F238	9078077	Washer – Wing nut	1	
F239	9023007	Wing nut	1	
F240	K.18344	Element	1	
F241	K.16818	Gasket – Element seating	1	
F242	5039245	Container – Oil	1	
F243	3049487	Bracket – Air cleaner mounting	1	} When Servo fitted
	19505082	Screw – Mounting bracket clamping	1	
	9660203	Washer	1	
	9510051 s/d 5221350	Nut	1	
	9660163	Washer – Mounting bracket to dashboard	4	
	19504052	Screw	4	
F244	3049484	Hose – Air cleaner to adaptor	1	
	3058443	Hose – Air cleaner to venturi	1	
F245	9782461	Clip – Hose to air cleaner	1	
F246	9782401	Clip – Hose to adaptor or venturi	1	

ENGINE AUXILIARIES – LIGHT DIESEL – 23CV and OE138

Plate Ref.	Part Number	DESCRIPTION	No. per Veh.	REMARKS
	3020559	ROD – TIE	1	Comprises 2 halves
	P.56418	Grommet – Tie rod to support bracket	1	
	9067031	Washer	2	
	9510051 s/d 5221350	Nut	2	
	9520050	Locknut	2	
	3018320	Bracket – Stabiliser – Front	1	
	19506071	Screw – Support bracket to crossmember	2	
	9660243	Washer	2	
	9510060 s/d 5221351	Nut	2	
	9067039	Washer – Tie rod to clutch housing	2	
	9664243	Washer	1	
	19406121	Bolt	1	
		NOTE 1. Fitted up to Chassis numbers listed in Note 2.		
		NOTE 2. Fitted from Chassis numbers: Plain bore – 3023-001856/63 – 001905/8 – 001920 onwards 4023-000928 4035-000109. Chrome bore – 3023-001789 4023-000895 4035-000104.		
		NOTE 3. Fitted up to Chassis numbers listed in Note 4.		
		NOTE 4. Fitted from Chassis numbers: Plain bore – 3023-000788 4023-000395 4035-000029. Chrome bore – 3023-000831 4023-000415 4035-000047.		

SECTION AD

ENGINE UNIT AND AUXILIARIES LIGHT DIESEL – OE160



ENGINE UNIT AND AUXILIARIES – LIGHT DIESEL – OE160

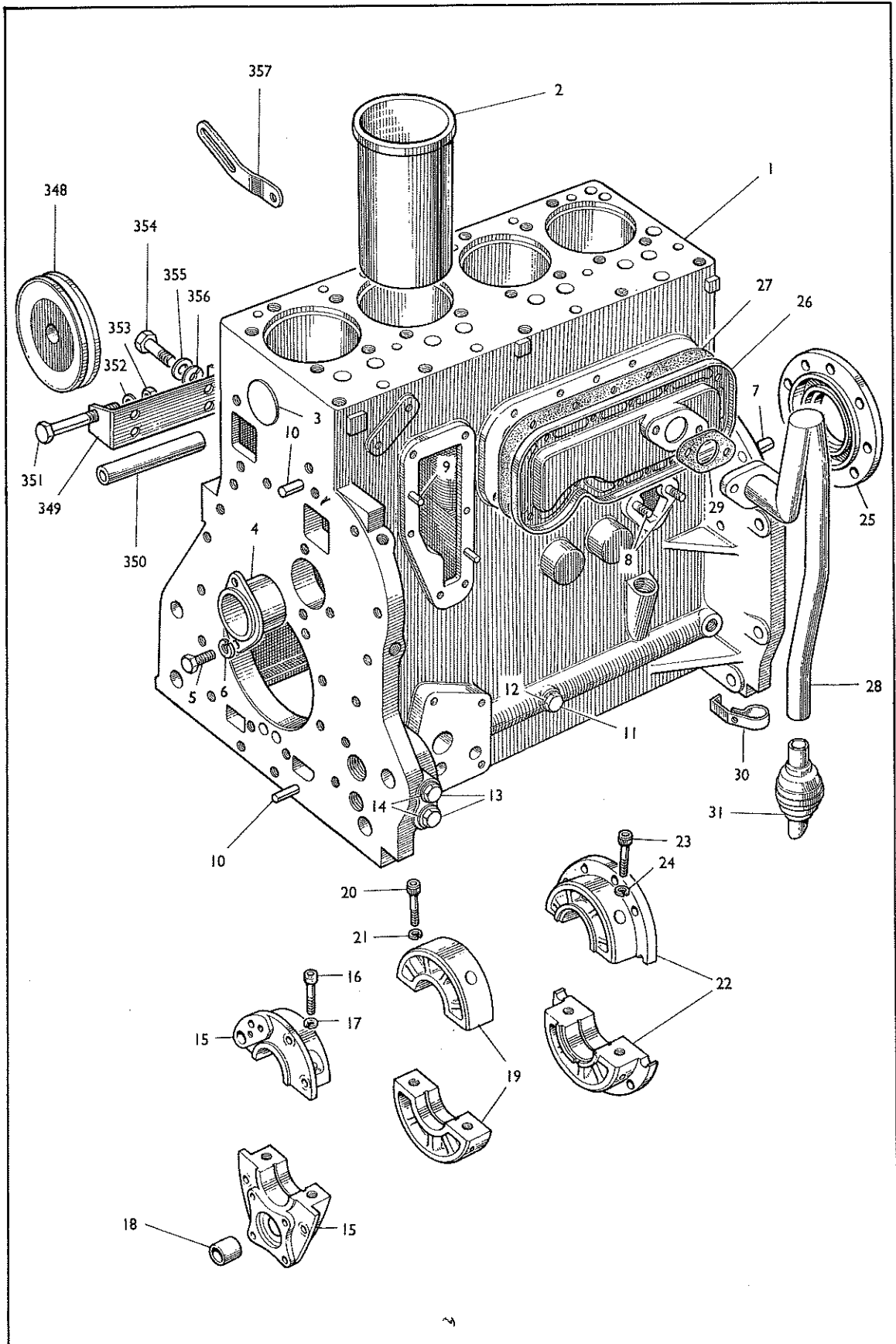


PLATE A – SECTION AD

ENGINE UNIT AND AUXILIARIES - LIGHT DIESEL - OE160

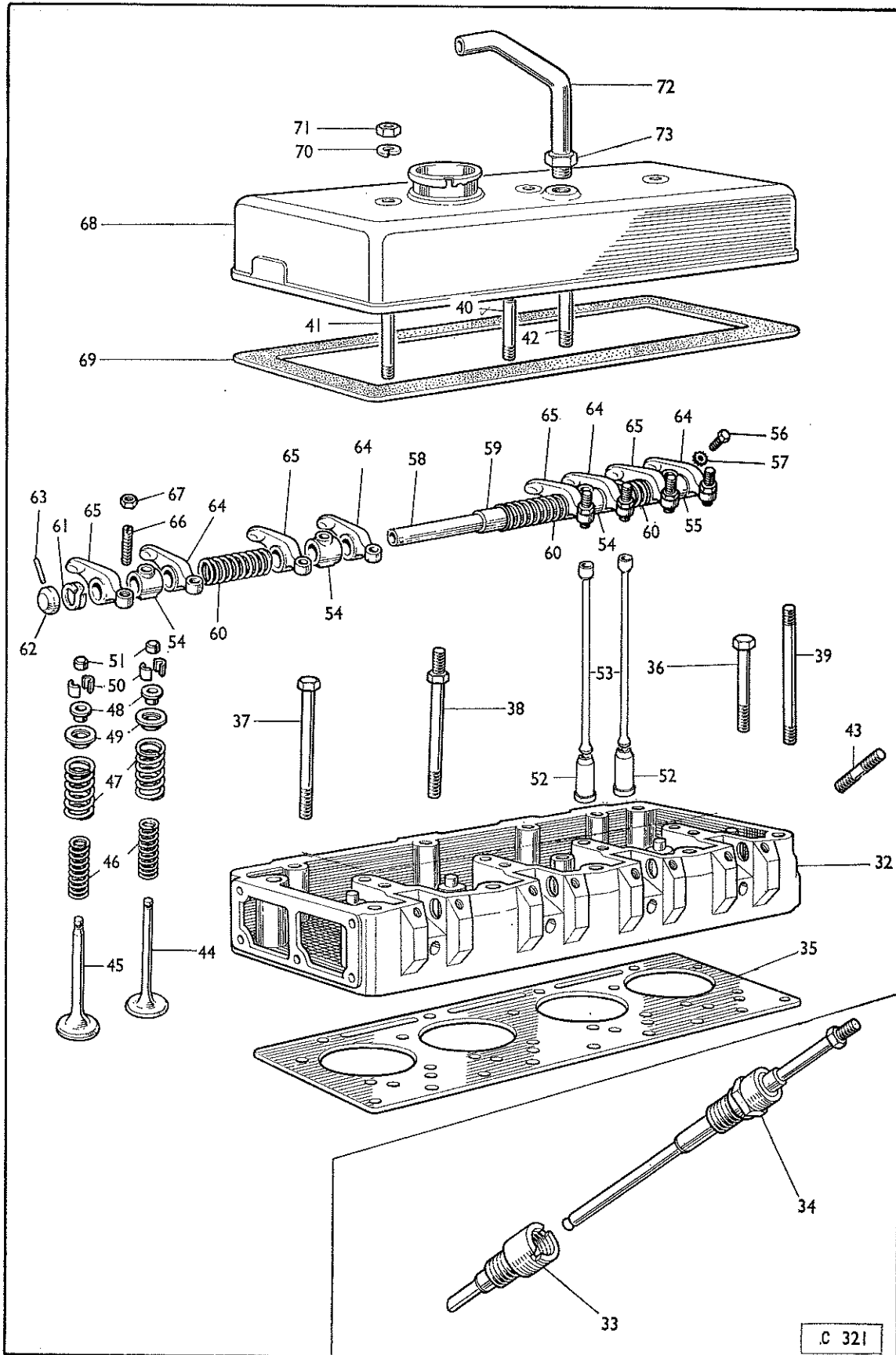


PLATE B - SECTION AD

ENGINE UNIT AND AUXILIARIES - LIGHT DIESEL - OE160

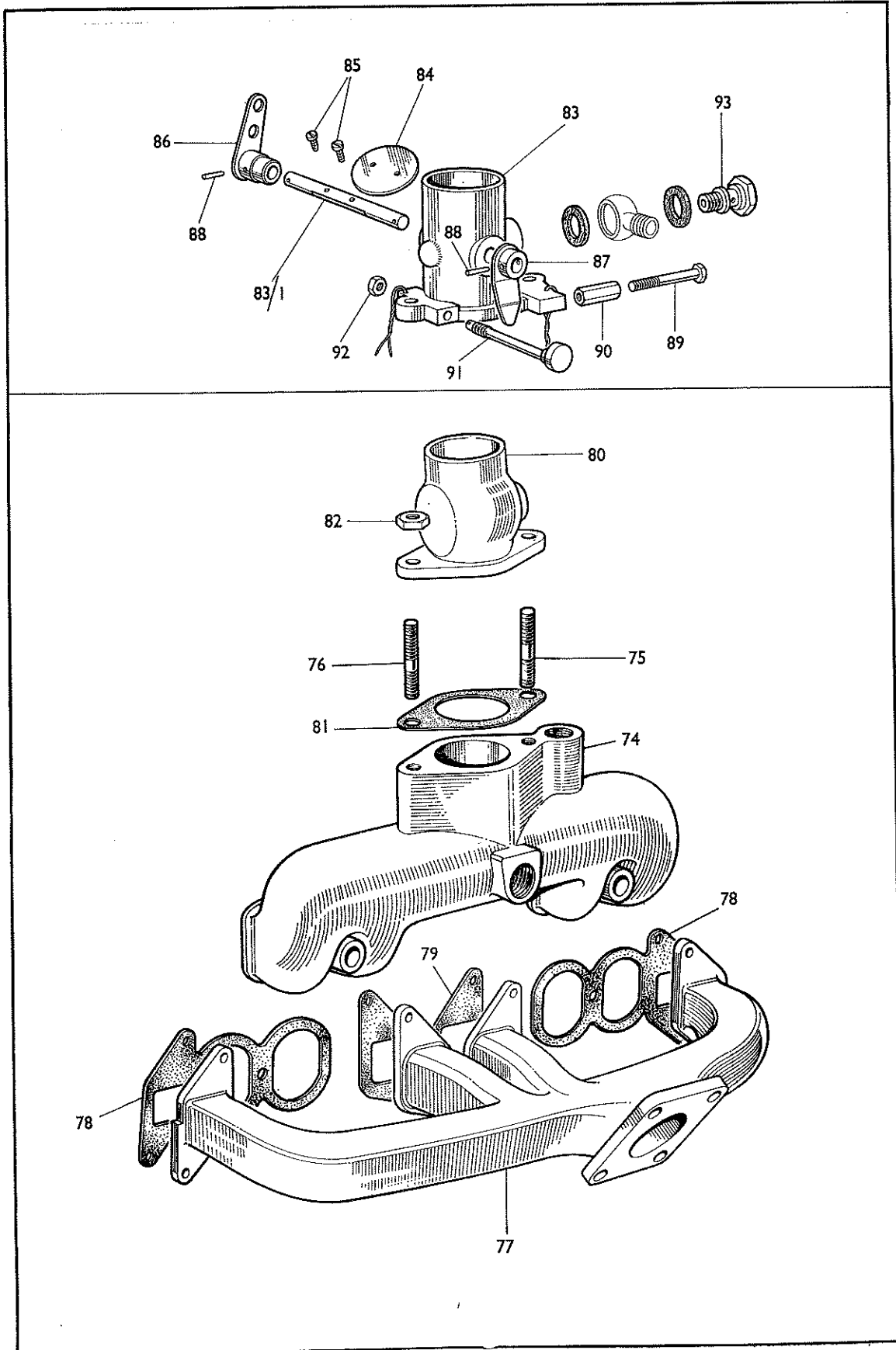


PLATE C - SECTION AD

ENGINE UNIT AND AUXILIARIES - LIGHT DIESEL - OE160

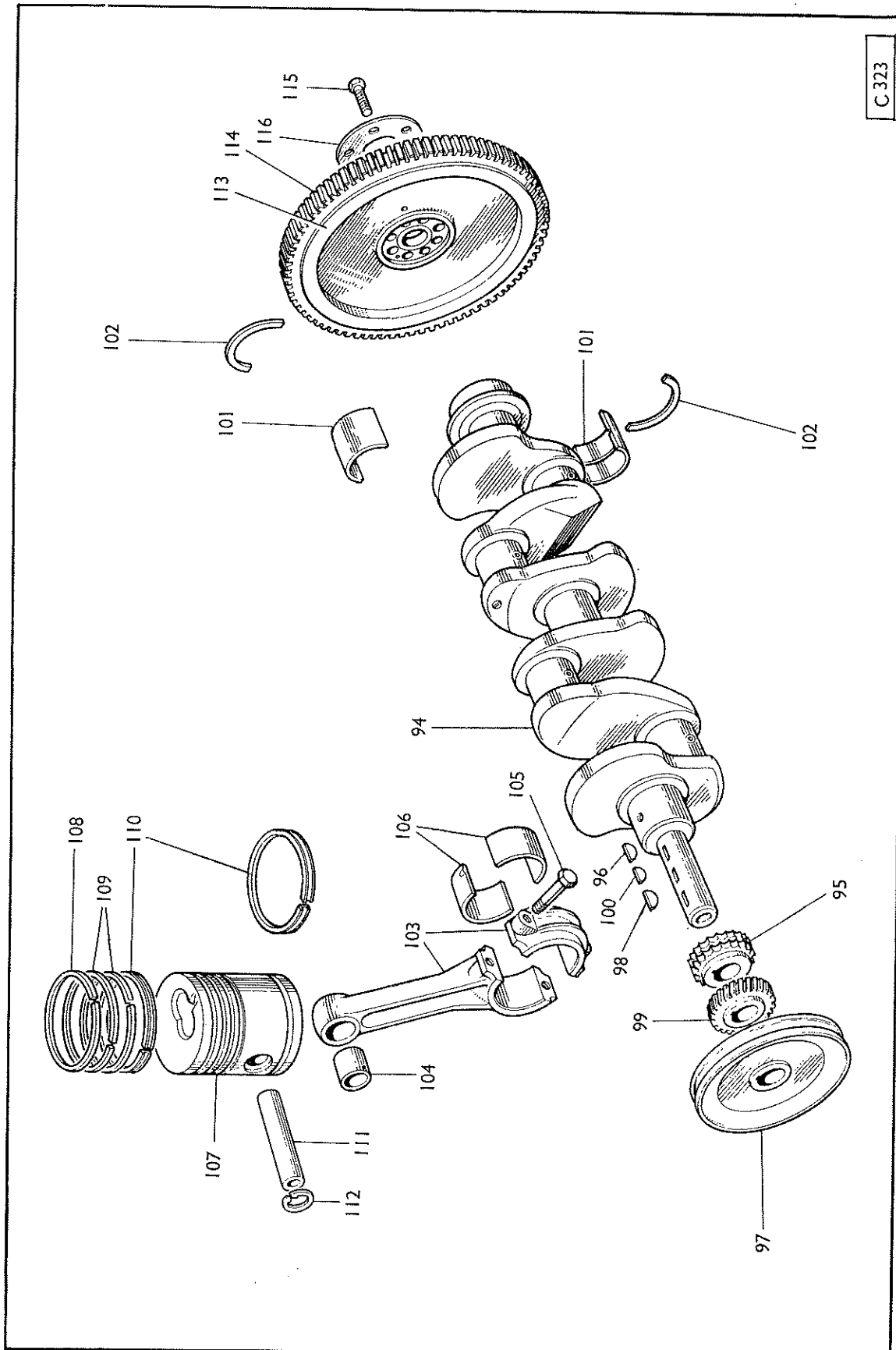


PLATE D - SECTION AD

ENGINE UNIT AND AUXILIARIES - LIGHT DIESEL - OE160

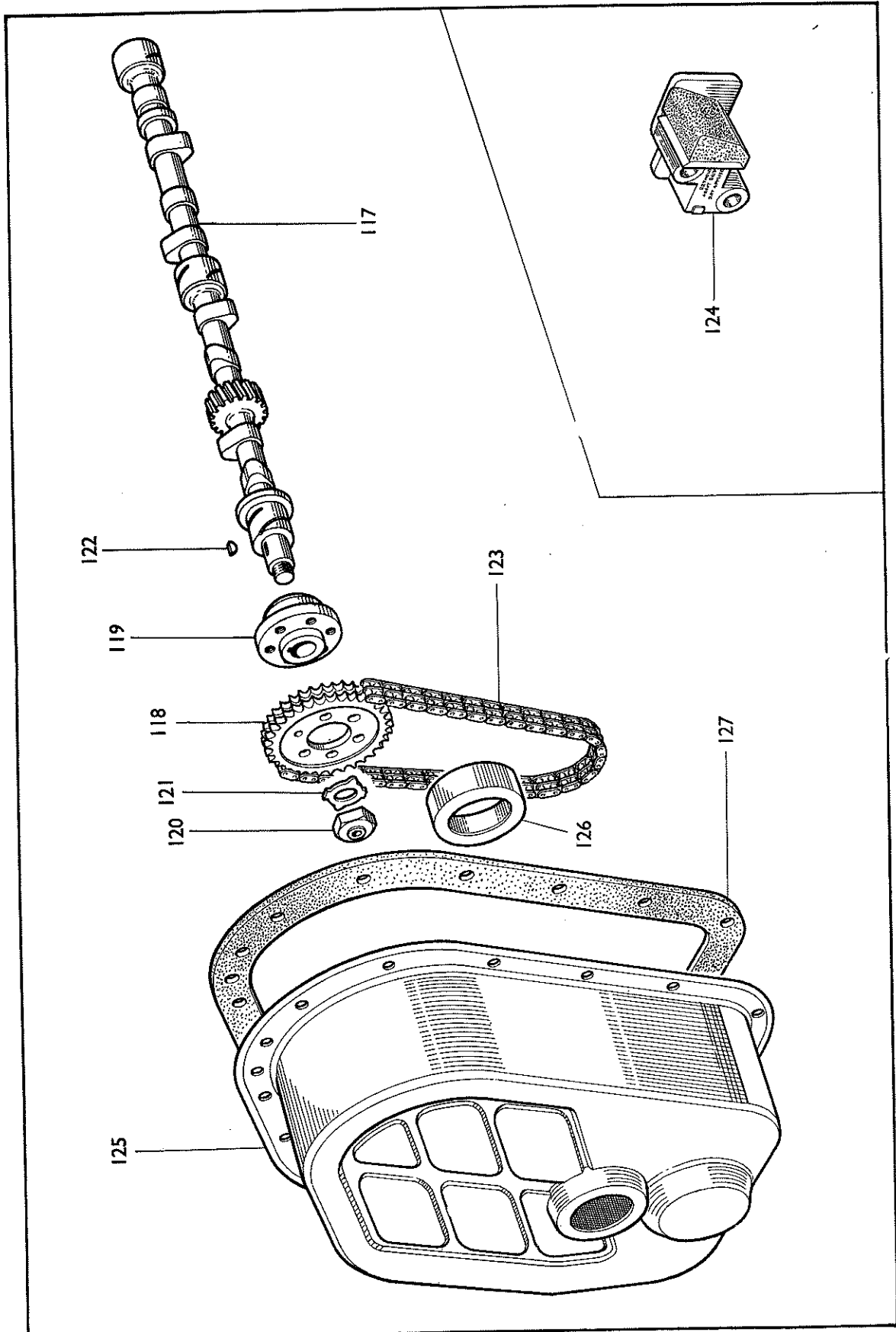


PLATE E - SECTION AD

ENGINE UNIT AND AUXILIARIES - LIGHT DIESEL - OE160

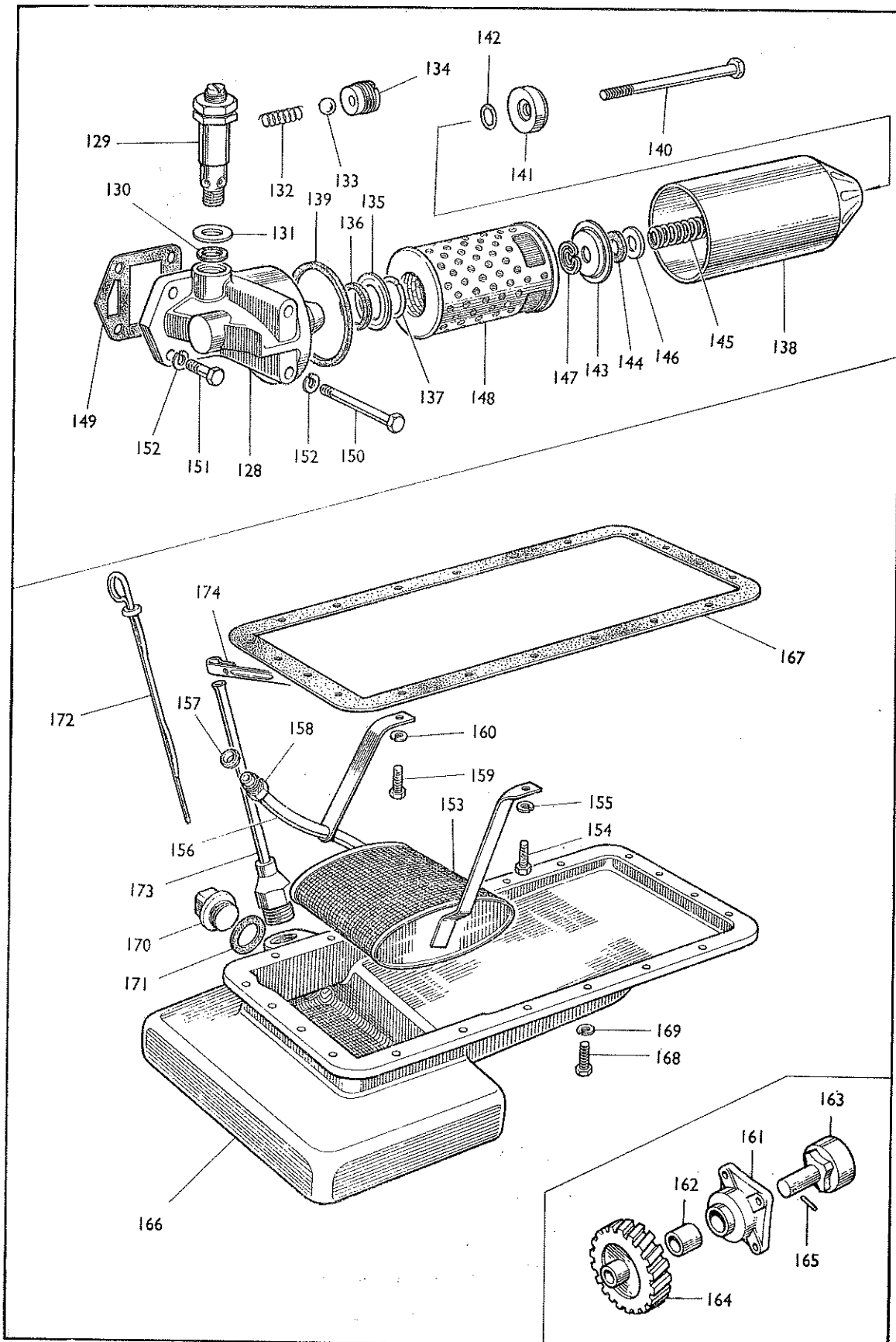


PLATE F - SECTION AD

ENGINE UNIT AND AUXILIARIES - LIGHT DIESEL - OE160

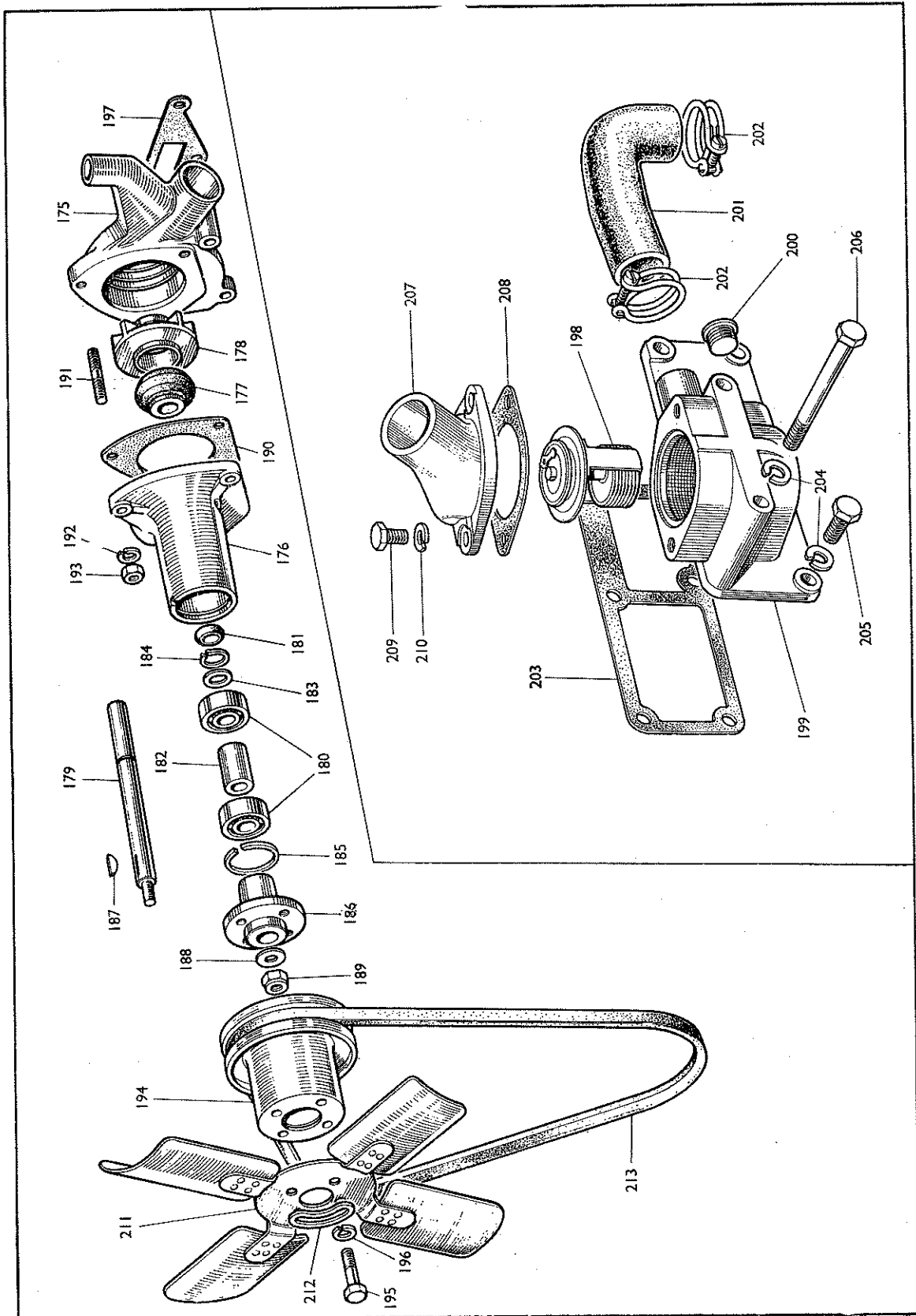


PLATE G - SECTION AD

ENGINE UNIT AND AUXILIARIES - LIGHT DIESEL - OE160

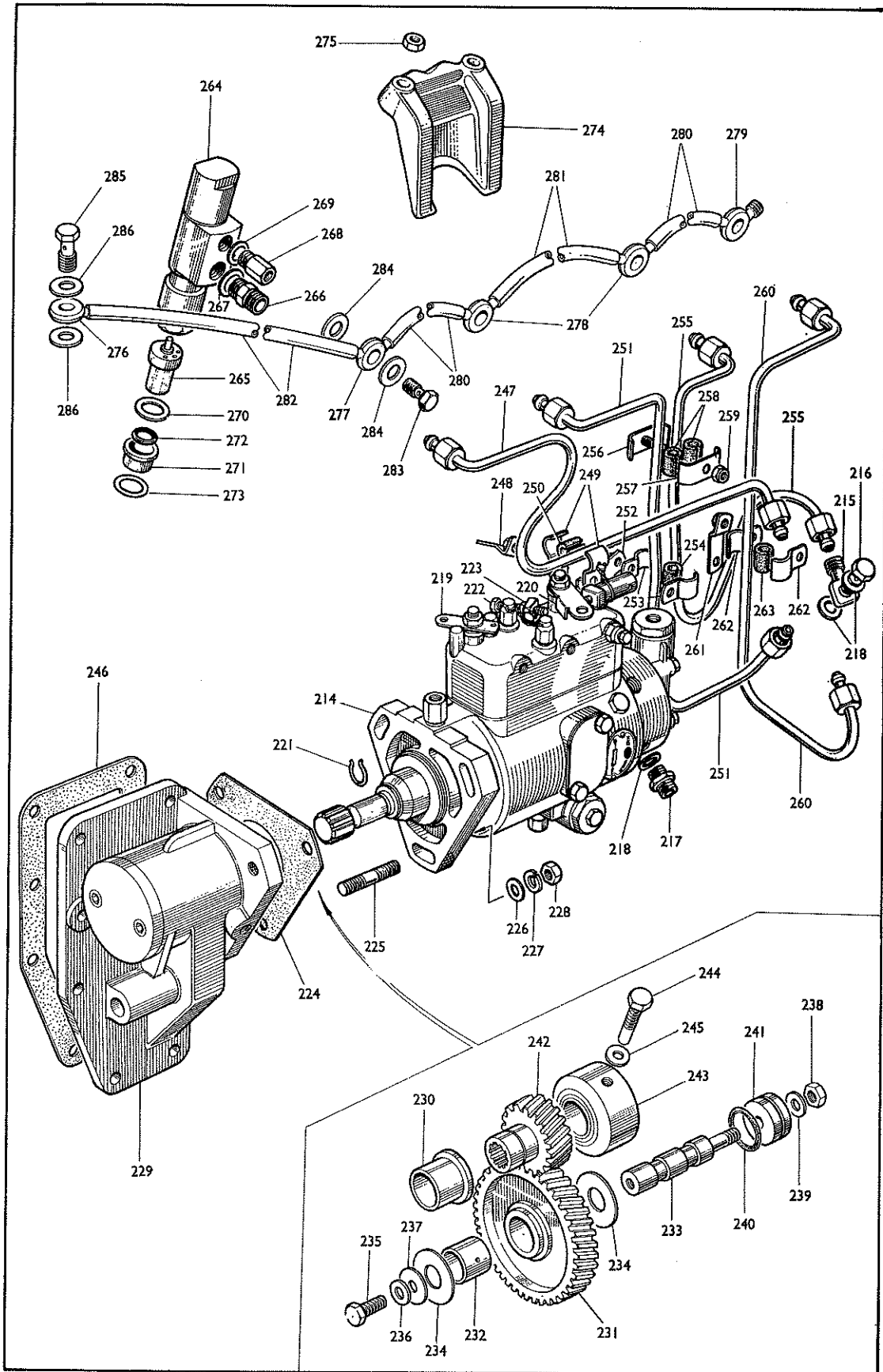
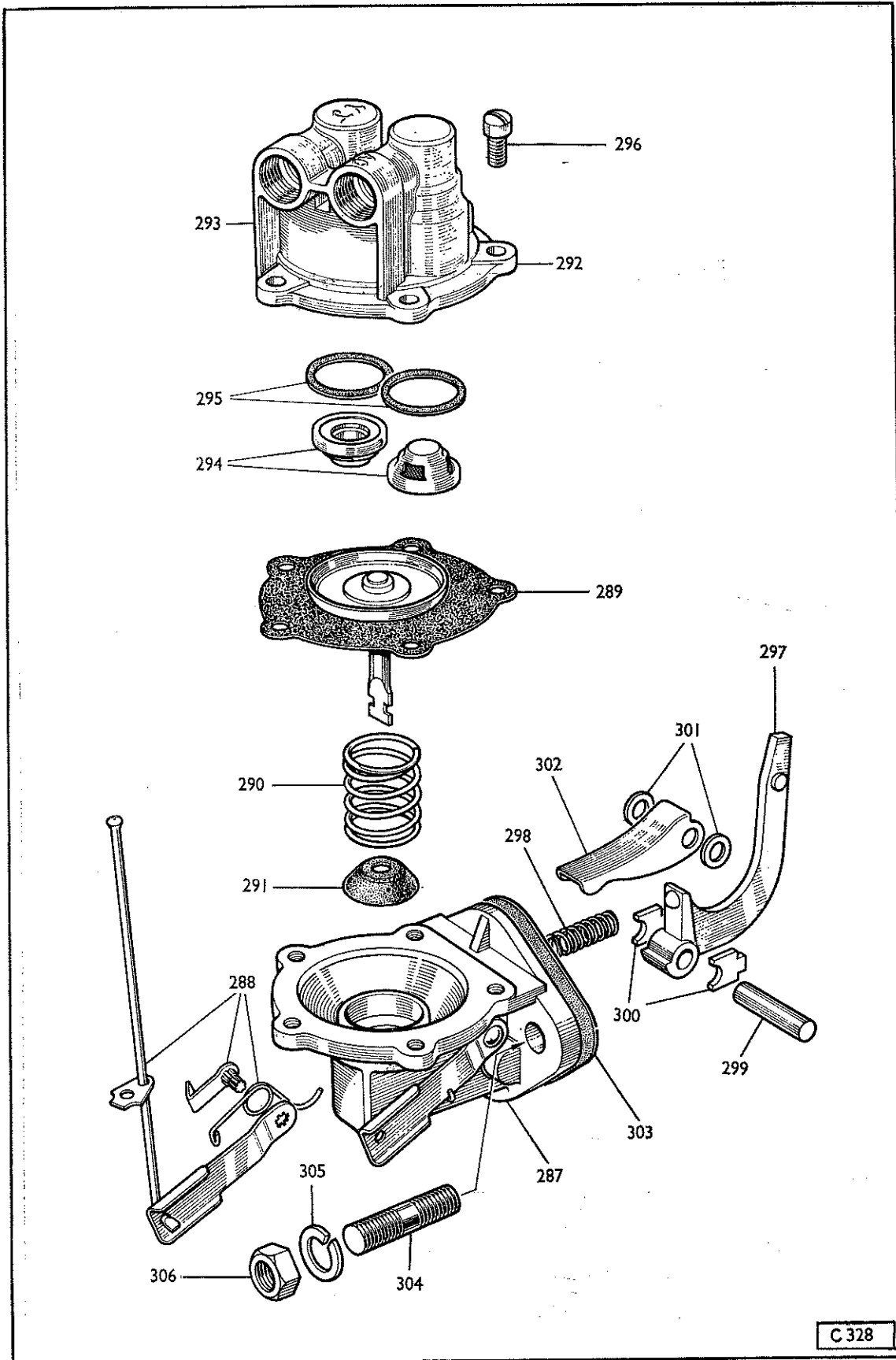


PLATE H - SECTION AD

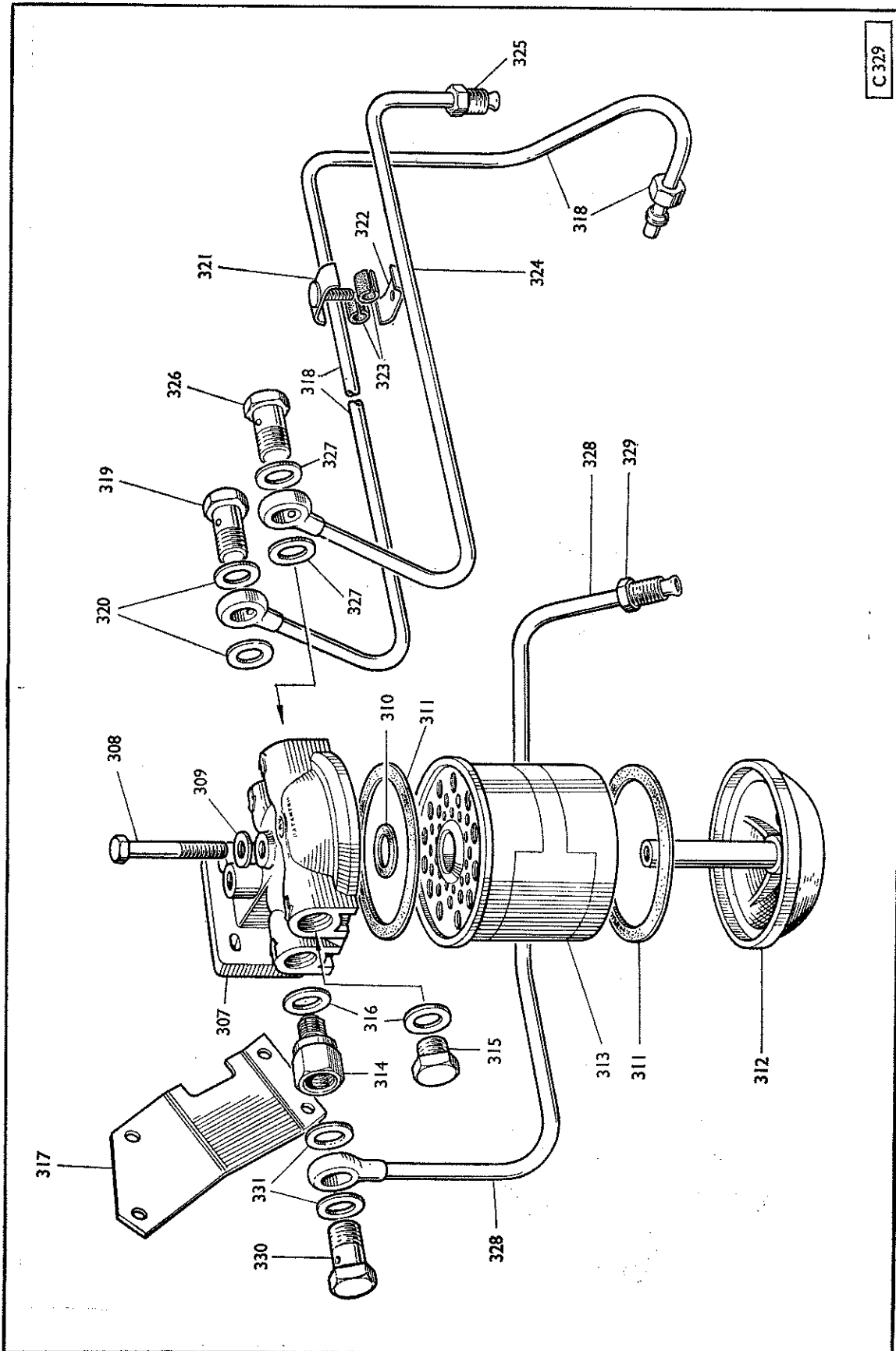
ENGINE UNIT AND AUXILIARIES - LIGHT DIESEL - OE160



C 328

PLATE J - SECTION AD

ENGINE UNIT AND AUXILIARIES - LIGHT DIESEL - OE160



C 329

PLATE K - SECTION AD

ENGINE UNIT AND AUXILIARIES - LIGHT DIESEL - OE160

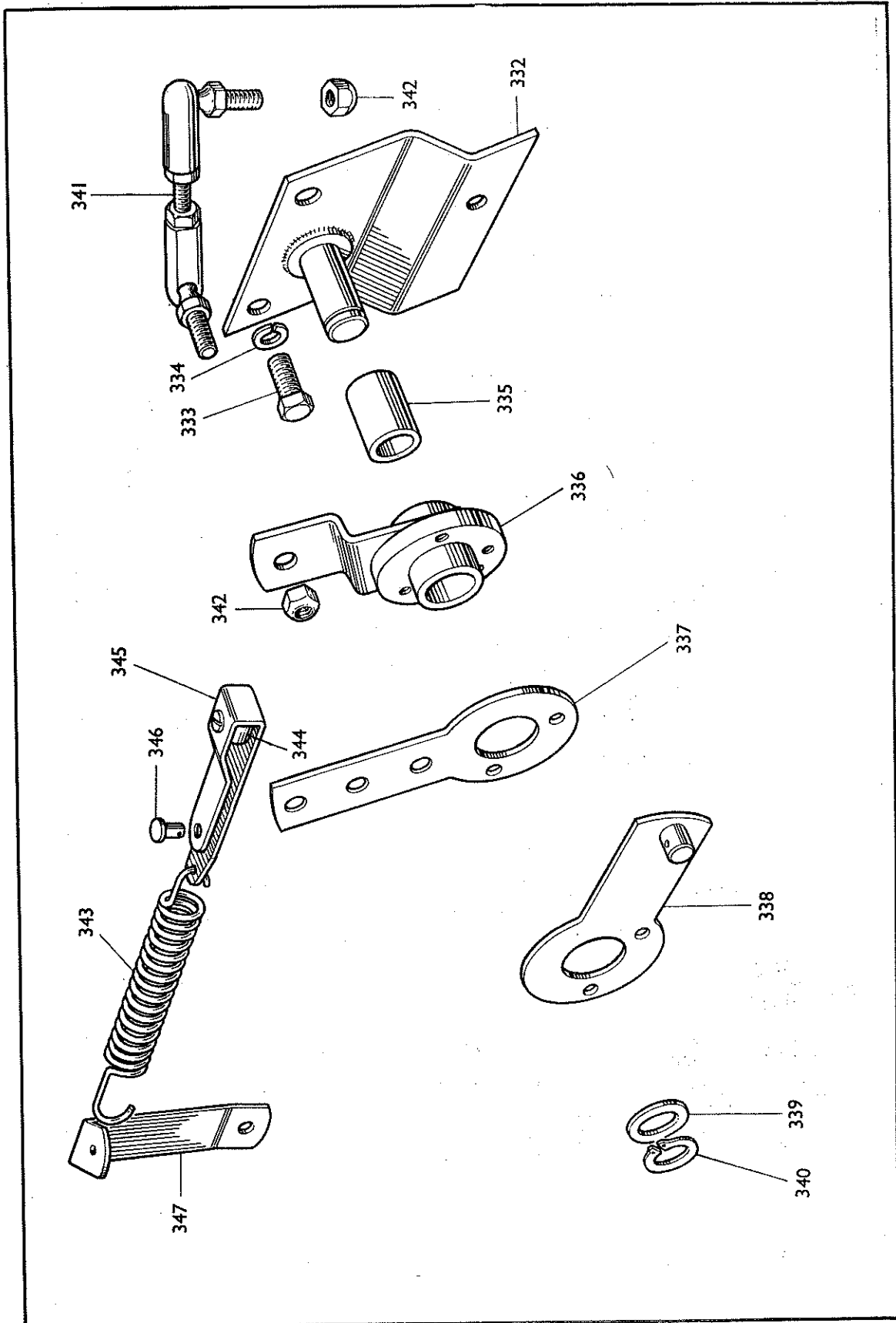


PLATE L - SECTION AD

ENGINE UNIT AND AUXILIARIES - LIGHT DIESEL - OE160

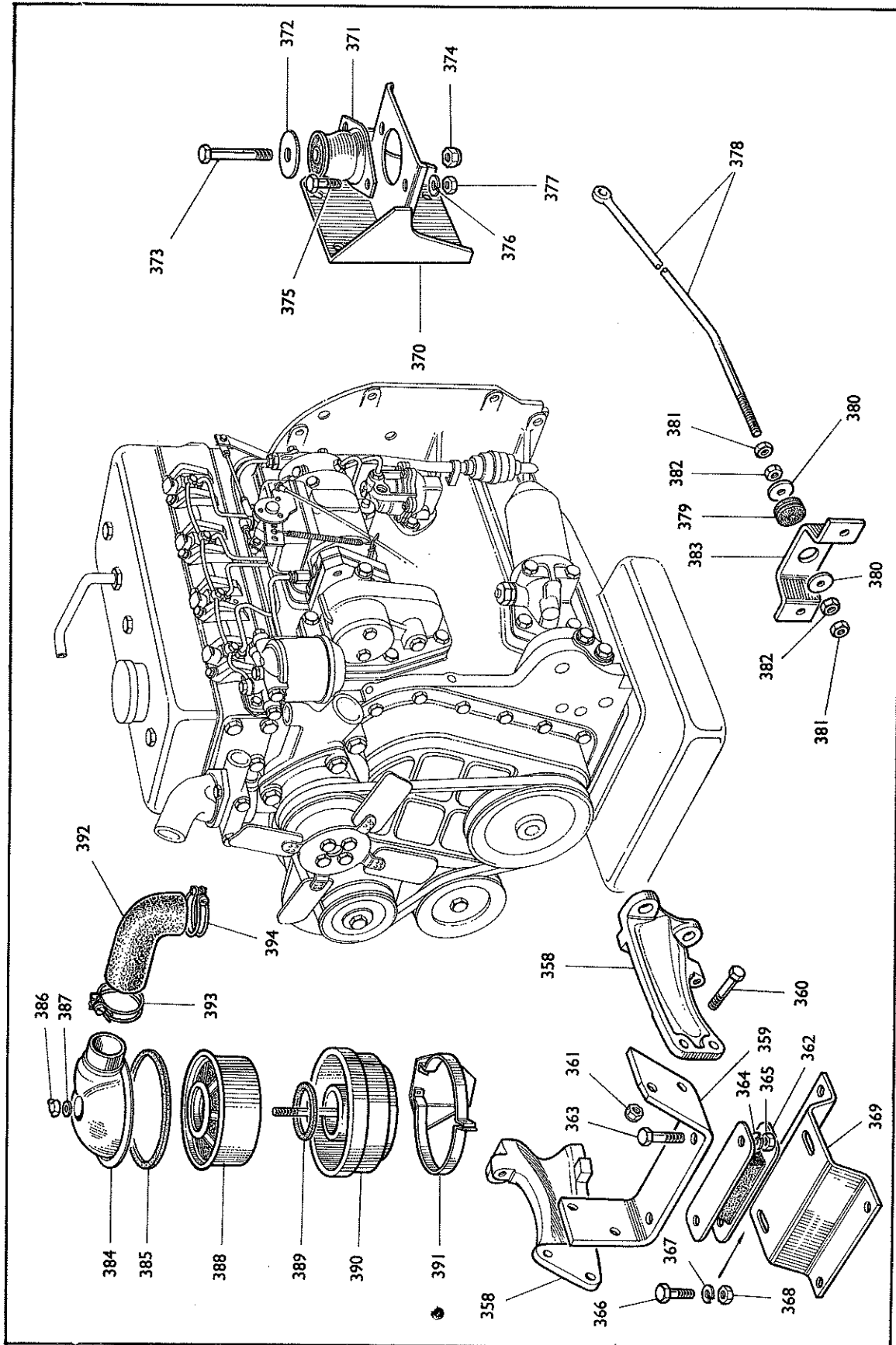


PLATE M - SECTION AD

ENGINE UNIT – LIGHT DIESEL – OE160

Plate Ref.	Part Number	DESCRIPTION	No. per Veh.	REMARKS
	J.516272	ENGINE UNIT – PLAIN BORE	1	Fitted from Engine No. UB41047AX Fitted from Engine No. UB42998MH
	J.516381	ENGINE UNIT – CHROME BORE	1	
		NOTE. Engine units are supplied less the following: Electrical equipment, Clutch, Air cleaner, Mounting brackets and Tie rod. Replacement engine units are available in part exchange for the original.		
A1	J.515349	BLOCK – CYLINDER – Complete with bearing caps ..	1	Plain bore Chrome bore
	J.308358	BLOCK – CYLINDER – Complete with bearing caps ..	1	
A2	5152546 s/d J.146679	Liner – Cylinder	4	Plain bore Chrome bore
	J.136828	Liner	4	
	9100015	Plug – Screwed – Oil drillings	3	No longer supplied
	J.116510	Plug – Taper	2	
A3	J.27378	Core plug – Welch	5	Check type when ordering.
	J.144648	Core plug – Cup	5	
	J.44473	Core plug – Camshaft – Rear end	1	
A4	J.136981	Bearing – Camshaft – Front	1	
A5	19605061 s/d 5220697	Setscrew – Front camshaft bearing to block ..	2	
	9661203	Washer	2	
	J.112402	Bearing – Camshaft – Centre	1	
	J.112403	Bearing – Camshaft – Rear	1	
	J.110462	Screw – Locating – Centre and rear camshaft bearing ..	2	
	9067023	Washer	2	
	5043590	Stud – Injection pump housing to cylinder block ..	1	
A7	9146140	Dowel – Cylinder block to clutch housing	2	No longer supplied
A8	5044369	Stud – Fuel pump mounting	2	
A9	9146121	Dowel – Injection pump housing	2	
A10	9146121	Dowel – Timing cover	2	
A11	9803012	Plug – Oil gallery	2	
A12	J.500463	Washer – Plug	2	
A13	J.101027	Plug – Oil suction feed	2	
A14	J.500504	Washer	2	
	J.116511	Plug – Tapered – Filter front face	1	
A15	J.137421	Housing – Bearing – Front	1	
	J.109448	Dowel	2	
A16	J.103490	Screw – Socket – Housing top to bottom	2	
A17	9660243	Washer	2	
A18	J.60381	Bush – Oil pump shaft	1	
	19605071	Setscrew – Front bearing housing to block	3	
	9661203	Washer	3	
	39915140	Screw	2	
	9660203	Washer	2	
A19	J.137422	Housing – Bearing – Centre	1	Up to Engine No. UB40340 From Engine No. UB40341
	J.143492	Housing	1	
	J.109448	Dowel	2	
A20	J.103490	Screw – Socket – Housing top to bottom	2	
A21	9660243	Washer	2	
	J.59314	Bolt – Special – Centre bearing housing to cylinder block ..	1	
	9660363	Washer	1	
A22	J.140301	Housing – Bearing – Rear	1	Up to Engine No. UB40340 From Engine No. UB40341
	J.142927	Housing	1	
	J.109448	Dowel	2	
A23	J.103490	Screw – Socket – Housing to bottom	2	
A24	9660243	Washer	2	
	J.60890	Plug – Rubber – Rear bearing housing	2	

ENGINE UNIT – LIGHT DIESEL – OE160

Plate Ref.	Part Number	DESCRIPTION	No. per Veh.	REMARKS
		ENGINE UNIT – continued		
A25	J.137214	COVER AND OIL SEAL – REAR	1	Service use
	J.137205	Oil seal – Rear bearing	1	
	J.120235	Ring – Packing	1	
	J.143467	Bolt – Special – Rear bearing housing and cover to block ..	8	
	9660203	Washer	8	
A26	J.209847	Cover – Tappet	1	
A27	J.138588	Gasket – Tappet cover to cylinder block	1	
	19605061 s/d 5220697	Setscrew	9	
	19605081	Setscrew	2	
	9088191	Washer – Spacing	2	
	9661203	Washer	11	
A28	J.207137	Pipe – Breather	1	
A29	J.138589	Gasket – Breather pipe to tappet cover	1	
	9661203	Washer	2	
	19505062	Setscrew	2	
A30	J.126816	Clip – Breather pipe to cylinder block	1	
	19504052	Setscrew	1	
	9661163	Washer	1	
	9510040	Nut	1	
A31	J.126834	Breather – Crankcase	1	
	9787183	Clip – Cleaner to pipe	1	
B32	J.132906	HEAD – CYLINDER	1	
	J.116516	Plug – Taper – Top face	1	} Early models
	J.56712	Plug – Disc type – Rear face	1	
	J.27378	Plug	1	
	J.144686	Plug – Core – Cup type	1	} Late models
	J.144648	Plug	1	
	9804230	Plug – Taper – Heater	1	
	9003041	Setscrew – Rocker oil feed	1	
	9077011	Washer	1	
	J.58923	Guide – Valve – Inlet	4	
	5200232	Guide – Valve – Exhaust	4	
	J.117154	Insert – Valve – Inlet	A/R	Service use
	J.109493	Tube – Water	2	
	J.210477	Chamber – Combustion – Glow plug	4	
	J.132954	Tube – Cooling	4	
	J.132955	Plug – Cooling tube	4	
B33	J.143745	Adaptor – Glow plug	4	
B34	J.131952	Plug – Glow	4	
B35	J.305921	GASKET – Cylinder head	1	
B36	J.114932	Bolt – Short – Cylinder head to cylinder block	8	
B37	J.114931	Bolt – Long	7	
B38	W.16076	Stud – Pillar	2	
B39	5200280	Stud	5	
	J.146165	Washer	22	
	9029177	Nut	5	
	J.101442	Stud – Exhaust manifold to cylinder head	7	
	J.59413	Stud – Inlet manifold to cylinder head	2	
B40	5200205	Stud – Short – Rocker pedestal	2	
B41	J.109509	Stud – Long – Rocker pedestal and rocker cover	2	
B42	5200206	Stud – Rocker cover	1	
B43	J.111689	Stud – Injector clamp	8	

ENGINE UNIT – LIGHT DIESEL – OE160

Plate Ref.	Part Number	DESCRIPTION	No. per Veh.	REMARKS
		ENGINE UNIT – continued		
B44	J.109477	VALVE – Inlet	4	
B45	J.137158	VALVE – Exhaust	4	
B46	J.138984	Spring – Valve – Inner	8	
B47	J.138985	Spring – Valve – Outer	8	
B48	J.121053	Collar – Valve – Inner	8	
B49	J.113707	Collar – Valve – Outer	8	
B50	J.106663	Collets – Valve	8 prs.	
B51	J.133152	Cap – Valve	8	
B52	J.114041	Tappet	8	
B53	J.109474	Rod – Push	8	
B54	J.112420	Pedestal – Rocker 1, 2 and 3	3	
B55	J.112421	Pedestal – Rocker 4	1	
B56	5200199	Screw – Locking – Number 4 pedestal	1	} Alternative
B57	9666163	Washer	1	
	J.129987	Washer	1	
	9510060 s/d 5221351	Nut – Rocker pedestal to cylinder head	4	
	9067036	Washer	4	
B58	J.202260	SHAFT – Rocker	1	
B59	J.133224	Distance piece – Centre spring	1	
B60	J.133223	Spring – Rocker – Centre	3	
B61	J.44630	Spring – Double coil – Outer	2	
B62	J.60733	Collar – End – Shaft	2	
B63	9842216	Pin – Collar	2	
B64	J.112550	Rocker – Nos. 1 and 3 cylinder inlet Nos. 2 and 4 cylinder exhaust	4	
B65	J.112549	Rocker – No. 2 and 4 cylinder inlet Nos. 1 and 3 cylinder exhaust	4	
	J.112551	Bush	8	
B66	J.109495	Screw – Adjusting – Rocker	8	
B67	J.57110	Locknut	8	
B68	J.213551	Cover – Rocker	1	
	J.131182	Cap – Filler	1	
	1240092	Cap	1	Dodge and Fargo models
B69	J.205016	Gasket – Rocker cover to cylinder head	1	
B70	9661203	Washer	3	
B71	9510050 s/d 5221350	Nut	3	
B72	J.145501	Pipe – Breather – Rocker cover	1	
B73	9156555	Nut – Pipe to rocker cover	1	
	J.136473	Distance piece – Rocker cover	1	
C74	J.306449	MANIFOLD – INDUCTION	1	
C75	J.60322	Stud – Front	1	
C76	J.113509 s/d 5200210	Stud – Rear	1	
	J.122044	Plug – Induction manifold	1	
	9077686	Washer	1	
		Stud – Induction manifold to cylinder head		See Cylinder head
	9661241 s/d 5221254	Washer	2	
	9029139	Nut	2	

ENGINE UNIT – LIGHT DIESEL – OE160

Plate Ref.	Part Number	DESCRIPTION	No. per Veh.	REMARKS
		ENGINE UNIT – continued		
C77	J.304195	MANIFOLD – EXHAUST	1	See cylinder head
	9661241 s/d 5221254	Stud – Exhaust manifold to cylinder head	7	
	9029139	Washer	7	
C78	5200203	Gasket – Induction and exhaust manifolds to cylinder head	2	
C79	5200200	Gasket – Centre	1	See exhaust
		Gasket – Exhaust pipe to manifold	1	
C80	J.203258	Adaptor – Induction manifold to air cleaner	1	
C81	J.109480	Gasket – Adaptor to induction manifold	1	
	9067418	Washer	1	
	9661241 s/d 5221254	Washer	2	
C82	9510060 s/d 5221351	Nut	2	
	J.146172	VENTURI	1	Not supplied
C83		Body	1	
C83/1	J.138231	Spindle	1	
C84	J.102998	Butterfly	1	
C85	J.61458	Setscrew – Butterfly to spindle	2	
C86	J.146173	Lever – Control	1	
C87	J.138232	Lever and boss	1	
C88	9842209	Pin – Lever to spindle	2	
C89	J.103074	Bolt – Idling lever adjustment	1	
C90	J.103049	Locknut	1	
C91	J.103048	Setscrew – Idling lever stop	1	
C92	9520050	Locknut	1	
C93	J.133983	Bolt – Banjo	1	
	9078020	Washer – Banjo bolt	1	
	9078031	Washer	1	
	J.109480	Gasket – Venturi to manifold	1	
	9661241 s/d 5221254	Washer	2	
	5058038	Nut	2	
D94	J.307323	CRANKSHAFT	1	
	J.118632	Plug – Taper	4	
D95	J.59230	Gear – Crankshaft	1	
D96	9213008	Key – Gear to crankshaft	1	
D97	J.117130	Pulley – Crankshaft	1	
D98	9213008	Key – Pulley to crankshaft	1	
	J.56522	Shim .004" (.1016 mm.) – Gear	A/R	
	J.56523	Shim .006" (.1524 mm.)	A/R	
D99	J.105921	Gear – Driven – Oil pump	1	
D100	9213002	Key – Oil pump driven gear to crankshaft	1	
	J.112472	Deflector – Oil	1	
	J.110883	Nut – Jaw – Cranking handle	1	
	J.56575	Washer – Tab – Jaw nut	1	
	J.27670	Shim	A/R	
D101	5152542	BEARING – MAIN – Standard	1 set	
	5152543	BEARING – MAIN .010" (.254 mm.) undersize	1 set	
	5152544	BEARING – MAIN .020" (.508 mm.) undersize	1 set	
	5152545	BEARING – MAIN .040" (1.016 mm.) undersize	1 set	
		NOTE. Bearing sets comprise of 6 halves.		

ENGINE UNIT – LIGHT DIESEL – OE160

Plate Ref.	Part Number	DESCRIPTION	No. per Veh.	REMARKS
		ENGINE UNIT – continued		
D102	5152540	WASHER – THRUST – Standard	1	} Comprises 1 upper and 1 lower
	5152541	WASHER – THRUST .005" (.1270 mm.) oversize	1	
D103	J.211726 s/d J.213918	ROD – CONNECTING	4	
D104	J.132841	Bush	4	
	J.106771	Dowel	4	
D105	J.138540	Bolt	8	
	J.213918	ROD – CONNECTING	4	
	J.146972	Bush	8	
	J.106771	Dowel	4	
	J.138540	Bolt	8	
D106	5152534	BEARING – Big end – Standard	1 set	
	5152535	BEARING – Big end .010" (.254 mm.) undersize	1 set	
	5152536	BEARING – Big end .020" (.508 mm.) undersize	1 set	
	5152537	BEARING – Big end .030" (.762 mm.) undersize	1 set	
	5152538	BEARING – Big end .040" (1.016 mm.) undersize	1 set	
		NOTE. Big end bearing set comprises 8 halves.		
D107	5152551	PISTON – Complete – Standard	4	Plain bore
D108	J.134866	Ring – Compression – Top groove – Chrome – Standard	4	
D109	J.134867	Ring – Compression – Second and third groove – Taper – Standard	8	
D110	J.140296	Ring – Scraper – Fourth and bottom grooves – Standard	8	
D111	J.133650	Pin – Gudgeon	4	
D112	J.501906	Circlip	8	
	J.146247	PISTON – Complete – Standard	4	Chrome bore
	J.133649	Ring – Compression – Top groove – Standard	4	
	J.134867	Ring – Compression – Second and third grooves – Taper – Standard	8	
	J.146022	Ring – Scraper – Fourth and bottom grooves – Standard	8	
	J.133650	Pin – Gudgeon	4	
	J.501906	Circlip	8	
D113	J.113369	FLYWHEEL – Complete with gear	1	
D114	J.203109	Gear	1	
	9146120	Dowel	2	
	9198005	Bearing – Stem wheel	1	
D115	J.138539	Bolt – Flywheel to crankshaft	6	
D116	J.139441	Disc – Retaining	1	
E117	J.306729	CAMSHAFT	1	
E118	J.61402	Gear – Camshaft	1	
E119	J.61403	Centre – Gear – Camshaft	1	
	9003045	Bolt – Centre to gear	6	
	9661203	Washer	6	
	9067237	Washer	6	
E120	J.59234	Locknut – Centre to camshaft	1	
E121	J.59236	Washer – Lock	1	
E122	9213008	Key	1	
E123	9226041	CHAIN – TIMING	1	
E124	K.28849 s/d P.111356	Tensioner – Chain	1	
	K.29023 s/d by K.30053	Kit – Chain tensioner	1	
		NOTE. The above kit includes: Bottom plug, Tab washer, Spring and cylinder.		

ENGINE UNIT – LIGHT DIESEL – OE160

Plate Ref.	Part Number	DESCRIPTION	No. per Veh.	REMARKS
		ENGINE UNIT – continued		
	19104114	Bolt – Tensioner to front bearing housing	2	
	9661163	Washer	2	
E125	J.302019	COVER – TIMING	1	
E126	K.28850	Oil seal – Timing cover	1	
	J.112473	Pedestal	1	
E127	J.211066	Gasket – Timing cover to cylinder block	1	
	19605051	Setscrew	17	
	9661203	Washer	17	
	J.205555	FILTER – OIL	1	
F128	5038841	Head casting	1	
F129	K.26286	Valve – Relief	1	
F130	9122117	Seal – Valve	1	
F131	9067311	Washer	1	
F132	5038843	Spring – Filter relief valve	1	
F133	9187009	Ball	1	
F134	5038844	Seat	1	
F135	5038842	Guide – Top – Element	1	
F136	9122218	Seal	1	
F137	9207045	Circlip	1	No longer supplied
F138	5038840	Bowl	1	
F139	9122175	Seal – Bowl to head casting	1	
F140	19406482	Bolt – Centre	1	
F141	5038845	Collar – Centre bolt	1	
F142	9107121	“O” ring – Centre bolt collar	1	
F143	K.26290	Guide – Element – Bottom	1	
F144	9122047	Seal	1	
F145	K.26293	Spring – Centre bolt	1	
F146	9067034	Washer – Centre bolt spring	1	
F147	9206040	Circlip – Bottom guide – Retaining	1	
F148	K.26290 s/d K.24477	Element	1	
F149	J.122608	Gasket – Oil filter to cylinder block	1	
F150	19405331	Bolt	2	
F151	19606101	Bolt	2	
F152	9661241 s/d 5221254	Washer	4	
F153	J.113285	FILTER – OIL – Suction	1	
F154	19605041	Setscrew – Filter to cylinder block	1	
F155	9661203	Washer	1	
F156	J.113287	Pipe – Complete with bracket – Filter to sump	1	
F157	9157118	Sleeve – Pipe to block	1	
F158	J.59093	Tube nut	1	
F159	19605041	Setscrew – Pipe bracket to block	1	
F160	9661203	Washer	1	
		PUMP – OIL		Not supplied
F161	J.133265	Body	1	
F162	J.60381	Bush	1	
F163	J.511111	Shaft and rotor	1	Service use
F164	J.105920	Gear – Driving	1	
F165	9841414	Pin – Gear to shaft	1	
	5040844	Bolt – Oil pump to front bearing housing	1	
	5040845	Bolt	1	
	5040843	Bolt	1	

ENGINE UNIT – LIGHT DIESEL – OE160

Plate Ref.	Part Number	DESCRIPTION	No. per Veh.	REMARKS
		ENGINE UNIT – continued		
F166	J.304197	SUMP – OIL	1	
F167	J.211069	Gasket – Sump to cylinder block	1	
F168	19605071	Setscrew	20	
F169	9661203	Washer	20	
F170	J.58294	Plug – Sump drain	1	
F171	9078096	Washer – Plug	1	
F172	J.125492	Dipstick	1	
	J.32307	Washer	1	
F173	J.125493	Tube – Dipstick	1	
	9078096	Washer – Dipstick	1	
F174	J.143749	Bracket – Support – Dipstick tube	1	
	19503031	Bolt – Support bracket to dipstick tube	1	
	9661123	Washer	1	
	9510030 s/d 5220700	Nut	1	
	J.511927	PUMP – WATER	1	No longer supplied – See Data 2A/367
G175	J.210459	Body – Pump	1	
	J.132847 s/d 75060358	Housing – Bearing – Assembly	1	
	75060358	Housing	1	See Data 2A/367
G176	J.200287	Housing – Bearing	1	
G177	J.105981	Impellor	1	
G178	J.132846	Spindle	1	
G179	K.28848	Seal	1	
G180	9198002	Bearing	2	
G181	K.28847	Seal – Bearing	1	
G182	J.100760	Distance piece	1	
G183	J.101092	Washer – Abutment	1	
G184	9616074	Circlip	1	
G185	J.100763	Snap ring	1	
G186	9067411	Washer – Hub to spindle	1	
G187	P.43793	Nut	1	
G188	J.132845	Hub – Fan pulley	1	
G189	9213004	Key – Hub to spindle	1	
G190	J.138587	Gasket – Bearing housing to pump body	1	
G191	J.56243	Stud	2	
G192	9661241 s/d 5221254	Washer	2	
G193	9510060 s/d 5221351	Nut	2	
		NOTE. A replacement Housing assembly is available in part exchange for the original.		
	9217027	Nipple – Water pump lubrication	1	
	9151601	Adaptor	1	
	P.94732	Bracket	1	
	9029014	Locknut	1	
	9067034	Washer	1	
	W.15858	Pipe assembly	1	
	9156054	Nut	2	
	9157104	Olive	2	
	9154051	Elbow	1	
	9152101	Union – Double ended	1	
	19505091	Setscrew – Bracket retaining	1	
	9067025	Washer	1	
G194	J.116431	Pulley – Fan	1	

ENGINE UNIT – LIGHT DIESEL – OE160

Plate Ref.	Part Number	DESCRIPTION	No. per Veh.	REMARKS
		ENGINE UNIT – continued		
G195	19505082	Setscrew – Fan and pulley to hub	4	
G196	9661203	Washer	4	
G197	J.138586	Gasket – Water pump to cylinder block	1	
	19406181	Bolt	2	
	9661241 s/d 5221254	Washer	2	
G198	J.140970	Thermostat	1	
G199	J.202263	Housing – Thermostat – Vertical inlet	1	
G200	J.119888	Plug – Housing	1	
G201	J.137197	Connection – By-pass	1	
G202	9787183	Clip – Connection	2	
G203	J.139345	Gasket – Thermostat housing to cylinder head	1	
G204	9661203	Washer	6	
G205	19605081	Setscrew	4	
G206	19405271	Bolt	2	
G207	J.110527	Pipe – Water outlet	1	
G208	J.57103	Gasket – Thermostat housing to water outlet pipe	1	
G209	19605071 s/d 5220692	Setscrew	2	
G210	9661203	Washer	2	
G211	J.203373	Fan	1	
G212	J.100242	Balance piece	A/R	
G213	J.212492	BELT – Fan	1	
H214	J.306227 s/d 75061088	PUMP – FUEL INJECTION – MECHANICAL GOVERNOR	1	
	5041219	Spring – Piston retaining – Fuel inlet	1	
	5041220 s/d 5060128	Piston – Fuel inlet	1	
	5042597	Sleeve	1	
	5041319	Washer – Sleeve	1	
	5039046	Filter	1	
	5041222	Plug – Regulating	1	
	5042159	Spring	1	
	5041224	Spring – Sleeve retaining	1	
	9151503	Connection	1	No longer supplied
	9077044	Washer	1	
	5041320	Seal – Transfer pump – Rotor body	1	
	5041321	Seal – Distributor head	1	
H215	K.28844	Banjo	1	
H216	9159502	Bolt – Banjo	1	
H217	9151007	Connection	3	No longer supplied
H218	5041324	Washer – Connection	5	
	5042166	Screw – Head vent – Assembly	1	
	5042165	Screw – Vent	1	
	9077014	Washer – Vent screw	1	
	5058140	Screw – Plugging	1	
	5058141	Washer	1	
	5041325	Screw – Head locking	1	
	9077014	Washer	1	
	5041225	Gasket – Manual control case to housing	1	
	5041226	Bar – Shut-off control – Manual control	1	
	5041227	Shaft	1	
H219	5041327	Seal	2	
	5041228	Lever	1	
	5041229	Shaft – Throttle control	1	
	5041327	Seal	2	

ENGINE UNIT – LIGHT DIESEL – OE160

Plate Ref.	Part Number	DESCRIPTION	No. per Veh.	REMARKS
		ENGINE UNIT – continued		
		PUMP – FUEL INJECTION – continued		
H220	5044911	Arm	1	
	5041252	Cap – Dust	2	
	5042303	Washer – Dust cap	2	
	5041331	Nut	2	
	5058144	Spring – Governor	1	
	5058145	Spring – Idling	1	
	5041232	Guide – Idling spring	1	
	5041379	Spring – Governor arm	1	
	5058143	Spring – Linkage	1	
	5041376	Valve – Metering	1	
	5041377	Valve – Metering – Oversize	1	Service use
	5041330	Screw – Adjusting	2	
	5058146	Washer	2	
	5041331	Nut	3	
	5038359	Gasket – Cover plate	1	
	5041375	Screw	2	
	5042303	Washer	2	
	5058147	Screw – Vent – Assembly	1	
	5042165	Screw – Vent	1	
	9077081	Washer – Vent screw	1	
	5038986	Gasket – Housing – Automatic advance	1	
	5041235	Cap nut – Automatic advance	1	
	5041332	Washer – Cap nut	1	
	5058148	Spring – Outer – Piston	1	
	5058149	Plug – Piston	1	
	5041333	Seal – Plug	1	
	5058150	Cap – Piston spring	1	
	9003024	Screw – Cap	1	
	5041335	Washer	1	
	5041241	Shim 0.2 mm.	A/R	
	5041242	Shim 0.5 mm.	A/R	
	5041243	Shim 1.0 mm.	A/R	
	5041244	Shim 2.0 mm.	A/R	
	5041333	Seal – Cap	1	
	5041336	Seal – Stud – Head locating	2	
	5041341	Ball	1	
	5041337	Washer	1	
	5041237	Spring – Inner – Piston	1	
	5058142	Seal – Drive shaft	1	
	5041326	Seal – Hub drive	1	
	1122893	Sleeve – Locking	1	
H221	J.112625	Retainer – Quill shaft	1	
H222	J.115981	Screw – Throttle arm adjustment	1	
H223	J.115982	Locknut	1	
H224	J.138585	Gasket – Fuel injection pump to drive pump casing	1	
H225	J.109459	Stud	3	
H226	9067237	Washer	3	
H227	9661203	Washer	3	
H228	9510050 s/d 5221350	Nut	3	

ENGINE UNIT – LIGHT DIESEL – OE160

Plate Ref.	Part Number	DESCRIPTION	No. per Veh.	REMARKS
		ENGINE UNIT – continued		
	J.203136	DRIVE – FUEL INJECTION PUMP	1	
H229	J.116167	Casing – Pump drive	1	
H230	J.112622	Bush – Drive gear	1	
H231	J.112624	Gear – Idler	1	
H232	J.112620	Bush – Idler gear	1	
H233	J.112592	Spindle – Idler gear	1	
H234	J.112621	Washer – Thrust	2	
H235	19505051 s/d 5220684	Screw – Idler gear spindle to front drive housing	1	
H236	9067027	Washer	1	
H237	J.503178	Washer	1	
H238	P.43793	Nut – Idler gear spindle to rear drive housing	1	
H239	J.500171	Washer	1	
H240	9107054	“O” ring	1	
H241	J.112631	Retainer – “O” ring	1	
	9067237	Washer	1	
H242	J.112623	Gear – Pump drive	1	
H243	J.112593	Adaptor – Pump drive	1	
H244	J.112619	Screw – Peg – Adaptor retaining	1	
H245	9077015	Washer	2	
	J.112455	Plate – Blanking – Tachometer drive	1	
	J.112456	Gasket – Blanking plate to pump drive casing	1	
	19504052	Setscrew	2	
	9661163	Washer	2	
H246	J.138584	Gasket – Pump drive casing to cylinder block	1	
	J.119569	Shim .006” (.1524 mm.)	A/R	
	J.119570	Shim .010” (.254 mm.)	A/R	
	19605081	Setscrew	4	
	19605091	Setscrew	1	
	9661203	Stud	1	See cylinder block
	9510050 s/d 5221350	Washer	6	
		Nut	1	
H247	J.209808	PIPE – FUEL INJECTION – No. 1 CYLINDER	1	
H248	J.114656	Bracket – No. 1 injection pipe	1	
H249	J.114179	Clip	2	
H250	J.114178	Grommet	1	
	19503041	Setscrew	1	
	9661123	Washer	1	
H251	J.208688	PIPE – FUEL INJECTION – No. 2 CYLINDER	1	
H252	J.114657	Bracket – Tappet cover – No. 2 injection pipe	1	
H253	J.114179	Clip	2	
H254	J.114178	Grommet	1	
	19503041	Setscrew	1	
	9661123	Washer	1	
H255	J.209967	PIPE – FUEL INJECTION – No. 3 CYLINDER	1	
H256	J.123618	Clamp – No. 2 and 3 injection pipes	1	
H257	J.114180	Clip	1	
H258	J.114178	Grommet	2	
H259	9571053	Nut	1	
H260	J.209809	PIPE – FUEL INJECTION – No. 4 CYLINDER	1	
H261	J.114677	Bracket – No. 4 injection pipe	1	
H262	J.114179	Clip	2	
H263	J.114178	Grommet	1	
	19503041	Setscrew	1	
	9661123	Washer	1	

ENGINE UNIT – LIGHT DIESEL – OE160

Plate Ref.	Part Number	DESCRIPTION	No. per Veh.	REMARKS
		ENGINE UNIT – continued		
H264	J.142739 s/d 75061535	INJECTOR ASSEMBLY	4	
H265	5043750	Nozzle	4	
	J.141248	Nozzle holder	4	Not supplied
		Body		
H266	J.141320	Adaptor – Inlet	4	
H267	J.141323	Washer	4	
H268	J.142798	Adaptor – Leak-off	4	
H269	J.141324	Washer	4	
H270	9076056	Washer – Injector	4	
H271	J.122116	Shield – Heat – Injector	4	
H272	J.120962	Washer – Corrugated – Sealing	4	
H273	J.120963	Shim	4	
H274	J.109468	Clamp – Injector to cylinder head	4	
H275	J.109469	Nut – Injector to cylinder head	8	
		Stud		See cylinder head
	J.142817	PIPE – LEAK-OFF (Nylon)	1	
H276		Banjo – Fuel filter		} Not supplied – Use Assembly J.142817
H277		Banjo – No. 1 injector		
H278		Banjo – Nos. 2 and 3 injectors		
H279		Banjo – No. 4 injector		
H280		Tube – Nylon – Nos. 1, 2, 3 and 4 injectors		
H281		Tube – Nylon – Nos. 2 to 3 injectors		
H282		Tube – Nylon – Filter to No. 1 injector		
H283	J.142839	Bolt – Banjo – Leak-off pipe	4	
H284	J.142838	Washer	8	
H285	P.45751	Bolt – Banjo – Fuel filter	1	
H286	9077018	Washer	2	See Fuel system section
		PIPE – LEAK-OFF – No. 4 INJECTOR TO FUEL TANK		
		PUMP – FUEL		
J287	5044558	Body and priming lever assembly	1	
	5044556	Spring – Priming lever	1	
	K.19789	Set – Priming lever	1	
J288	5037727	Diaphragm	1	
J289	5043669	Spring – Diaphragm	1	
J290	K.26303	Oil seal	1	
J291	5037767	Cover assembly – Complete with valves	1	
J292	5043666	Cover	1	
J293	5043667	Valve	2	
J294	5043668	Gasket – Valve seating	2	
J295	5041522 s/d K.29656	Screw – Cover retaining	5	
J296	5220204 s/d 5058613	Arm – Rocker	1	
J297	5037681	Spring – Rocker arm	1	
J298	5044557	Pin	1	
J299	5031039	Retainer – Pin – Rocker arm	2	
J300	5031044	Washer	2	
J301	9067213	Link	1	
J302	K.26308			
		NOTE. A replacement Fuel pump is available in part exchange for the original.		
J303	J.143475	Gasket – Fuel pump to cylinder block	1	See cylinder block
J304		Stud		
J305	9661203	Washer	2	
J306	J.104359	Nut	2	

ENGINE UNIT – LIGHT DIESEL – OE160

Plate Ref.	Part Number	DESCRIPTION	No. per Veh.	REMARKS
		ENGINE UNIT – continued		
	J.212983	FILTER – FUEL	1	
K307	5058420 s/d 75061512	Head – Filter	1	
K308	5038882	Bolt – Centre	1	
K309	9077634	Washer – Centre bolt	1	
K310	9107030	Seal – Element	1	
K311	9122230	Seal – Head and base	2	
K312	5039024	Base assembly – Complete with studs	1	
K313	5038883	Element	1	
K314	5039064	Valve – Non-return	1	
	J.509122 s/d 5038936	Valve	1	
K315	J.129077	Plug	1	
K316	9077097	Washer – Non-return valve and plug	2	
	9077108	Washer	1	
	P.45751	Bolt – Banjo	1	
	9077018	Washer	1	
K317	3050891	Bracket – Fuel filter support	1	
	19506111	Setscrew – Filter to support bracket	1	
	19506101	Setscrew	1	
	9660243	Washer	2	
	9510060 s/d 5221351	Nut	2	
	19606061 s/d 5220697	Setscrew – Support bracket to cylinder block	2	
	9660243	Washer	2	
	3018774	Bracket – Tie – Fuel filter support	1	
K318	3054386	Pipe – Fuel – Pump to filter	1	
	9156065	Nut	1	
	9157108	Olive	1	
	9151215	Banjo connection – Fuel filter end	1	
	W.14715	Union – Fuel pump end	1	
K319	W.13172	Bolt – Banjo – Filter end	1	
K320	W.13173	Washer	2	
K321	J.123618	Clamp assembly – Fuel pipe securing	1	
K322	J.114180	Clamp	1	
K323	J.114178	Grommet	2	
	P.43794	Nut	1	
K324	J.209989	Pipe – Fuel – Filter to injection pump	1	
K325	P.45749	Union – Pump end	1	
K326	W.13172	Bolt – Banjo – Fuel pipe to filter	1	
K327	W.13173	Washer	2	
K328	J.212086	Pipe – Fuel – Injection pump to filter – Return	1	
K329	P.45749	Union – Pump end	1	
K330	W.13172	Bolt – Banjo – Fuel pipe to filter	1	
K331	W.13173	Washer	2	

ENGINE UNIT – LIGHT DIESEL – OE160

Plate Ref.	Part Number	DESCRIPTION	No. per Veh.	REMARKS
		ENGINE UNIT – continued		
		THROTTLE STOP CONTROLS		
L332	J.144912	Bracket – Support	1	
L333	19504041 s/d 5221352	Setscrew – Support bracket to injection pump cover	2	
	5058286	Washer	2	
L334	9661123	Washer	2	
L335	J.144906	Bearing	1	
L336	J.144992	Lever – Assembly – Throttle control	1	
L337	J.144902	Lever	1	
L338	J.146876	Lever – Hand throttle	1	
	19504041 s/d 5221352	Setscrew – Throttle control lever to bracket	2	
	9661163	Washer	2	
L339	5044767	Washer – Lever to support bracket shaft	1	
L340	9205004 s/d 5220719	Circlip	1	
L341	J.144904	Rod – Link – Throttle control to injection pump lever	1	
L342	9571043	Nut – Ball joint – Link rod	2	
L343	J.60274	Spring – Return	1	
L344	J.115774	Nipple – Cable – Fuel injection pump	1	
	39812061	Setscrew	1	
L345	J.115788	Fork end	1	
L346	9144001	Jaw pin	1	
	9067010 s/d 9096073	Washer	1	
L347	J.113459	Bracket – Anchor – Return spring – Pump casing	1	
	J.113452	Bracket – Abutment – Stop cable to tappet cover	1	
	J.48008	Clip – Abutment bracket	1	
	39203100	Screw	1	
	9661123	Washer	1	
		ALTERNATOR		} See Electrical section
		Ventilator – Alternator		
A348	J.117140	Pulley	1	
A349	J.144377	Bracket – Mounting – Alternator	1	
A350	J.142952	Spacer – Alternator	1	
A351	5044782	Bolt – Alternator to bracket	1	
A352	9661203	Washer	1	
A353	9510051 s/d 5221350	Nut	1	
A354	19605061 s/d 5220697	Setscrew – Bracket to cylinder block	4	
A355	9067237	Washer	4	
A356	9661203	Washer	4	
A357	J.142961	Link – Adjusting	1	
	19406221	Bolt – Adjusting link	1	
	J.137200	Tabwasher	1	
	19605091	Bolt – Link to alternator	1	
	5058284	Washer	1	
	5058285	Washer	1	
	5058283	Nut	1	

ENGINE AUXILIARIES – LIGHT DIESEL – OE160

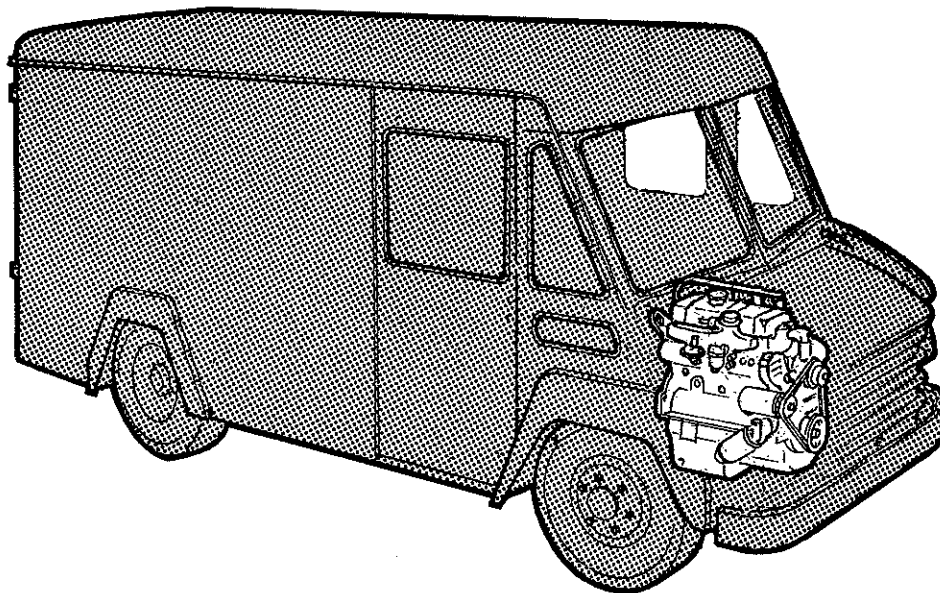
Plate Ref.	Part Number	DESCRIPTION	No. per Veh.	REMARKS
	5200498	GASKETS – TOP OVERHAUL SET NOTE. The above gasket sets include – Tappet cover, Cylinder head, Rocker cover, Manifolds, Water pump to block, Thermostat housing, Injection pump to casing, Injector washers 4 off.	1	
	19107202	STARTER		See electrical section
	9660283	Bolt – Starter to clutch housing	3	
	9510070 s/d 5220704	Washer Nut	3 3	
M358	W.48016	SUPPORT – ENGINE – FRONT	2	
M359	3049459	Bracket – Engine mounting – Front	1	
	19110222	Bolt – Front support to cylinder block	3	
	19110182	Bolt	1	
	9551104	Nut	4	
M360	19107133	Bolt – Front support to bracket	4	
M361	9572074	Nut	4	
M362	3017662	Mounting – Rubber – Engine support front	1	
M363	19506092 s/d 5220687	Setscrew – Rubber to mounting bracket	2	
M364	9660243	Washer	2	
M365	9510061 s/d 5221351	Nut	2	
M366	19506062	Setscrew – Rubber to plate	2	
M367	9660243	Washer	2	
M368	9510061 s/d 5221351	Nut	2	
M369	3049456	Plate – Mounting – Engine support – Front	1	
	19506061 s/d 5220686	Setscrew – Mounting plate to frame	4	
	9660243	Washer	4	
	9510060 s/d 5221351	Nut	4	
M370	3049467	BRACKET – MOUNTING – REAR	2	
	19607092	Setscrew – Bracket to clutch housing	8	
	9660283	Washer	8	
M371	W.14798	Mounting – Rubber – Engine support – Rear	2	
M372	W.12873	Washer – Rebound	2	
M373	19110262	Bolt – Mounting rubber	2	
M374	9571103	Nut	2	
M375	19505062	Setscrew – Mounting rubber to mounting bracket	4	
M376	9660243	Washer	4	
M377	9510061 s/d 5221351	Nut	4	
M378	3020559	ROD – TIE	1	Comprises 2 halves
M379	P.56418	Grommet – Tie rod to support bracket	1	
M380	9067031	Washer	2	
M381	9520050	Nut – Lock	2	
M382	9510051 s/d 5221350	Nut	2	
M383	3018320	Bracket – Support – Tie rod	1	
	19506071	Setscrew – Support bracket to crossmember	2	
	9660243	Washer	2	
	9510060 s/d 5221351	Nut	2	
	19406122	Bolt – Tie rod to clutch housing	1	
	9067039	Washer	2	
	9664243	Washer	1	

ENGINE AUXILIARIES – LIGHT DIESEL – OE160

Plate Ref.	Part Number	DESCRIPTION	No. per Veh.	REMARKS
	W.15842	TAP – DRAIN	1	
	W.13173	Washer	1	
	3018202	Bracket – Support – Drain tap control	1	
	W.15850	Rod – Control	1	
	9843114	Roll pin	1	
	P.22752	Spring	1	
	9067023	Washer	1	
	3049490	SILENCER AND CLEANER – AIR	1	
M384	5039244	Cover assembly	1	
M385	K.13639	Gasket – Cover	1	
M386	9023007	Wing nut	1	
M387	9078077	Washer	1	
M388	K.18344	Element – Filter	1	
M389	K.16818	Gasket – Element seating	1	
M390	5039245	Container – Oil	1	
M391	3049487	Bracket – Air cleaner mounting	1	
	19505082	Setscrew – Clamping bracket	1	
	9660203	Washer	1	
	9510051	Nut	1	
	19504052	Setscrew – Mounting bracket to dash	1	
	9660163	Washer	1	
M392	3059594	Hose – Air cleaner to adaptor	1	
	3058443	Hose – Air cleaner to venturi	1	When servo fitted
M393	9782461	Clip – Hose to air cleaner	1	
M394	9782401	Clip – Hose to adaptor or venturi	1	
	9784131	Clip – Breather pipe to hose	1	No longer supplied
		SWITCH – OIL PRESSURE		} See Electrical Section
		Adaptor – Oil pressure switch		
		Washer – Adaptor		
		HOUSING – FLYWHEEL AND CLUTCH		See clutch and controls

SECTION AE

ENGINE UNIT AND AUXILIARIES DIESEL—PERKINS 4.203



ENGINE UNIT AND AUXILIARIES - DIESEL - PERKINS 4-203

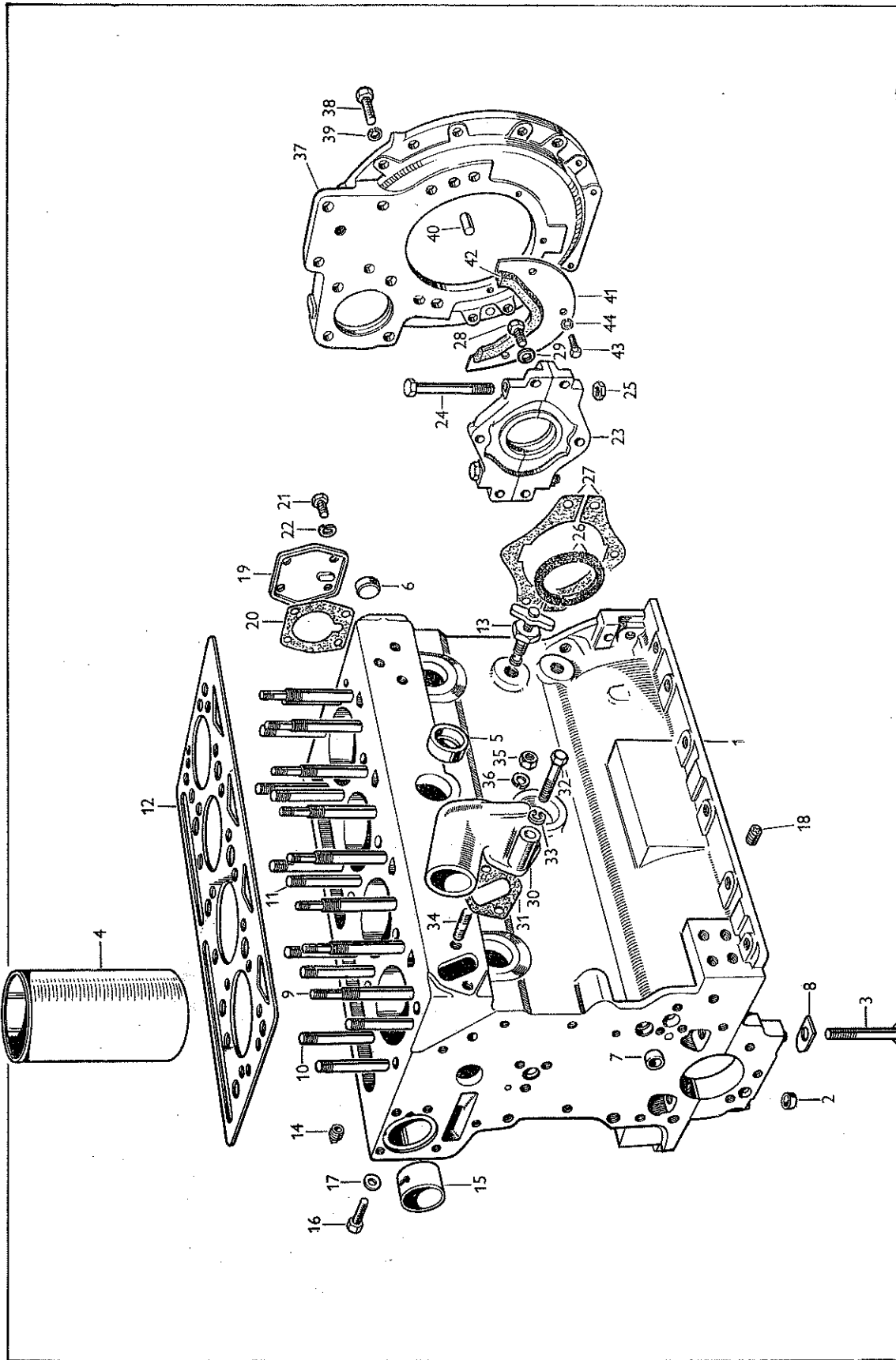


PLATE A - SECTION AE

ENGINE UNIT AND AUXILIARIES - DIESEL - PERKINS 4-203

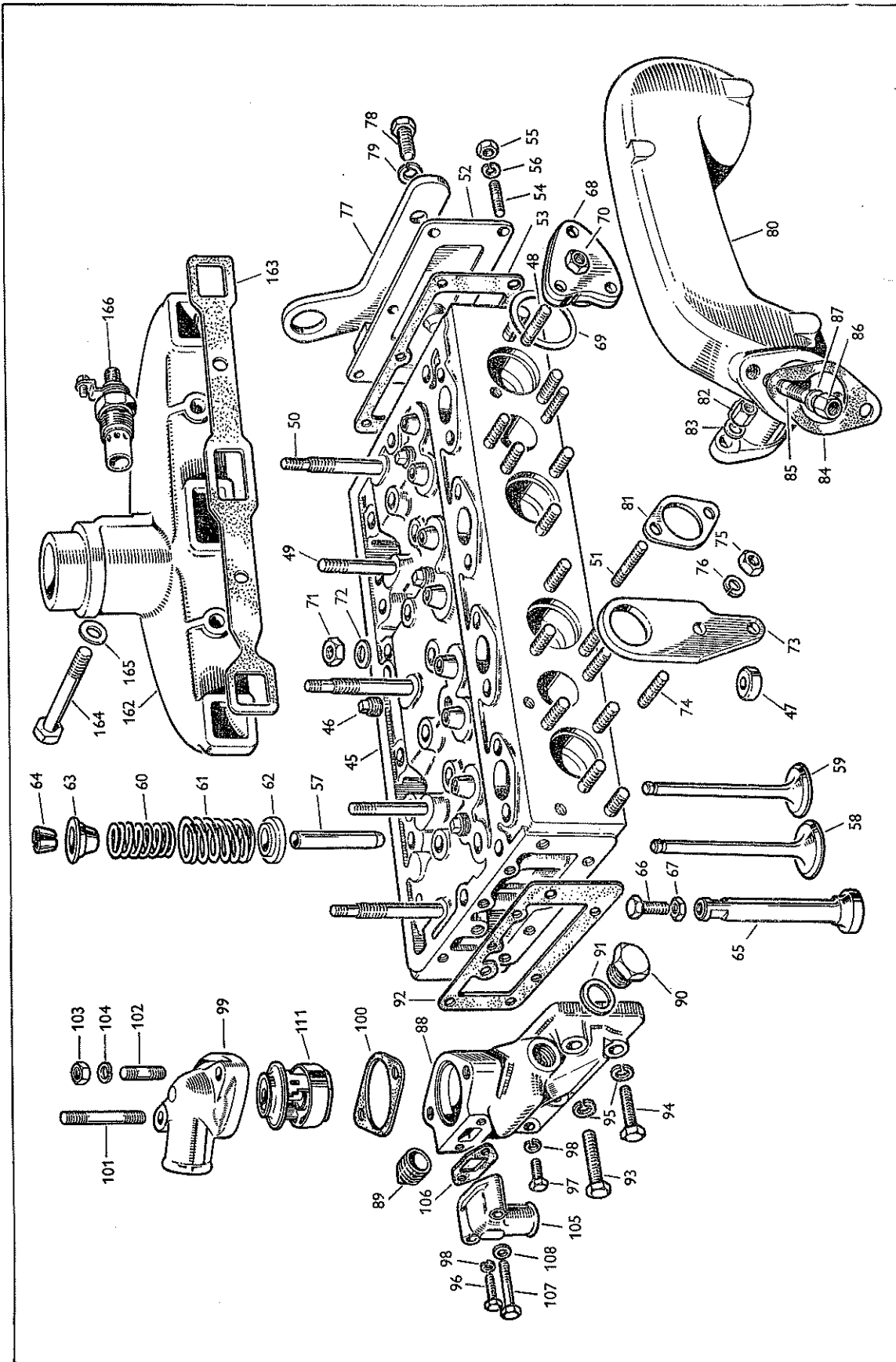


PLATE B - SECTION AE

ENGINE UNIT AND AUXILIARIES – DIESEL – PERKINS 4-203

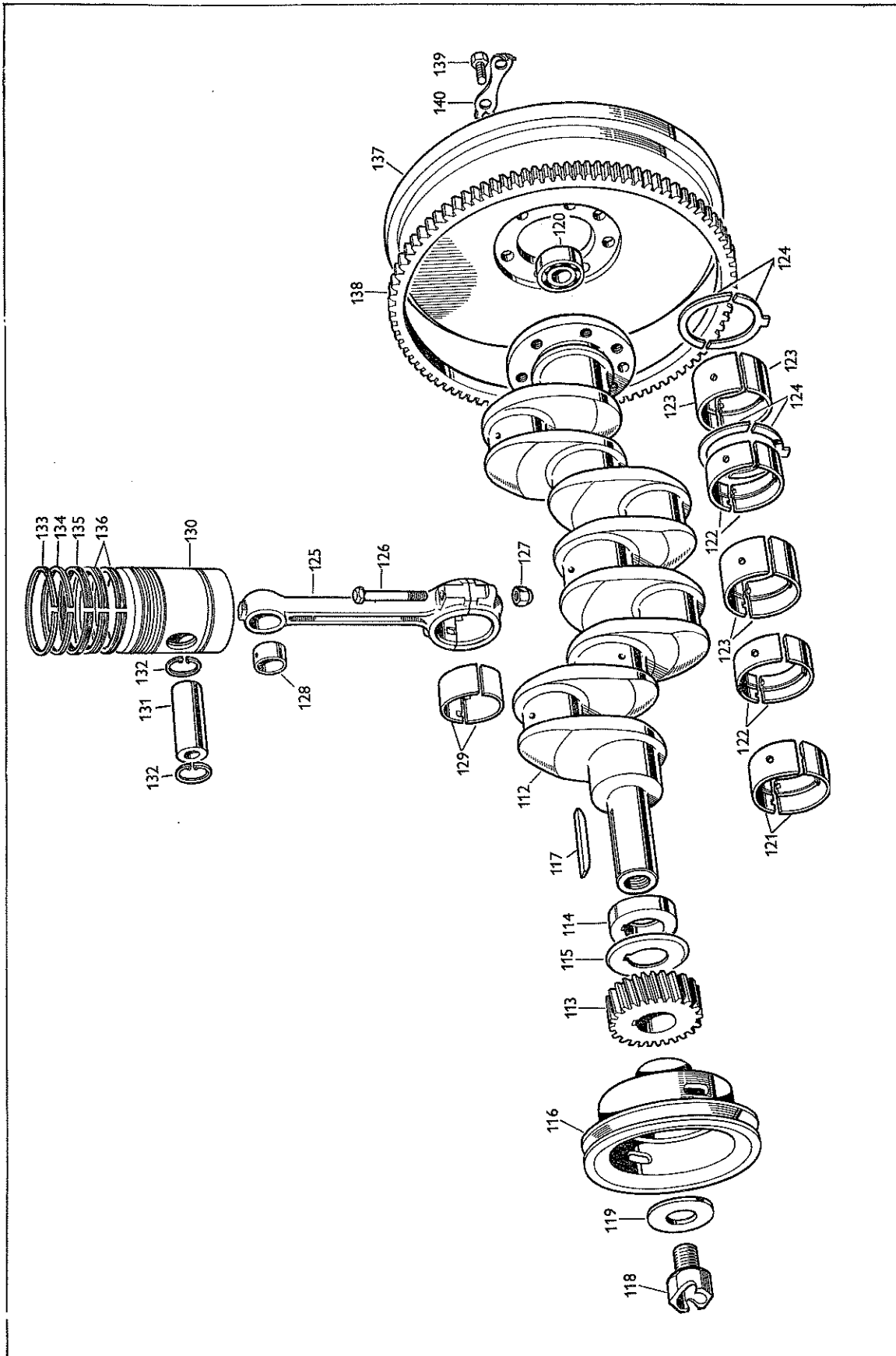


PLATE C – SECTION AE

ENGINE UNIT AND AUXILIARIES – DIESEL – PERKINS 4-203

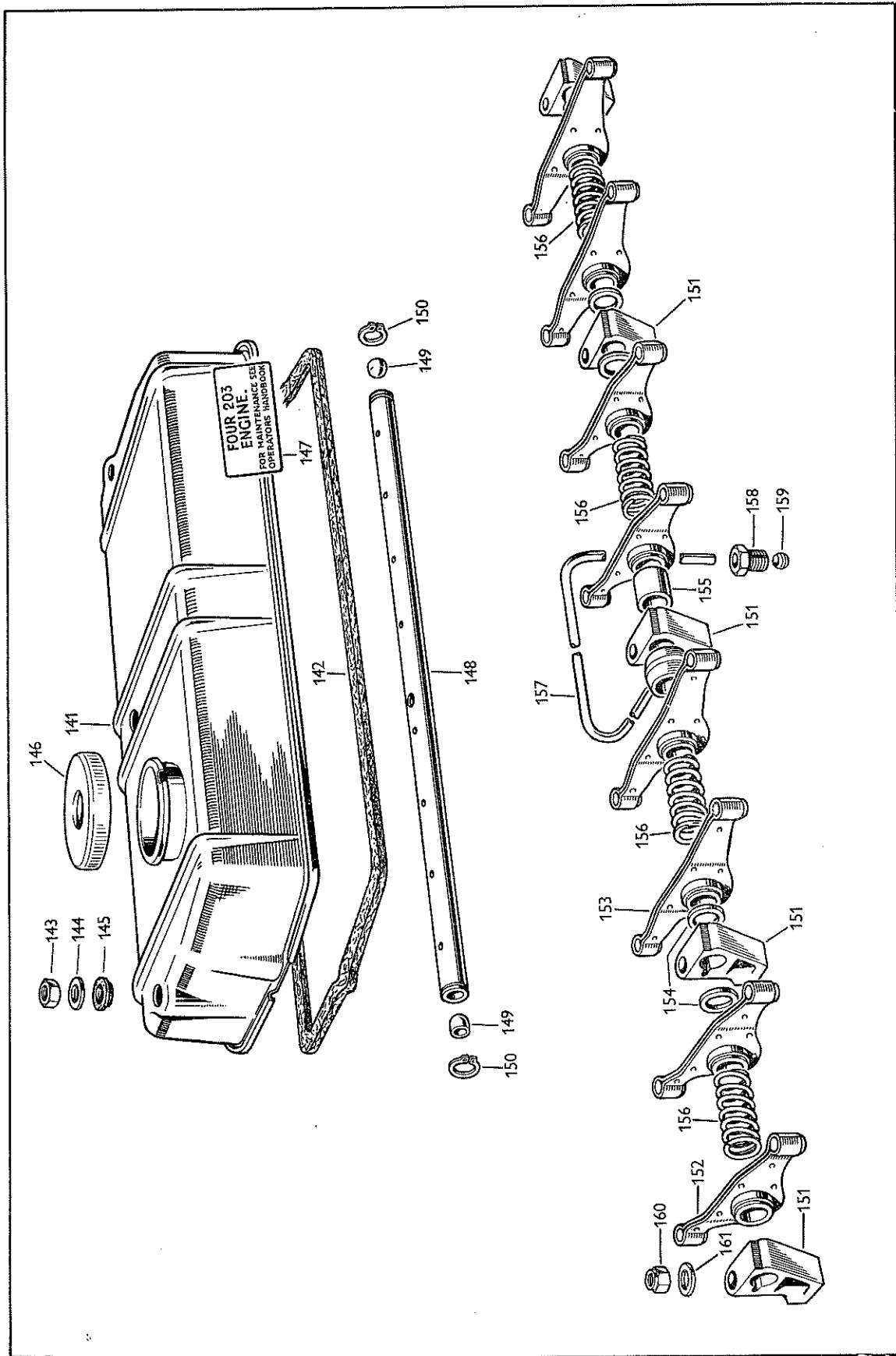


PLATE D – SECTION AE

ENGINE UNIT AND AUXILIARIES - DIESEL - PERKINS 4-203

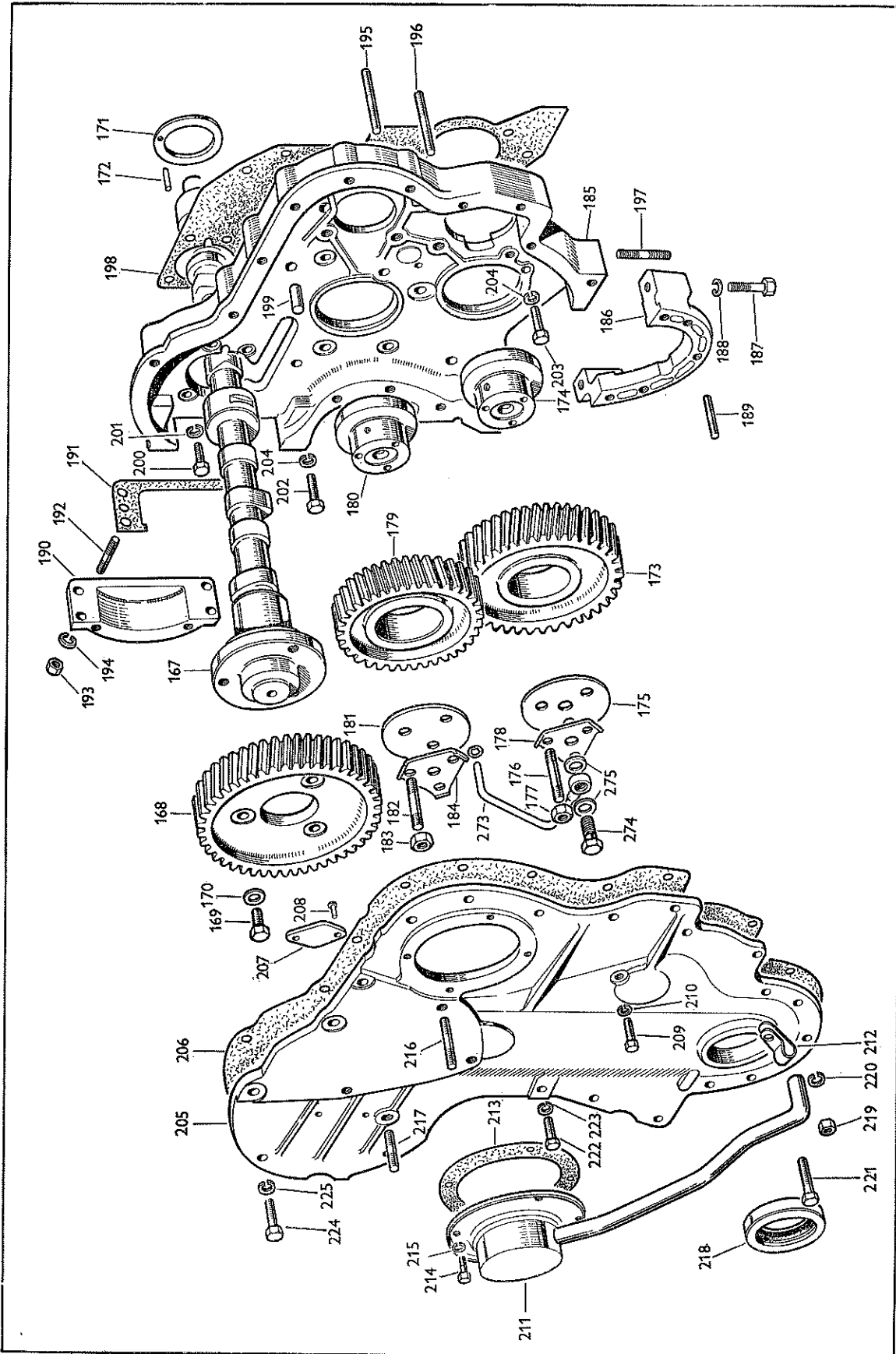


PLATE E - SECTION AE

ENGINE UNIT AND AUXILIARIES - DIESEL - PERKINS 4-203

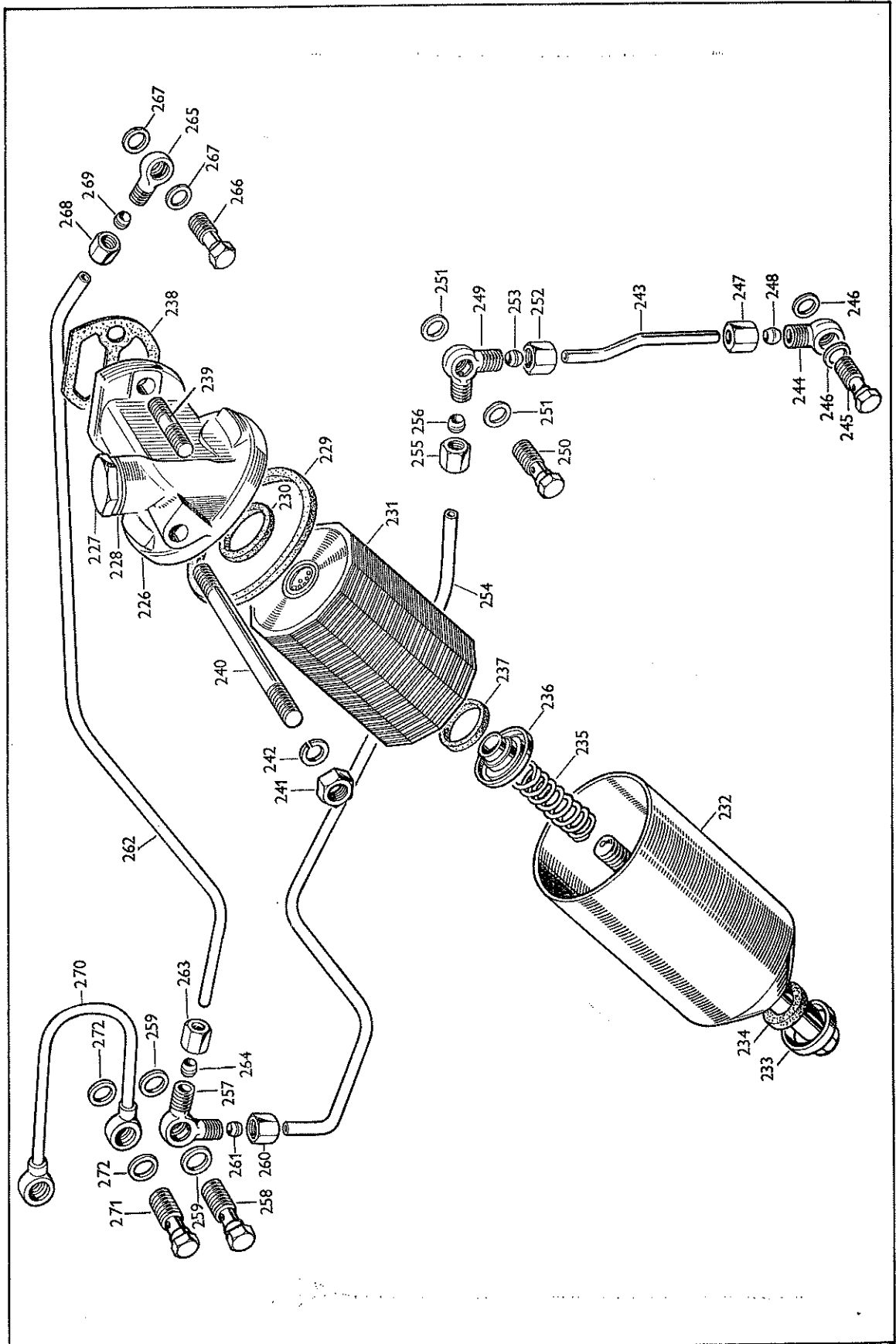


PLATE F - SECTION AE

ENGINE UNIT AND AUXILIARIES - DIESEL - PERKINS 4-203

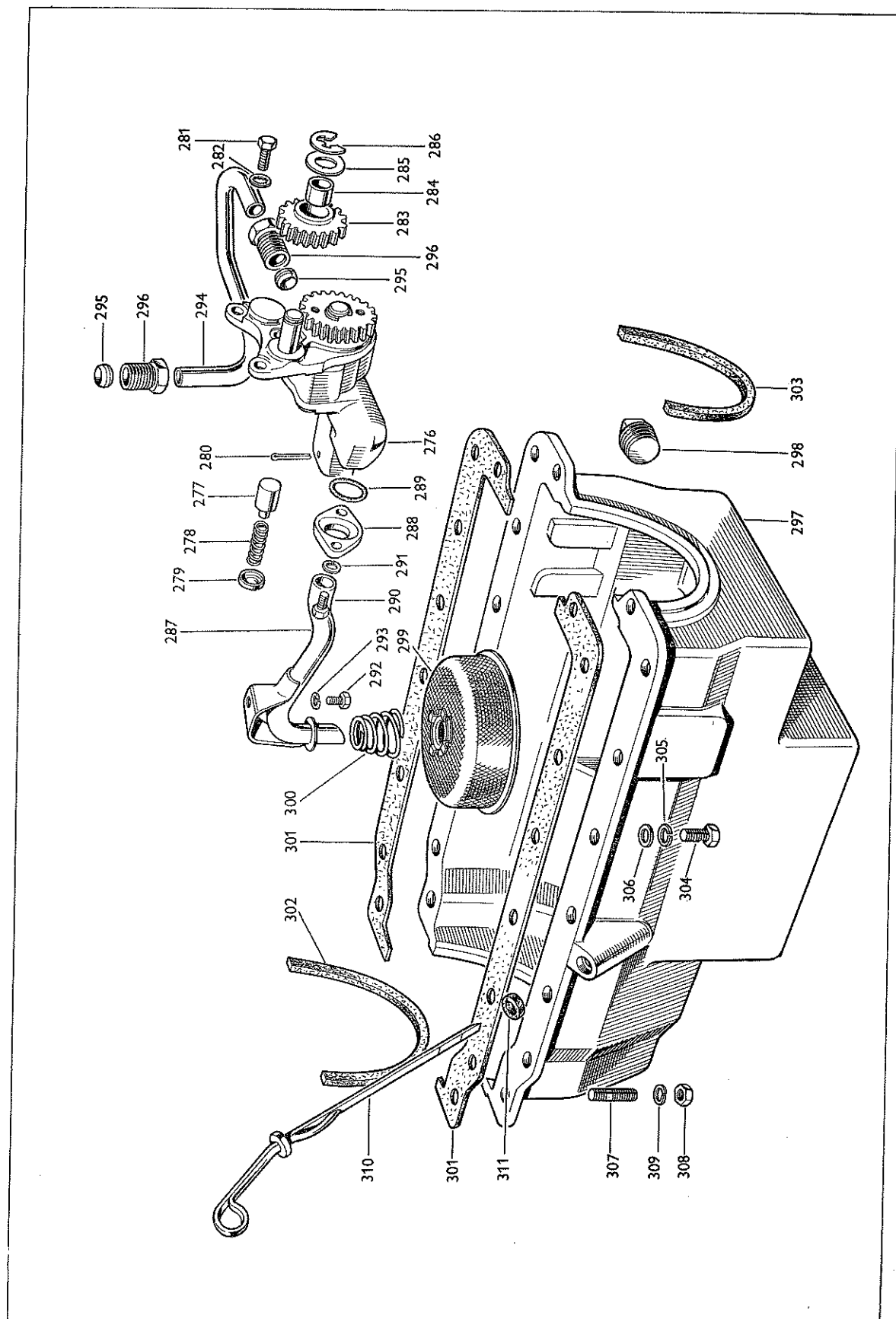


PLATE G - SECTION AE

ENGINE UNIT AND AUXILIARIES - DIESEL - PERKINS 4-203

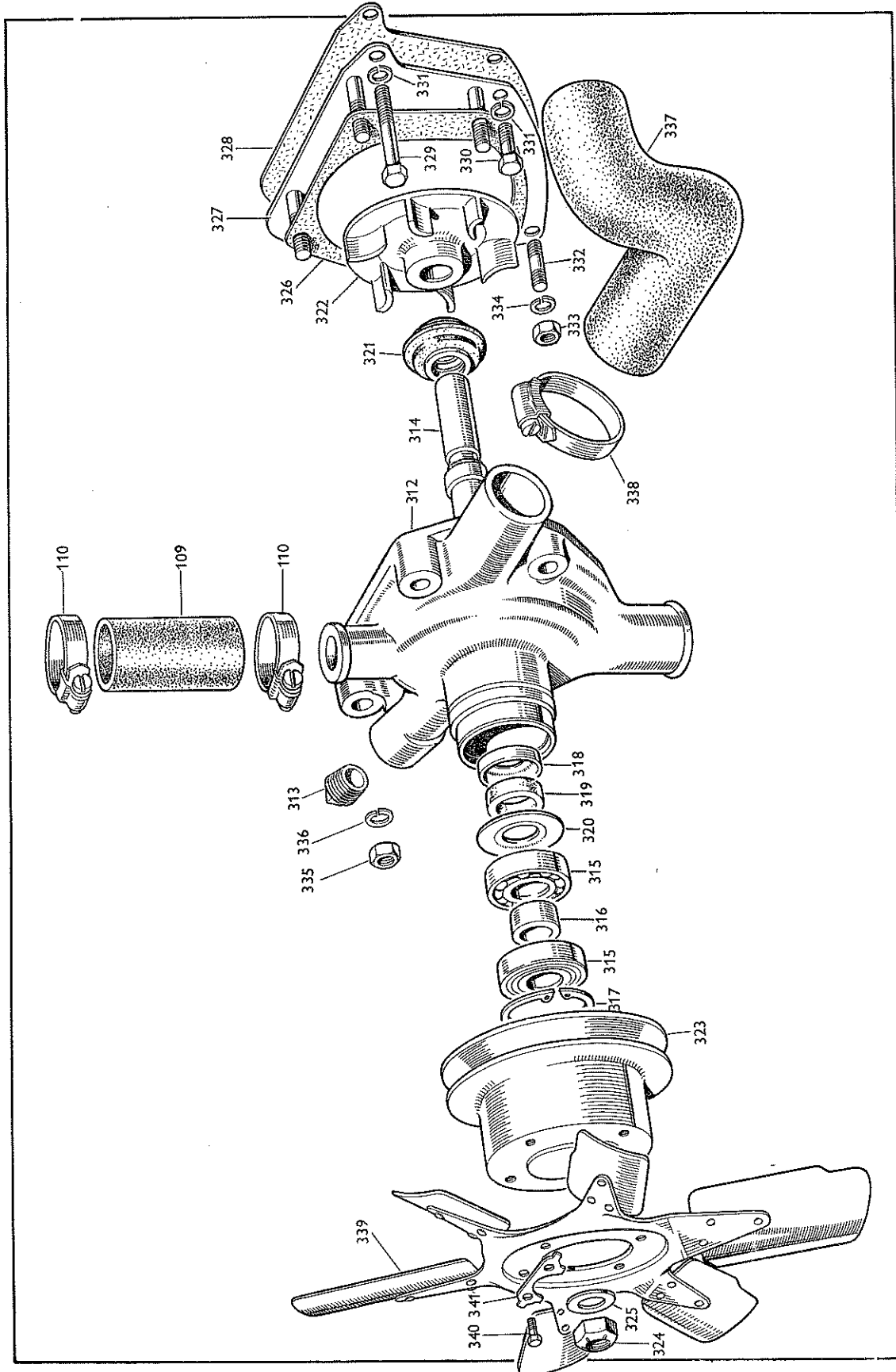


PLATE H - SECTION AE

ENGINE UNIT AND AUXILIARIES - DIESEL - PERKINS 4-203

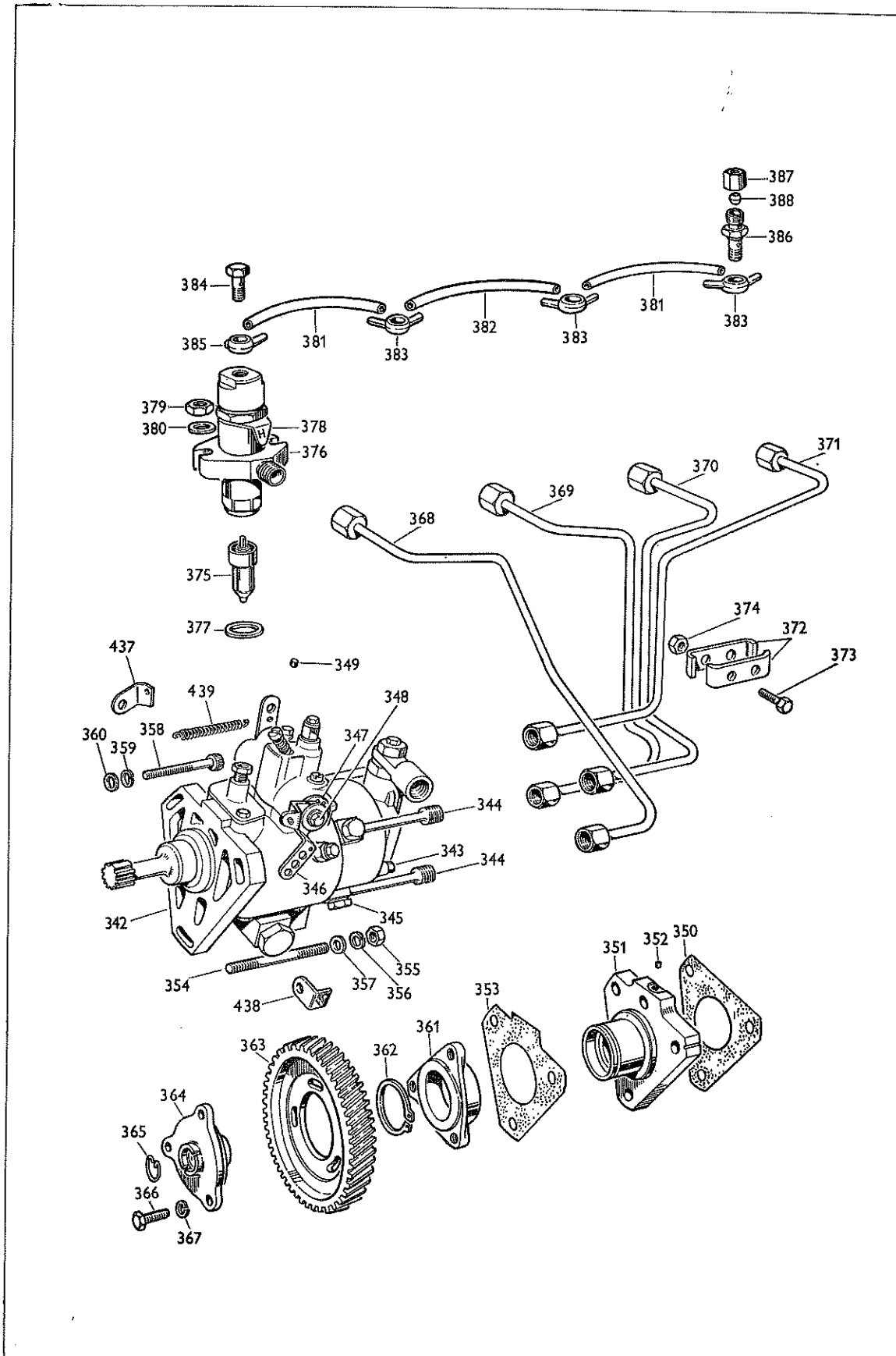


PLATE J - SECTION AE

ENGINE UNIT AND AUXILIARIES – DIESEL – PERKINS 4-203

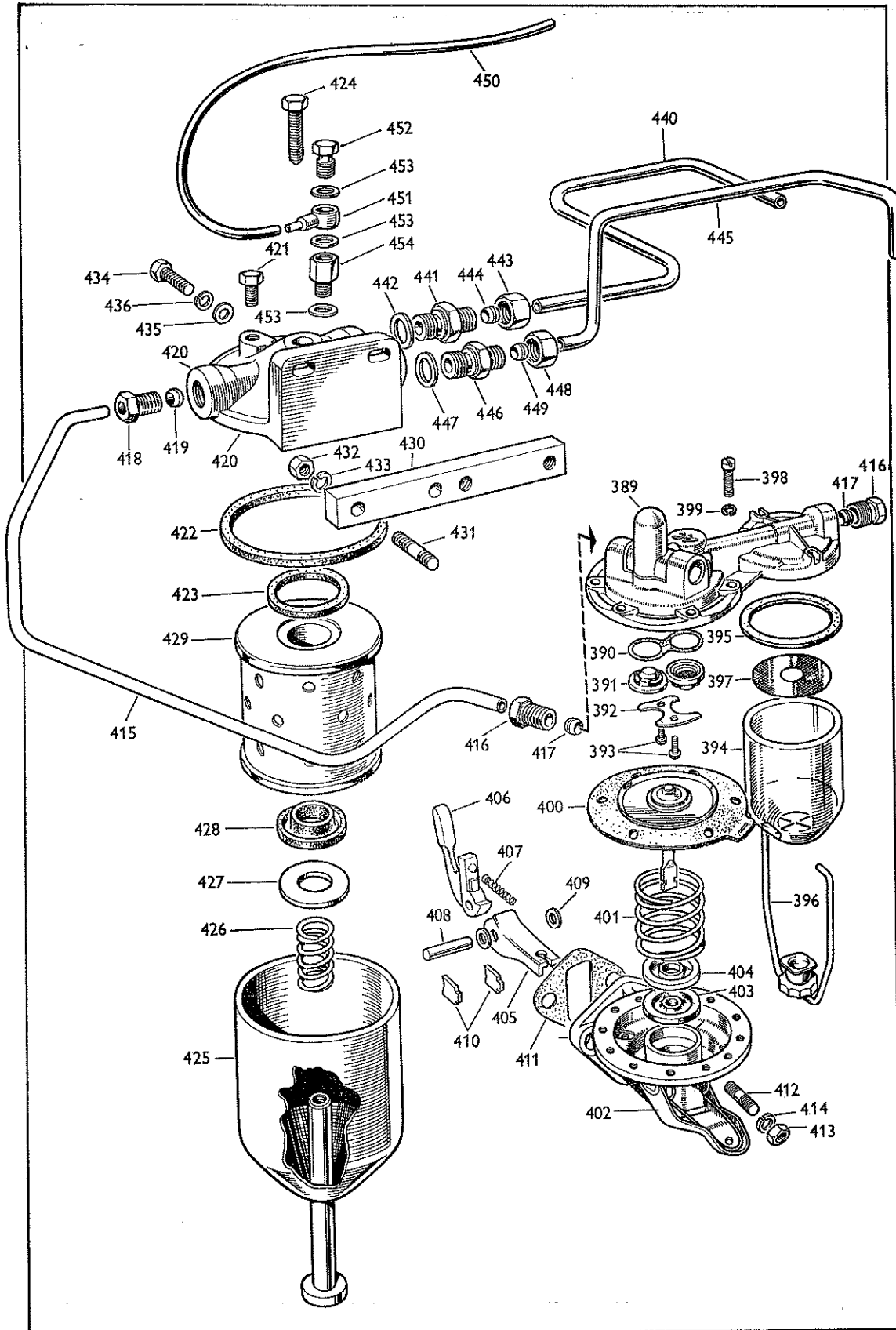


PLATE K – SECTION AE

ENGINE UNIT AND AUXILIARIES - DIESEL - PERKINS 4-203

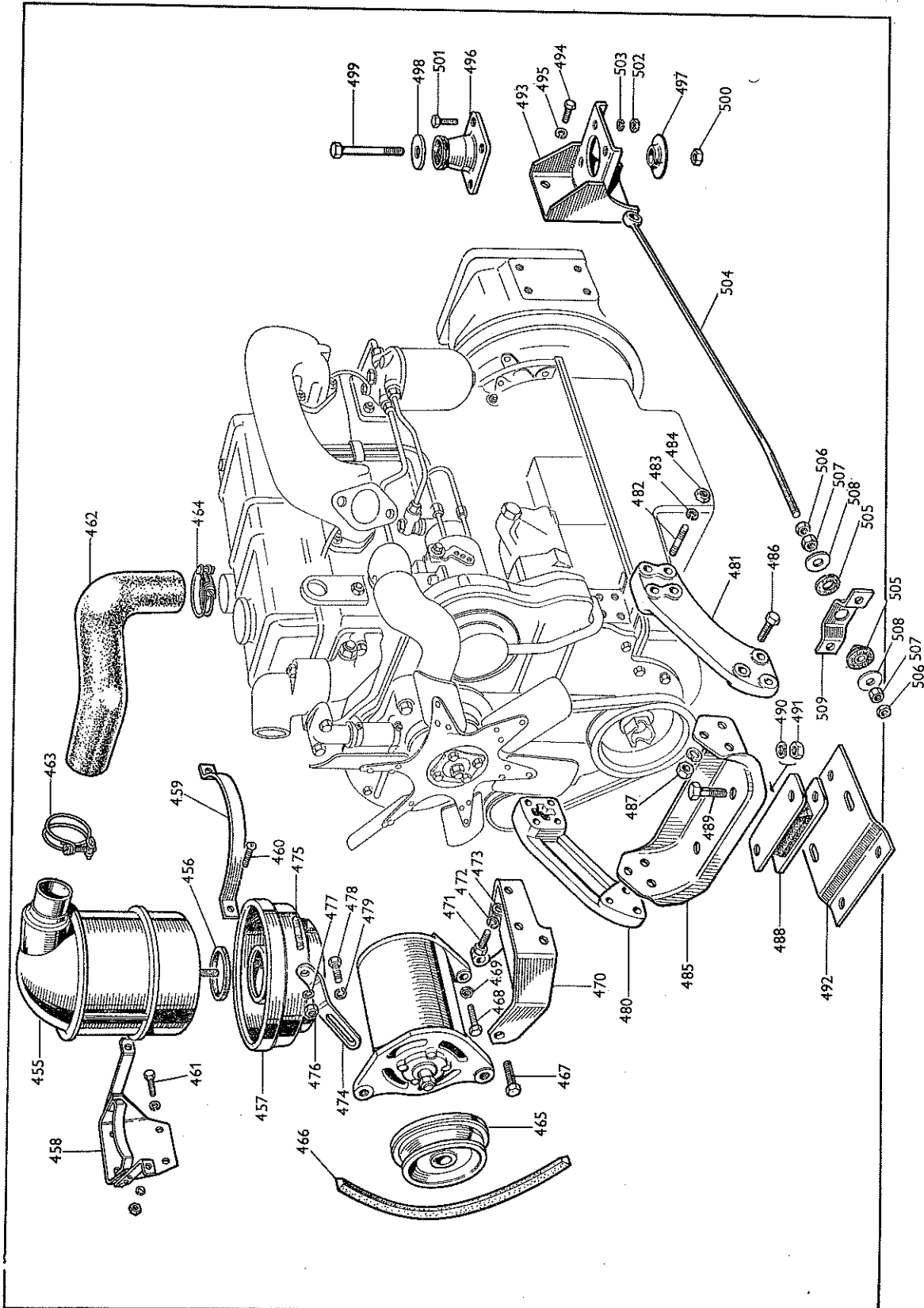


PLATE L - SECTION AE

ENGINE UNIT – DIESEL – PERKINS 4-203

Plate Ref.	Part Number	DESCRIPTION	No. per Veh.	REMARKS
		NOTE Engine serial numbers are : 2602324 up to 203U766 203U766 onwards. Alternators introduced at 203U794C.		
A1	5034156	BLOCK – CYLINDER – ASSEMBLY	1	} Not supplied
		Cap – Main bearing – Front		
		Cap – Main bearing – Intermediate		
		Cap – Main bearing – Centre		
A2	5032870	Thimble – Locating – Main bearing cap	10	
A3	5035428	Setscrew	10	
A4	5034215	Liner – “Cromard”	4	
A5	9101838	Plug – Water jacket	9	
A6	9101830	Plug – Water rail	1	Fitted up to Engine No. 2604302
A7	9101824	Plug – Pressure rail	2	
	9101838	Plug – Front face }	1	} Fitted up to Engine No. 2619114 } Fitted from } Engine No. 2619115
	9101838	Plug – Front face } Water	7	
	9101838	Plug – Front face } jacket	6	
	5032524	Plug – Heater boss }	1	
A8	5033414	Tabwasher – Main bearing cap and bolts	10	} No longer supplied
	5034521	Washer	10	
A9	5034283 s/d 5034635	Stud – Long – Cylinder head to block – Also secures atomisers	8	} Fitted up to } Engine No. 2606693
A10	29900394	Stud	10	
A11	29900393	Stud	1	
A12	5034241 s/d 5034634	Gasket	1	
	5034635	Stud – Long – Cylinder head to block – Also secures atomisers	8	} Fitted from Engine No. 2606694
	5034057	Stud	10	
	5034636	Stud	1	
	5034634	Gasket	1	
	9207017	Grip ring No longer supplied	2	
A13	5031646	Tap – Drain	1	
A14	9804420 s/d 75035876	Plug – For alternative drain tap position	1	} 2 off fitted from Engine No. 2602762
	9804410 s/d 7100882	Plug – For alternative oil pressure switch position	1	
A15	5034208	BEARING – CAMSHAFT – FRONT	1	
A16	19505031 s/d 5220691	Setscrew – Alternative dynamo position	2	
A17	5032893	Washer	2	} 3023-4023-4035 models only } Not required when } exhauster is fitted
	75035876	Plug – Exhauster	1	
	19506051 s/d 5220685	Setscrew – Exhauster feed boss to block	1	
	5033442	Washer	1	
A18	9059079 s/d 5035386	Plug – Bearer facings	5	
	19506051 s/d 5220685	Setscrew – Top hole – Fuel filter facing	1	} No longer supplied
	5033442	Washer	1	
A19	5034170	Cover – Camshaft – Rear end	1	
A20	5034183	Gasket	1	
A21	19505051 s/d 5220684	Setscrew	4	
A22	5032889	Washer	4	
A23	5033204 s/d 5035464	Housing – Oil seal – Crankshaft rear – Assembly	1	
A24	5033206	Bolt	2	
A25	9556053 s/d 9034042	Nut	2	
A26	5032606 s/d 5035027	Oil seal	2	

ENGINE UNIT – DIESEL – PERKINS 4-203

Plate Ref.	Part Number	DESCRIPTION	No. per Veh.	REMARKS
	5032305 s/d 5034709	Gasket – Oil seal housing to block	2	
A27	5034709	Gasket	2	
A28	9003168	Setscrew	6	
	5034637	Shim	6	
A29	5032923	Washer	6	
A30	5034168	CONNECTION – WATER INLET – CYLINDER BLOCK ..	1	
A31	5034182	Gasket	1	
A32	19105161	Bolt – Connection to block	1	
A33	5032889	Washer	1	
A34	5032831	Stud	1	
A35	9510050 s/d 5221350	Nut	1	} Fitted up to Engine No. 2604302
A36	5032889	Washer	1	
	5032683	Setscrew – Connection to block	1	} Fitted from Engine No. 2604303
	5032893	Washer	1	
A37	5034250	Plate – Adaptor – Flywheel housing	1	
A38	19506081 s/d 5220694	Setscrew – Plate to block	8	
A39	5032890 s/d 5221254	Washer	8	
A40	9146141 s/d 5220715	Dowel	1	
A41	5034265	Cover – Dust – Plate	1	
A42	9111430	Seal – Dust cover	1	No longer supplied
A43	19503041	Setscrew – Cover to plate	3	
A44	9660123	Washer	3	
	5032887 s/d 9067205	Washer	3	

ENGINE UNIT – DIESEL – PERKINS 4-203

Plate Ref.	Part Number	DESCRIPTION	No. per Veh.	REMARKS
	5034163	HEAD – ASSEMBLY complete with valves, guides, springs, etc.	1	} No longer supplied Use 5035490
	5035490	Head – Assembly complete with valves, guides, springs, etc.	1	
B45	5034164 s/d 5034590	Head – Cylinder	1	} See Note 1 page AE4
	5034739 s/d 5035490	Head – Cylinder	1	
B46	9804030	Plug – Water jacket	4	
B47	9088173	Plug – Water port	3	
B48	5032847	Stud – Combustion chamber cap to head	12	
B49	29900385	Stud – Rocker shaft bracket	2	
B50	5034276	Stud – Rocker shaft bracket and Rocker cover	3	
B51	29705123	Stud – Exhaust manifold	4	} 3 off only Late condition
B52	5034198	Cover – Rear	1	
B53	5033702	Gasket	1	} Fitted up to Engine No. 2619019
B54	5034277 s/d 19504052	Stud – Cover to head (Early condition)	6	
	19504052	Setscrew (Late condition)	6	
B55	5032397	Nut (Early condition)	6	
B56	5032888	Washer		
	5033359	Cover – Rear	1	} Fitted from Engine No. 2619020
	5033702	Gasket	1	
	19504052	Setscrew – Cover to head	2	
	19504061 s/d 5220695	Setscrew	4	
	5032888	Washer	6	
B57	5034149	Guide – Inlet and exhaust valve	8	} Late condition only
	29900375	Stud – Exhaust manifold – Lower front hole	1	
B58	5033696	VALVE – INLET	4	
B59	5032880	Valve – Exhaust	4	
B60	5032736	Spring – Valve – Inner	8	
B61	5032735	Spring – Valve – Outer	8	
B62	5034150	Washer – Spring locating	8	
B63	5031978	Cap – Spring retaining	8	
B64	5032071	Cotters	8 prs.	
B65	5033210	TAPPET	8	
B66	5033209	Screw – Tappet adjusting	8	
B67	5032404	Locknut	8	
B68	5033853	Cap – Combustion chamber	4	
B69	5034180 s/d 5034722	Gasket – Cap to head	4	
B70	5032403 s/d 9510063	Nut	12	} See page AE1 – Item A12
		GASKET – Head to block		
		Stud		
B71	5032406	Nut – Head retaining	19	} Centre stud only
B72	9067036	Washer	1	
B73	5034196 s/d 5034346	PLATE – ENGINE LIFTING – FRONT	1	} Early condition
B74	29900382	Stud – Plate to head	2	
B75	5032403 s/d 9510063	Nut	2	
B76	5032890	Washer	2	
	5034346	Plate – Engine lifting – Front	1	} Late condition
	19506071	Setscrew – Plate to head	2	
	5032890 s/d 5221254	Washer	2	

ENGINE UNIT – DIESEL – PERKINS 4-203

Plate Ref.	Part Number	DESCRIPTION	No. per Veh.	REMARKS
B77	5032987	PLATE – ENGINE LIFTING – REAR	1	} Fitted up to Engine No. 2619019
B78	19506061 s/d 5220686	Setscrew – Plate to end cover	1	
B79	5032890 s/d 5221254	Washer	1	
B80	5035167	Plate – Engine lifting – Rear	1	} Fitted from Engine No. 2619020
	5035168	Bracket – Plate to rear cover	1	
	19506042	Setscrew	1	
	5032890 s/d 5221254	Washer	1	
	5034264	MANIFOLD – EXHAUST	1	
	5035480	Manifold – Exhaust	1	Fitted upto Engine No. 203U9687 and Chassis No. KCB 016936 – CKD – KCB 701330 Fitted from Engine No. 203U9688 and Chassis No. KCB 016937 – CKD – KCB 701331
B81	5032246	Gasket – Manifold to head	2	} Not supplied
B82	9510051 s/d 5221350	Nut	4	
B83	5032886	Washer	4	
		Flange – Manifold outlet (Up to Engine No. 2602761 only)		
B84	5032239	Gasket – Exhaust pipe to manifold	1	
B85	5032843 s/d 29806153	Stud	2	
B86	9510061 s/d 5221351	Nut	2	
B87	9082038	Washer	2	
B88	5034263	HOUSING – THERMOSTAT AND WATER OUTLET	1	
B89	5032503 s/d 5035485	Plug	1	
B90	5032493	Plug	1	
B91	5032907 s/d 5034390	Washer	1	} Fitted up to Engine No. 203U1045C Fitted from Engine No. 203U1046C
B92	5034184	Gasket – Thermostat housing to head	1	
	5032231	Gasket	1	
B93	19506141	Setscrew	1	
B94	19506081 s/d 5220694	Setscrew	1	
B95	5032910	Washer	2	} Top holes only Bottom holes only
B96	19504071 s/d 5220682	Setscrew	2	
B97	19504052	Setscrew	2	
B98	5032888	Washer	4	
B99	5034262	PIPE – TOP WATER OUTLET	1	
B100	5032263	Gasket – Top water pipe to thermostat housing	1	} Fitted up to Engine No. 2621849
B101	29900385	Stud	1	
B102	5032852	Stud	1	
B103	5032403 s/d 9510063	Nut	2	
B104	5032890 s/d 5221254	Washer	2	
	19106121	Bolt	1	} Fitted from Engine No. 2621850
	19106203	Bolt	1	
	5032890 s/d 5221254	Washer	2	
B105	5034261	Connection – By-pass to thermostat housing	1	
B106	5034245	Gasket	1	
B107	19105151	Bolt	2	
B108	5032893	Washer	2	
H109	9166240	Hose – Connection to water pump	1	
H110	9780003 s/d 5032012	Clip	2	
B111	5033583	THERMOSTAT	1	

NOTE 1: 5034164 and 5034739 Cylinder Head (Minor) assemblies have been superseded to 5035490 Cylinder Head (Major) Assembly.

ENGINE UNIT – DIESEL – PERKINS 4-203

Plate Ref.	Part Number	DESCRIPTION	No. per Veh.	REMARKS	
C112	5034214 s/d 5035228	CRANKSHAFT	1	Fitted from Engine No. 2623479 up to Engine No. 203U7098C	
	5034379 s/d 5035228	Crankshaft	1		
	5035029 s/d 5035228	Crankshaft – Tuf-trided	1		
	5035228	Crankshaft – Tuf-trided complete with bearings	1		
C113	5034175	Gear	1	} Fitted up to Engine No. 2601583 Fitted from Engine No. 2601584 up to Engine No. 203U765 Fitted from Engine No. 203U766	
C114	5034273	Spacer – Gear	1		
C115	5032156	Flange – Oil thrower .. (Use with 5034209 only)	1		
C116	5034209 s/d 5034298	Pulley – Crankshaft	1		
	5034297	Flange – Oil thrower	1		
	5034298	Pulley – Crankshaft	1		
	5035258	Pulley – Crankshaft	1		
C117	9213132	Key – Gear and pulley to crankshaft	1		
C118	5034171 s/d 5034878	Dog – Starting	1		
C119	5032953	Lockwasher – Starting dog	1		
C120	9198005	Bearing – Clutch spigot to flywheel	1		
C121	5150865	BEARING – MAIN – FRONT – Standard	1 set	} Each set comprises 4 top halves and 4 bottom halves	
	5150866	Bearing – Main – Front ·010" (·254 mm.) undersize	1 set		
	5150867	Bearing – Main – Front ·020" (·508 mm.) undersize	1 set		
	5150868	Bearing – Main – Front ·030" (·762 mm.) undersize	1 set		
C122	5150870	BEARING – MAIN – INTERMEDIATE – Standard	1 set	} Each set comprises 8 halves	
	5150871	Bearing – Main – Intermediate ·010" (·254 mm.) undersize	1 set		
	5150872	Bearing – Main – Intermediate ·020" (·508 mm.) undersize	1 set		
	5150873	Bearing – Main – Intermediate ·030" (·762 mm.) undersize	1 set		
C123	5150876	BEARING – MAIN – CENTRE AND REAR – Standard	1 set	} Each set comprises 2 top halves and 2 bottom halves – Fitted up to Engine No. 2602323	
	5150877 s/d 5150893	Bearing – Main – Centre and rear ·010" (·254 mm.) undersize	1 set		
	5150878	Bearing – Main – Centre and rear ·020" (·508 mm.) undersize	1 set		
	5150879	Bearing – Main – Centre and rear ·030" (·762 mm.) undersize	1 set		
		5150892	BEARING – MAIN – CENTRE AND REAR – Standard	1 set	} Each set comprises 4 halves – Fitted from Engine No. 2602324
		5150893	Bearing – Main – Centre and rear ·010" (·254 mm.) undersize	1 set	
	5150894	Bearing – Main – Centre and rear ·020" (·508 mm.) undersize	1 set		
C124	5150888	Washer – Thrust – Standard	2 prs.	} Each pair comprises 1 top half and 1 bottom half	
	5150890	Washer – Thrust ·007" (·1778 mm.) oversize	2 prs.		
C125	5033203	ROD – CONNECTING – ASSEMBLY	4	Fitted up to Engine No. 2603677 Fitted from Engine No. 2603678	
C126	5033205	Bolt	8		
C127	5033207 s/d 5034822	Nut	8		
	5034528 s/d 5034822	Nut	8		
C128	5031862	Bush – Small end	4		
C129	5150881	BEARING – BIG END – Standard	1 set	} Each set comprises 4 top halves and 4 bottom halves	
	5150882	Bearing – Big end ·010" (·254 mm.) undersize	1 set		
	5150883	Bearing – Big end ·020" (·508 mm.) undersize	1 set		
	5150884	Bearing – Big end ·030" (·762 mm.) undersize	1 set		

ENGINE UNIT – DIESEL – PERKINS 4·203

Plate Ref.	Part Number	DESCRIPTION	No. per Veh.	REMARKS
C130	5034129 s/d 5035425	PISTON – COMPLETE – Standard .. See Data 2A/344	4	Fitted up to Engine No. 2606629
	5034606 s/d 5035425	Piston – Complete – Standard	4	Fitted from Engine No. 2606630
	5035425	Piston complete with pin and circlips	4	
C131	5032434	Pin – Gudgeon	4	No longer supplied separately
C132	5031988	Circlip – Pin	8	
	5035410	Ring – Set See Data 2A/344	4	
C133	5033315	Ring – Compression – Top groove	4	} Not supplied – Use sets
C134	5033316	Ring – Compression – 2nd groove	4	
C135	5034130	Ring – Compression – 3rd groove	16	
C136	5033314	Ring – Scraper – 4th and 5th groove	8	
#	75063436	Ring – Set	4	For use with worn chrome liners
NOTE. Pistons require "topping" before final engine assembly. Refer to Service literature.				
C137	5034201	FLYWHEEL AND STARTER RING	1	
C138	5034187	Ring – Starter	1	
C139	19505081	Setscrew – Flywheel to crankshaft	6	
C140	5033413	Tabwasher	3	
D141	5034254	COVER – CYLINDER HEAD	1	
D142	5034185	Gasket – Cover to head	1	See cylinder head
		Stud		
D143	9552053 s/d 9034032	Nut – Nyloc	3	
D144	9067405	Washer – Steel	3	
D145	9119531	Washer – Rubber	3	
D146	5034152	Cap – Lubricating oil filler	1	
D147		Label – Engine name		Not supplied
	5034155	SHAFT – ROCKER – ASSEMBLY	1	
D148	5031754	Shaft – Complete with plugs	1	
D149	5032499	Plug – Shaft ends	2	
D150	5031995	Circlip – Locating	2	
D151	5031968	Bracket	5	
	5032726	Shim	A/R	
D152	5032335	Lever – Rocker – R.H.	4	
D153	5032334	Lever – Rocker – L.H.	4	
D154	5034173	Spacer – Short	4	
D155	5032117	Spacer – Long	1	
D156	5032738	Spring	4	
D157	5034199	Pipe – Lubricating oil feed to rocker	1	
D158	5200220 s/d 9156513	Nut – Pipe to head	1	
D159	5032356	Olive	1	
D160	9552063 s/d 5220708	Nut – Brackets to head	5	} Alternative
	5035111	Nut	5	
D161	9082038	Washer	5	See cylinder head
		Stud		
B162	5034188	MANIFOLD – INDUCTION	1	
B163	5032244	Gasket – Manifold to head	1	
B164	19107281	Bolt	2	
B165	5032891	Washer	2	
	5033855 s/d 5034423	THERMOSTART – COLD STARTING AID	1	Fitted up to Engine No. 2611188
B166	5034423	Thermostart – Cold starting aid	1	Fitted from Engine No. 2611189
#	5032412 s/d 3261118	Nut – Fuel pipe to thermostart	1	
	5032356	Olive	1	

ENGINE UNIT – DIESEL – PERKINS 4-203

Plate Ref.	Part Number	DESCRIPTION	No. per Veh.	REMARKS
E167	5034167	CAMSHAFT	1	
E168	5034176	Gear – Camshaft drive	1	
E169	5032676 s/d 19505062	Setscrew – Gear to camshaft	3	
	19505062	Setscrew	3	
E170	5032889	Washer	3	
E171	5034194	Plate – Camshaft thrust	1	
E172	9844208	Pin – Plate locating	1	
E173	5034213	GEAR – Lower idler	1	
E174	5034217	Hub – Lower idler gear	1	
E175	5034197	Plate – Retaining – Hub and gear to block	1	
E176	29506222	Stud	3	
E177	5032403 s/d 9510063	Nut	3	
E178	5034279	Tabwasher	1	
E179	5034174	GEAR – Upper idler	1	
E180	5034217	Hub – Upper idler gear	1	
E181	5034195	Plate – Retaining – Hub and gear to block	1	
E182	29900380	Stud	3	
E183	5032403 s/d 9510063	Nut	3	
E184	5034279	Tabwasher	1	
	5034159 s/d 5034251	HOUSING – TIMING GEAR – ASSEMBLY	1	No longer supplied
E185	5034251	Housing – Timing gear	1	
E186	5034255	Cover – Bottom	1	
E187	19605141	Setscrew – Cover to housing	2	
E188	5032889	Washer	2	
E189	29805092	Stud – Front cover to bottom cover	5	See Note Page AE8
E190	5034257	Cover – Power take-off	1	
E191	5034244	Gasket – Cover to timing gear housing	1	
E192	29900404	Stud	4	} Early condition
E193	9510050 s/d 5221350	Nut	4	
E194	5032889	Washer	4	} Late condition
	19405101	Setscrew	4	
	5032893	Washer	4	
E195	29805172	Stud – Fuel pump and gear carrier to housing	2	} Also listed in Fuel Injection Section
	9510050 s/d 5221350	Nut	2	
	5032889	Washer	3	
	5032886	Washer	3	
	9215548	Cap screw – – Top hole	1	
E196	29805122	Stud – Exhauster to housing	4	} Also listed in Fuel Injection Section
	9510050 s/d 5221350	Nut	4	
	5032889	Washer	4	
	19605081	Setscrew } Late	4	
	5032893	Washer } condition	4	
E197	29805102	Stud – Sump to housing	2	} Fitted from Engine No.2612483
	5034774	Cover	1	
	5034773	Gasket	1	
	19605051	Setscrew	4	
E198	5034243	Gasket – Housing to block	1	} No longer supplied
E199	5032139	Dowel	2	
E200	9003166	Setscrew	4	
E201	5032923	Washer	4	
	5034637	Shim	4	
E202	5032683	Setscrew	10	
E203	19506091 s/d 5220687	Setscrew	1	
E204	5032889	Washer	11	

ENGINE UNIT – DIESEL – PERKINS 4-203

Plate Ref.	Part Number	DESCRIPTION	No. per Veh.	REMARKS
	5034158 s/d 5034380	COVER – FRONT – ASSEMBLY – Timing gear housing ..	1	Fitted up to Engine No. 2602065
	5034380 s/d 5035116	Cover – Front – Assembly	1	Fitted from Engine No. 2602066 up to Engine No. 2608884
	5034631 s/d 5035056	Cover – Front – Assembly	1	Fitted from Engine No. 2608885 up to Engine No. 2613895
	5034828 s/d 5035056	Cover – Front – Assembly	1	Fitted from Engine No. 2613896 onwards
E205	5034252 s/d 5034381	Cover – Front	1	Fitted up to Engine No. 2601583
	5034381 s/d 5035116	Cover – Front	1	Fitted from Engine No. 2601584 Up to Engine No. 2608884
	5034632 s/d 5035056	Cover – Front	1	Fitted from Engine No. 2608885
E206	5034242	Gasket – Cover to housing	1	
E207	5034235	Plate – Thrust – Camshaft front end	1	
E208	5032555	Rivet – Plate to cover	1	
	5034382	Pin – Engine timing	1	
	9077090	Washer – Timing pin	1	No longer supplied
E209	19604041	Setscrew	1	
E210	9077090	Washer	1	No longer supplied
E211	5034258 s/d 75035882	Cover – Inspection complete with pipe and clip	1	
E212	9176055	Clip – Breather pipe to cover setscrew	1	
E213	5034219	Gasket – Inspection cover to front cover	1	
E214	19604041	Setscrew	4	
E215	9077090	Washer	4	
E216	5034763	Stud – Water pump mounting	3	Early condition
	19606061 s/d 5220699	Setscrew	3	Late condition
E217	29900406	Stud – Dynamo adjusting lever mounting	1	Fitted up to Engine No. 2608884
	29900415	Stud	1	Fitted from Engine No. 2608885 up to Engine No. 2613895
	3021281	Stud	3	KAB 3023 Ambulance
	5034829 s/d 5220699	Setscrew – Front cover to dynamo adjusting lever support plate	1	Fitted from Engine No. 2613896
E218	9102157	Oil seal	1	Fitted up to Engine No. 2601583
	9102171	Oil seal	1	Fitted from Engine No. 2601584
E219	9510050 s/d 5221350	Nut – Front cover to bottom cover	5	} See Note
E220	5032889	Washer	5	
	19605061 s/d 5220697	Setscrew	5	
	9077088	Washer	5	
E221	39615160	Screw – Front cover to housing	1	
E222	19606101	Setscrew	1	
E223	5032890 s/d 5221254	Washer	1	
E224	19605071	Setscrew	13	} Fitted up to Engine No. 2613895
E225	5032889	Washer	13	
	19605071	Setscrew	11	} Fitted from Engine No. 2613896 up to Engine No. 203U765
	19405101	Setscrew	2	
	5032889	Washer	13	
	5035259	Plug	1	} Fitted from Engine No. 203U766 onwards
	5033442	Washer – Plug	1	
	19405101	Setscrew	2	
	19605071	Setscrew	10	
	19605091	Setscrew	1	
	5032889	Washer	13	
<p>Note: 29805092 Stud, 5221350 Nut and 5032889 Washer (Early condition) can be replaced by 5220697 Setscrew and 9077088 Washer (Late condition).</p>				

ENGINE UNIT – DIESEL – PERKINS 4-203

Plate Ref.	Part Number	DESCRIPTION	No. per Veh.	REMARKS
	5039543	FILTER – ASSEMBLY – LUBRICATING OIL	1	
F226	5039544	Cover – Top – Assembly	1	
F227	9801663	Plug	1	
F228	9078042	Washer – Plug	1	
	K.30050	Spring – Oil pressure relief	1	
	9187013	Ball	1	
F229	9122173	Seal – Cover to container	1	
F230	K.26009	Seal – Element top	1	
F231	5039546	Element	1	
F232	5039545	Container – Assembly	1	No longer supplied
F233	5037660	Bolt – Centre	1	
F234	K.26007	Washer – Bolt sealing	1	
F235	5038399	Spring – Element	1	
F236	K.26008	Retainer	1	
F237	K.26009	Seal – Element bottom	1	
		* NOTE 9122173 Seal is included in 5039546 Element Pack.		
F238	5034181	Gasket – Filter to block	1	
F239	29706122	Stud	1	} Early condition
F240	29900384	Stud	1	
F241	5032403 s/d 9510063	Nut	2	
	19506081 s/d 5220694	Setscrew	1	} Late condition
	19106361	Bolt	1	
	5032890 s/d 5221254	Washer	2	
F243	5034189	PIPE – PRESSURE RAIL TO UPPER IDLER GEAR	1	
F244	9159020	Banjo – Pressure rail	1	
F245	9159524	Bolt – Banjo	1	
F246	5032902	Washer – Banjo bolt	2	
F247	9156082	Nut – Pipe	1	
F248	9157106 s/d 5220717	Olive	1	
F249	9159415	Banjo – 2-way – Idler gear	1	
F250	9159524	Bolt – Banjo	1	
F251	5032902	Washer – Banjo bolt	2	
F252	9156082	Nut – Pipe	1	
F253	9157106 s/d 5220717	Olive	1	
F254	5034221	PIPE – UPPER IDLER GEAR TO CAMSHAFT CHAMBER	1	
F255	5032412	Nut – Pipe	1	
F256	5032356	Olive	1	
F257	9159414	Banjo – 2-way	1	
F258	9159524	Bolt – Banjo	1	
F259	5032902	Washer – Banjo bolt	2	
F260	5032412	Nut – Pipe	1	
F261	5032356	Olive	1	

ENGINE UNIT – DIESEL – PERKINS 4-203

Plate Ref.	Part Number	DESCRIPTION	No. per Veh.	REMARKS	
F262	5034220	PIPE – CAMSHAFT CHAMBER TO CAMSHAFT BEARING	1		
F263	5032412	Nut – Pipe	1		
F264	5032356	Olive	1		
F265	9159021	Banjo	1		
F266	9159524	Bolt – Banjo	1		
F267	5032902	Washer – Banjo bolt	2		
F268	5032412	Nut – Pipe	1		
F269	5032356	Olive	1		
F270	5034232	Pipe – Assembly – Camshaft chamber to cylinder head	1		
F271	9159524	Bolt – Banjo	2		
F272	5032902	Washer – Banjo bolt	4		
E273	5034230	PIPE – IDLER GEAR SPRAY	1		
E274	9159501	Bolt – Banjo	1		
E275	9077014	Washer – Banjo bolt	2		
G276	5034667 s/d 5035387	PUMP – ASSEMBLY – LUBRICATING OIL	1	} Fitted up to Engine No. 203U5806	
G277	5033623 s/d 5035360	Plunger – Oil relief valve	1		
G278	5033624 s/d 5035361	Spring	1		
G279	5033625 s/d 5034836	Cap	1		
G280	9830810	Pin – Split	1		
	5034881	Ring – Sealing	1		
	5035387	Pump – Assembly – Lubricating oil	1		} Fitted from Engine No. 203U5807
	5035360	Plunger	1		
	5035361	Spring	1		
	5033625 s/d 5034836	Cap	1		
	9830810	Pin – Split	1		
G281	19505062	Setscrew – Pump to front main bearing cap	3		
G282	5032923	Washer	3		
G283	5034200	GEAR – IDLER – Complete with bush	1		
G284	5034166	Bush	1		
G285	9067433	Washer – Gear retaining	1		
G286	5032028	Circlip	1		
G287	5034233	PIPE – ASSEMBLY – SUCTION – Complete with clip	1		
G288	5034236	Flange – Pipe	1		
G289	9107055	Ring – Flange sealing	1		
G290	19505062	Setscrew – Flange to housing	2		
G291	5032889	Washer	2		
G292	19504041 s/d 5220690	Setscrew – Pipe to bearing cap	1		
G293	5032888	Washer	1		
G294	5034222	PIPE – LUBRICATING OIL DELIVERY	1		
G295	9157125	Olive	2		
G296	9156560	Nut – Gland	2		
G297	5034253	SUMP	1	} Fitted up to Engine No. 2622841 Fitted from Engine No. 2622842	
	5034666	Sump	1		
G298	5032503 s/d 5035485	Plug – Drain	1		
G299	5034260	Strainer – Oil	1		
G300	5034281	Spring – Strainer positioning	1		
G301	5034270	Gaskets – Side – Sump to block	1 pair		
G302	5034249	Gasket – Front	1		
G303	5032227 s/d 5035080	Gasket – Rear	1	} Fitted up to Engine No. 2623989 Fitted from Engine No. 2623990	
	5035080	Gasket – Rear	1		

ENGINE UNIT – DIESEL – PERKINS 4-203

Plate Ref.	Part Number	DESCRIPTION	No. per Veh.	REMARKS
G304	19505062	Setscrew – Sump to block	14	
G305	5032889	Washer	12	
G306	9077091	Washer	2	
G307	29805102	Stud – Sump to timing gear housing	2	
G308	9510050 s/d 79510051	Nut	2	
G309	5032889	Washer	2	
G310	5034216	DIPSTICK – OIL LEVEL	1	} Fitted up to Engine No. 2622841
G311	P.112601	Washer – Dipstick sealing	1	
	5034445	Dipstick – Assembly	1	} Fitted from Engine No. 2622842
	9120149	Washer – Dipstick sealing	1	
	5034670	Tube – Assembly – Dipstick	1	
	9156546	Nut – Tube retaining	1	
	75035878	Bracket – Tube support	1	} From KCB 302523
	75035879	Clip – Tube to bracket	1	
	19503041 s/d 79040093	Setscrew	1	
	5035510 s/d 79034056	Nut	1	} See Electrical Section
		SWITCH – OIL PRESSURE WARNING		
	5034268 s/d 5034765	PUMP – ASSEMBLY – WATER	1	} Fitted up to Engine No. 2610963
	5034765	Pump – Assembly (Dynamo condition)	1	
	5035260 s/d 75036104	Pump – Assembly (Alternator condition)	1	} Fitted from Engine No. 2610964 up to Engine No. 203U765
H312	5034259	Body	1	
H313	5032503 s/d 5035485	Plug	1	} Fitted from Engine No. 203U766
H314	5034218	Shaft – Drive	1	
H315	75036102	Shaft	1	} Except 75036104 pump For 75036104 pump
H316	9198004	Bearing	2	
H317	9204023	Spacer – Bearing	1	} †*
H318	5032161	Circlip – Bearing locating	1	
H319	5032603 s/d 5034825	Housing – Front seal	1	} †*
	5034825	Seal – Front	1	
H320	5033860	Seal – Front	1	} Fitted up to Engine No. 2610963 Fitted from Engine No. 2610964
H321	P.49387	Plate – Retaining seal	1	
	5034742	Seal – Rear	1	} Fitted up to Engine No. 2610963 Fitted from Engine No. 2610964
H322	5034256	Seal – Rear	1	
	75036103	Impellor	1	} †*
	75035929	Impellor	1	
H323	5034210	Counterface – Ceramic	1	} For 75036104 pump
	5035261	Pulley – Dynamo condition	1	
	5035261	Pulley – Alternator condition	1	} Fitted up to Engine No. 203U765 Fitted from Engine No. 203U766
H324	9573083	Nut – Nyloc – Pulley to shaft	1	
H325	9067059 s/d 9067110	Replaces 5045976 Washer	1	
H326	5034247	Gasket – Body to mounting plate	1	
H327	5034267	Plate – Mounting complete with studs	1	
H328	5034246	Gasket – Plate to front cover	1	
H329	19606122	Setscrew	1	
H330	19606061 s/d 5220699	Setscrew	3	
H331	5032890 s/d 79661243	Washer	4	
H332	5034763	Stud	3	} Early condition
	19606061 s/d 5220699	Setscrew	3	
H333	5032403 s/d 9510063	Nut	3	} Early condition
H334	5032890 s/d 79661243	Washer	3	
	5033442	Washer	3	} Late condition
H335	5032403 s/d 9510063	Nut – Water pump retaining	4	
H336	5032890 s/d 79661243	Washer	4	

ENGINE UNIT – DIESEL – PERKINS 4-203

Plate Ref.	Part Number	DESCRIPTION	No. per Veh.	REMARKS
H337	5034287	Hose – Pump to block connection	1	
H338	5032010 s/d 5032014	Clip – Hose	2	
		Hose – Pump to by-pass connection		See Cylinder head
		Belt – Pump and dynamo drive	1	See Engine Auxiliaries
H339	5034333 s/d 75035854	FAN	1	
H340	19505051 s/d 5220684	Setscrew – Fan to pump pulley	4	
	75035854	FAN	1	
	19505061	Setscrew – Fan to pump pulley	4	
H341	5032954	Tabwasher	2	
	5034165 s/d 5034866	KIT – WATER PUMP REPAIR – LESS BEARINGS	1	Includes items marked *
	5034866	Kit – Water pump repair – With bearing	1	Includes items marked †

ENGINE UNIT – DIESEL – PERKINS 4-203

Plate Ref.	Part Number	DESCRIPTION	No. per Veh.	REMARKS
J342	5039547 s/d 5042155	PUMP – FUEL INJECTION – ASSEMBLY	1	} Fitted up to Engine No. 2603731
J343	9003177	Screw – End plate retaining	4	
	9151503	Connection – Fuel inlet	1	
	9077044	Washer	1	
	5039046	Filter – Fuel inlet	1	
	5038394	Banjo	1	
	5038392 s/d 5042164	Bolt – Banjo	1	
	9077082	Washer – Banjo bolt	2	
	5038387 s/d 5042165	Screw – Vent	1	
	9156531	Union	1	
	9157108	Olive	1	
	9107081	Seal – Transfer pump	1	
	5038390 s/d 5042166	Screw – Vent head – Assembly – Body fitment	1	
	9077014	Washer	1	
J344	5038391	Banjo – Long – Injection pipes to pump	4	
J345	9159502	Bolt – Banjo	4	
	9077016	Washer – Banjo bolt	8	
	5038389	Screw – Vent head – Assembly – Vent cover	1	
	9077081	Washer	1	
	5038357	Lever – Shut-off	1	
	9067401	Washer – Lever to spindle	1	
	9663123	Washer	1	
	9510030 s/d 5220700	Nut	1	
J346		Arm – Throttle – See Accelerator Controls	1	
J347	5038358	Plate – Locking	1	
J348	19503032	Setscrew – Arm retaining	1	
	9067400	Washer	1	
	9663123	Washer	1	
	5038360	Gasket – Auto advance housing	1	
	9057070	Screw – Cap fixing	1	
	5042155	PUMP – FUEL INJECTION – ASSEMBLY	1	
	5041219	Spring – Piston retaining	1	
	5041220 s/d 5060128	Piston – Regulating	1	
	5042156	Sleeve – Regulating	1	
	5041319	Washer – Sleeve	1	
	5039046	Filter	1	
	5042265	Plug – Valve – Sleeve 1.5 mm.	A/R	
	5042157	Plug – Valve – Sleeve 1.75 mm. – One Vee groove	A/R	
	5042158	Plug – Valve – Sleeve 2 mm. – Two Vee grooves	A/R	
	5042159	Spring – Regulating	1	
	5041224	Spring – Sleeve – Retaining	1	
	9151503	Connection – Fuel inletNo longer supplied	1	
	9077044	Washer	1	
	5042160	Screw – Adjusting	1	
	5042161	Spring – Adjusting screw	1	
	5042162	Washer – Plug	1	
	5042163	Spring – Torsion	1	
	5038394	Banjo	1	
	9077082	Washer – Banjo bolt	2	
	5042164	Bolt – Banjo	1	
	5042165	Screw – Vent – Banjo bolt	1	
	5041320	Seal – Transfer pump	1	

ENGINE UNIT – DIESEL – PERKINS 4-203

Plate Ref.	Part Number	DESCRIPTION	No. per Veh.	REMARKS
		PUMP – FUEL INJECTION – ASSEMBLY – continued		
	5041321	Seal – Distributor head	1	} Fitted up to Engine No. 2603731
	5038391	Banjo – Long – Injection pipes to pump	4	
	9159502	Bolt – Banjo	4	
	9077016	Washer – Banjo bolt	8	
	5042166	Screw – Head vent – Assembly	1	
	5041374	Cover – Adjusting	1	
	5038359	Gasket – Cover	1	
	5041375	Screw – Cover fixing	2	
	9662123	Washer	2	
	5042167 s/d 5042557	Seal – Drive shaft	2	
	5042168	Gasket – Control housing	1	
	5042169	Screw – Maximum adjusting	1	
	5042170	Seal – Screw	1	
	5042171	Plug – Adjusting screw	1	
	5042172	Screw – Idling adjustment	1	
	5042170	Seal – Screw	1	
	5042173	Spring – Idling screw	1	
	5042174	Seal – Pinion	2	
	5038361	Arm – Throttle	1	
	5038358	Plate – Locking	1	
	9067400	Washer	1	
	19503032	Setscrew	1	
	9663123	Washer	1	
	5041327	Seal – Shut-off shaft	1	
	5038395	Lever – Shut-off	1	
	5220700	Nut – Lever retaining	1	
	9663123	Washer	1	
	9067401	Washer	1	
	5038986	Gasket – Auto advance housing	1	
	5041333	Ring – Sealing – Piston plug	1	
	5041333	Ring – Sealing – Piston cap	1	
	5041235	Nut – Cap stud	1	
	5041332	Washer	1	
	9057070	Screw – Piston cap	1	
	5041241	Shim .2 mm.	A/R	
	5041242	Shim .5 mm.	A/R	
	5041243	Shim 1.0 mm.	A/R	
	5041244	Shim 2.0 mm.	A/R	
	5041336	Ring – Stud sealing	2	
	5041337	Washer	2	

ENGINE UNIT – DIESEL – PERKINS 4-203

Plate Ref.	Part Number	DESCRIPTION	No. per Veh.	REMARKS
	5042705 s/d 75061090	PUMP – FUEL INJECTION – ASSEMBLY	1	Fitted from Engine No. 2603732 up to Engine No. 2612999
	5043560 s/d 75061090	PUMP – FUEL INJECTION – ASSEMBLY	1	Fitted from Engine No. 2613000 up to Engine No. 203U12891
	75061090	PUMP – FUEL INJECTION – ASSEMBLY	1	Fitted from Engine No. 203U12892
	5041219	Spring – Piston regulating	1	
	5041220 s/d 5060128	Piston	1	For Pump 5043560
	5060128	Piston	1	For Pump 75061090
	5042156	Sleeve	1	
	5041319	Washer – Sleeve	1	
	5039046	Filter	1	
	5042157	Plug – Valve – Sleeve 1.75 mm. – One Vee groove	A/R	
	5042158	Plug – Valve – Sleeve 2.00 mm. – Two Vee grooves	A/R	
	5042159	Spring – Regulating	1	
	5041224	Spring – Sleeve – Retaining	1	
	9151503	Connection – Fuel inlet	1	No longer supplied
	9077044	Washer	1	
	5041320	Seal – Transfer pump	1	
	5041321	Seal – Distributor head	1	
	5042166	Screw – Head vent – Assembly	1	
	5042165	Screw – Vent	1	
	5041374	Cover – Adjusting	1	
	5038359	Gasket – Cover	1	For Pump 5043560
	5060129	Gasket – Cover	1	For Pump 75061090
	5041375	Screw – Cover fixing	2	
	5042303	Washer	2	
	5042167 s/d 5042557	Seal – Drive shaft	2	For Pump 5043560
	5060130	Seal – Drive shaft	2	For Pump 75061090
	5042294	Gasket – Housing	1	
	9077076	Washer – Vent screw	1	
	5042295 s/d 5060104	Shaft – Throttle	1	For Pump 5042705
	5044638	Shaft – Throttle	1	For Pumps 5043560 and 75061090
	5042174	Seal – Shaft	1	
	5042297	Plate – Vernier – Locking	1	
	5042298	Screw – Plate locking	1	
	5042314	Washer	1	
	5042304	Screw – Idling adjusting	1	
	5042305	Screw – Maximum adjusting	1	
	5041331	Nut	2	
	5042299	Shaft – Shut-off	1	
	5042300	Seal – Shut-off shaft	1	
	5042301	Lever – Shut-off	1	
	5032303 s/d 5060252	Washer	1	
	5042310 s/d 5060104	Plate – Stop	1	For Pump 5042705
	5038986	Gasket – Auto advance housing	1	
	5041333	Ring – Piston plug sealing	1	
	5041333	Ring – Piston cap sealing	1	
	5041235	Nut – Cap – Housing stud	1	
	5041332	Washer	1	
	9057070	Screw – Spring cap	1	

ENGINE UNIT – DIESEL – PERKINS 4·203

Plate Ref.	Part Number	DESCRIPTION	No. per Veh.	REMARKS
		PUMP – FUEL INJECTION – ASSEMBLY – continued		
	5041241	Shim ·2 mm. – Spring cap	A/R	
	5041242	Shim ·5 mm.	A/R	
	5041243	Shim 1·0 mm.	A/R	
	5041244	Shim 2·0 mm.	A/R	
	5041336	Ring – Sealing – Head locating stud	2	
	5041337	Washer	2	
	5038391	Banjo – Long – Injector pipes to pump	4	For Pump 5042705
	5043909	Banjo – Long	4	For Pumps 5043560 and 75061090
	9159502	Bolt – Banjo	4	
	9077016	Washer – Banjo bolt	8	
	5038394	Banjo	1	
	5042164	Bolt – Banjo	1	
	9077082	Washer – Banjo bolt	2	
J349	5033525	Plug – Fuel pump	1	
J350	5033286	Gasket – Pump to carrier	1	
J351	5034179	CARRIER – PUMP AND DRIVE GEAR	1	
J352	9101800	Plug – Carrier	1	
J353	5034186	Gasket	1	
J354	29805172	Stud – Bottom holes – Carrier to timing gear housing	2	
J355	9510050 s/d 5221350	Nut – Pump and carrier retaining	2	
J356	5032889	Washer	2	
J357	5032886	Washer	2	
J358	9215548	Capscrew	1	No longer supplied
J359	5032889	Washer	1	
J360	5032886	Washer	1	
J361	5034178	HUB – FUEL PUMP DRIVE GEAR	1	
J362	9205027	Circlip – Hub retaining	1	
J363	5034177	Gear – Fuel pump	1	
J364	5034337	Adaptor – Fuel pump gear	1	
J365	9207205	Circlip – Adaptor retaining	1	
J366	5032683	Setscrew – Gear and adaptor to hub	3	
J367	5032889	Washer	3	
	5034157	PIPES – SET – PUMP TO INJECTORS		No longer supplied. Order individual pipes as required.
J368	5034227	Pipe – Fuel injection – No. 1 cylinder	1	} Fitted up to Engine No. 2603721
J369	5034226	Pipe – Fuel injection – No. 2 cylinder	1	
J370	5034228	Pipe – Fuel injection – No. 3 cylinder	1	
J371	5034225	Pipe – Fuel injection – No. 4 cylinder	1	
	5034673	Pipe – Fuel injection – No. 1 cylinder	1	} Fitted from Engine No. 2603722
	5034674	Pipe – Fuel injection – No. 2 cylinder	1	
	5034675	Pipe – Fuel injection – No. 3 cylinder	1	
	5034676	Pipe – Fuel injection – No. 4 cylinder	1	
J372	5032019	Clip – Clamping Nos. 2, 3 and 4 pipes	2	
	5033264	Clip – Clamping Nos. 1 and 2 pipes	2	
J373	9050141	Bolt – Pipe clips	3	No longer supplied
J374	5033791	Nut	3	

ENGINE UNIT – DIESEL – PERKINS 4-203

Plate Ref.	Part Number	DESCRIPTION	No. per Veh.	REMARKS
J375	5039538 s/d 5060170	INJECTOR – ASSEMBLY	4	Not supplied
J376	5033243	Nozzle	4	
J376	5039537 s/d 5060171	Holder – Assembly	4	
	5039539	Nut – Cap – Nozzle retaining	4	
	5039540	Body	4	
	5032741	Spindle	4	
	5039541	Spring	4	
	9067484	Spring – Cap nut	4	
	5039542	Washer – Cap nut spring	4	
	5039549	Locknut	4	
	5039032	Nut – Cap – Nozzle holder	4	
	9146180	Gasket – Cap nut	4	
	9146181	Dowel 2.92 mm. – Nozzle to holder	A/R	
	9146182	Dowel 2.93 mm.	A/R	
	9146182	Dowel 2.94 mm.	A/R	
J377	5032895	Washer – Injector seating	4	
J378	5034280	Tabwasher – Injector identification	4	
	5034635	Stud – Injector to block	8	
J379	5032403 s/d 9510063	Nut	8	
J380	9082038	Washer	8	
J381	5033657	Pipe – Leak-off – Nos. 1 and 2 – Nos. 3 and 4	2	
J382	5034004	Pipe – Leak-off – Nos. 2 and 3	1	
J383	5033507	Banjo – Injector leak-off	3	
J384	9159529	Bolt – Banjo	3	
	9077013	Washer – Banjo bolt	8	
J385	9159022	Banjo – Leak-off – No. 1 injector	1	
J386	9159609	Union – Banjo – Leak-off – No. 4 injector	1	
J387	5032412	Nut – Fuel return pipe	1	
J388	5032356	Olive	1	
	5033507	Banjo – Leak-off	1	
	9159529	Bolt – Banjo	1	
	5039550	PUMP – FUEL OIL LIFT – ASSEMBLY – See Note 2		
		Page AE20	1	
	5039551	Cover – Assembly	*	
	5042234	Cover and valves – Assembly	†	
K389		Cover	Not supplied*	
	5043673	Cover	†	
K390	K.19265 s/d 5031037	Gasket – Valve	*	
	5041522 s/d K.29656	Gasket – Valve	†	
K391	K.19263 s/d 5043668	Valve – Inlet and outlet	2	
K392	K.19264	Plate – Valve retaining	*	
K393	5220202 s/d 9050095	Screw – Plate to housing	2	
K394	K.1566	Bowl	1	
K395	K.25579	Gasket – Bowl to housing	1	
K396	K.2689	Stirrup	1	
K397	K.1567	Gauze	1	
K398	5220204 s/d 5058613	Screw – Housing to body	6	
K399	9660123	Washer	6	
K400	K.21471 s/d 5059470	Diaphragm – Assembly	*	
	5040570	Diaphragm – Assembly	†	
K401	5031041	Spring – Diaphragm return	1	

ENGINE UNIT – DIESEL – PERKINS 4-203

Plate Ref.	Part Number	DESCRIPTION	No. per Veh.	REMARKS
		PUMP – FUEL OIL LIFT – ASSEMBLY – continued		
K402	5031032	Body – Assembly – Complete with priming lever	1	Fitted up to Engine No. 2609349 * and † – See Note 3 Page AE20
K403	5031040	Seal – Diaphragm spindle	1	
K404	5031043	Retainer – Seal	1	
	5031029	Lever – Priming – Set	1	
	K.18380	Spring – Lever return	1	
K405	K.10481	Lever – Diaphragm operating	1	
K406	5039552	Arm – Rocker	1	
K407	K.9039	Spring – Rocker arm	1	
K408	5031039	Pin	1	
K409	9067213	Washer	2	
K410	5031044	Retainer	2	
K411	5039056 s/d 5035198	Gasket – Pump to block	1	
K412	29505082	Stud	2	
K413	9029200	Nut	2	
K414	5032889	Washer	2	
	5042232	PUMP – FUEL OIL LIFT – ASSEMBLY – See Note 2 ..		Fitted from Engine No. 2609350 * and † – See Note 3 Page AE20
		Page AE20	1	
	5042234	Cover – Assembly	1	
		Cover	Not supplied	
	5041522 s/d K.29656	Gasket – Valves	2	
	K.19263 s/d 5043668	Valve – Inlet and outlet	* 2	
	5043668	Valve – Inlet and outlet	† 2	
	K.1566	Bowl	1	
	K.25579	Gasket – Bowl to housing	1	
	K.2689	Stirrup	1	
	K.1567	Gauze	1	
	5220204 s/d 5058613	Screw – Housing to body	6	
	9660123	Washer	6	
	5040570	Diaphragm – Assembly	1	
	5031041	Spring – Diaphragm return	1	
	5042233	Body – Assembly – Complete with priming lever	1	
	5031040	Seal – Diaphragm spindle	1	
	5031043	Retainer – Seal	1	
	5031029	Lever – Priming – Set	1	
	K.18380	Spring – Lever return	1	
	5031038	Lever – Diaphragm operating	1	
	5039552	Arm – Rocker	1	
	K.9039	Spring – Rocker arm	1	
	5031039	Pin	1	
	9067213	Washer	2	
	5031044	Retainer	2	
	5039056 s/d 5035198	Gasket – Pump to block	1	
	5034690	Stud	2	
	9029200	Nut	2	
	5032889	Washer	2	
		PIPE – LIFT PUMP TO FILTER		Fitted up to Engine No. 203U6596
K415	5034229	Nut	1	
K416	9156530	Olive	1	
K417	9157106 s/d 5220717	Nut	1	
K418	9156530	Nut	1	
K419	9157106 s/d 5220717	Olive	1	

ENGINE UNIT – DIESEL – PERKINS 4-203

Plate Ref.	Part Number	DESCRIPTION	No. per Veh.	REMARKS
	5035451	Pipe – Lift pump to filter	1	} Fitted from Engine No. 203U6597 up to Engine No. 203U9687
	5035379	Nut	2	
	5035380	Olive	2	
	5035505	Pipe – Lift pump to filter	1	} Fitted from Engine No. 203U9688 – See also Note 4 Page AE20
	5035379	Nut	1	
	5035380	Olive	1	
	5035381	Nut	1	
	5035382	Olive	1	
	5034712	Banjo – Pipe to filter	1	
	5034713	Bolt – Banjo	1	
	5032909	Washer – Banjo bolt	2	
	5038159	FILTER – FUEL OIL – ASSEMBLY	1	} Included in Element Pack 5037896
K420	5038161	Cover – Assembly	1	
K421	9803046	Plug	1	
	9077013	Gasket – Plug	1	
K422	9122173	Gasket – Shell to cover	1	
K423	9122149	Seal – Element top	1	
K424	9000105	Bolt – Shell to cover	1	
	9077021	Washer	1	
K425	5037901	Shell – Assembly	1	
K426	5037894	Spring – Element retaining	1	
K427	9067425	Washer	1	
K428	5037912	Gasket	1	
K429	5037896	Element – Pack	1	
	5038160	Valve – Filter relief	1	
	K.30048	Gasket – Valve	1	
	5038936	Valve – Non-return	1	} Fitted up to Engine No. 203U9687
	9077019	Gasket – Valve seating	1	
	5035503	Valve – Non-return – Return pipe to filter	1	
	9077069	Gasket – Valve	1	} Fitted from Engine No. 203U9688
K430	5034234	Bracket – Filter support	1	
K431	29900381	Stud – Bracket to block	2	} Fitted up to Engine No. 203U3093
K432	5032403 s/d 9510063	Nut	2	
K433	5032890	Washer	2	
K434	19506071	Setscrew – Filter to bracket	2	
K435	9082038	Washer	1	
K436	5032890	Washer	2	
J437	5034239	Bracket – Anchor – Stop control spring	1	
	5035123	Bracket – Anchor – Stop control spring	1	
	5035121	Jaw – Stop control	1	
	5045470	Pin – Clevis	1	
J438	5034238 s/d 5034689	Bracket – Stop control cable	1	} Fitted from Engine No. 203U3094
	5034689	Bracket	1	
	9179405	Clip – Cable clamping	1	
	19503041	Setscrew	1	
	5032405	Nut No longer supplied	1	
	9660123	Washer	1	
	5034274	Nipple – Stop control cable	1	
J439	5034275	Spring	1	
	5032478	Washer	1	
	5034282	Pin – Lever – Stop control	1	
	9067402	Washer	1	} Fitted up to Engine No. 2604757

ENGINE UNIT – DIESEL – PERKINS 4-203

Plate Ref.	Part Number	DESCRIPTION	No. per Veh.	REMARKS
	5034502	Spring – Stop control lever	1	Fitted from Engine No. 2604758
K440	5034223	PIPE – FILTER TO INJECTION PUMP	1	Fitted up to Engine No. 2603731
	5035284	Pipe – Filter to injection pump	1	Fitted from Engine No. 2603732 up to Engine No. 203U6596
K441	9151240	Union – Pipe to filter	1	
K442	5032947 s/d P.102770	Washer	1	
K443	9156530	Nut	2	
K444	9157106 s/d 5220717	Olive	2	
	5035452	Pipe – Filter to injection pump	1	} Fitted from Engine No. 203U6597 up to Engine No. 203U9687
	5035379	Nut	2	
	5035380	Olive	2	
	5035506	Pipe – Filter to injection pump	1	} Fitted from Engine No. 203U9688 – See also Note 4
	5035379	Nut	2	
	5035380	Olive	2	
K445	5034224	PIPE – RETURN – INJECTION PUMP TO FILTER	1	Fitted up to Engine No. 2603731
	5035283	Pipe – Return – Injection pump to filter	1	Fitted from Engine No. 2603732 up to Engine No. 203U6596
K446	9151240	Union – Return pipe to filter	1	
K447	9067229	Washer	1	
K448	9156530	Nut	2	
K449	9157106 s/d 5220717	Olive	2	
	5035442	Pipe – Return – Injection pump to filter	1	} Fitted from Engine No. 203U6597 up to Engine No. 203U9687
	5035379	Nut	2	
	5035380	Olive	2	
	5035507	Pipe – Return – Injection pump to filter	1	} Fitted from Engine No. 203U9688 See also Note 4
	5035379	Nut	2	
	5035380	Olive	2	
K450	5034191	PIPE – INJECTOR LEAK-OFF TO FILTER NON-RETURN VALVE	1	
K451	9159013	Banjo – Pipe to valve	1	
K452	9159530	Bolt – Banjo	1	
K453	9077019	Washer	3	
K454	5033664 s/d 5038936	Valve – Non-return	1	
<p>NOTE 1. Fuel Injection Pumps were fitted with reversible governor housing, from Engine No. 2603732. Chassis Nos. KAB 3023 – 004247 KAB 4023 – 002216 KAB 4035 – 000453 KAB 6035 – 000407. Check also Accelerator Controls Section.</p>				
<p>NOTE 2. Lift Pump Assemblies are interchangeable if latest type studs are used.</p>				
<p>NOTE 3. Items marked * are Early condition with valves retained by plate and screws – Items marked † are Late condition with valves ‘staked’ in position.</p>				
<p>NOTE 4. Pipes with flared ends and fitted with rubber olives are Late condition. Check type before ordering.</p>				

ENGINE UNIT – DIESEL – PERKINS 4-203

Plate Ref.	Part Number	DESCRIPTION	No. per Veh.	REMARKS
	5034154 s/d 5034625	EXHAUSTER – ASSEMBLY SEE NOTE	1	Fitted up to Engine No. 2608550
	5034625	Exhauster – Assembly	1	Fitted from Engine No. 2608551
	5034202	Body	1	
	5034203	Cover – Front end	1	
	9059016	Grubscrew – Blanking oil gallery	1	
	5034682	Gasket – Front cover to body	1	
	5200187 s/d 5200480	Dowel	2	
	9215540	Bolt	4	
	5034207	Cover – Complete with bush – Rear end	1	Fitted up to Engine No. 2608550
	5034626	Cover – Complete with bush – Rear end	1	Fitted from Engine No. 2608551
	5034041	Gasket – Rear cover to body	1	
	5200187 s/d 5200480	Dowel	2	
	9215522	Bolt	4	Fitted up to Engine No. 2608550
	19504061 s/d 5220695	Setscrew	4	Fitted from
	5032888	Washer	4	Engine No. 2608551
	9194089	Bearing – Front end	1	
	9102068	Seal – Bearing	1	
	9204026	Circlip	1	
	5034190	Sleeve – Front end	1	
	5034204	Rotor and shaft – Assembly	1	
	5034039	Blade – Rotor	4	
	9803191	Plug – Shaft blanking	1	
	5034206	Plate – Inner – Oil seal retaining	1	
	5034205	Plate – Outer	1	
	5034248	Gasket – Exhauster to timing gear housing	1	
	29805122	Stud	4	} Alternatives
	5221350 s/d 79510051	Nut	4	
	5032889	Washer	4	
	19605051	Setscrew	4	} Alternatives
	5032893	Washer	4	
	5034237 s/d 5034488	Plate – Thrust	2	
	19504041 s/d 5221352	Setscrew – Thrust plate to exhauster	4	
	5032888	Washer	4	
	5034212	Gear – Drive	1	
	5034231	PIPE – EXHAUSTER OIL FEED – ASSEMBLY	1	} Fitted up to Engine No. 2608550 – See Note
	9159568	Bolt – Banjo	2	
	5032913 s/d 5032902	Washer	4	
	5034627	Pipe – Exhauster oil feed	1	} Fitted from Engine No. 2608551
	9159568	Bolt – Banjo	1	
	5032913 s/d 5032902	Washer	1	
	5034153	Elbow – Complete with nut and olive	1	
		NOTE Early condition Exhauster Assembly 5034154 is superseded by 5034625 (Late condition). Late condition Pipe and Fixings must also be used.		

ENGINE AUXILIARIES – DIESEL – PERKINS 4-203

Plate Ref.	Part Number	DESCRIPTION	No. per Veh.	REMARKS
	5034162	GASKETS – COMPLETE ENGINE OVERHAUL SET		No longer supplied
	5034161 s/d 5034864	Gaskets – Removal of head set	1	
	5034864	Gaskets – Top overhaul set	1	
	5034865	Gaskets – Bottom overhaul set	1	
	5034160	Gaskets – Removal of sump set		No longer supplied
		NOTE. Use 5034864 and 5034865 to replace 5034162, and 5034865 to replace 5034160.		
	3050682	CLEANER – AIR	1	
L455	5039246	Element and elbow – Assembly	1	
L456	K.16818	Gasket	1	
L457	5039247	Container – Oil	1	
L458	3050678	Bracket – Air cleaner mounting	1	
L459	3050681	Strap – Front – Cleaner to bracket clamping	1	
L460	19505082	Setscrew	2	
	5221350 s/d 79510051	Nut	2	
	9660203	Washer	2	
L461	19504052 s/d 79040105	Setscrew – Bracket to dash	4	
	9660163	Washer	4	
L462	3050669	Hose – Air cleaner to inlet manifold	1	
L463	9782471	Clip – Hose to cleaner	1	
L464	9782331	Clip – Hose to manifold	1	
		STARTER – See Electrical Section		SEE ELECTRICAL SECTION
	19406202	Bolt – Starter to flywheel housing	3	
	9660243	Washer	3	
#		ALTERNATOR – 10 AC		Fitted from Engine No. 203U794C onwards – Chassis Nos. KAB 30/40/6035-011922 CKD – KAB 30/40/6035-700974 onwards
		VENTILATOR – ALTERNATOR } See Electrical Section		
	5035066	Pulley – Alternator	1	
	5035069 s/d 1802518	Belt – Alternator and water pump drive See Note 1 Page AE25	1	
	9226538 s/d 1802518	Belt See Note 2 Page AE25	1	
	1802518	Belt See Note 3 Page AE25	1	
	19105111	Bolt – Alternator to support bracket	1	
	19505082	Setscrew	1	
	5034783	Thimble	2	
	9661203	Washer	2	
	9067027	Washer	2	
	5221350 s/d 79510051	Nut	2	
	5035153	Bracket – Alternator support	1	
	5035068	Strap – Bracket	1	
	5035154	Plate – Bracket	1	
	19605052	Setscrew – Adjusting link to alternator	1	
	9067027	Washer	1	
	5034028	Link – Alternator adjusting See Note 1 Page AE25	1	
	5035118	Link See Notes 2 and 3 Page AE25	1	
	19505062	Setscrew – Adjusting link to bracket	1	
	5032889	Washer	1	

ENGINE AUXILIARIES – DIESEL – PERKINS 4-203

Plate Ref.	Part Number	DESCRIPTION	No. per Veh.	REMARKS
** ** ** ** ** ** ** ** ** ** ** ** ** **		ALTERNATOR – 17ACR		} See Electrical section
		VENTILATOR – ALTERNATOR		
	73153423	Pulley	1	
	1802518	Belt	1	
	79040018	Bolt – Alternator to support bracket – Rear	1	
	79040013	Bolt – Alternator to support bracket – Front	1	
	9067027	Washer	2	
	79574053	Nut	2	
	73155393	Bracket – Alternator support	1	
	73153400	Bracket assembly – Link support	1	
	73152999	Plate – Mounting	1	
	77800015	Setscrew – Link to Alternator	1	
	77800335	Washer	1	
	73153399	Link – Alternator adjusting	1	
79040123	Setscrew – Link to bracket	1		
9661203	Washer	1		

ENGINE AUXILIARIES – DIESEL – PERKINS 4-203

Plate Ref.	Part Number	DESCRIPTION	No. per Veh.	REMARKS
		DYNAMO – See Electrical Section		Fitted up to Engine No. 203U793C
K465	5034211	Pulley – Dynamo	1	Fitted up to Engine No. 2613895
K466	5031873	Belt – Dynamo and water pump drive	1	
K467	5032684	Bolt – Dynamo to bracket – Front	1	
K468	19505121	Setscrew – Rear	1	
	9510050 s/d 5221350	Nut – Front bolt	1	
K469	9520050	Locknut – Rear bolt	2	
	5032889	Washer	2	
	5032886	Washer	2	
K470	5034266	Bracket – Dynamo support	1	
L471	19505062	Setscrew – Bracket to block	1	
	19605061	Setscrew – Bracket to timing gear housing	2	
L472	5032889	Washer	3	
L473	5032886	Washer	3	
	1800568	Pulley – Dynamo	1	Fitted from Engine No. 2613896 up to Engine No. 203U793C
	1800570	Belt – Dynamo and water pump drive	1	
	19506091 s/d 5220687	Setscrew – Dynamo to bracket	2	
	9067405	Washer	2	
	9510050 s/d 5221350	Washer	2	
	5034784	Bracket – Dynamo support	1	
	19505062	Setscrew – Bracket to block	1	
	19605082	Setscrew – Bracket to timing gear housing	1	
	5032889	Washer	2	
	5032886	Washer	2	
L474	5034240	Lever – Dynamo adjusting	1	
L475	29900406	Stud – Lever to front cover/timing gear housing	1	
L476	9510050 s/d 5221350	Nut	1	
L477	5032889	Washer	1	
L478	3021282 s/d 9003188	Setscrew – Lever to dynamo	1	
L479	5032889	Washer	1	
	5034633	Lever – Dynamo adjusting	1	Fitted from Engine No. 2608885 up to Engine No. 2613895
	29900415	Stud – Lever to front cover/timing gear housing	1	
	9510063	Nut	1	
	9661241 s/d 5221254	Washer	1	
	3021282 s/d 9003188	Setscrew – Lever to dynamo	1	
	5032889	Washer	1	
	5034786	Lever – Dynamo adjusting	1	Fitted from Engine No. 2613896 up to Engine No. 203U793C
	19506061 s/d 5220686	Setscrew – Lever to support plate	1	
	9661241 s/d 5221254	Washer	1	
	5034785	Plate – Lever support	1	
	19606061 s/d 5220699	Setscrew – Plate to front cover/timing gear housing	1	
	9661241 s/d 5221254	Washer	1	
	3021282 s/d 9003188	Setscrew – Lever to dynamo	1	
	5032889	Washer	1	

ENGINE AUXILIARIES – DIESEL – PERKINS 4-203

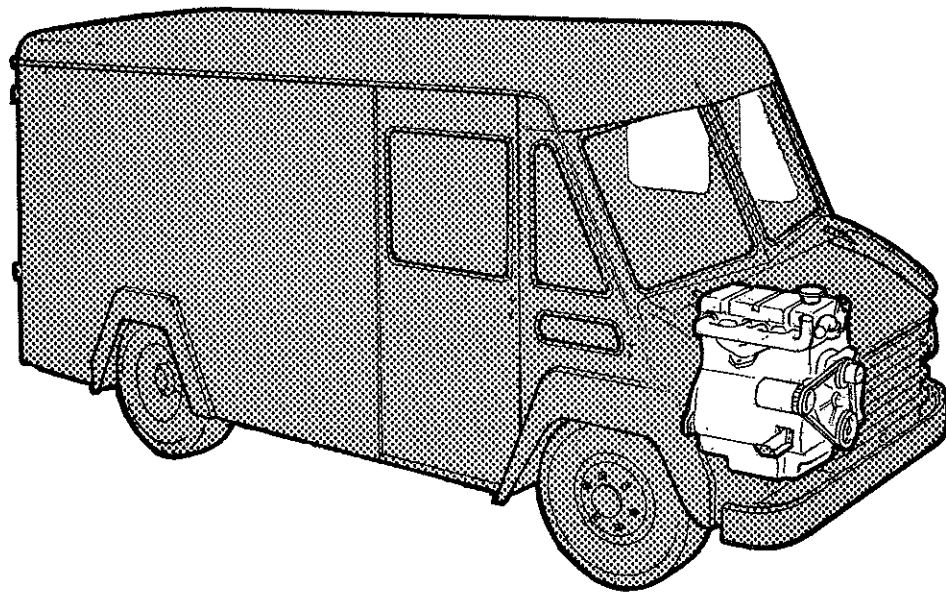
Plate Ref.	Part Number	DESCRIPTION	No. per Veh.	REMARKS
	1800568	Pulley – Dynamo	1	} 3023 Ambulance
	1800570	Belt – Dynamo and water pump drive	1	
	19105091	Bolt – Dynamo to bracket	2	
	9510051 s/d 5221350	Nut	2	
	9067405	Washer	2	
	9661203	Washer	2	
	1800567	Bracket – Dynamo support	1	
	5220692	Setscrew – Bracket to block	1	
	19605071	Setscrew – Bracket to timing gear housing	2	
	9661203	Washer	3	
	9067231	Washer	3	
	5034684	Lever – Dynamo adjusting	1	
	3021281	Stud – Lever to front cover/timing gear housing	3	
	9510061 s/d 5221351	Nut	1	
	9661241 s/d 5221254	Washer	1	
	3021282 s/d 9003188	Setscrew – Lever to dynamo	1	
	9067405	Washer	1	
L480	3049461 s/d W.43712	BRACKET – FRONT R.H. – ENGINE SUPPORT	1	
	3055959	Bracket – Front R.H.	1	See Note 5 Page AE25
L481	3049460 s/d W.43711	Bracket – Front L.H.	1	
L482	29708222	Stud – Bracket to engine	8	See Note 4 Page AE25
L483	9660323	Washer	8	
L484	9510080	Nut	8	
	5034783	Thimble – R.H. – Bracket to engine	2	} See Note 5 Page AE25
	5032870	Thimble – L.H.	2	
	29508242	Stud	4	
	29508222	Stud	4	
	5032870	Thimble – Bracket to engine	4	} See Note 6 Page AE25
	29508222	Stud	8	
L485	3049462	Support – Engine – Front	1	
L486	19106112	Bolt – Support to R.H. and L.H. brackets	6	
L487	9551063 s/d 5220731	Nut	6	
L488	3017662	Mounting – Flexible – Engine front	1	
L489	19506061 s/d 5220686	Setscrew – Mounting to support and plate	4	
L490	9660243	Washer	4	
L491	9510060 s/d 5221351	Nut	4	
L492	3049464	Plate – Front mounting to crossmember	1	
	19506061 s/d 5220686	Setscrew	4	
	9510060 s/d 5221351	Nut	4	
	9660243	Washer	4	

ENGINE AUXILIARIES – DIESEL – PERKINS 4-203

Plate Ref.	Part Number	DESCRIPTION	No. per Veh.	REMARKS
	3049473 s/d 3058320	BRACKET – REAR R.H. – ENGINE SUPPORT	1	
L493	3049470 s/d 3058321	Bracket – Rear L.H.	1	
L494	19607092	Setscrew – Bracket to housing	8	
L495	9660283	Washer	8	
L496	3049454	Mounting – Flexible – Engine rear	2	
L497	W.12872	Washer – Overload	2	
L498	W.12993	Washer – Rebound	2	
L499	19110312	Bolt – Engine mounting	2	
L500	9551103 s/d 9571104	Nut – Locking	2	
L501	19506061 s/d 5220686	Setscrew – Flexible mounting to engine brackets	8	
L502	9510060 s/d 5221351	Nut	8	
L503	9660243	Washer	8	
L504	3020559	TIE ROD – ENGINE	1	
L505	P.56418	Grommet – Assembly – Tie rod to support	1	
L506	9520050	Locknut	2	
L507	9510051 s/d 5221350	Nut	2	
L508	9067031	Washer	2	
L509	3018320	Support – Tie rod to crossmember	1	
	19506071	Setscrew	2	
	9660243	Washer	2	
	9510060 s/d 5221351	Nut	2	
	19406121	Bolt – Tie rod to clutch housing	1	
	9067039	Washer	1	
	9664243	Washer	1	
	3020397 s/d 3020560	TIE ROD – ASSEMBLY	1	
	3020394	Bracket	1	
	19506081 s/d 5220694	Setscrew – Tie rod to bracket	1	} 6035 models – L.H.D.
	9510061 s/d 5221351	Nut	1	
	9664243	Washer	1	
		NOTE 1. Fitted up to Engine No. 203U8160.		
		NOTE 2. Fitted from Engine No. 203U8161.		
		NOTE 3. It is essential that 5035118 Adjusting link is fitted with 1802518 belt.		
		NOTE 4. Fitted up to Engine No. 2613766.		
		NOTE 5. Fitted from Engine No. 2613767 up to 203U793C. Chassis Nos. : KAB 3023-004665 KAB 4035-000521 KAB 4023-002370 KAB 6035-000432 up to KAB 30/40/60-011921 CKD KAB 30/40/60-700793.		
		NOTE 6. Fitted from Engine No. 203U794C onwards. Chassis Nos. : KAB 30/40/60-011922 onwards CKD KAB 30/40/60-700794 onwards		

SECTION AF

ENGINE UNIT AND AUXILIARIES DIESEL — PERKINS 4-236



ENGINE UNIT AND AUXILIARIES – DIESEL – PERKINS 4-236

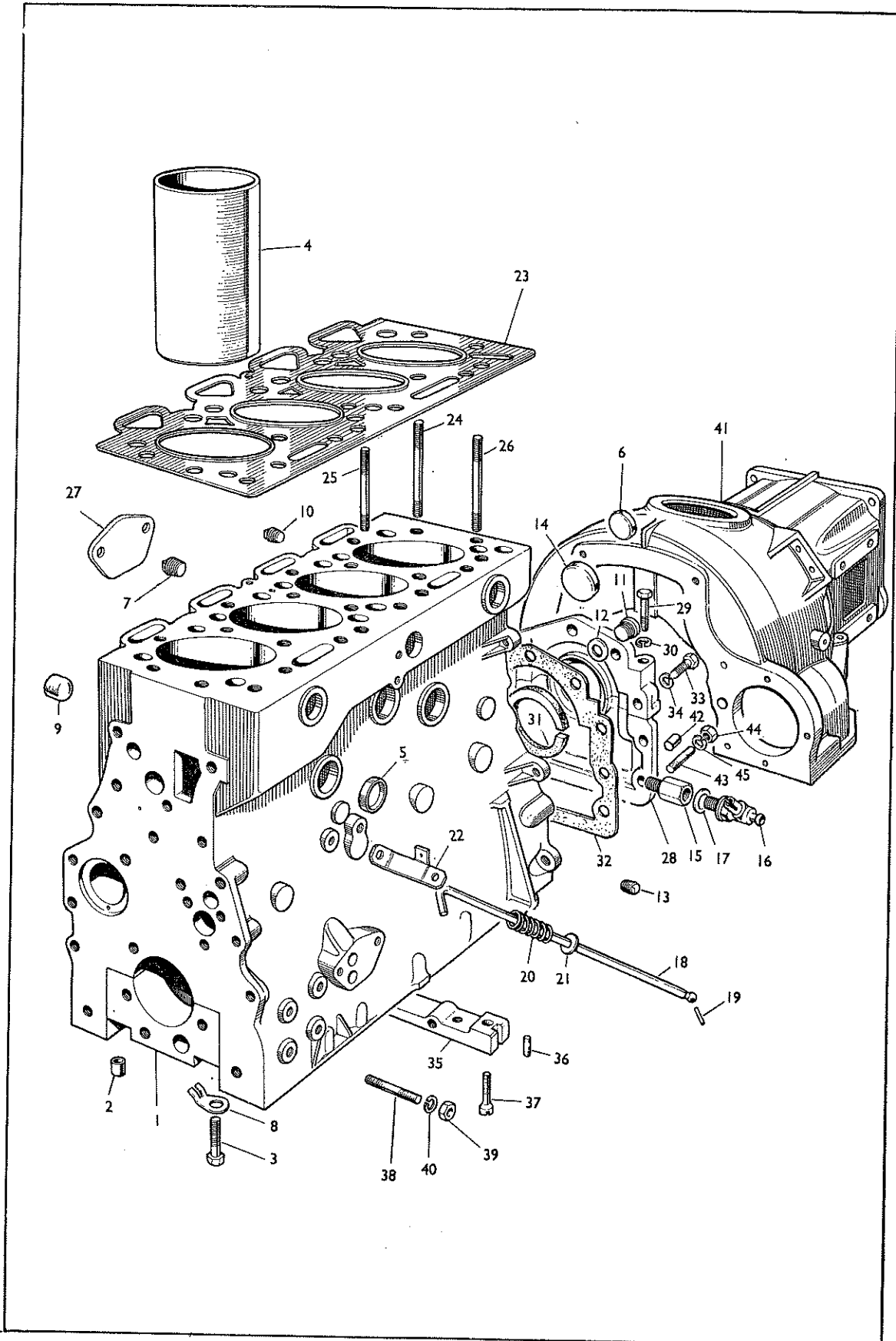


PLATE A – SECTION AF

ENGINE UNIT AND AUXILIARIES - DIESEL - PERKINS 4-236

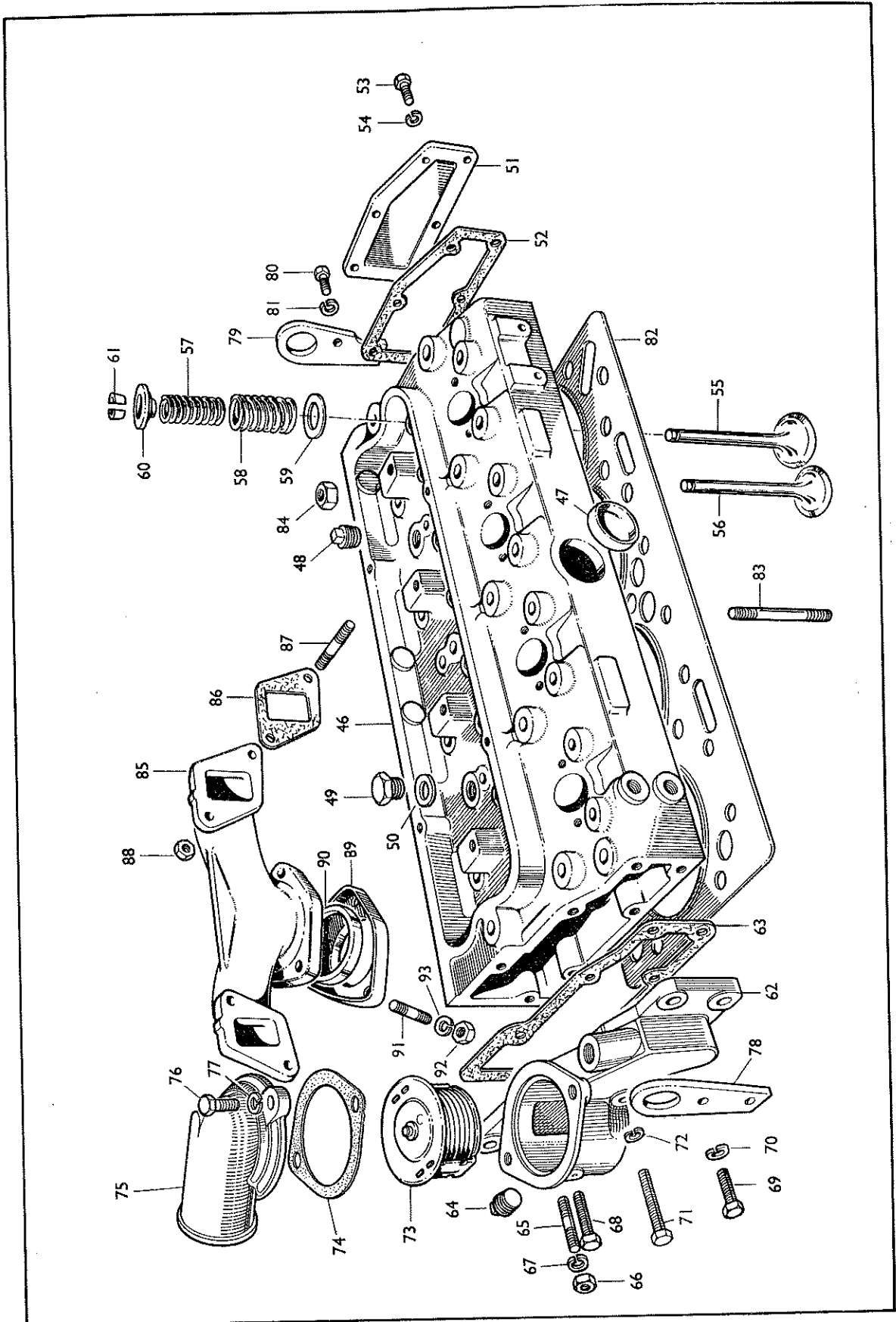


PLATE B - SECTION AF

ENGINE UNIT AND AUXILIARIES - DIESEL - PERKINS 4-236

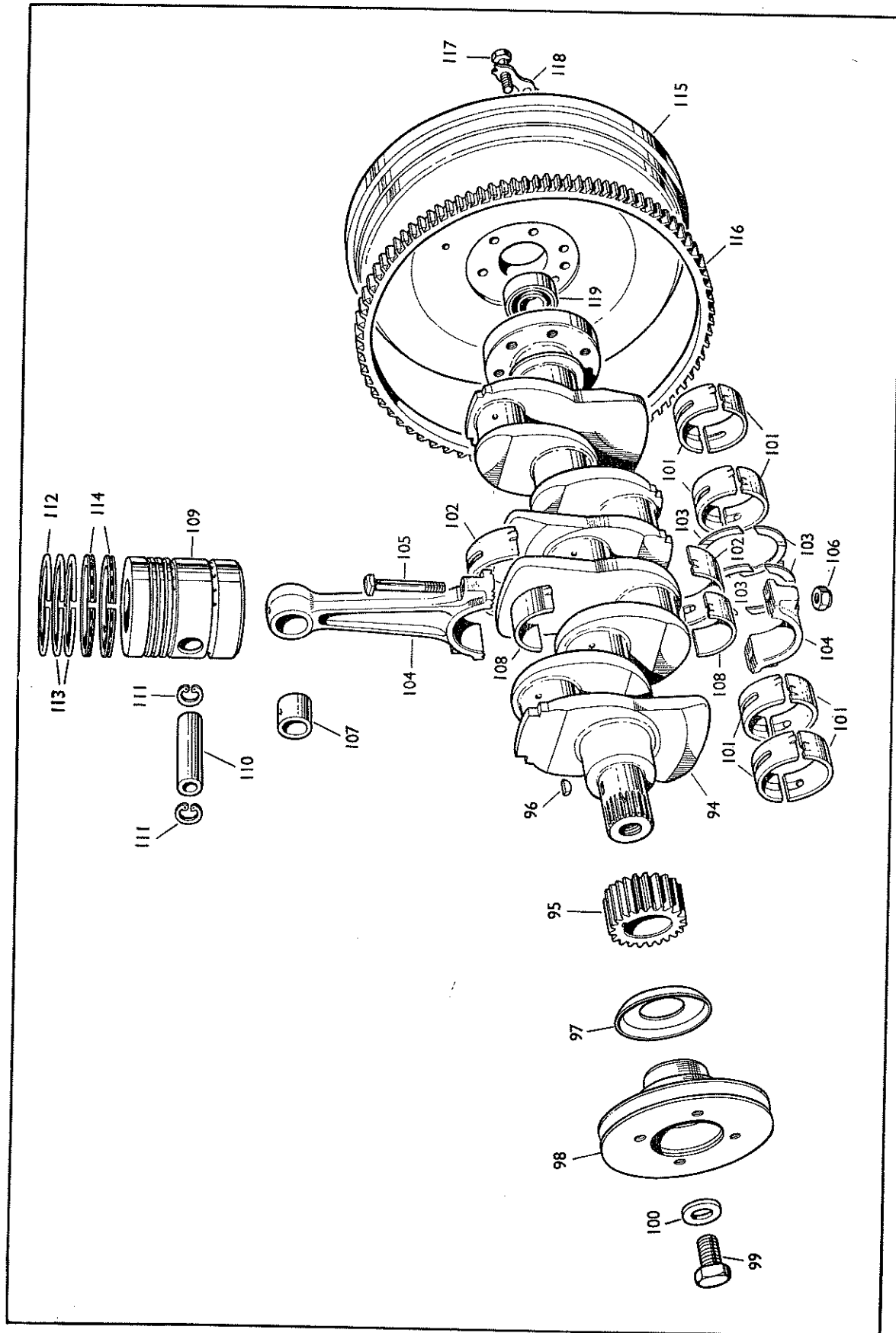


PLATE C - SECTION AF

ENGINE UNIT AND AUXILIARIES - DIESEL - PERKINS 4-236

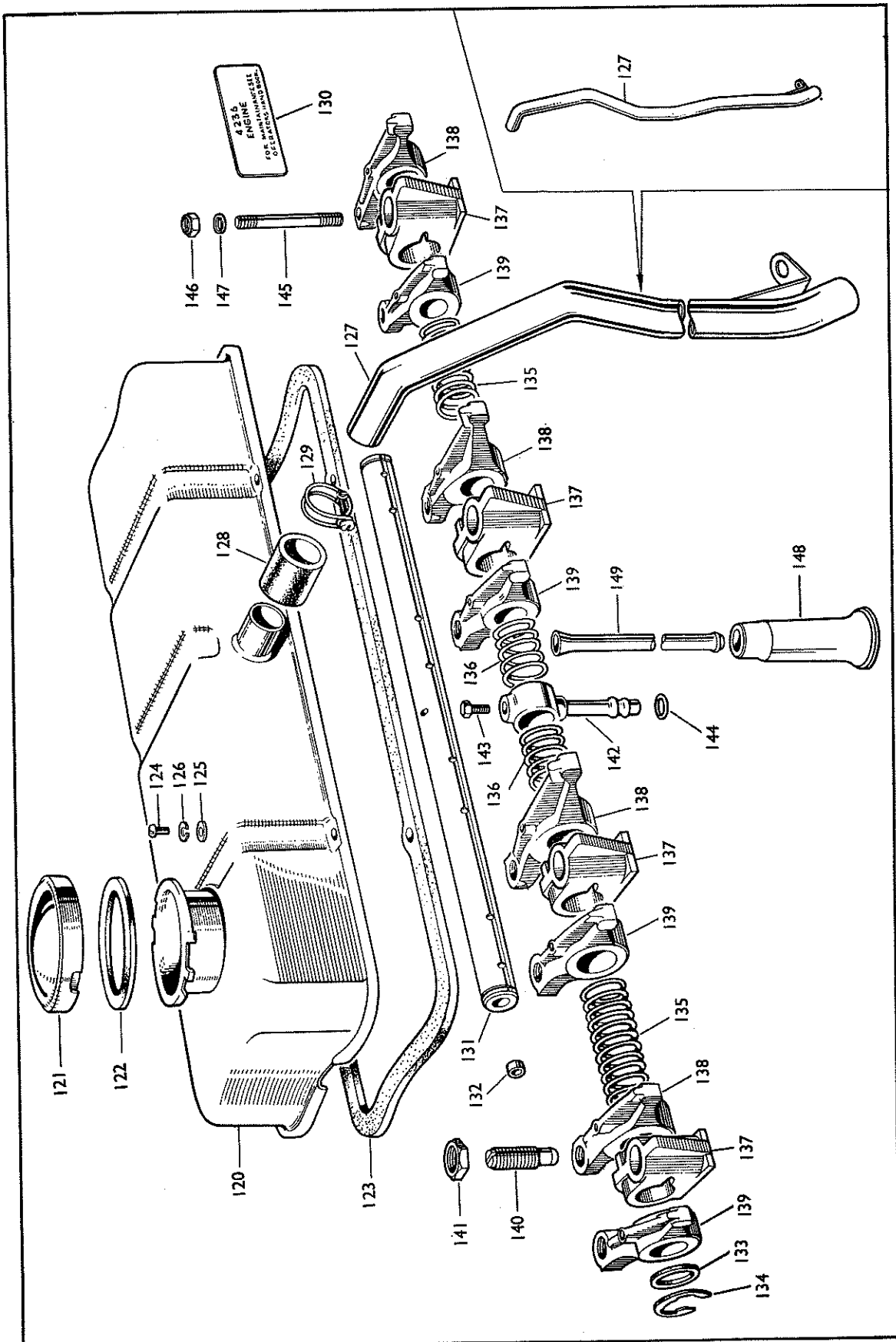


PLATE D - SECTION AF

ENGINE UNIT AND AUXILIARIES - DIESEL - PERKINS 4-236

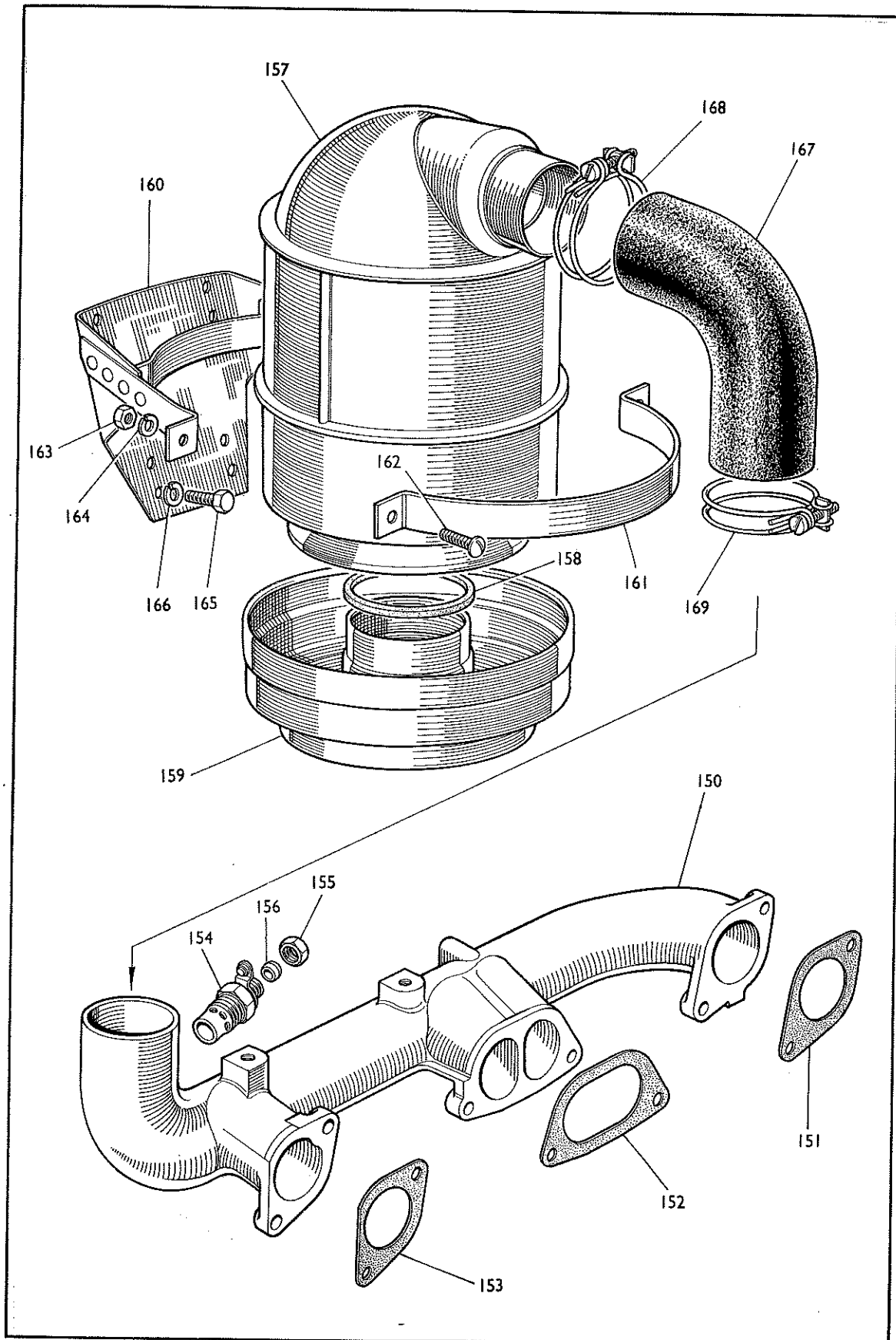


PLATE E - SECTION AF

ENGINE UNIT AND AUXILIARIES - DIESEL - PERKINS 4-236

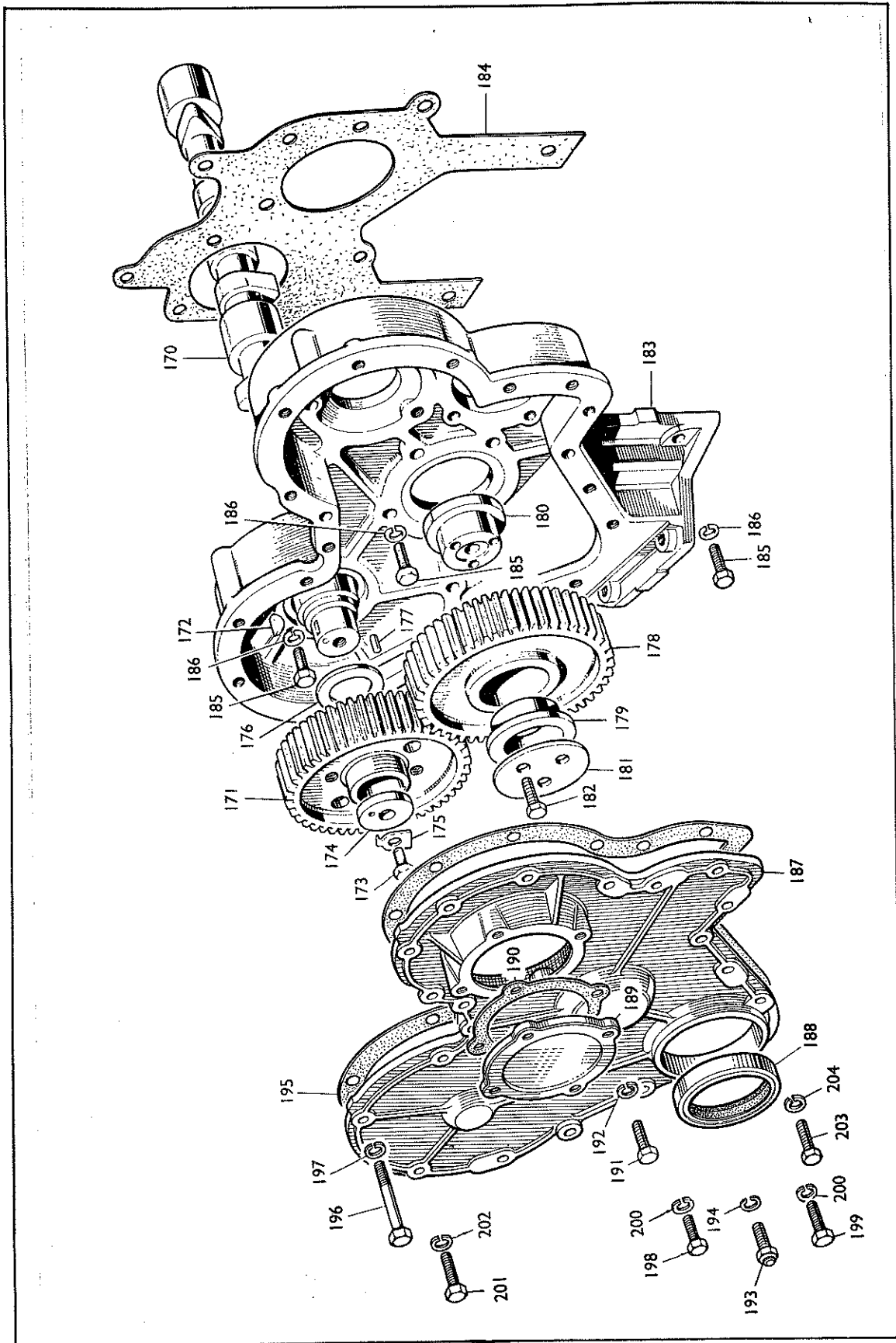


PLATE F - SECTION AF

ENGINE UNIT AND AUXILIARIES – DIESEL – PERKINS 4-236

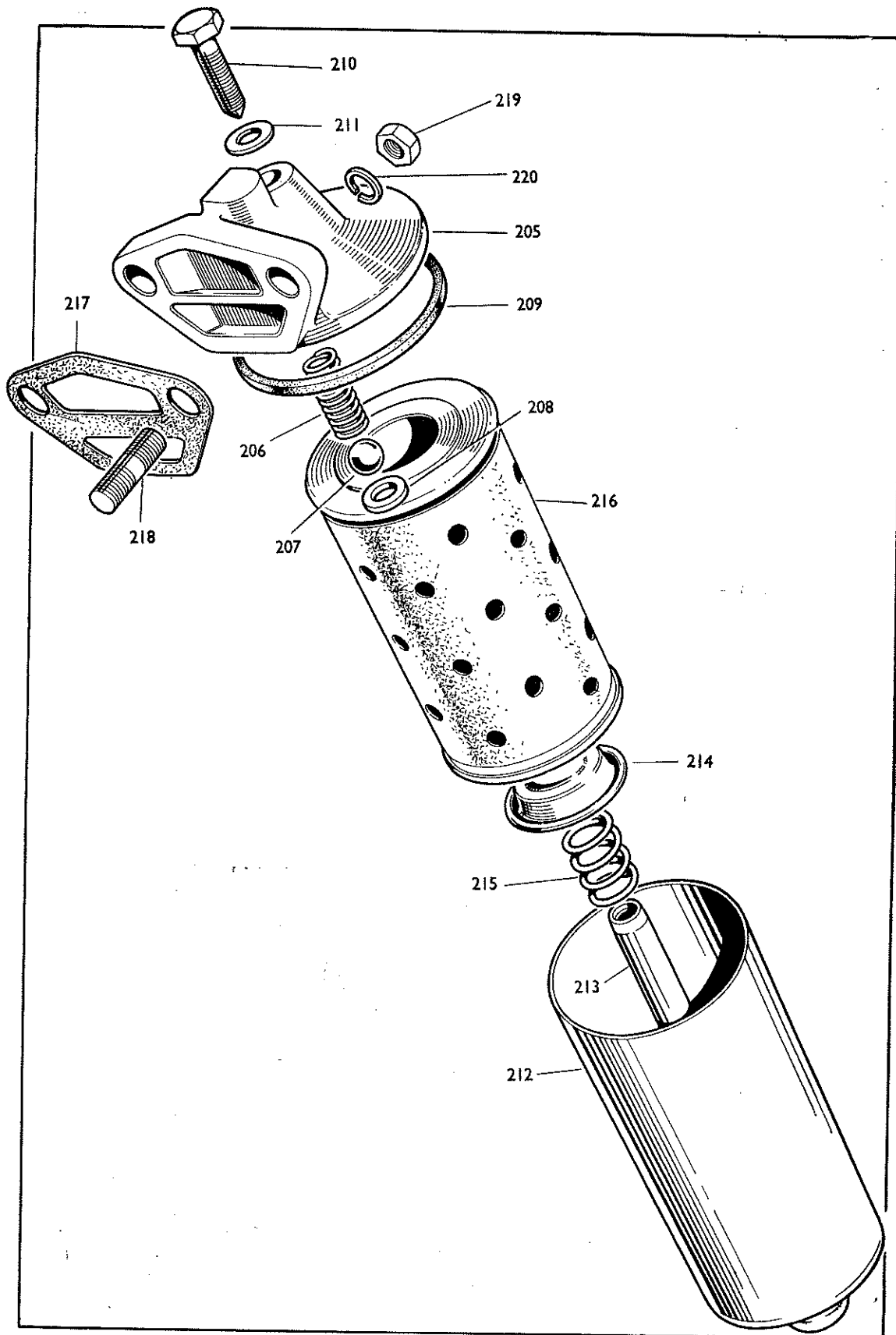


PLATE G – SECTION AF

ENGINE UNIT AND AUXILIARIES - DIESEL - PERKINS 4-236

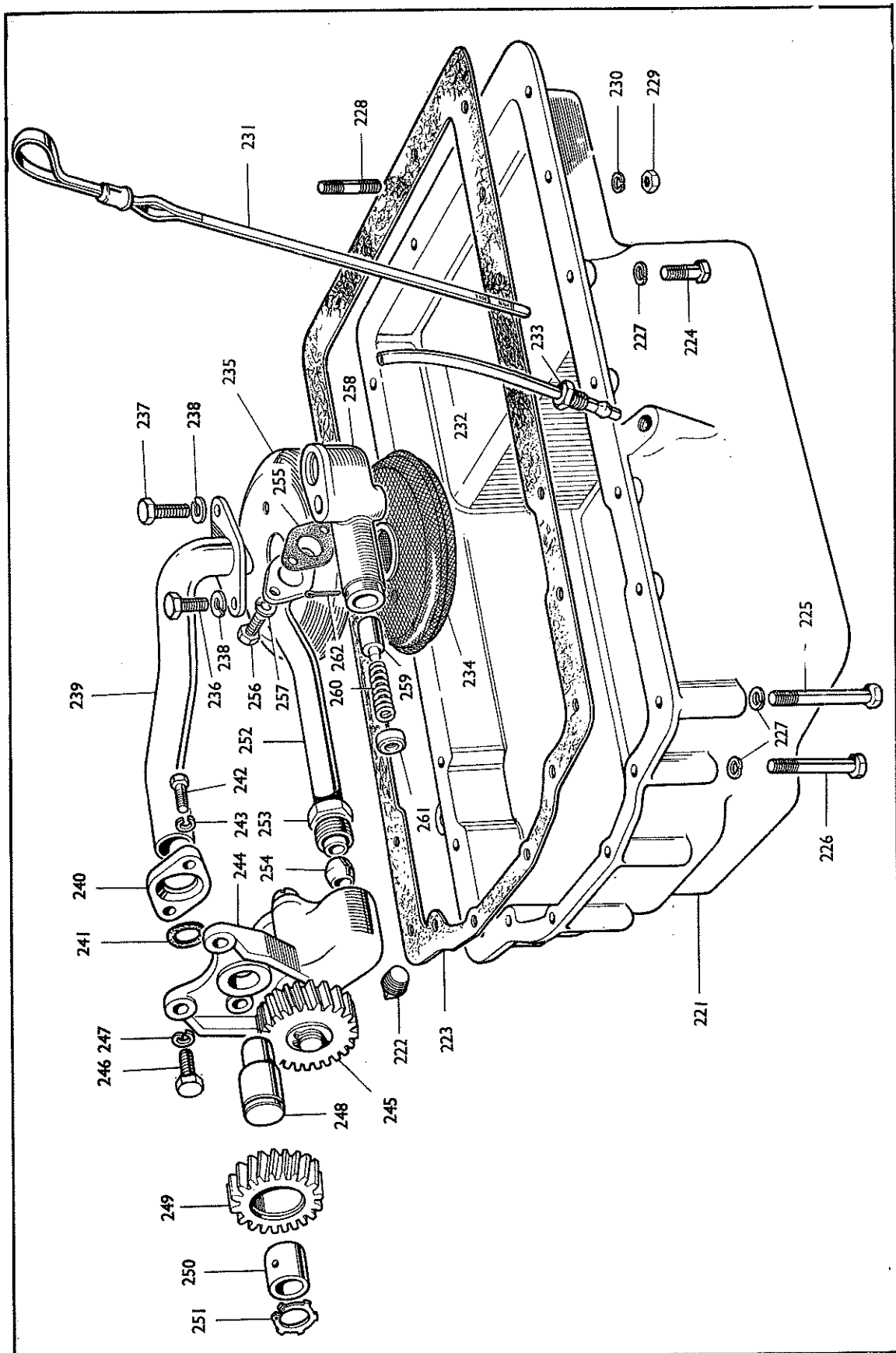


PLATE H - SECTION AF

ENGINE UNIT AND AUXILIARIES - PERKINS - DIESEL 4-236

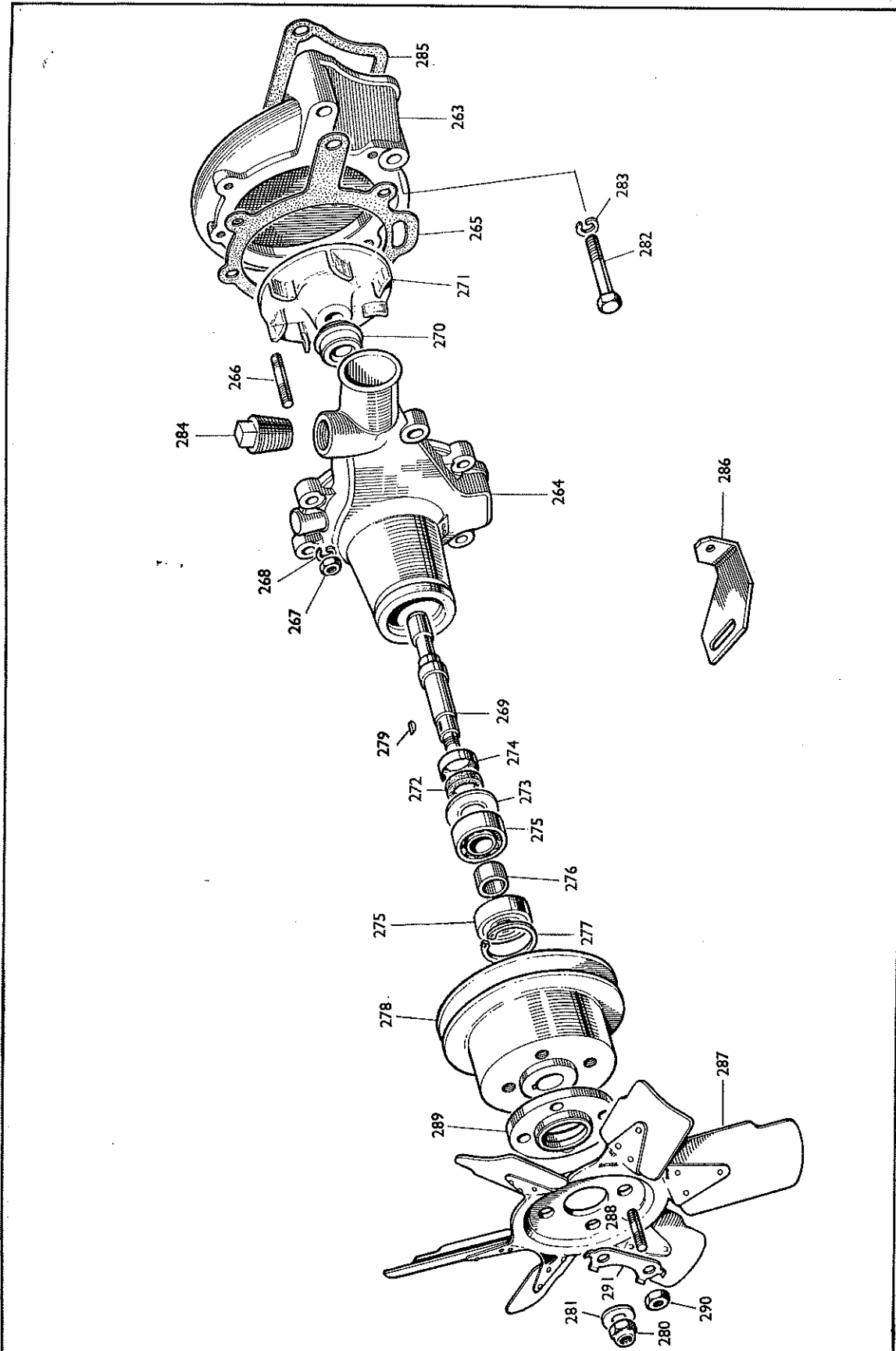


PLATE J - SECTION AF

ENGINE UNIT AND AUXILIARIES - DIESEL - PERKINS 4-236

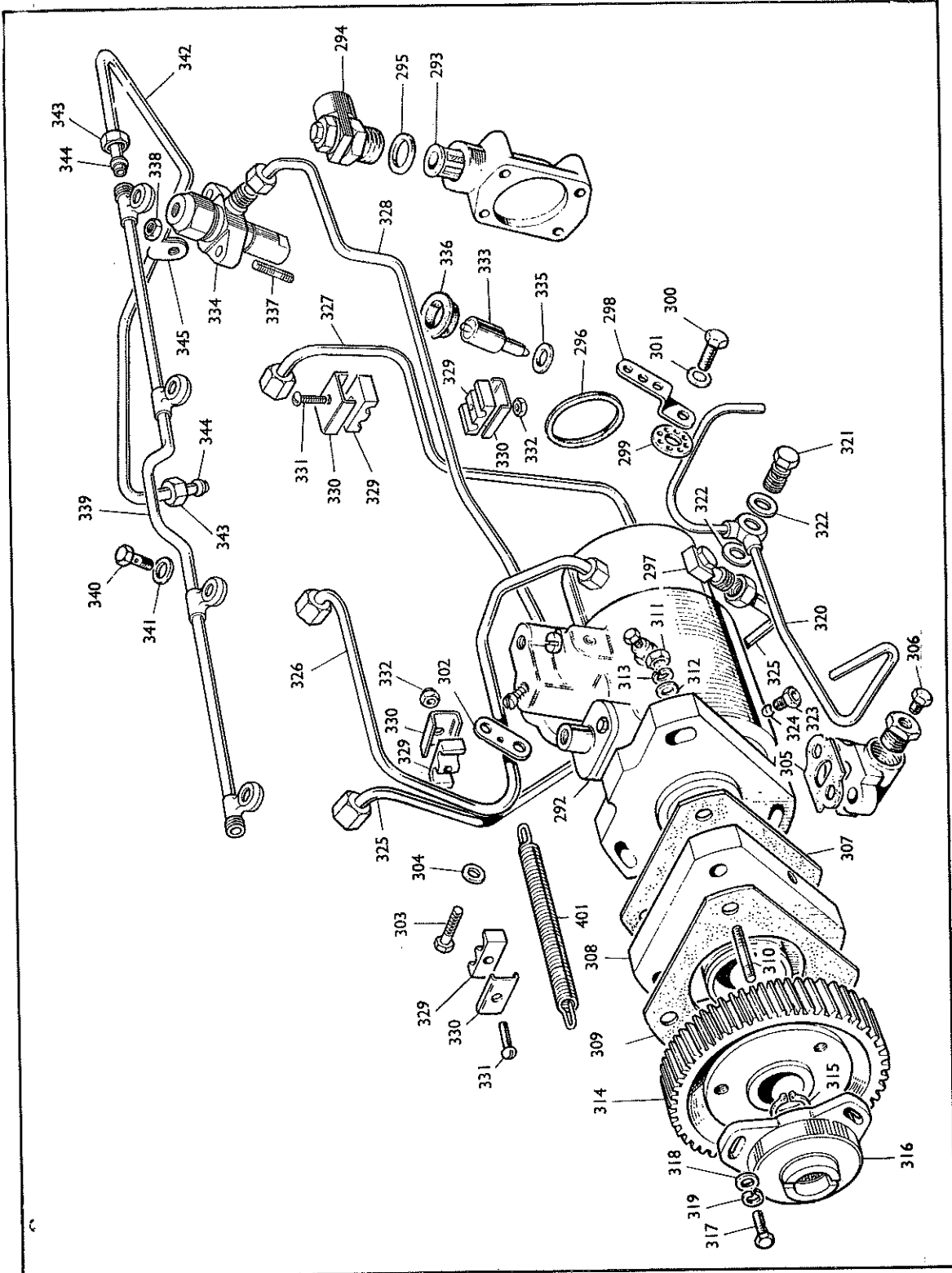


PLATE K - SECTION AF

ENGINE UNIT AND AUXILIARIES - DIESEL - PERKINS 4-236

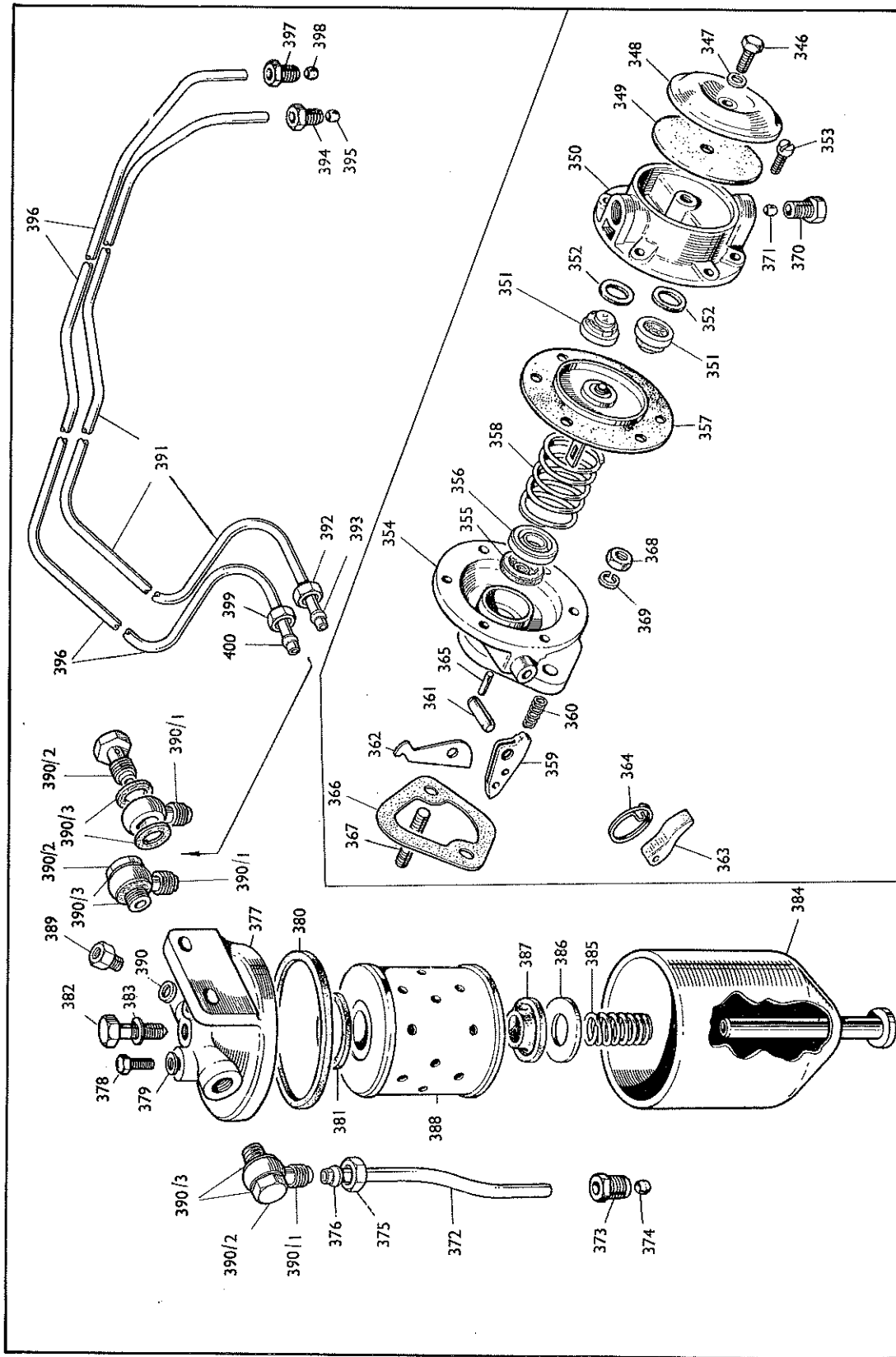


PLATE L - SECTION AF

ENGINE UNIT AND AUXILIARIES - DIESEL - PERKINS 4-236

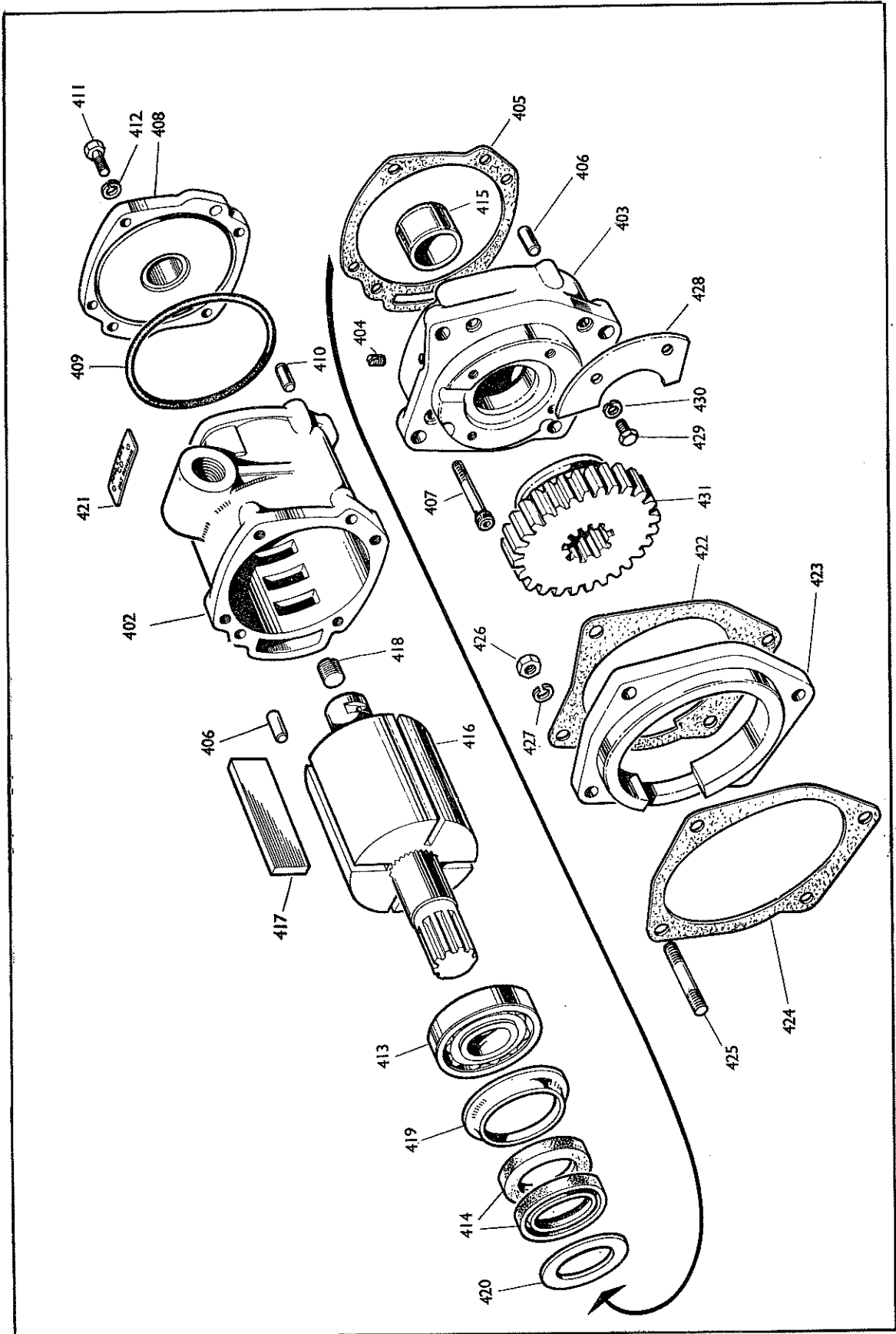


PLATE M - SECTION AF

ENGINE UNIT AND AUXILIARIES - DIESEL - PERKINS 4-236

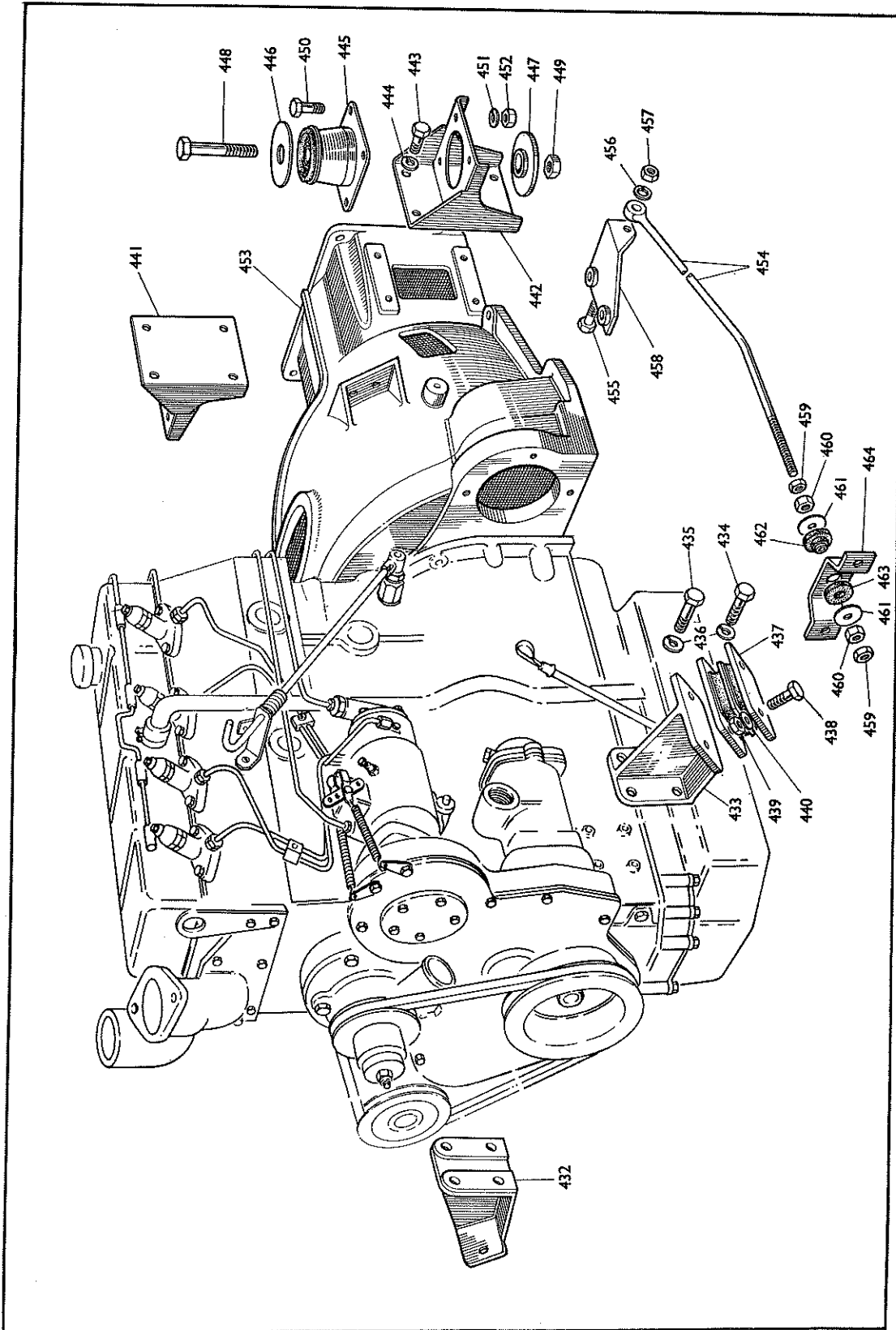


PLATE N - SECTION AF

ENGINE UNIT – DIESEL – PERKINS 4-236

Plate Ref.	Part Number	DESCRIPTION	No. per Veh.	REMARKS
		NOTE. Engines in this Section commence at 236U252.		
A1	5035084 s/d 75035990	BLOCK – CYLINDER – ASSEMBLY – PLAIN BORE ..	1	} Not supplied separately
	5035085	Block – Cylinder – Assembly – Chrome bore	1	
		Cap – Main bearing – Front		
		Cap – Main bearing – Intermediate		
		Cap – Main bearing – Centre		
		Cap – Main bearing – Rear		
A2	5033891	Thimble – Locating – Main bearing cap	10	
A3	5034051	Setscrew	10	
	5034692	Liner – Plain bore	4	
A4	5035002	Liner – “Cromard”	4	
A5	9101838	Plug – Fuel pump side	6	
A6	9101838	Plug – Rear face	2	
A7	5035158	Plug – Induction side – Plain bore	4	
	5034949	Plug – Induction side – Chrome bore	4	
A8	5034052	Tabwasher – Main bearing cap bolts	10	
	5032726	Washer	10	
A9	9101800	Plug – Induction side	1	
A10	75035876	Plug – For alternative drain tap position	1	
A11	5032520	Plug – Pressure rail – Rear	1	
	5220685	Plug – Induction side	1	
	5032910	Washer – Plug	1	
A12	5032900	Washer – Pressure rail plug	1	
A13	9804410 s/d 7100882	Plug – Oil pressure switch boss	1	
A14	5034056	Plug – Camshaft rear end	1	
	5034950	Plug – Fuel pump side	3	
	75035827	Plug – Top face – Rocker oil feed drilling	1	
A15	5034078	Adaptor – Drain tap	1	
A16	5033228	Tap – Drain	1	
A17	5032909	Washer – Drain tap	1	
A18	5034513	Rod – Drain tap operating	1	
A19	5033310	Pin – Tap operating rod	1	
A20	P.22752	Spring	1	
A21	5032886	Washer	1	
A22	5034951	Bracket – Drain tap operating rod and stop control	1	
	5034614	Tube – Drain	1	
	5034615	Clip – Drain tube	1	
	5032831	Stud – Bracket to block	1	
	5032889	Washer	1	
	5221350	Nut	1	
A23	5034817	GASKET – CYLINDER HEAD	1	} Chrome bore only Plain bore only – Up to 236 UE 3630 Plain bore only – From 236 UE 3631
	75035880	Gasket	1	
	75035999	Gasket	1	
A24	5034819	Stud – Long – Head to block	2	} Used with 5034817 and 75035880
A25	5034791	Stud	12	
A26	5034790	Stud	8	
	75035995	Bolt – Cylinder head to block	6	} Used with 75035999
	75035996	Bolt	12	
	75035997	Bolt	2	
	5034790	Stud	2	
A27	5034952	Plate – Blanking oil filter facing on induction side	1	
	5034286 s/d 5034754	Gasket	1	
	5034953	Stud	2	
	5032891	Washer	2	
	5032406	Nut	2	

ENGINE UNIT – DIESEL – PERKINS 4-236

Plate Ref.	Part Number	DESCRIPTION	No. per Veh.	REMARKS
A28	5033897	HOUSING – OIL SEAL – CRANKSHAFT REAR – ASSEMBLY	1	
A29	19105201 s/d 19105202	Bolt	2	
A30	5032889	Washer	2	
A31	5032605	Oil seal	2	
A32	5034847	Gasket – Oil seal housing to block	1	
A33	5032683	Setscrew – Housing to block and bridge piece	11	
A34	5032889	Washer	11	
A35	5033900	BRIDGE PIECE – CYLINDER BLOCK – REAR	1	
A36	5033902	Seal – Side – Bridge piece to block	2	
A37	5034059 s/d 5035293	Screw	2	
	5034954	Washer	2	
A38	19507101	Setscrew – Front engine brackets to block	8	
A39	5032406	Nut	8	
A40	5032891	Washer	8	
A41	5200776	HOUSING – FLYWHEEL AND CLUTCH	1	
A42	9146166	Dowel – Housing to block	2	
A43	19506101	Setscrew	6	
A45	9660243	Washer	6	
	5035151	Stud – Starter motor to housing	3	
	9661243 s/d 5221254	Washer	3	
	9510063	Nut	3	
	5035489	HEAD – ASSEMBLY complete with valves, guides, springs etc.	1	
B46	5034821 s/d 5035489	Head – Cylinder	1	
B47	9101838	Plug – L.H. side	1	
B48	5032503 s/d 5035485	Plug – Top face	2	
B49	5032493	Plug – Top face	1	
B50	5034390	Washer	1	
B51	5034391	Cover – Rear	1	
B52	5034392	Gasket – Cover to head	1	
B53	19505062	Setscrew	5	
B54	5032889	Washer	6	
	19505071 s/d 5220692	Setscrew	1	
B55	5033910 s/d 75035994	VALVE – INLET – Standard	4	
	5034583	Valve – Inlet .003" (.0762 mm) o/s	4	} Service replacement only
	5034584	Valve – Inlet .015" (.381 mm) o/s	4	
	5034585	Valve – Inlet .030" (.762 mm) o/s	4	
	5033912	Deflector – Oil – Inlet valve	4	
B56	5033911	VALVE – EXHAUST – Standard	4	
	5034586	Valve – Exhaust .003" (.0762 mm) o/s	4	} Service replacement only
	5034587	Valve – Exhaust .015" (.381 mm) o/s	4	
	5034588	Valve – Exhaust .030" (.762 mm) o/s	4	
	5034706	Insert – Exhaust valve set	4	
B57	5033907	Spring – Valve – Inner	8	} Service purposes only
B58	5033908	Spring – Valve – Outer	8	
B59	5034394	Washer – Spring locating	8	
B60	5033909	Cap – Spring retaining	8	
B61	5032072 s/d 5035329	Cotters	8 prs	
B62	5034956	HOUSING – THERMOSTAT AND WATER OUTLET	1	
B63	5034396	Gasket – Housing to head	1	

ENGINE UNIT – DIESEL – PERKINS 4-236

Plate Ref.	Part Number	DESCRIPTION	No. per Veh.	REMARKS	
B64	5032503	Plug – Housing	1	Not required when heater is fitted	
	5032493	Plug – Housing – Temperature gauge boss	1		
	5034390	Washer – Plug	1		
B65	5034957	Stud – Housing to head	1		
B66	9510063	Nut	1		
B67	9661241 s/d 5221254	Washer	1		
B68	5032685	Setscrew	1		
B69	19106121	Bolt	2		
B70	9661241 s/d 5221254	Washer	3		
	5032683	Setscrew – Bottom holes	2		
B71	19105181 s/d 19105182	Bolt – Top centre hole	1		
B71	5220698 s/d 19105182	Bolt	1		
B72	5032889	Washer	3		
B73	5033678	THERMOSTAT	1		
B74	5034959	Gasket – Top water pipe to thermostat housing	1		
B75	5035086	Pipe – Top water outlet	1		
B76	19506101	Setscrew – Pipe to housing	2		
B77	9661241 s/d 5221254	Washer	2		
B78	5034399	PLATE – FRONT – ENGINE LIFTING	1		
B79	5033913	Plate – Rear	1		
B80	19506071	Setscrew – Plate to head – Rear only	2		
B81	9661241 s/d 5221254	Washer	2		
B82		GASKET – CYLINDER HEAD	22		} See Cylinder Block 2 off from 236 UE 3631
B83		Stud – Head to block			
B84	5034796	Nut	1		
B85	5034400	MANIFOLD – EXHAUST	2		
B86	5034401	Gasket – Manifold to head	4		
B87	29900379	Stud	4		
B88	9553064	Locknut	1		
B89	3019839	FLANGE – EXHAUST MANIFOLD OUTLET	1		
B90	W.12423	Ring – Sealing – Pipe to manifold	3		
B91	29900381	Stud – Flange to manifold	3		
B92	9553064	Locknut	3		
B93	9660243	Washer	1		
C94	5034403 s/d 5035204	CRANKSHAFT	1		
	5035204	Crankshaft – Assembly complete with main bearings and thrust washers	1		
C95	5034404	Gear	1		
C96	9213011	Key	1		
C97	5035049	Flange – Oil thrower	1		
C98	5034961	Pulley	1		
C99	5034892	Screw – Pulley retaining	1		
C100	5034893	Washer	1 set	} Each set comprises 6 Top halves 6 Bottom halves	
C101	5150985	BEARING – MAIN – FRONT – INTER – REAR – Standard			
	5150986	Bearing – Main – Front – Inter – Rear .010" (.254 mm) u/s			
	5150987	Bearing – Main – Front – Inter – Rear .020" (.508 mm) u/s			
	5150988	Bearing – Main – Front – Inter – Rear .030" (.762 mm) u/s	1 set	} Each set comprises 4 Top halves 4 Bottom halves	
C102	5150989	BEARING – MAIN – CENTRE – Standard			
	5150990	Bearing – Main – Centre .010" (.254 mm) u/s			
	5150991	Bearing – Main – Centre .020" (.508 mm) u/s			
	5150992	Bearing – Main – Centre .030" (.762 mm) u/s	1 set		

ENGINE UNIT – DIESEL – PERKINS 4-236

Plate Ref.	Part Number	DESCRIPTION	No. per Veh.	REMARKS	
C103	5151525	Washer – Thrust – Standard	2 prs	} Each pair comprises 1 Top half 1 Bottom half	
	5151526	Washer – Thrust .007" (.1778 mm) o/s	2 prs		
C104	5033925 s/d 5035257	ROD – CONNECTING – ASSEMBLY	4	} Fitted up to Engine No. 4402696	
C105	5034067 s/d 5035308	Bolt	8		
C106	5034409	Nut	8		
C107	5033926	Bush – Small end	4		
	5035257	Rod – Connecting – Assembly	4		
	5035308	Bolt	8	} Fitted from Engine No. 4402697	
	5034409	Nut	8		
	5033926	Bush – Small end	4		
C108	5150993	BEARING – BIG END – Standard	1 set	} Each Set comprises 12 Halves	
	5150994	Bearing – Big end .010" (.254 mm) u/s	1 set		
	5150995	Bearing – Big end .020" (.508 mm) u/s	1 set		
	5150996	Bearing – Big end .030" (.762 mm) u/s	1 set		
C109	5151501 s/d 5035422	PISTON – COMPLETE – Standard – PLAIN BORE	4	} No longer supplied separately. Use pack 5045927 See Data 2A-344	
	5035421	Piston complete with pin and circlips	4		
C110		Pin – Gudgeon	4		} Not supplied
C111	5031989	Circlip	8		
	5045927	Ring – Piston set	4		
C112	5151520	Ring – Compression – Top groove	4		
C113	5151511	Ring – Compression – 2nd and 3rd groove	8		
C114	5150960	Ring – Scraper – 4th and 5th groove	8		
	5151501 s/d 5035422	Piston – Complete – Standard – Plain bore .030" (.762 mm) o/s	4		
	5035422	Piston complete with pin and circlips	4		} Not supplied
	5031989	Pin – Gudgeon	4		
	5035408	Circlip	8		
	5031989	Ring – Piston set	4		} No longer supplied separately. Use pack 5035408 See Data 2A-344
	5151521	Ring – Compression – Top groove	4		
	5151512	Ring – Compression – 2nd and 3rd groove	8		
	5150961	Ring – Scraper – 4th and 5th groove	8		
	5034656 s/d 5035421	PISTON – COMPLETE – Standard – CHROME BORE	4	} No longer supplied separately. Use pack See Data 2A-344	
	75035820 s/d 5035421	PISTON – COMPLETE	4		
	5035421	Piston complete with pin and circlips	4		
	5031989	Pin – Gudgeon	4		} Not supplied
	5035409 s/d 5035479	Circlip	8		
	5031989	Ring – Piston set	4		
	5151522	Ring – Compression – Top groove	4		
	5151511	Ring – Compression – 2nd and 3rd groove	8		
	5150960	Ring – Compression – 4th and 5th groove	8		
		NOTE. Piston Assemblies are no longer supplied. Use piston – Base and ring set			
C115	5035088	FLYWHEEL – AND STARTER RING GEAR	1	} No longer supplied separately. Use pack See Data 2A-344	
C116	5035089	Gear – Starter ring	1		
C117	5033478	Setscrew – Flywheel to crankshaft	6		
C118	5033413	Tabwasher	3		
C119	9198005	Bearing – Clutch spigot	1		

ENGINE UNIT – DIESEL – PERKINS 4-236

Plate Ref.	Past Number	DESCRIPTION	No. per Veh.	REMARKS
D120	5034412	COVER – CYLINDER HEAD	1	
D121	5031983	Cap – Oil filler	1	
D122	5034347	Gasket – Cap	1	
D123	5034413	Gasket – Cover to head	1	
D124	39314101	Screw	4	
D125	9068010	Washer	4	
D126	5032888	Washer	4	
#D127	5034962 s/d 5035388	PIPE – BREATHER complete with clip	1	} Up to Engine No. 236U84743
#D128	5034415 s/d 5035352	Hose – Pipe to cover	1	
#D129	5032011 s/d 9787153	Clip – Hose	2	
#	75063681	Pipe – Breather	1	} From Engine No. 236U84744 Not supplied
#	75063682	Connection – Pipe to cylinder head cover	1	
#	75063683	Clip	2	
D130	5034416 s/d 75035806	SHAFT – ROCKER	1	
D131	75035806	SHAFT – ROCKER COMPLETE WITH PLUGS	1	
D132	5032499	Plug	2	
D133	5034076	Washer – Rocker shaft end	2	
D134	5034077	Circlip – Rocker shaft retaining	2	
D135	5033956	Spring – Long	2	
D136	5033957	Spring – Short	2	
D137	5035028	Bracket	4	
D138	5033960	Lever – Rocker – R.H.	4	
D139	5033959	Lever – Rocker – L.H.	4	
D140	5032581	Screw – Tappet adjusting	8	
D141	5032404	Nut	8	
D142	5033937	Pipe – Oil feed – Rocker	1	Fitted up to Engine No. 236UE1531
	5035511	Pipe	1	Fitted from Engine No. 236UE1532
D143	19503042	Screw – Pipe locating	1	
D144	9107003	Seal – Oil feed pipe to head	1	Fitted up to Engine No. 236UE1531
	5035380	Seal – Oil feed pipe to head	1	Fitted from Engine No. 236UE1532
D145	5034418	Stud – Bracket to head	4	
D146	5034750	Nut	4	
D147	9067036	Washer	4	
D148	5033939 s/d 5035216	TAPPET	8	
D149	5033938	ROD – PUSH..	8	
		NOTE 5035511 Pipe can be used to replace 5033937, but 5035380 seal must also be used.		
E150	5035090	MANIFOLD – INDUCTION	1	
E151	5034420	Gasket – Manifold to head – Front	1	
E152	5034421	Gasket – Manifold to head – Centre	1	
E153	5034422	Gasket – Manifold to head – Rear	1	
	29900352	Stud	1	
	19106203	Bolt	1	
	19506091 s/d 5220687	Setscrew	4	
	9661241 s/d 5221254	Washer	6	
	19506051 s/d 5220685	Setscrew	1	
	5032910	Washer	1	
	9510063	Nut	1	
E154	5034423	THERMOSTART – COLD STARTING AID	1	
#E155	5032412 s/d 3251118	Nut – Fuel pipe to thermostart	1	
E156	5032356	Olive	1	

ENGINE UNIT – DIESEL – PERKINS 4-236

Plate Ref.	Part Number	DESCRIPTION	No. per Veh.	REMARKS
	3050682	CLEANER – AIR	1	
E157	5039246	Element and elbow – Assembly	1	
E158	K.16818	Gasket	1	
E159	5039247	Container – Oil	1	
E160	3050678	Bracket – Air cleaner mounting	1	
E161	3050681	Strap – Front – Cleaner to bracket clamping	1	
E162	19505082	Setscrew – Strap to bracket	2	
E163	9510051 s/d 5221350	Nut	2	
E164	9660203	Washer	2	
E165	19504052	Setscrew – Bracket to dash	4	
E166	9660163	Washer	4	
E167	3058201	Hose – Air cleaner to inlet manifold	1	
E168	9782471	Clip – Hose to air cleaner	1	} Early condition Late condition
E169	9782421	Clip – Hose to inlet manifold	1	
	9782481	Clip – Hose	2	
F170	5034424	CAMSHAFT	1	
F171	5033941 s/d 5035073	Gear	1	
F172	9213011	Key – Gear to camshaft	1	
F173	5034425	Setscrew	1	
F174	5034426	Washer	1	
F175	5034435	Tabwasher	1	
	5034644	Shim	1	
F176	5034071	Plate – Camshaft thrust	1	
F177	9844407	Dowel – Thrust plate locating	1	
F178	5034428	GEAR – IDLER	1	
F179	5034429	Bush	1	
F180	5034427	Hub – Idler gear	1	
F181	5034195	Plate – Retaining – Hub and gear to block	1	
F182	19106203	Bolt	3	
	5034279	Tabwasher	3	
F183	5034963 s/d 5035272	HOUSING – TIMING GEAR	1	
F184	5034431	Gasket – Housing to block	1	
F185	5220692	Setscrew	9	
F186	5032889	Washer	9	
	5034964	COVER – FRONT – ASSEMBLY – Timing gear housing		No longer supplied Order components
F187	5034965 s/d 5035273	Cover – Front	1	
F188	5034075	Oil seal	1	
F189	5033935 s/d 5035217	Cover – Inspection	1	
F190	5033936	Gasket – Cover to front cover	1	
F191	19505051 s/d 5220684	Setscrew	4	
F192	9077088	Washer	4	
F193	5034437	Pin – Engine timing	1	
F194	5034438	Washer	1	
F195	5034966	Gasket – Front cover to timing gear housing	1	
F196	19105201	Bolt – Front cover to block	4	
F197	5032889	Washer	4	
F198	19505071 s/d 5220692	Setscrew – Front cover to housing	11	
F199	19506081 s/d 5220694	Setscrew	1	
F200	5032889	Washer	11	
	9661241 s/d 5221254	Washer	1	
F201	5032883	Setscrew – Front cover and waterpipe bracket to housing	1	
F202	5032889	Washer	1	
F203	19505071 s/d 5220692	Setscrew – Front cover to housing – Bottom holes	3	
F204	9077088	Washer	3	

ENGINE UNIT – DIESEL – PERKINS 4-236

Plate Ref.	Part Number	DESCRIPTION	No. per Veh.	REMARKS
	5040643	FILTER – ASSEMBLY – LUBRICATING OIL	1	
G205	5040644	Cover – Assembly	1	} Not supplied
G206		Spring – Valve		
G207		Ball		
G208		Seat – Valve		
G209	9122173	Gasket – Container to cover	* 1	
G210	9000105	Bolt – Centre	1	
G211	9077021	Washer – Bolt sealing	1	
	5040645	Container – Assembly	1	} Not supplied
G212		Container		
G213		Stub		
G214	K.29765	Retainer	1	
G215	5038399	Spring	1	
G216	5040646	Element	* 1	
*NOTE. Gasket 9122173 is included in element pack.				
G217	5035301	Gasket – Filter to block	1	} No longer supplied
G218	29707133	Stud	2	
G219	5032406	Nut	2	
G220	5032891	Washer	2	
H221	5034967	SUMP	1	
H222	5032503 s/d 5035485	Plug – Drain	1	
H223	5034441	Gasket – Sump to block	1	
H224	5032683	Setscrew	8	
H225	19105101	Bolt	4	
H226	19105241	Bolt – Sump to timing gear housing	6	
H227	5032889	Washer	18	
H228	29900374	Stud – Sump to bridge piece	2	
H229	9510050 s/d 5221350	Nut	2	
H230	5032889	Washer	2	
H231	5035091	DIPSTICK	1	
	9120149	Washer – Sealing	1	
H232	5035092	Tube – Dipstick	1	
H233	9156546	Nut	1	
H234	5034970	STRAINER – LUBRICATING OIL	1	} Fitted up to Engine No. 236UE 2151
H235	5034971	Shroud – Strainer	1	
H236	19504052	Setscrew – Suction pipe to strainer	1	} Fitted up to Engine No. 236UE2151
H237	19504061 s/d 5220695	Setscrew	1	
H238	5032888	Washer	2	
H239	5034972	PIPE – LUBRICATING OIL SUCTION	1	
H240	5034236	Flange – Pipe	1	
H241	9107055	Seal – Flange	1	
	19505041 s/d 5220683	Setscrew – Pipe to main bearing cap	1	
	5032889	Washer	1	
	5034973	Clip – Pipe support	1	
H242	19505062	Setscrew – Flange to pump	2	
H243	5032889	Washer	2	
	75035869	PIPE – LUBRICATING OIL SUCTION	1	} Fitted from Engine No. 236UE2152
	75035870	Gasket – Pipe to pump	1	
	19505062	Setscrew	2	
	5032889	Washer	2	
	9067015	Washer	1	
	75035871	Clip – Pipe support	1	
	5220684	Setscrew – Clip to main bearing cap	1	
	5032886	Washer	1	

ENGINE UNIT – DIESEL – PERKINS 4-236

Plate Ref.	Part Number	DESCRIPTION	No. per Veh.	REMARKS
H244	5034974	PUMP – ASSEMBLY – LUBRICATING OIL	1	Not supplied
H245		Gear – Pump drive		
	5034881	Ring – Sealing	1	
H246	5032683	Setscrew – Pump to main bearing cap	3	
H247	5032889	Washer	3	
H248	5034450	Shaft – Idler gear	1	
H249	5034975	Gear – Idler	1	
H250	5034452	Bush	1	
H251	5034453	Circlip – Retaining idler gear	1	
H252	5035136	PIPE – LUBRICATING OIL DELIVERY	1	
H253	9156560	Nut – Pipe	1	
H254	9157125	Olive	1	
H255	5034978	Gasket – Pipe to housing	1	
H256	19504061 s/d 5220695	Setscrew	2	
H257	5032888	Washer	2	
H258	5035263	HOUSING – LUBRICATING OIL DELIVERY	1	
H259	5033623 s/d 5035360	Plunger – Oil relief valve	1	
H260	5033624 s/d 5035361	Spring	1	
H261	5034836	Cap	1	
H262		Pin – Split	1	Not supplied
	5032870	Thimble – Housing to block	1	Not supplied
		Setscrew		
	9661241 s/d 5221254	Washer	1	
		SWITCH – OIL PRESSURE WARNING		See Electrical Section
	5034979 s/d 75036056	PUMP – WATER – ASSEMBLY	1	
	5035264 s/d 75036056	Pump – Water – Assembly	1	
	5035438 s/d 75036056	Pump – Water – Assembly	1	Up to 236 U 70676
	75036056	Pump – Water – Assembly	1	From 236 U 70677
J263	5034981 s/d 5035265	Body – Rear	1	
	5035265	Body – Rear	1	
J264	5034980	Body – Front	1	
J265	5034982	Gasket – Body to body	*†	
J266	5034983	Stud	4	
J267	9510050 s/d 5221350	Nut	4	
J268	5032889	Washer	4	
J269	5034984	Shaft – Drive	†	For 5035438 Pump
	75036058	Shaft – Drive	*	For 75036056 Pump
J270	5034742	Seal – Rear	*†	
J271	5034461	Impellor	†	For 5035438 Pump
	75036059	Impellor	*	For 75036056 Pump
	75035929	Counterface – Ceramic	*	
J272	5034827 s/d 9120083	Seal – Front	*†	
J273	5033984	Flange – Front seal to retainer	*†	
J274	5033985	Retainer – Front seal	*†	
J275	5034743	Bearings	*†	
J276	5034985	Spacer – Bearing	*†	
J277	5031997	Circlip – Locating bearing	*†	
J278	5034986	Pulley	1	For 5035438 Pump
	75036057	Hub – Pulley mounting	1	For 75036056 Pump
J279	5200253	Key – Pulley to shaft	*	
J280	9573083	Nut	1	For 5035438 Pump
	75036024	Nut	1	For 75036056 Pump
J281	5034890	Washer	1	For 5035438 Pump
	9068028	Washer	1	For 75036056 Pump
J282		Bolt	1	Not supplied
	5032685	Setscrew	1	
J283	9661241 s/d 5221254	Washer	2	

ENGINE UNIT – DIESEL – PERKINS 4-236

Plate Ref.	Part Number	DESCRIPTION	No. per Veh.	REMARKS	
		PUMP – WATER – ASSEMBLY – Continued			
	75036060	Pulley	1	} For 75036056 Pump	
	5220684	Setscrew – Pulley to hub	4		
	5032889	Washer	4		
	5033886	Spacer	4		
J284	5032503 s/d 5035485	Plug – Water pump body	1		
	19106281	Bolt – Fuel pump side – Pump to block	1		
	19106201	Bolt – Induction side	1		
	19506081 s/d 5220694	Setscrew – Bottom hole	1		
J285	5034987 s/d 5035266	Gasket – Pump to block	1		
	5035266	Gasket	1		
J286	5035093	BRACKET – INLET PIPE SUPPORT	1	} Limited application	
	3024462	Extension – Pipe support	1		
	19505051 s/d 5220684	Setscrew	1		
	9660203	Washer	1		
	9510050 s/d 5221350	Nut	1		
J287	3053372 s/d 75035852	FAN – ASSEMBLY	1		
	75035852	FAN – ASSEMBLY	1		
J288	5034983	Stud – Fan to pulley	4		For 3053372 Fan
	5032839	Stud	4		For 75035852 Fan
J289	5035094	Extension – Fan	1		
J290	5221350	Nut	4		
J291	5032954	Tabwasher	2		
		BELT – PUMP AND ALTERNATOR DRIVE		See Engine Auxiliaries	
	5034989 s/d 5035267	KIT – WATER PUMP REPAIR	1		
	5035267	KIT – WATER PUMP REPAIR – For 5035438 Pump	1	Includes all items marked †	
	75036066	KIT – WATER PUMP REPAIR – For 75036056 Pump	1	Includes all items marked *	
K292	5043910 s/d 5060110	PUMP – FUEL INJECTION – ASSEMBLY	1	Fitted up to Engine No. 236UE1201C	
	5060110	Pump – Fuel injection – Assembly	1	Fitted from Engine No. 236UE1202C up to Engine No. 236U24750	
	75060988	Pump – Fuel injection – Assembly	1	Fitted from Engine No. 236U24751	
	5041219	Spring – Piston retaining – Fuel inlet	1		
	5041220 s/d 5060128	Piston – Regulating	1	For 5043910 Pump	
	5060128	Piston	1	For 5060110 and 75060988 Pumps	
	5042966	Sleeve	1		
K293	5041319	Washer – Sleeve	1	} For 5043910 and 75060988 Pumps For 5060110 Pump	
	5039046	Filter	1		
	5042157	Plug – Sleeve	1		
	5042158	Plug	1		
	5042265	Plug	1		
	5042964	Spring – Regulating	1		
	5041224	Spring – Sleeve retaining	1		
K294	5038961	Connection	1		
K295	9077044	Washer	1		
	5042160	Screw – Adjusting	1		
	5042161	Spring – Adjusting screw	1		
	5042162	Washer – Plug	1		
	5042163	Spring – Plug	1		
K296	5041320	Seal – Transfer pump	1		
	5041321	Seal – Distributor head	1		
	5043909	Banjo – Long – Injector pipes to pump	1	} For 5043910 Pump For 5060110 and 75060988 Pumps	
K297	K.28844	Banjo – Short	1		
	5060134	Banjo – Short	2		
	9159502	Bolt – Banjo	2		

ENGINE UNIT – DIESEL – PERKINS 4-236

Plate Ref.	Part Number	DESCRIPTION	No. per Veh.	REMARKS
		PUMP – FUEL INJECTION – ASSEMBLY – Continued		
	5041324	Washer – Connection	8	
	9151007	Connection	2	
	P.102770	Washer – Union	4	
	5041325	Screw – Head locking	1	
	9077014	Washer	1	
	5042166	Screw – Assembly – Head vent	1	
	5042165	Screw – Vent	1	
	9077014	Washer – Screw	1	
	5041374	Cover – Adjusting	1	
	5038359	Gasket – Cover	1	For 5043910 Pump
	5060129	Gasket	1	For 5060110 and 75060988 Pumps
	5041375	Screw – Cover fixing	2	
	5042303	Washer	2	
	5042557	Seal – Drive shaft	2	For 5043910 Pump
	5060130	Seal	1	For 5060110 and 75060988 Pumps
	5043911	Valve – Metering	1	
	5043912	Valve – Metering – Oversize	1	
	5043913	Spring – Valve	1	For 5043910 Pump
	5060135	Spring – Valve	1	For 5060110 and 75060988 Pumps
	5060136	Spring – Idling	1	
	5042294	Gasket – Housing	1	
	5038129	Screw – Vent	1	For 5043910 and 5060110 Pumps
	75060989	Screw – Vent	1	For 75060988 Pump
	9077076	Washer – Vent screw	1	
	5042295 s/d 5060104	Shaft – Throttle	1	For 5043910
	5042174	Seal – Shaft	1	Pump
	5044638	Shaft – Throttle	1	For 5060110 and 75060988 Pumps
	5060131	Seal – Shaft	1	
K298	5043914	Arm – Throttle	1	
K299	5042297	Plate – Vernier	1	For 5043910 Pump
	5060111	Plate – Vernier	1	For 5060110 and 75060988 Pumps
K300	5042298	Screw – Arm and plate to pump	1	
K301	5042314	Washer	1	
K302	5042301	Lever – Shut off	1	For 5043910 and 5060110 Pumps
	75060990	Lever – Shut off	1	For 75060988 Pump
K303	5042313	Screw – Lever	1	
K304	5042303	Washer	1	
	5042299	Shaft – Shut off	1	
	5042300	Seal – Shaft	1	For 5043910 Pump
	5060132	Seal – Shaft	1	For 5060110 and 75060988 Pumps
	5042304	Screw – Idling control	1	
	5042305	Screw	1	
	5041331	Nut	2	
	5042306	Sleeve – Locking	1	
	5042310 s/d 5060104	Plate – Stop	1	
K305	5038986	Gasket – Auto advance housing	1	
	5041235	Nut – Cap – Housing stud	1	
	5041332	Washer	1	
	5043915	Spring – Piston outer	1	
	5041237	Spring – Piston inner	1	
	5041333	Seal – Plug	1	
	5041333	Seal – Spring cap	1	

ENGINE UNIT – DIESEL – PERKINS 4-236

Plate Ref.	Part Number	DESCRIPTION	No. per Veh.	REMARKS
		PUMP – FUEL INJECTION – ASSEMBLY – Continued		
K306	9003024	Screw	1	
	5041335	Washer	1	
	5041241	Shim 0.2 mm	A/R	
	5041242	Shim 0.5 mm	A/R	
	5041243	Shim 1.0 mm	A/R	
	5041244	Shim 2.0 mm	A/R	
	5041336	Seal – Head locating stud	2	
	5060133	Seal	2	For 5043910 Pump For 5060110 and 75060988 Pumps
	5041337	Washer	1	
	5041341	Ball	1	
K307	5033286	Gasket – Injection pump to carrier	1	
K308	5034472	CARRIER – DRIVE GEAR HUB	1	
K309	5034473	Gasket	1	
K310	29705172	Stud – Pump and carrier to timing gear housing	3	
K311	9029200	Nut	3	
K312	5032886	Washer	3	
K313	5032889	Washer	3	
K314	5034474	GEAR – DRIVE – INJECTION PUMP	1	
K315	9205027	Circlip – Gear	1	
K316	5034749	Hub and plate – Gear	1	
K317	5032683	Setscrew – Hub and plate to gear	3	
K318	5032886	Washer	3	
K319	5032889	Washer	3	
K320	5034848	PIPE – OIL FEED – Block to exhauster and pump carrier	1	
K321	9159524	Bolt – Pipe banjo to block	1	
K322	5032902	Washer – Bolt	2	
K323	5034477	Nut – Pipe to carrier	1	
K324	5033303 s/d 9157100	Olive	1	
K325	5034990	PIPE – FUEL INJECTION – No. 1 cylinder	1	Fitted up to Engine No. 236UE1201C
K326	5034991	Pipe – Fuel injection – No. 2 cylinder	1	
K327	5034992	Pipe – Fuel injection – No. 3 cylinder	1	
K328	5034993	Pipe – Fuel injection – No. 4 cylinder	1	
	5035481 s/d 5034990	Pipe – Fuel injection – No. 1 cylinder	1	Fitted from Engine No. 236UE1202C
	5035482	Pipe – Fuel injection – No. 2 cylinder	1	
	5035483	Pipe – Fuel injection – No. 3 cylinder	1	
	5035484	Pipe – Fuel injection – No. 4 cylinder	1	
K329	5034001	Damper – Pipe vibration	4	
K330	5034002	Plate – Damper	4	
K331	9050118	Bolt	2	
K332	5033791	Nut	2	
		INJECTOR – ASSEMBLY	Not supplied	
K333	5042429	Nozzle – Injector	4	
K334	5042341	Holder	4	
	5060220	Body	4	
	9146180	Dowel 2.92 mm	A/R	
	9146181	Dowel 2.93 mm	A/R	
	9146182	Dowel 2.94 mm	A/R	
	5039027	Nut – Nozzle retaining	4	
	5039029	Spindle	4	
	5042348	Spring	4	
	5060106	Shim	4	
	5042350	Nut – Spring cap	4	
	9029011	Locknut	4	
		Tabwasher	Not supplied	
	5039032	Washer – Locknut	8	
	5039077	Nut – Cap – Nozzle holder	4	
K335	9077086	Washer – Injector seating	4	Fitted up to Engine No. 236UE1201C

ENGINE UNIT – DIESEL – PERKINS 4-236

Plate Ref.	Part Number	DESCRIPTION	No. per Veh.	REMARKS
	5060178 s/d 75061474	INJECTOR – ASSEMBLY	4	Fitted from Engine No. 236UE1202C
	5060179	Nozzle – Injector	4	
	5060180 s/d 75061475	Holder	4	
	5060220	Body	4	
	9146180	Dowel 2-92 mm	A/R	
	9146181	Dowel 2-93 mm	A/R	
	9146182	Dowel 2-94 mm	A/R	
	5039027	Nut – Nozzle retaining	4	
	5060221	Spindle	4	
	5060222	Spring	4	
	5060106	Shim	4	
	5060223	Nut – Spring cap	4	
	5060224	Locknut	4	
		Tabwasher	Not supplied	
	5039032	Washer – Locknut	8	
	5060226	Nut – Cap – Nozzle holder	4	
	9077086	Washer – Injector seating	4	
K336	5034479	Shield – Dust – Injector	4	
K337	5034895	Stud – Injectors to head	8	
K338	9510050 s/d 5221350	Nut	8	
K339	5035096	Pipe – Injector leak off	1	
K340	9159529	Bolt – Banjo – Leak off pipe	4	
K341	5034994	Washer – Banjo bolt	8	
	5032412	Nut – Leak off pipe	1	
	5032356	Olive	1	
K342	5035097 s/d 5035537	PIPE – LEAK OFF PIPE TO FUEL FILTER	1	Fitted up to Engine No. 236UE655
K343	5032412	Nut	2	
K344	5032356	Olive	2	
K345	5035104	Clip	1	
	5035537	PIPE – LEAK OFF PIPE TO FUEL FILTER	1	Fitted from Engine No. 236UE656
	5035538	Nut	2	
	5035539	Olive – Rubber	2	
	5035104	Clip	1	
	5058066	PUMP – FUEL LIFT – ASSEMBLY	1	Supplied in Repair Kit only
L346	5040647	Screw – Top cover fixing	1	
L347	5040648	Washer	1	
L348	5040649	Cover – Top	1	
L349	5040650	Diaphragm – Pulsator	1	
L350	5040651	Housing – Valve	1	
L351	5043688	Valve – Assembly	2	
L352	K.29656	Gasket – Valve seating	2	
L353	5220204 s/d 5058613	Screw – Housing to body	6	
L354	5043908	Body – Assembly	1	
L355	5031040	Oil seal	1	
L356	5031043	Retainer – Oil seal	1	
L357	5040654	Diaphragm – Assembly	* 1	
L358	5040653	Spring – Diaphragm	1	
L359	5040655	Arm – Rocker	1	
L360	5220234	Spring – Rocker arm	1	
L361	5040656	Pin – Rocker arm	1	
L362		Link	*	
L363	5040658	Lever – Priming	1	
L364	5040659	Spring – Lever	1	
L365	5040660	Pin – Retaining	1	
	5040387	Gasket – Engine pad	1	

ENGINE UNIT – DIESEL – PERKINS 4-236

Plate Ref.	Part Number	DESCRIPTION	No. per Veh.	REMARKS
	5058067	KIT – FIRST AID REPAIR	1	Includes items marked *
L366	5034466	Gasket – Pump to block	1	
L367	5032836	Stud	2	
L368	9029200	Nut	2	
L369	5032889	Washer	2	
L370	9156530	Nut – Fuel inlet pipe	1	
L371	9157106 s/d 5220717	Olive	1	
L372	5035098	PIPE – ASSEMBLY – LIFT PUMP TO FILTER	1	
L373	9156530	Nut – To pump	1	
L374	9157106 s/d 5220717	Olive	1	
L375	9156082	Nut – To filter	1	Fitted up to Engine No. 236UE655
L376	9157106 s/d 5220717	Olive	1	
	5035534	PIPE – ASSEMBLY – LIFT PUMP TO FILTER	1	Fitted from Engine No. 236UE656
	5035379	Nut	1	
	5035380	Olive	1	
	5035381	Nut	1	
	5035382	Olive	1	
		NOTE. Pipes fitted from 236UE656 have flared ends and are fitted with Rubber olives.		
	5038159	FILTER – ASSEMBLY – FUEL OIL	1	
L377	5038161	Cover – Assembly	1	
L378	9803046	Plug	1	
L379	9077013	Washer – Plug	1	
L380	9122173	Gasket – Container to cover	1	
L381	9122149	Seal – Element top	1	
L382	9000105	Bolt – Container to cover	1	
L383	9077021	Washer – Bolt	1	
	5038160	Valve – Non return	1	
	K30048	Washer – Valve	1	
L384	5037901	Container – Assembly	1	
L385	5037894	Spring – Element retaining	1	
L386	9067425	Washer – Element spring	1	
L387	5037912	Seal – Element bottom	1	
L388	5037896	Element	1	
		NOTE. 5037896 Element pack also includes 9122173 Gasket.		
L389	5038936	Valve – Non return	1	
L390	9077019	Washer – Valve seating	1	
	19506081 s/d 5220694	Setscrew – Filter to bracket	2	
	9661241 s/d 5221254	Washer	2	
	9510063	Nut	2	
	5035101	BRACKET – FUEL FILTER SUPPORT	1	
	5034608	Setscrew – Bracket to block	2	
	5035106	Setscrew	1	
	9661241 s/d 5221254	Washer	3	
	5035102 s/d 75035747	Spacer	2	
L390/1	5034712	Banjo – Inlet and outlet ports of filter	3	
L390/2	5034713	Bolt – Banjo	3	
L390/3	5032909	Washer – Banjo bolt	3	

ENGINE UNIT – DIESEL – PERKINS 4-236

Plate Ref.	Part Number	DESCRIPTION	No. per Veh.	REMARKS
L391	5035099	PIPE – ASSEMBLY – FILTER TO INJECTION PUMP	1	Fitted up to Engine No. 236UE655
L392	9156082	Nut – Pipe to filter	1	
L393	9157106 s/d 5220717	Olive..	1	
L394	9156530	Nut – Pipe to injection pump	1	
L395	9157106 s/d 5220717	Olive..	1	
	5035535	PIPE – ASSEMBLY – FILTER TO INJECTION PUMP	1	Fitted from Engine No. 236UE656
	5035379	Nut – Pipe to injection pump	1	
	5035380	Olive..	1	
	5035381	Nut – Pipe to filter	1	
	5035382	Olive ..	1	
L396	5035100	PIPE – ASSEMBLY – RETURN – INJECTION PUMP TO FILTER	1	Fitted up to Engine No. 236UE655
L397	9156530	Nut – Pipe to injection pump	1	
L398	9157106 s/d 5220717	Olive..	1	
L399	9156082	Nut – Pipe to filter	1	
L400	9157106 s/d 5220717	Olive..	1	
	5035536	PIPE – ASSEMBLY – RETURN – INJECTION PUMP TO FILTER	1	Fitted from Engine No. 236UE656
	5035379	Nut – Pipe to injection pump	1	
	5035380	Olive..	1	
	5035381	Nut – Injection pump to filter	1	
	5035382	Olive ..	1	
	5035103	Clip – Pipes to rocker cover	1	
	5034485	Spring – Return – Stop control	1	
K401	5034048	Nipple – Stop control cable	1	
	5032887 s/d 9067205	Washer	1	
	39902050	Screw ..	1	
		CABLE – STOP CONTROL		See Accelerator Controls
	5034625	EXHAUSTER – ASSEMBLY	1	
M402	5034202	Body	1	
M403	5034203	Cover – Drive end..	1	
M404	9059016	Grubscrew – Cover	1	
M405	5034682	Gasket – Drive end cover to body	1	
M406	5200187 s/d 5220480	Dowel	2	
M407	9215540	Bolt ..	4	
M408	5034626	Cover – Rear end complete with bush	1	
M409	5034041	Gasket – Rear end cover to body	1	
M410	5200187 s/d 5220480	Dowel	2	
M411	19504061 s/d 5220695	Setscrew	4	
M412	5032888	Washer	4	
M413	9194089	Bearing – Shaft	1	
M414	9102068	Seal – Bearing	2	
M415	5034190	Sleeve	1	
M416	5034204	Rotor and shaft	1	
M417	5034039	Blade – Rotor	4	
M418	9803191	Plug – Blanking – Rotor shaft end	1	
M419	5034206	Plate – Inner – Oil seal retaining	1	
M420	5034205	Plate – Outer	1	
M421		Plate – Name		Not supplied

ENGINE UNIT – DIESEL – PERKINS 4-236

Plate Ref.	Part Number	DESCRIPTION	No. per Veh.	REMARKS
	5034625	EXHAUSTER – ASSEMBLY	1	
M402	5034202	Body	1	
M403	5034203	Cover – Drive end	1	
M404	9059016	Grubscrew – Cover	1	
M405	5034682	Gasket – Drive end cover to body	1	
M406	5200187 s/d 5220480	Dowel	2	
M407	9215540	Bolt	4	
M408	5034626	Cover – Rear end complete with bush	1	
M409	5034041	Gasket – Rear end cover to body	1	
M410	5200187 s/d 5220480	Dowel	2	
M411	19504061 s/d 5220695	Setscrew	4	
M412	5032888	Washer	4	
M413	9194089	Bearing – Shaft	1	
M414	9102068	Seal – Bearing	2	
M415	5034190	Sleeve	1	
M416	5034204	Rotor and shaft	1	
M417	5034039	Blade – Rotor	4	
M418	9803191	Plug – Blanking – Rotor shaft end	1	
M419	5034206	Plate – Inner – Oil seal retaining	1	
M420	5034205	Plate – Outer	1	
M421		Plate – Name		Not supplied
M422	5034248	Gasket – Exhauster to adaptor plate	1	
M423	5034486	Plate – Exhauster adaptor	1	
M424	5034487	Gasket – Plate to timing gear housing	1	
M425	29505132	Stud	4	
M426	5221350 s/d 79510051	Nut	4	
M427	5032886	Washer	4	
M428	5034488	Plate – Thrust – Exhauster drive	2	
M429	19504041 s/d 5220690	Setscrew – Plate to exhauster	4	
M430	5032888	Washer	4	
M431	5034489	Gear – Exhauster drive	1	
		PIPE – LUBRICATING OIL FEED TO EXHAUSTER		See page AF8
	5032066	Union – Pipe to exhauster	1	
	5032412 s/d 3251118	Nut	1	
	5032356	Olive	1	
		Elbow – complete with nut and olive		See Brakes Section

ENGINE AUXILIARIES – DIESEL – PERKINS 4-236

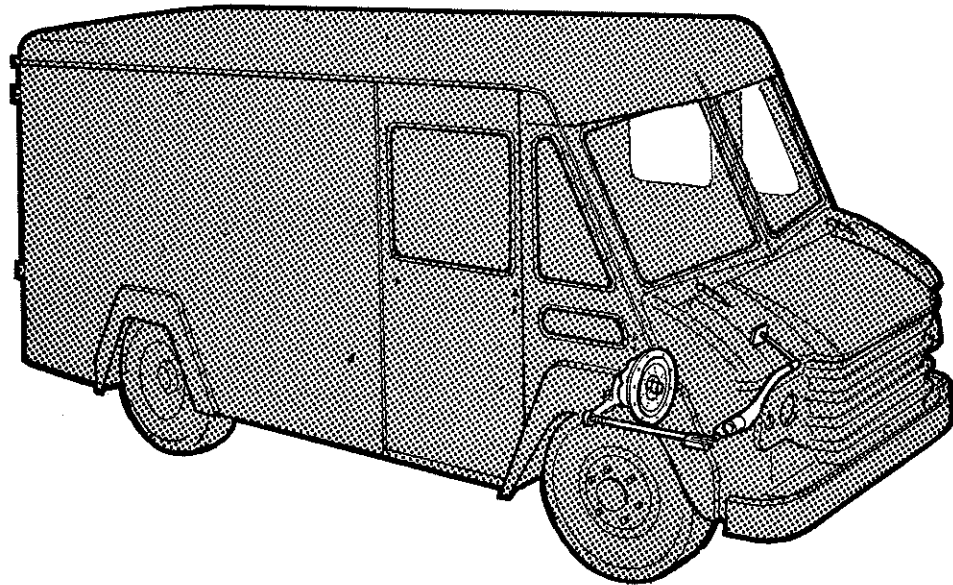
Plate Ref.	Part Number	DESCRIPTION	No. per Veh.	REMARKS
	5034946 s/d 75036046	GASKETS – TOP OVERHAUL SET	1	} Chrome Bore only
	75036009 s/d 75036046	Gaskets	1	
	75035881 s/d 75036041	Gaskets – Top overhaul set	1	
	75036041	Gaskets	1	Plain bore only – Up to 236 UE 3630
	5034887	Gaskets – Bottom overhaul set	1	Plain bore only – From 236 UE 3631
		ALTERNATOR 10AC		} See Electrical Section
		VENTILATOR		
	5035043	Pulley – Alternator	1	
	5044725	BELT – Alternator and fan drive	1	
	19105091	Bolt – Front – Alternator to bracket	1	
	19105122 s/d 79040018	Bolt – Rear	1	
	9067023	Washer	2	
	9661203	Washer	2	
	5221350 s/d 79510051	Nut	2	
	5035110	Bracket – Alternator support	1	Fitted up to Engine No. 236UE1713
	5035105	Stud	2	
	5221254 s/d 79661243	Washer	2	
	9510063	Nut	2	
	75035829	Bracket – Front – Alternator support	1	} Fitted from Engine No. 236UE1714
	75035830	Bracket – Rear	1	
	5220692	Setscrew – Rear bracket to block	2	
	5032886	Washer	2	
	5032889	Washer	2	
	5035083	Lever – Alternator adjusting	1	
	75035747	Spacer	1	
	19506101	Setscrew – Lever to water outlet body	1	
	9082038	Washer	1	
	5221254	Washer	1	
	19605062	Setscrew – Lever to alternator	1	
		ALTERNATOR – 17ACR		} See Electrical Section
		VENTILATOR – ALTERNATOR		
	73151517	Pulley – Alternator	1	
	71802889	BELT – Alternator drive	1	
	79040013	Bolt – Front – Alternator to support bracket	1	
	79040018	Bolt – Rear	1	
	9067027	Washer	2	
	79574053	Nut	2	
	73154085	Bracket – Alternator support	1	
	5032888	Stud – Bracket to timing gear housing	2	
	79067036	Washer	2	
	79574063	Nut	2	
	73155246	Link – Alternator adjusting	1	
	79067421	Spacer – Link to water outlet body	1	
	79040200	Setscrew	1	
	9082038	Washer	1	
	79661243	Washer	1	
	77800015	Setscrew – Link to alternator	1	
	77800335	Washer	1	
	73154086	Bracket – Steady	1	
	79040123	Setscrew – Steady bracket to cylinder block	1	
	9067024	Washer	1	
	79040128	Setscrew – Steady bracket to support bracket	1	
	9067024	Washer	1	
	79574053	Nut	1	

ENGINE AUXILIARIES – DIESEL – PERKINS 4-236

Plate Ref.	Part Number	DESCRIPTION	No. per Veh.	REMARKS
N432	3058175	BRACKET – FRONT – R.H. – ENGINE MOUNTING	1	
N433	3058174	Bracket – Front – L.H.	1	
N434	3019457	Bolt – Bracket to engine	4	
N435	W.15115	Bolt	4	
N436	9660283	Washer	8	
N437	3024808	Mounting – (Rubber) – Engine front	2	
N438	19506073	Setscrew – Mounting to bracket and crossmember	8	
N439	9510061 s/d 5221351	Nut	8	
	9660243 s/d 79660243	Washer	8	
N440	9067108	Washer	4	
N441	3058320	BRACKET – REAR – R.H. – ENGINE MOUNTING	1	
N442	3058321	Bracket – Rear – L.H.	1	
N443	19607092	Setscrew – Brackets to flywheel housing	8	
N444	9660283	Washer	8	
N445	3059716	Mounting – Rubber – Engine rear	2	
N446	W.12872	Washer – Overload	2	
N447	W.12993	Washer – Rebound	2	
N448	19110312	Bolt	2	
N449	9551104	Nut	2	
N450	19506052	Setscrew – Mounting rubber to engine bracket	8	
N451	9660243 s/d 79660243	Washer	8	
N452	5221351	Nut	8	
N453		FLYWHEEL AND CLUTCH HOUSING		See Cylinder Block See Clutch Section
		Cover – Bottom front		
		Cover – Bottom rear		
N454	3025424	TIE ROD – ASSEMBLY	1	
N455	19506081 s/d 5220694	Setscrew – Tie rod to bracket	1	
N456	9664243	Washer	1	
N457	9510061 s/d 5221351	Nut	1	
N458	3024881	Bracket – Tie rod – R.H.D.	1	Non-Slotted
	73154446	Bracket – Tie rod – R.H.D.	1	Slotted
	3024882	Bracket – Tie rod – L.H.D.	1	No longer supplied
N459	9520050	Locknut	2	
N460	9510051 s/d 5221350	Nut	2	
N461	9067031	Washer	2	
	P.56418	Grommet – Assembly	1	
N462		Grommet – Male		Supplied as Assembly only
N463		Grommet – Female		
N464	3018320	Support – Tie rod to crossmember	1	
	19506071	Setscrew	2	
	9660243	Washer	2	
	9510060 s/d 5221351	Nut	2	

SECTION B

CLUTCH AND CONTROLS



CLUTCH AND CONTROLS - PETROL - 4 CYLINDER

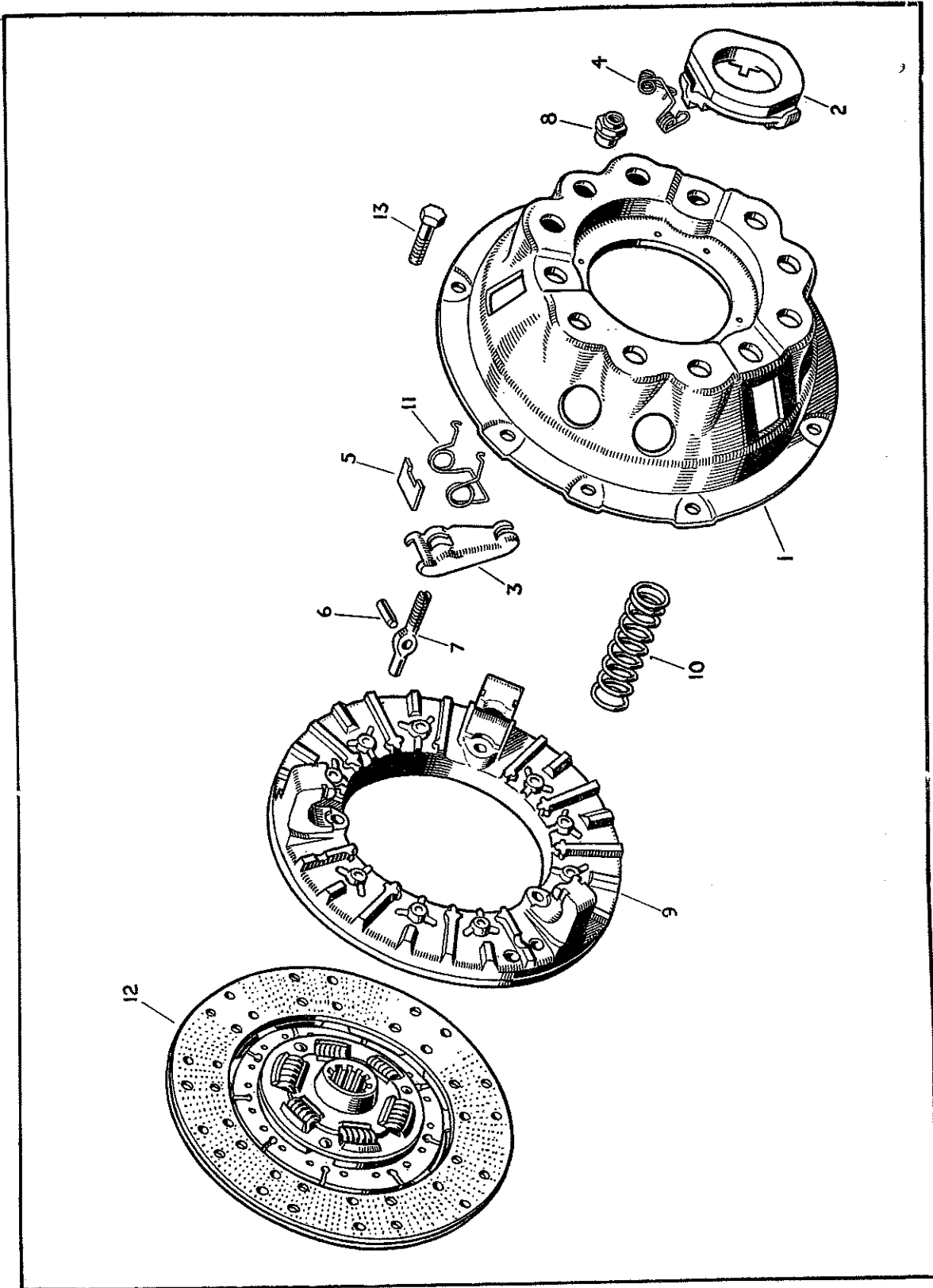


PLATE A - SECTION B

CLUTCH AND CONTROLS - PETROL - 4 CYLINDER

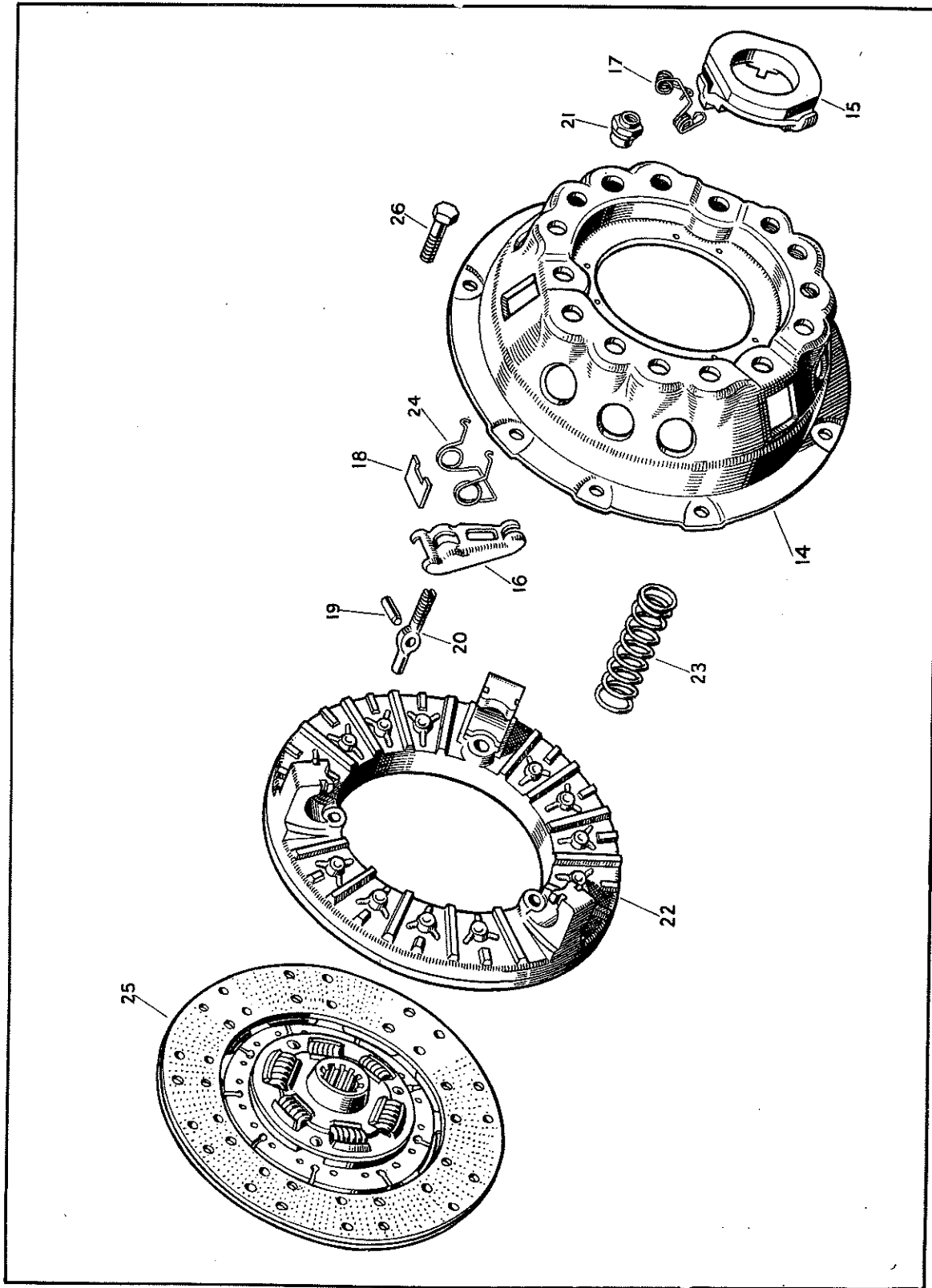


PLATE B - SECTION B

CLUTCH AND CONTROLS - PETROL - 4 CYLINDER

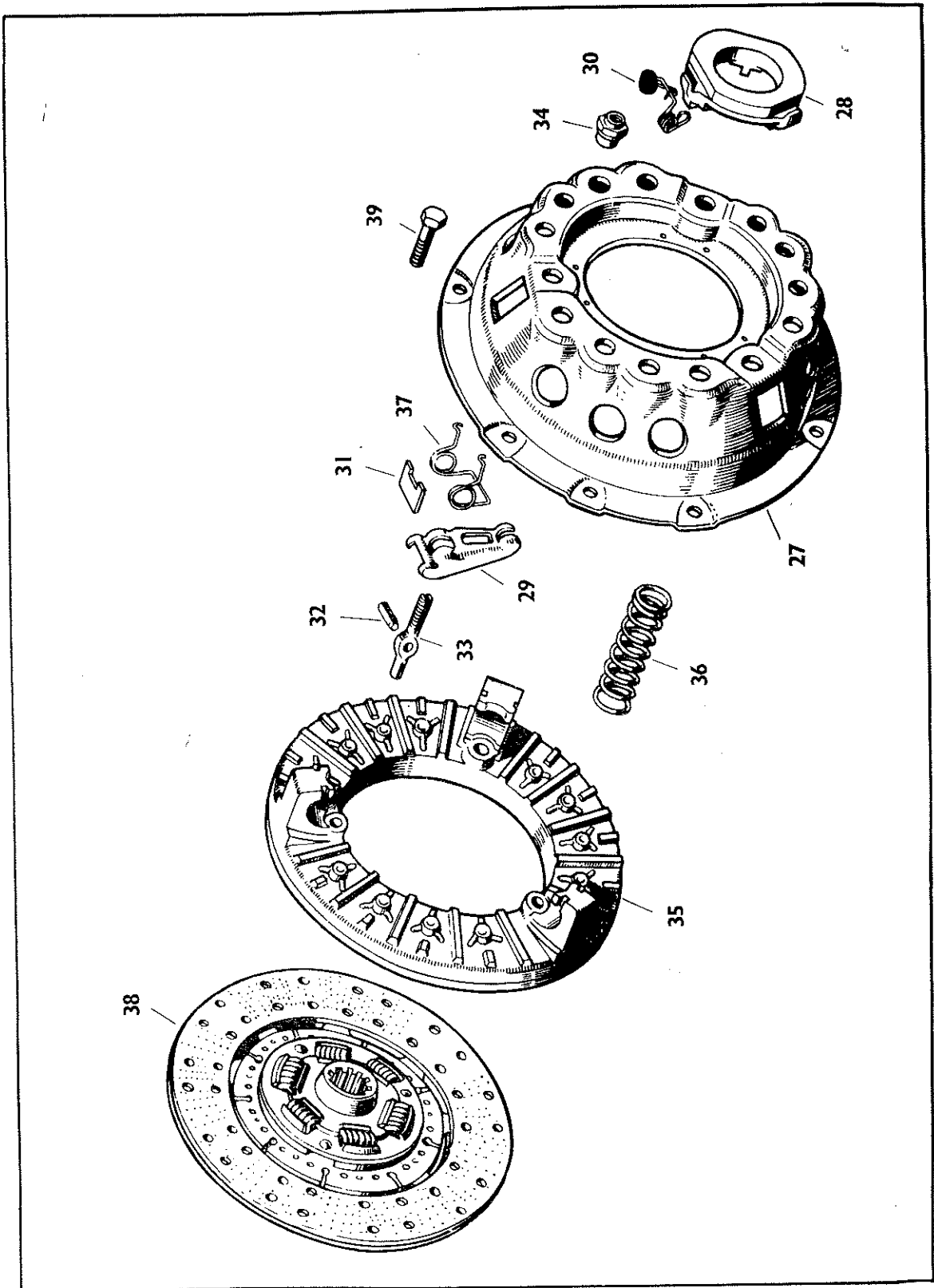


PLATE C - SECTION B

CLUTCH AND CONTROLS - PETROL - 6 CYLINDER

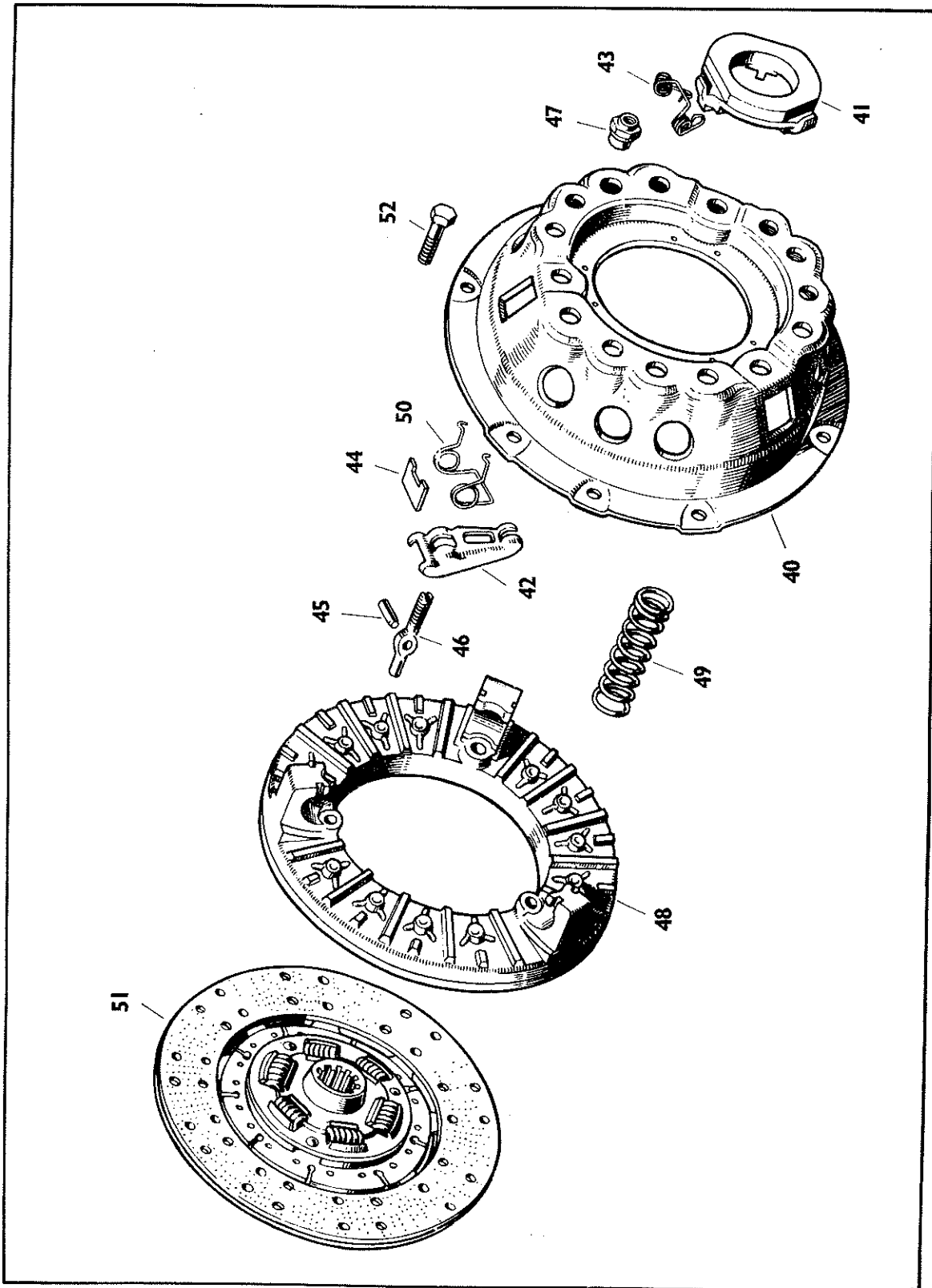


PLATE D - SECTION B

CLUTCH AND CONTROLS - PETROL - LIGHT DIESEL - 23CV

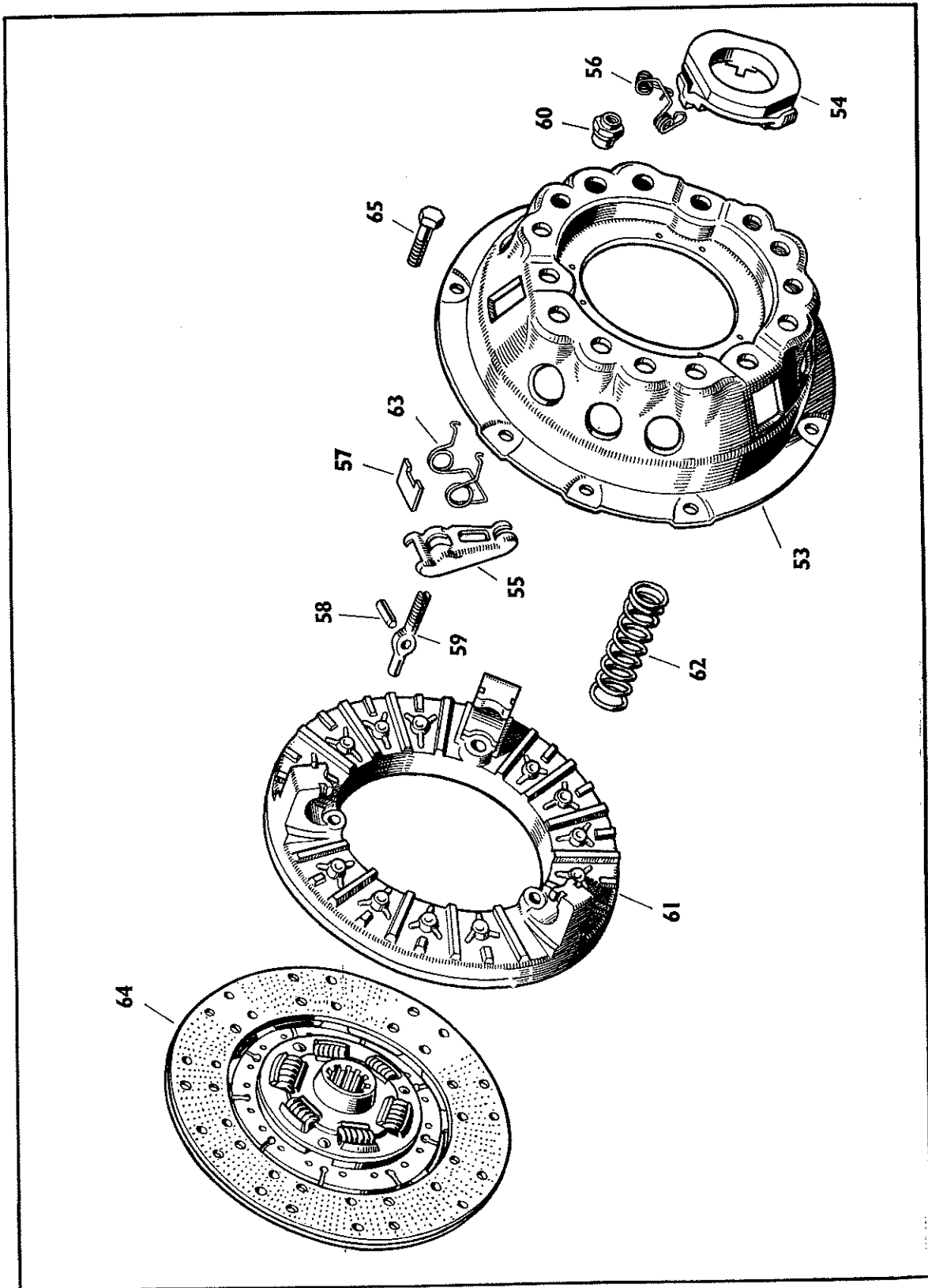


PLATE E - SECTION B.

CLUTCH AND CONTROLS - LIGHT DIESEL - OE138

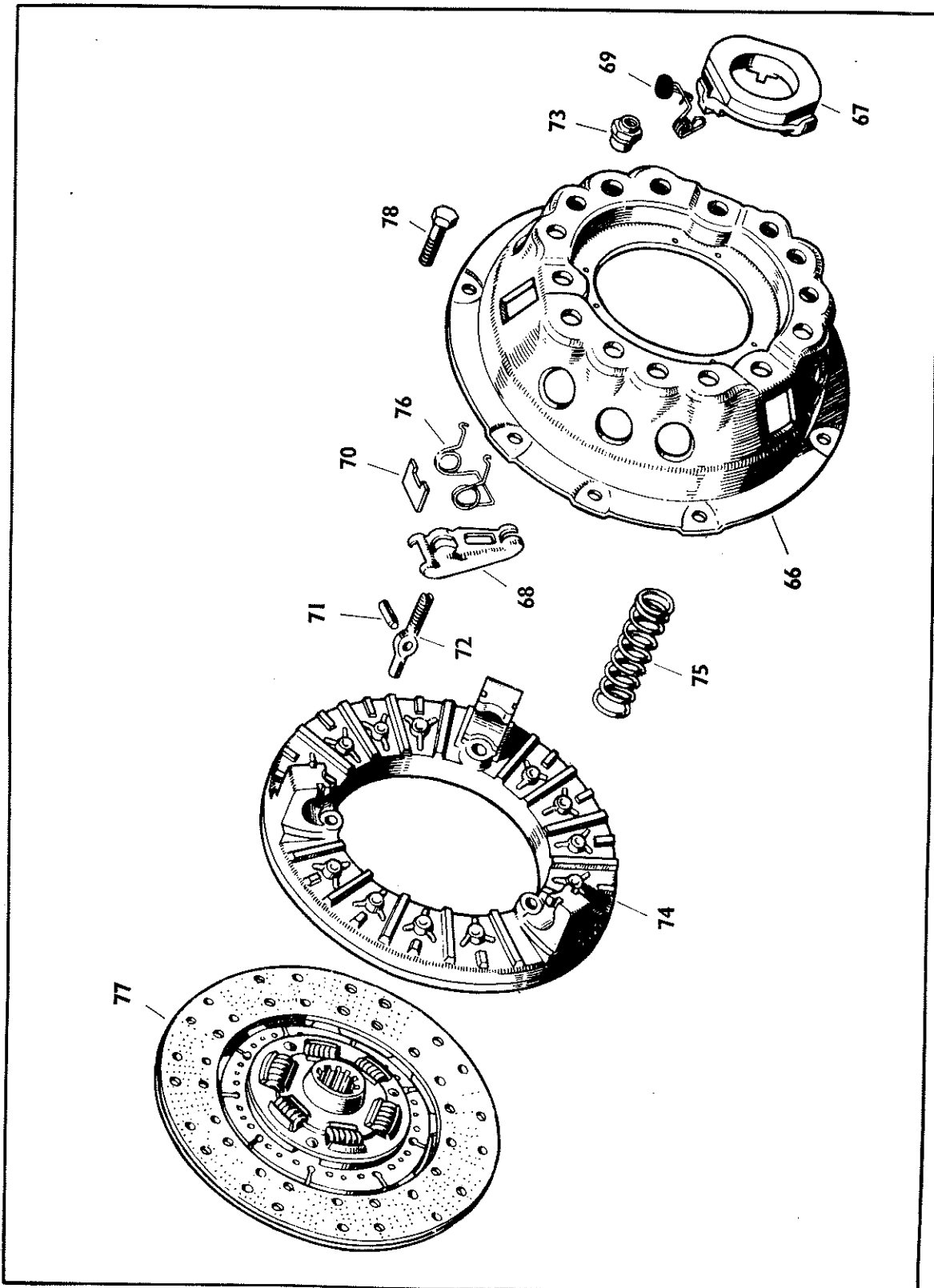


PLATE F - SECTION B

CLUTCH AND CONTROLS - LIGHT DIESEL - OE160

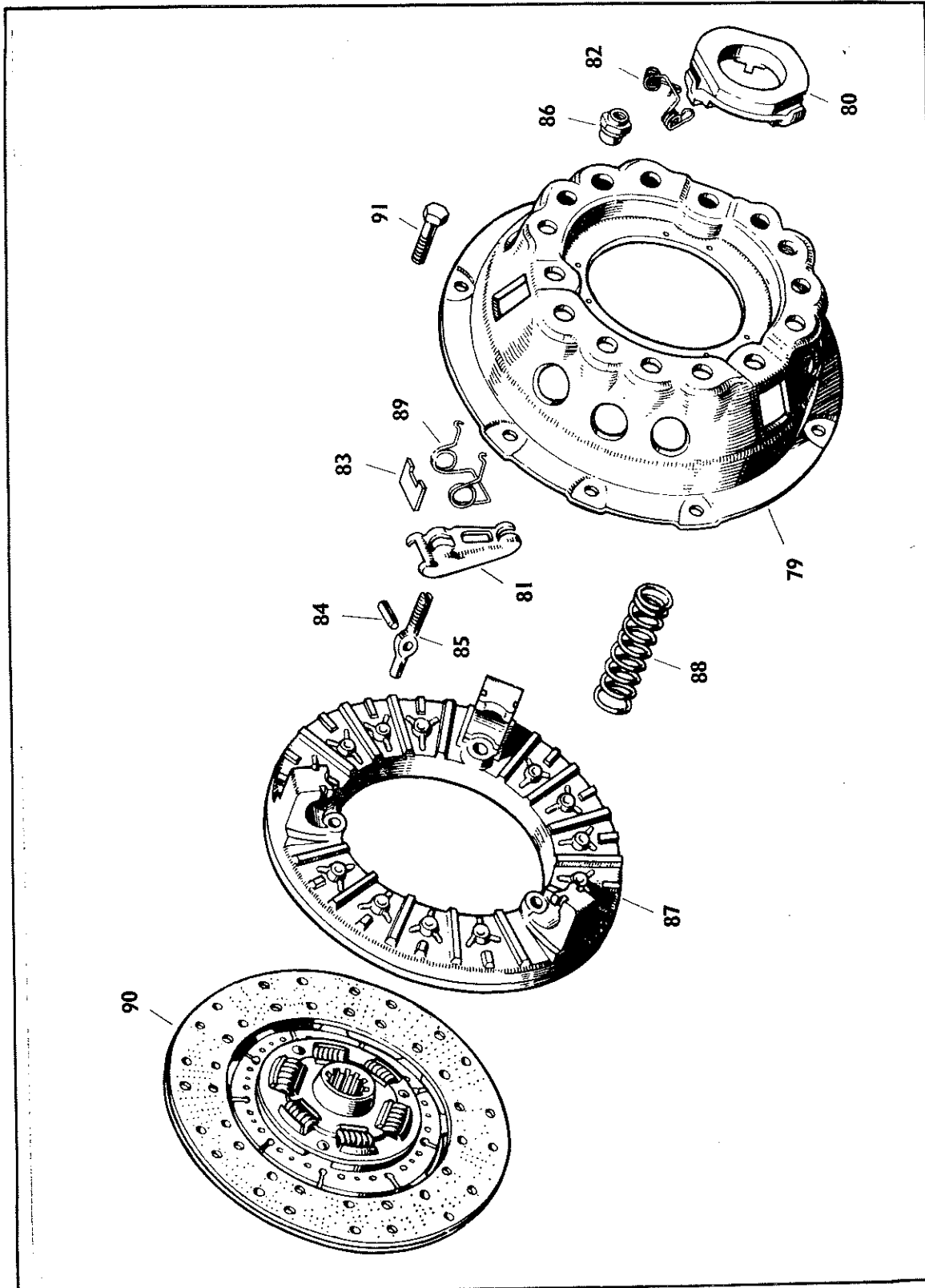


PLATE G - SECTION B

CLUTCH AND CONTROLS - PERKINS DIESEL - 4-203

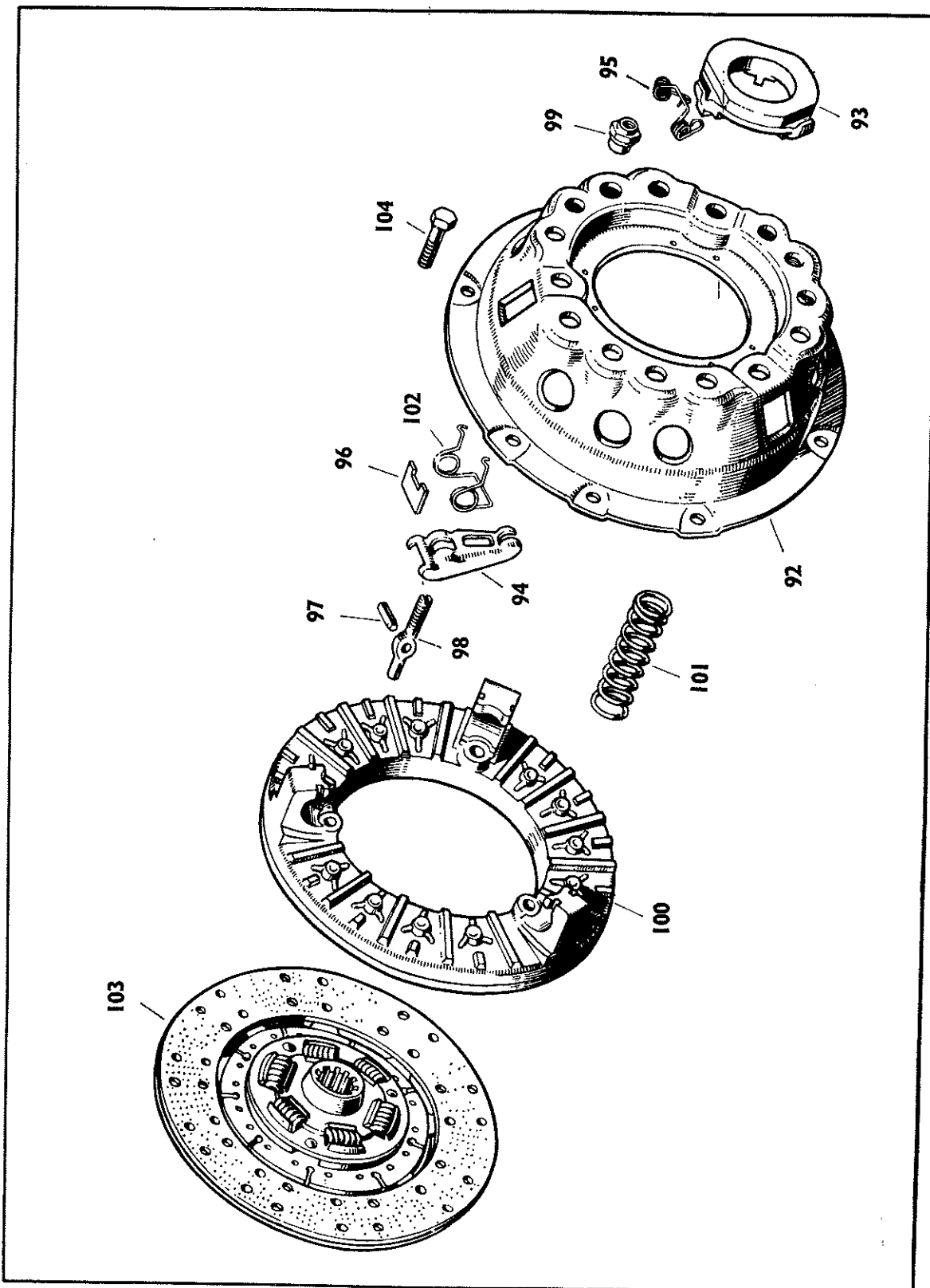


PLATE H - SECTION B

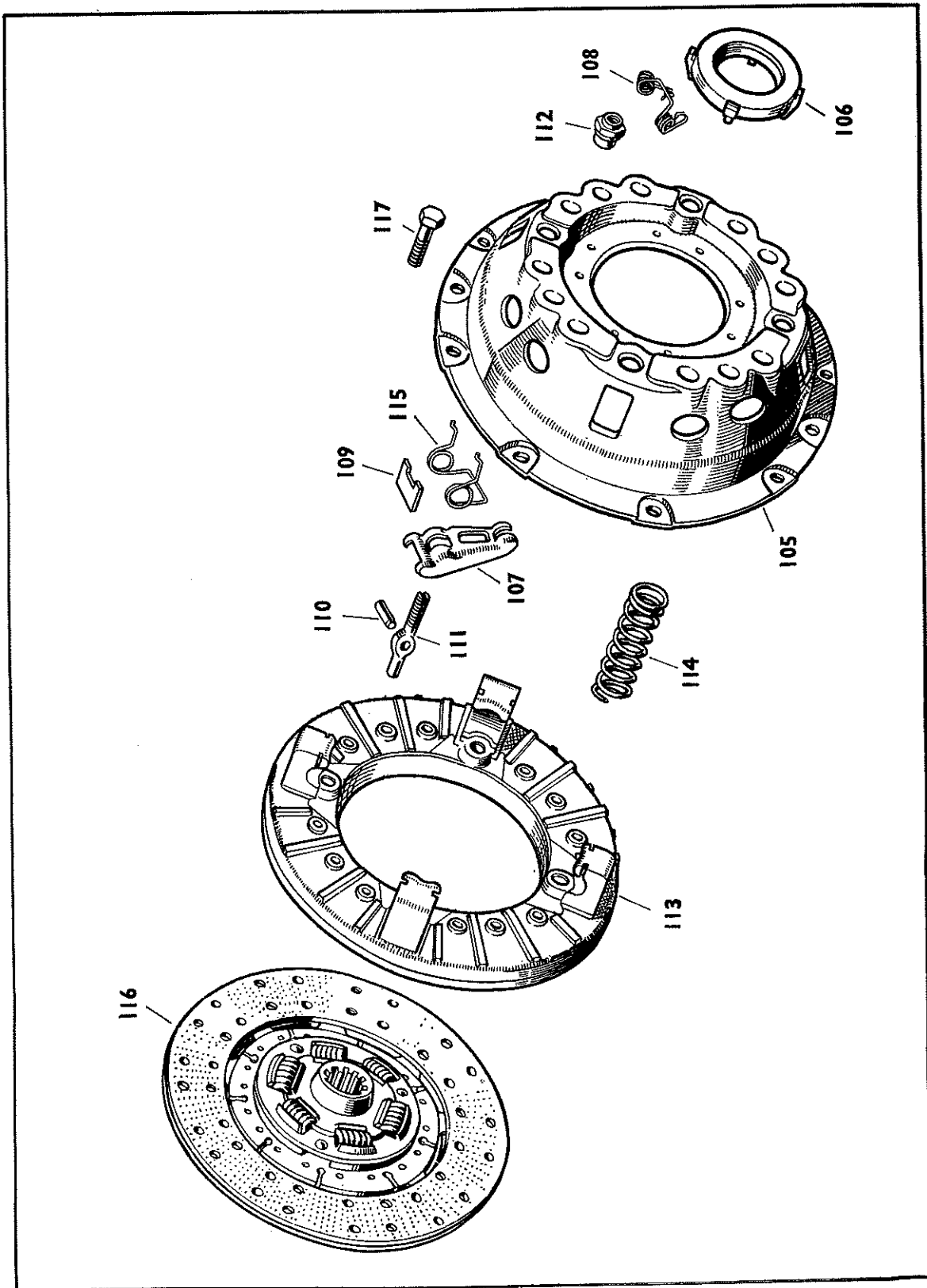


PLATE J - SECTION B

CONTROLS - CLUTCH - ALL MODELS

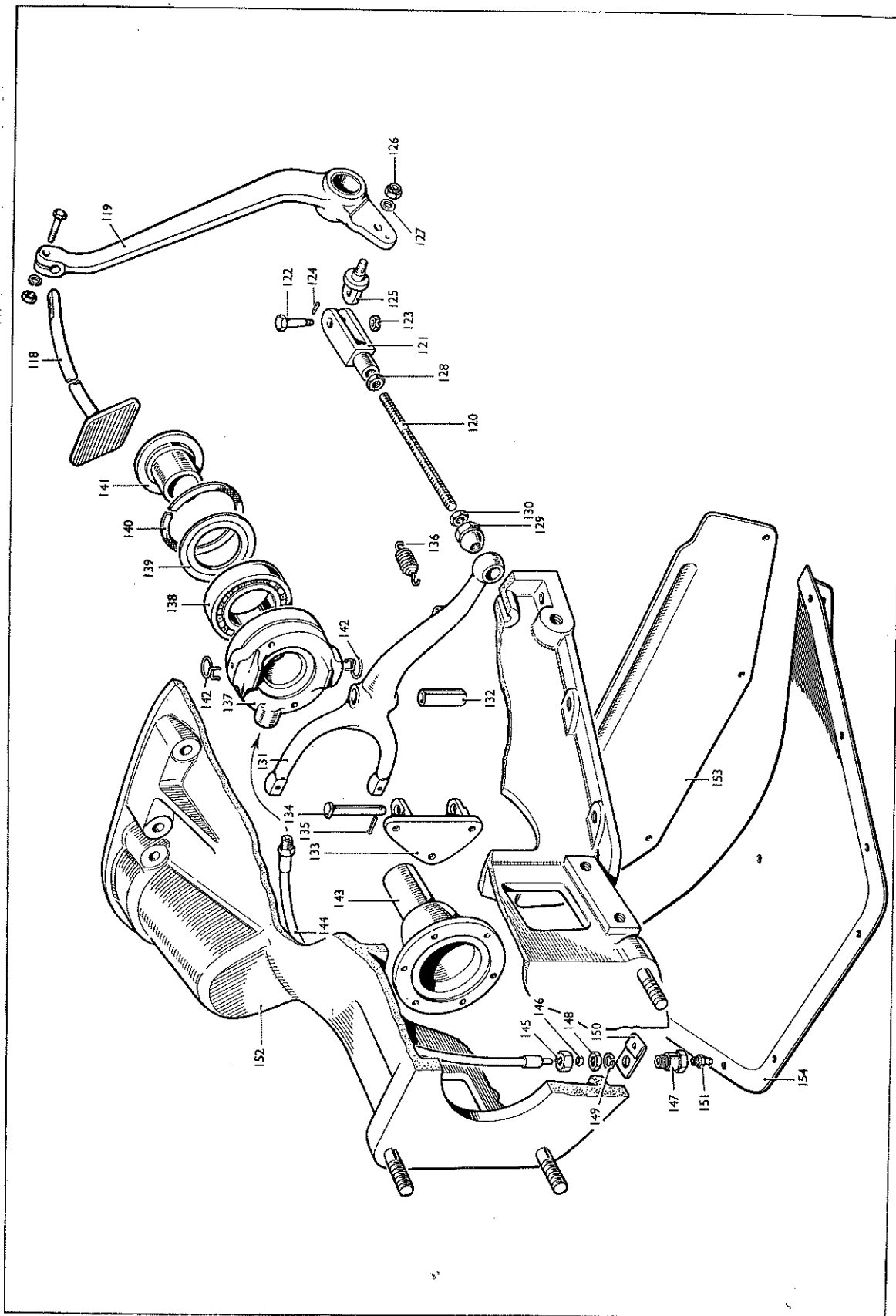


PLATE K - SECTION B

CLUTCH AND CONTROLS – 4 CYLINDER PETROL ENGINE

Plate Ref.	Part Number	DESCRIPTION	No. per Veh.	REMARKS
		NOTE. Replacement Clutch Cover assemblies and Driven Plates are available in part exchange for the original units.		
	P.45058	COVER – CLUTCH 9" (228.6 mm)	1	} See Note 1 Page B2
A1	K.19294	Cover	1	
A2	K.23769	Plate – Release lever	1	
A3	K.22755 s/d 5038988	Lever – Release	3	
A4	K.3877	Retainer – Release lever	3	
A5	K.9058	Strut	3	
A6	K.9056	Pin	3	
	K.22771	Eyebolt and nut	3	
A7	5042336 s/d K.22771	Eyebolt	3	
A8	5040552 s/d K.22771	Nut – Release lever eyebolt	3	
A9	K.10462	Plate – Pressure	1	
A10	K.20866	Spring – Thrust	9	
A11	K.21447	Spring – Anti-rattle	3	
A12	5043517	PLATE – DRIVEN	1	} See Note 2 Page B2
		Package – Facing	Not supplied	
	K.19298 s/d 75221372	Rivet	38	
	9660203	Washer – Clutch to flywheel	6	
A13	19005080	Screw	6	
	P.78900 s/d 9146910	Dowel	2	
	1800294	COVER – CLUTCH 10" (254.0 mm)	1	
B14	K.26228	Cover	1	
B15	K.23769	Plate – Release lever	1	
B16	K.24797	Lever – Release	3	
B17	K.3877	Retainer – Release lever	3	
B18	K.9058	Strut	3	
B19	K.9056	Pin	3	
	K.22771	Eyebolt and nut	3	
B20	5042336 s/d K.22771	Eye bolt	3	
B21	5040552 s/d K.22771	Nut – Release lever eye bolt	3	
B22	K.19504	Plate – Pressure	1	
B23	K.20866	Spring – Thrust	12	
B24	K.21447	Spring – Anti-rattle	3	
B25	1800112	PLATE – DRIVEN	1	
	K.19506	Package – Facing	1	
	K.19298	Rivet	42	
	9660243	Washer – Clutch to flywheel	6	
B26	19006065	Screw	6	
	9146921	Dowel	2	

CLUTCH AND CONTROLS - 4 CYLINDER PETROL ENGINE

Plate Ref.	Part Number	DESCRIPTION	No. per Veh.	REMARKS
	1800294	COVER - CLUTCH 10" (254.0 mm)	1	} See Note 3
C27	K.26228	Cover	1	
C28	K.23769	Plate - Release lever	1	
C29	K.24797	Lever - Release	3	
C30	K.3877	Retainer - Release lever	3	
C31	K.9058	Strut	3	
C32	K.9056	Pin	3	
	K.22771	Eyebolt and nut	3	
C33	5042336 s/d K.22771	Eyebolt	3	
C34	5040552 s/d K.22771	Nut - Release lever eyebolt	3	
C35	K.19504	Plate - Pressure	1	
C36	K.20866	Spring - Thrust	12	
C37	K.21447	Spring - Anti-rattle	3	
C38	1801088 1801092	PLATE - DRIVEN <i>1800112</i>	1	
	K.19506	Package - Facing	1	
	K.19298	Rivet	42	
	9660243	Washer - Clutch to flywheel	6	
C39	19006065	Screw	6	
	9146921	Dowel	2	
NOTE 1. Fitted up to Chassis numbers listed in Note 2.				
NOTE 2. Fitted from Chassis numbers: Plain bore 3023-004523 4023-002304 4035-002484 Chrome bore 3023-004430 4023-002292 4035-002486 Up to Chassis numbers listed in Note 3.				
NOTE 3. Fitted from Chassis numbers: Plain bore 30/40-006265 except 005944, 005946/7, 006004/5, 006010, 006014, 006021/2, 006027/8, 006095, 006260 and 006264. Chrome bore 30/40-006026 except 005985/6/7, 005989, 005995, 006006, 006009, 006012/3, 006018, and 006023/4/5. All 2523 models				

CLUTCH AND CONTROLS – 6 CYLINDER PETROL ENGINE

Plate Ref.	Part Number	DESCRIPTION	No. per Veh.	REMARKS
	1800294	COVER – CLUTCH 10" (254.0 mm)	1	
D40	K.26228	Cover	1	
D41	K.23769	Plate – Release lever	1	
D42	K.24797	Lever – Release	3	
D43	K.3877	Retainer – Release lever	3	
D44	K.9058	Strut	3	
D45	K.9056	Pin	3	
	K.22771	Eyebolt and nut	3	
D46	5042336 s/d K.22771	Eyebolt	3	
D47	5040552 s/d K.22771	Nut – Release lever eyebolt	3	
D48	K.19504	Plate – Pressure	1	
D49	K.20866	Spring – Thrust	12	
D50	K.21447	Spring – Anti-rattle	3	
D51	1800112	PLATE – DRIVEN	1	
	K.19506	Package – Facing	1	
	K.19298	Rivet	42	
	9660243	Washer – Clutch to flywheel	6	
D52	19006065	Screw	6	
	P.78503 s/d 9146920	Dowel	2	

CLUTCH AND CONTROLS – LIGHT DIESEL 23CV and OE138

Plate Ref.	Part Number	DESCRIPTION	No. per Veh.	REMARKS
E53	P.45875 s/d 1800294	COVER – CLUTCH 10" (254-0 mm)	1	} 30/40-006230
E54	K.26228	Cover	1	
E55	K.23769	Plate – Release lever	1	
E56	K.24797	Lever – Release	3	
E57	K.3877	Retainer – Release lever	3	
E58	K.9058	Strut	3	
E59	K.9056	Pin	3	
E60	K.22771	Eyebolt and nut	3	
E61	5042336 s/d K.22771	Eyebolt	3	
E62	5040552 s/d K.22771	Nut – Release lever eyebolt	3	
E63	K.19504	Plate – Pressure	1	
E64	K.12292	Spring – Thrust	12	
E65	K.21447	Spring – Anti-rattle	3	
F66	P.45876 s/d 1801033	PLATE – DRIVEN	1	
F67	K.26229	Package – Facing	1	
F68	K.19298	Rivet	42	
F69	9660243	Washer – Clutch to flywheel	6	
F70	19606061 s/d 5220699	Screw	6	
F71	W.15621	Dowel	2	
F72	1800294	COVER – CLUTCH 10" (254-0 mm)	1	
F73	K.26228	Cover	1	
F74	K.23769	Plate – Release lever	1	
F75	K.24797	Lever – Release	3	
F76	K.3877	Retainer – Release lever	3	
F77	K.9058	Strut	3	
F78	K.9056	Pin	3	
F79	K.22771	Eyebolt and nut	3	
F80	5042336 s/d K.22771	Eyebolt	3	
F81	5040552 s/d K.22771	Nut – Release lever eyebolt	3	
F82	K.19504	Plate – Pressure	1	
F83	K.20866	Spring – Thrust	12	
F84	K.21447	Spring – Anti-rattle	3	
F85	1801033	PLATE – DRIVEN	1	
F86	K.26229	Package – Facing	1	
F87	K.19298	Rivet	42	
F88	19606061 s/d 5220699	Screw – Clutch to flywheel	6	
F89	9660243	Washer	6	
F90	W.15621	Dowel	2	

CLUTCH AND CONTROLS – LIGHT DIESEL OE160

Plate Ref.	Part Number	DESCRIPTION	No. per Veh.	REMARKS
	1800294	COVER – CLUTCH 10" (254.0 mm)	1	
G79	K.26228	Cover	1	
G80	K.23769	Plate – Release lever	1	
G81	K.24797	Lever – Release	3	
G82	K.3877	Retainer – Release lever	3	
G83	K.9058	Strut	3	
G84	K.9056	Pin	3	
	K.22771	Eyebolt and nut	3	
G85	5042336 s/d K.22771	Eyebolt	3	
G86	5040552 s/d K.22771	Nut – Release lever eyebolt	3	
G87	K.19504	Plate – Pressure	1	
G88	K.20866	Spring – Thrust	12	
G89	K.21447	Spring – Anti-rattle	3	
G90	1801033	PLATE – DRIVEN	1	
	K.26229	Package – Facing	1	
	K.19298	Rivet	42	
	9660243	Washer – Clutch to flywheel	6	
G91	19606062	Screw	6	
	W.15621	Dowel	2	

CLUTCH AND CONTROLS – PERKINS DIESEL – 4-203

Plate Ref.	Part Number	DESCRIPTION	No. per Veh.	REMARKS
	1800294	COVER – CLUTCH 10" (254-0 mm)	1	
H92	K.26228	Cover	1	
H93	K.23769	Plate – Release lever	1	
H94	K.24797	Lever – Release	3	
H95	K.3877	Retainer – Release lever	3	
H96	K.9058	Strut	3	
H97	K.9056	Pin	3	
	K.22771	Eyebolt and nut	3	
H98	5042336 s/d K.22771	Eyebolt	3	
H99	5040552 s/d K.22771	Nut – Release lever eyebolt	3	
H100	K19504	Plate – Pressure	1	
H101	K.20866	Spring – Thrust	12	
H102	K.21447	Spring – Anti-rattle	3	
H103	P.45876 s/d 1801033	PLATE – DRIVEN	1	
	71802654	PLATE – DRIVEN	1	
	K.26229	Package – Facing	1	Heavy duty only
	K.19298	Rivet	42	
	9660243	Washer – Clutch to flywheel	6	
H104	19506062 s/d 5220686	Screw	6	
	W.15621	Dowel	2	

CLUTCH AND CONTROLS – PERKINS DIESEL – 4-236

Plate Ref.	Part Number	DESCRIPTION	No. per Veh.	REMARKS
	1801147	COVER – CLUTCH 11" (279.4 mm)	1	
J105	K.19497	Cover	1	
J106	5058020	Plate – Release lever	1	
J107	K.24797	Lever – Release	4	
J108	K.3877	Retainer – Release lever	4	
J109	K.9058	Strut	4	
J110	K.9056	Pin	4	
J111-				
112	K.22770 s/d K18830	Eyebolt and nut – Release lever	4	
J113	K.21552	Plate – Pressure	1	
J114	5058021	Spring – Thrust	12	
J115	K.17454	Spring – Anti-rattle	4	
J116	1801148	PLATE – DRIVEN	1	
	K.20867	Package – Facing	1	
	K.19298	Rivet	42	
	9660243	Washer – Clutch to flywheel	8	
J117	19506082	Screw	8	
	9146920	Dowel	2	

CONTROLS – CLUTCH – ALL MODELS

Plate Ref.	Part Number	DESCRIPTION	No. per Veh.	REMARKS
K118	3018179	STEM – CLUTCH PEDAL – R.H.D. – L.H.D.	1	} See also Section D
K119	3018141	LEVER – CLUTCH – PEDAL – R.H.D.	1	
	5050173	LEVER – CLUTCH PEDAL – L.H.D.	1	
	19106111	Bolt – Pedal stem to lever	1	
	9660243	Washer	1	
	5221351	Nut	1	
	3018172	LEVER AND RELAY SHAFT – L.H.D.	1	
	3019246	BRACKET AND PEDAL SHAFT – R.H.D.	1	
	3019247	BRACKET AND PEDAL SHAFT – L.H.D.	1	
K120	3017704	ROD – CLUTCH OPERATING	1	
K121	W.13491	Fork – Operating rod to clutch pedal lever	1	
K122	W.13632	Pin	1	
	3025908	ROD – CLUTCH OPERATING	1	} KA/C-F – L.H.D.
	W.13491	Fork – Operating rod to clutch pedal lever	1	
	W.13632	Pin	1	
	3020128	ROD – CLUTCH OPERATING	1	} KA/C-B/F – R.H.D.
	3017352	Pin – Operating rod to clutch pedal lever	1	
K123	9540051	Nut	1	} KAD-KA/C-H/L/V/B – R.H.D. and L.H.D.
K124	9830507	Pin – Split	1	
K125	3017703	Pin – Swivel	1	
K126	9551053 s/d 9571053	Nut	1	
K127	9067027	Washer	1	
K128	9520060	Locknut	1	
K129	W.13489	Nut – Spherical – Operating rod to clutch withdrawal lever	1	
K130	9520060	Locknut	1	
K131	3017851	LEVER – CLUTCH WITHDRAWAL	1	
K132	9200023	Bush.. .. .	1	
	3025494	LEVER – CLUTCH WITHDRAWAL	1	} KA/C-B/F – L.H.D.
	9200023	Bush.. .. .	1	
	3020110	LEVER – CLUTCH WITHDRAWAL	1	} KA/C-B/F – R.H.D.
	9200023	Bush.. .. .	1	
K133	3019863	Bracket – Clutch withdrawal lever	1	} KA/C-F
K134	P.19229	Pin – Fulcrum	1	
K135	9830610	Pin – Split	1	
	9664163	Washer – Bracket fixing	3	
	19604601	Screw	2	
	19104114	Screw	1	
K136	W.13114	Spring – Return	1	
	W.13942	Eye-piece – Return spring	1	
	9660163	Washer	1	
	P.102687	Plate – Spring anchor	1	
	9068010	Washer – Spring anchor plate	1	
	19604062	Screw	1	
	3019935	Anchor – Spring	1	} KCH – L.H.D. only From CH.310425
	19104122	Bolt	1	
	9661163	Washer	1	
	9510041	Nut	1	
	3049695	BEARING – CLUTCH WITHDRAWAL	1	} KA/C-H/L/F KAD-KA/C-V/B
	3049696	BEARING – CLUTCH WITHDRAWAL	1	
K137	3049694	Housing	1	}
K138	9188026	Bearing	1	
K139	P.53673	Retainer – Grease	1	
K140	P.53669	Ring – Spring	1	} KA/C-H/L/F KAD-KA/C-V/B
K141	P.94527	Ring – Thrust	1	
	W.15313	Ring – Thrust	1	

CONTROLS – CLUTCH – ALL MODELS

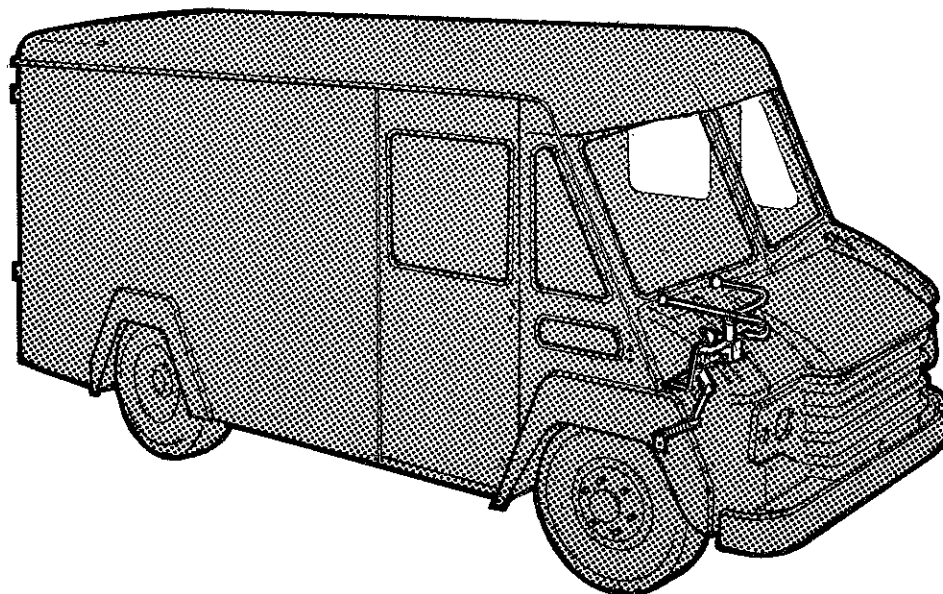
Plate Ref.	Part Number	DESCRIPTION	No. per Veh.	REMARKS
K142	P.94528	Clip – Spring	2	
K143	3049491	GUIDE – CLUTCH RELEASE	1	
	19605081	Screw	3	
	9660203	Washer	3	
K144	3017259	Pipe – Lubricating	1	
K145	9156054	Nut – Lubricating pipe	1	
K146	9157104	Olive	1	
K147	9151601	Adaptor	1	
K148	9029014	Locknut	1	
K149	9661243 s/d 5221254	Washer	1	
K150	3017858	Bracket	1	
K151	9217025	Nipple	1	
	5200369	HOUSING – CLUTCH	1	} 4 Cylinder Petrol engine KA/C-L KAD-KA/C-V KA/C-B KA/C-F
	29808164	Stud – Housing to gearbox	4	
K152	5200368	HOUSING – CLUTCH	1	
	5200366	HOUSING – CLUTCH	1	
	5200367	HOUSING – CLUTCH	1	
	5200776	HOUSING – CLUTCH	1	
	29808164	Stud – Housing to gearbox	4	
	9660323	Washer – Housing to gearbox	4	
	9510080	Nut	4	
	9146142	Dowel – Clutch housing to cylinder block	2	
	9067036	Washer	6	} KA/C-L
	9661241 s/d 5221254	Washer	6	
	19106223	Bolt	4	
	19106283	Bolt	2	
	P.111378	Plate – Cover – Clutch housing – Front – Upper – Early models	1	
	9661163	Washer – Cover plate to clutch housing	5	
	19504031	Bolt	5	
K153	3049880	Plate – Cover – Clutch housing – Lower – Front	1	
K154	3073888	Plate – Cover – Clutch housing – Rear	1	
	19504042 s/d 5221352	Screw – Front cover to rear cover	4	
	9664163	Washer	4	
	9510041	Nut	4	
	9660203	Washer – Rear cover to clutch housing	8	
	19605061 s/d 5220697	Screw	8	
	9660283	Washer – Clutch housing to cylinder block	6	} KAD- KA/C-V
	19607122	Screw	6	
	29807161	Stud	1	
	9660283	Washer	1	
	9510070 s/d 5220704	Nut	1	
	3049690	Plate – Cover – Clutch housing – Front	1	
	3073847	Plate – Cover – Clutch housing	1	
	19504042 s/d 5221352	Screw – Front cover to rear cover	4	
	9664163	Washer	4	
	9510041	Nut	4	
	9660203	Washer – Rear cover to clutch housing	6	
	19605061 s/d 5220697	Screw	6	

CONTROLS – CLUTCH – ALL MODELS

Plate Ref.	Part Number	DESCRIPTION	No. per Veh.	REMARKS
	9146200	PLATE – ADAPTOR – CLUTCH HOUSING – See Engine Unit Dowel – Clutch housing to adaptor plate – From Engine No. 2602898	2	} KA/C-B
	9660203	Washer	7	
	19607122	Screw R.H.D.	7	
	19607122	Screw L.H.D.	5	
	19607142	Screw L.H.D.	2	
	3073847	Plate – Cover – Clutch housing – Rear	1	
	9660163	Washer – Rear cover to adaptor plate	4	
	19604061	Screw	4	
	9660203	Washer – Rear cover to clutch housing	6	
	19605061 s/d 5220697	Screw	6	
	3057985	Plate – Cover – Clutch housing – Lower – Front	1	} KA/C-F
	3059398	Plate – Cover – Clutch housing – Lower – Rear	1	
	19504042 s/d 5221352	Screw – Cover plate to cover plate – Clutch housing	4	
	9660163	Washer	4	
	9510041	Nut	4	
	9660203	Washer – Cover plates to clutch housing	6	
	19605052	Screw	6	

SECTION C

ACCELERATOR, CHOKE AND ENGINE STOP CONTROLS



ACCELERATOR and CHOKE CONTROLS – 4 Cylinder Petrol – R.H.D.

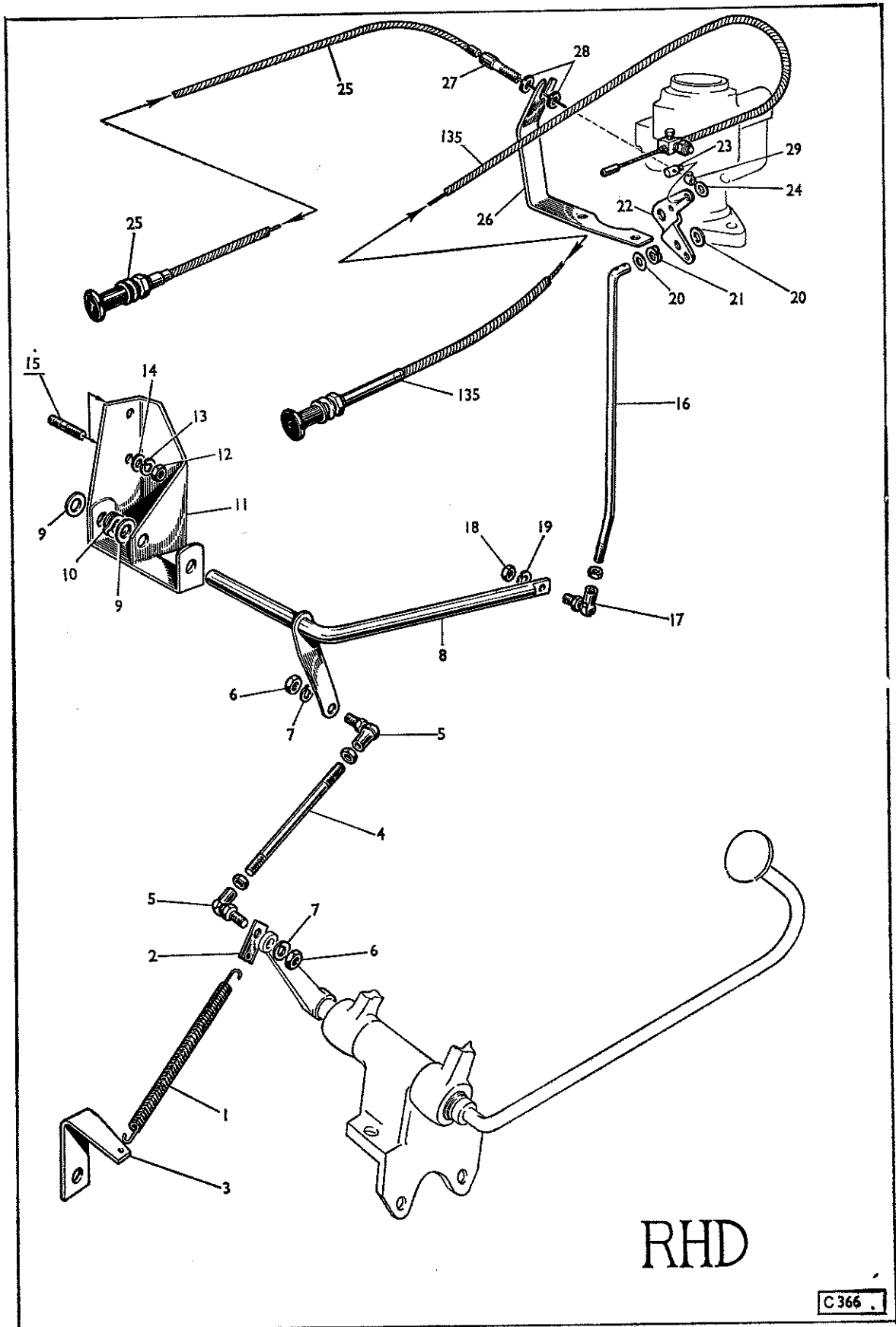


PLATE A – SECTION C

ACCELERATOR and CHOKE CONTROLS – 4 Cylinder Petrol – L.H.D.

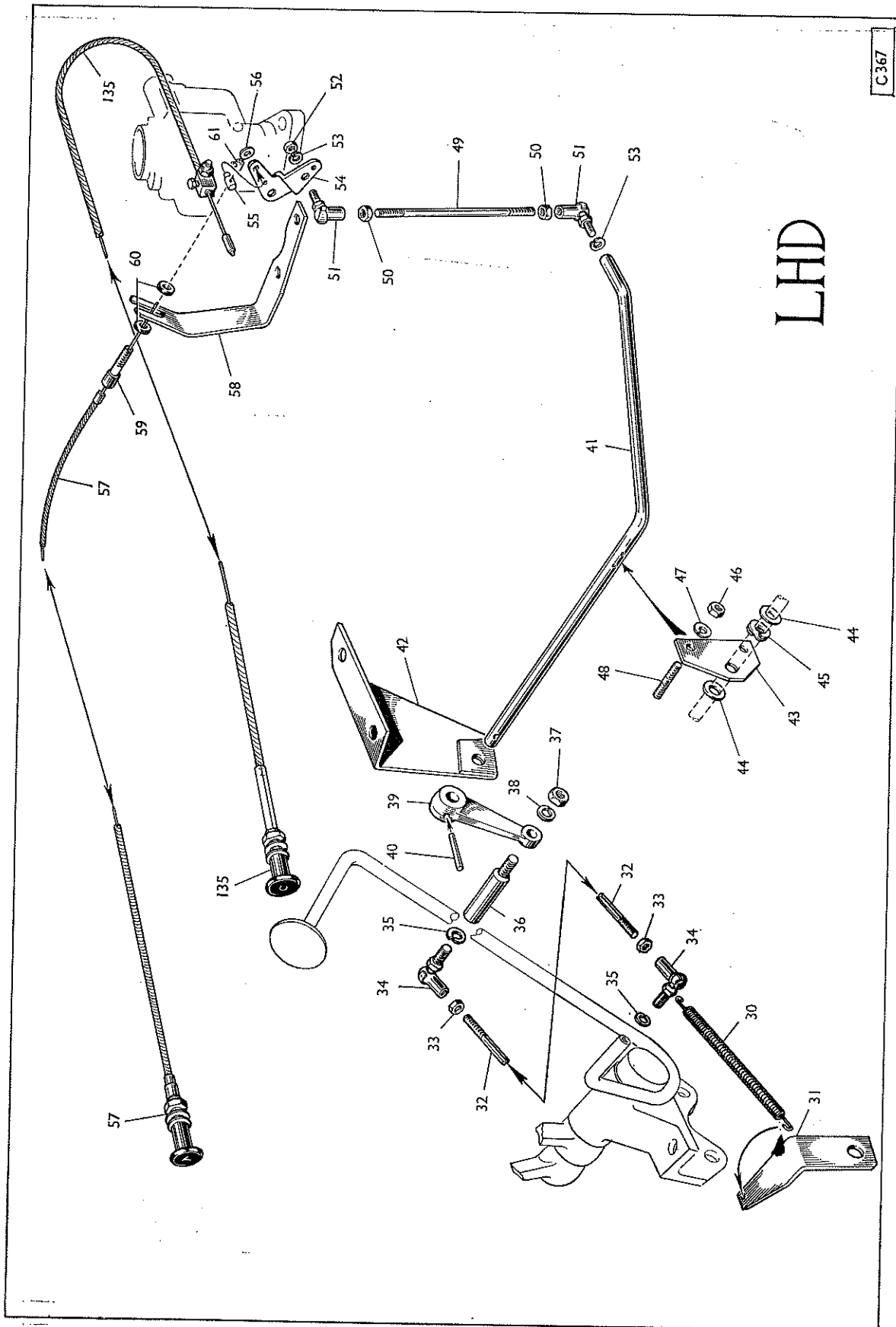


PLATE B – SECTION C

ACCELERATOR and CHOKE CONTROLS – 6 Cylinder Petrol – R.H.D.

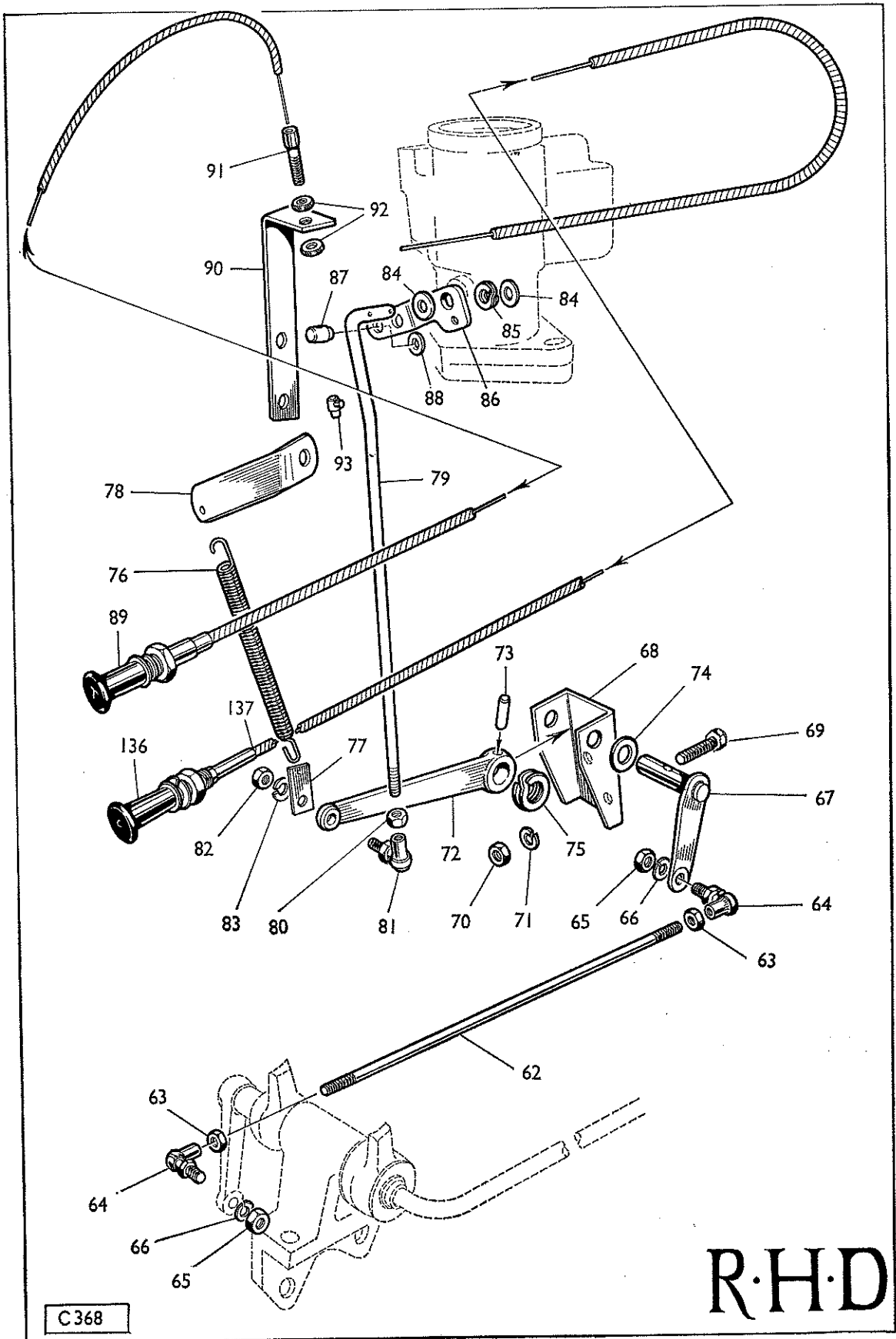


PLATE C – SECTION C

ACCELERATOR and CHOKE CONTROLS - 6 Cylinder Petrol - L.H.D.

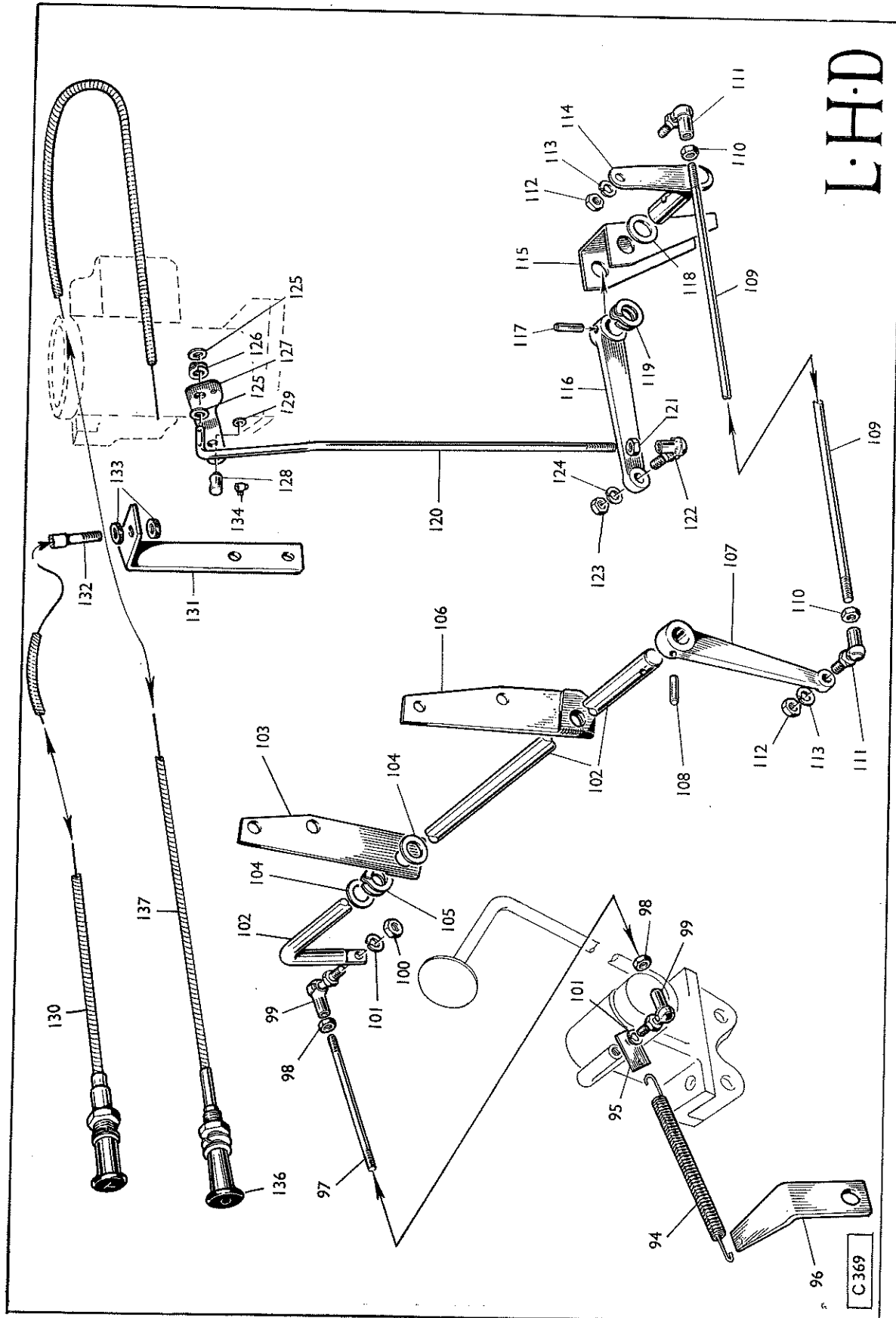


PLATE D - SECTION C

ACCELERATOR and STOP CONTROLS – Diesel – R.H.D.

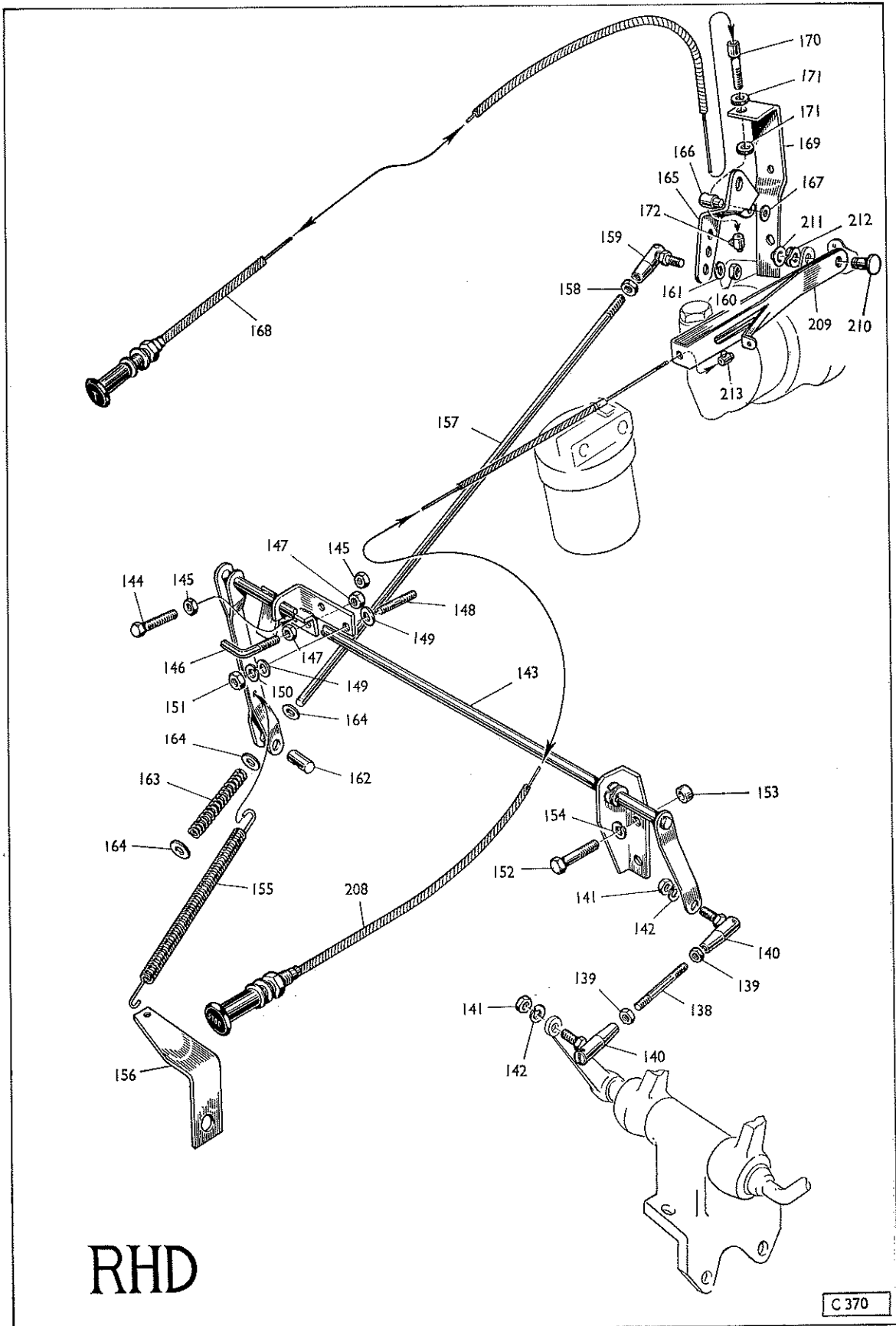


PLATE E – SECTION C

ACCELERATOR and STOP CONTROLS – Diesel – L.H.D.

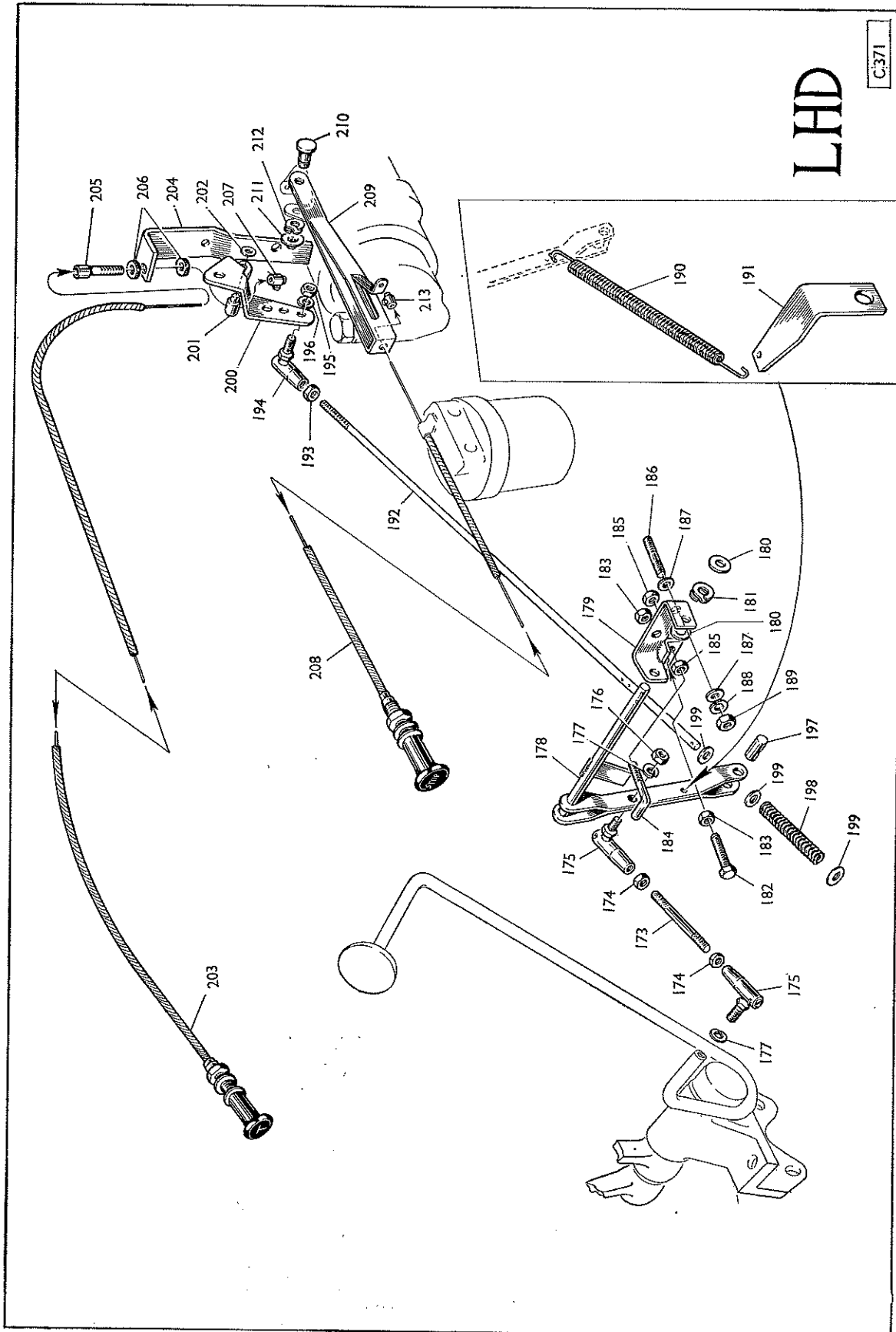


PLATE F – SECTION C

ACCELERATOR, CHOKE and ENGINE STOP CONTROLS

Plate Ref.	Part Number	DESCRIPTION	No. per Veh.	REMARKS
		ACCELERATOR CONTROLS R.H.D. MODELS with 4 CYLINDER PETROL ENGINE Applicable to vehicles built up to chassis numbers :- KAH 3023 003536 KAH 4023 001639 KAH 4035 000296		Check Chassis No.
		Pad – Accelerator pedal Shaft and stem – Accelerator pedal Lever – Accelerator pedal shaft		} See Section D
A1	P.58696	Spring – Pedal return	1	
A2		Plate – Linking return spring to lever	1	
A3	3018254	Bracket – Fixing return spring to frame	1	Not supplied
A4	W.15810	Rod – Connecting pedal lever to relay lever	1	
	9510041	Nut – Locking rod adjustment	2	
A5	1046755	Joint – Ball pin and socket – Rod to levers	2	
A6	9510041	Nut – Joint to levers	2	
A7	9660163	Washer – Spring	2	
A8	3050246	Relay – Shaft and levers – Rod to rod	1	
A9	9067046	Washer – Plain	2	
A10	9086009	Washer – Spring	1	
	9830606	Pin – Split	1	
A11	3051882	Bracket – Support for relay	1	
A12	9600042	Nut – Securing bracket	2	
A13	9661163	Washer – Spring	2	
A14	9067017	Washer – Plain	2	
A15	29900007	Stud	2	
A16	3018274	Rod – Connecting relay lever to carburettor throttle lever	1	
	9510041	Nut – Locking rod adjustment	1	
A17	1046755	Joint – Ball pin and socket – Rod to relay lever	1	
A18	9510041	Nut – Joint to lever	1	
A19	9660163	Washer – Spring	1	
	9830606	Pin – Split – Retaining rod to throttle lever	2	
A20	9067046	Washer – Plain	2	
A21	9086009	Washer – Spring	1	
A22	W.16687	Lever – Carburettor throttle	1	
A23	W.14967	Peg – Trunnion for hand throttle cable	1	
A24	9067000	Washer – Plain – Trunnion peg	1	
A25	3018739	Cable assembly – Hand throttle control	1	
A26	W.48064	Bracket – Outer cable abutment	1	
A27	P.60586	Abutment – Adjustable sleeve for outer cable	1	
A28	P.60587	Nut – Locking adjustable abutment sleeve	2	
A29	P.58603	Stop – Inner cable	1	

ACCELERATOR, CHOKE and ENGINE STOP CONTROLS

Plate Ref.	Part Number	DESCRIPTION	No. per Veh.	REMARKS
		ACCELERATOR CONTROLS R.D.H. MODELS with 4 CYLINDER PETROL ENGINE		Check Chassis No.
		Applicable to vehicles built from chassis numbers :- KAH 3023 003537 KAH 4023 001640 KAH 4035 000297		
		Pad – Accelerator pedal Shaft and stem – Accelerator pedal Lever – Accelerator pedal shaft		} See Section D
P.58696		Spring – Pedal return	1	
3018254		Plate – Linking return spring to lever Bracket – Fixing return spring to frame	1 1	
W.15623		Rod – Connecting pedal lever to relay lever	1	
9510041		Nut – Locking rod adjustment	2	
1046755		Joint – Ball pin and socket	2	
9510041		Nut – Joint to levers	2	
9660163		Washer – Spring	2	
3019528		Bracket – With pivot pin – Relay support to manifold	1	
3051868		Lever – Relay for control rods	1	
3019527		Arm – Relay lever	1	
W.16954		Clip – Retaining lever to pivot pin	1	
3019531		Rod – Relay lever to carburettor throttle lever	1	
9510041		Nut – Locking rod adjustment	2	
1046755		Joint – Ball pin and socket – Rod to levers	2	
9510041		Nut – Joints to levers	2	
9660163		Washer – Spring	2	
W.16686		Lever – Carburettor throttle	1	
9116046		Grommet – Blanking redundant hole for hand throttle	1	

ACCELERATOR, CHOKE and ENGINE STOP CONTROLS

Plate Ref.	Part Number	DESCRIPTION	No. per Veh.	REMARKS
		ACCELERATOR CONTROLS L.H.D. MODELS with 4 CYLINDER PETROL ENGINE		Check Chassis No.
		Applicable to vehicles built up to chassis numbers:- KAH 3023 – 003181 plus 003183/7, 003191/2 and 003194 KAH 4023 – 001486 plus 001488, 001490 and 001496 KAH 4035 – 000247.		
		Pad – Accelerator pedal		} See Section D
		Shaft – Accelerator pedal		
B30	P.58696	Spring – Pedal return	1	
B31	3018254	Bracket – Fixing spring to frame	1	
B32	W.14917	Rod – Connecting pedal to cross shaft lever extension	1	
B33	9510041	Nut – Locking rod adjustment	2	
B34	1046755	Joint – Ball pin and socket – Rod to levers	2	
B35	9660163	Washer – Spring	2	
B36	3018235	Extension – Cross shaft lever	1	
B37	9510041	Nut – Securing extension to lever	1	
B38	9660163	Washer – Spring	1	
B39	3018276	Lever – Cross shaft	1	
B40	9843414	Pin – Securing lever to cross shaft	1	
B41	3050250	Cross shaft	1	
B42	3050251	Bracket – Cross shaft support – L.H.	1	
B43	3018275	Bracket – Cross shaft support – R.H.	1	
	9830606	Pin – Split – Retaining cross shaft to R.H. bracket	2	
B44	9067046	Washer – Plain	2	
B45	9086009	Washer – Spring	1	
B46	9600042	Nut – R.H. support bracket fixing	2	
B47	9661163	Washer – Spring	2	
B48	29900007	Stud	2	
B49	3018277	Rod – Connecting cross shaft to carburettor throttle lever	1	
B50	9510041	Nut – Locking rod adjustment	2	
B51	1046755	Joint – Ball pin and socket – Rod to levers	2	
B52	9510041	Nut – Joint to lever	1	
B53	9660163	Washer – Spring	2	
B54	W.16687	Lever – Carburettor throttle	1	
B55	W.14967	Peg – Trunnion for hand throttle cable	1	
B56	9067000	Washer – Plain – Trunnion peg	1	
B57	3018719	Cable assembly – Hand throttle control	1	
B58	W.48064	Bracket – Outer cable abutment	1	
B59	P.60586	Abutment – Adjustable sleeve for outer cable	1	
B60	P.60587	Nut – Locking adjustable abutment sleeve	2	
B61	P.58603	Stop – Inner cable	1	

ACCELERATOR, CHOKE and ENGINE STOP CONTROLS

Plate Ref.	Part Number	DESCRIPTION	No. per Veh.	REMARKS
		ACCELERATOR CONTROLS L.H.D. MODELS with 4 CYLINDER PETROL ENGINE		Check chassis No.
		Applicable to vehicles built from chassis numbers :- KAH 3023 - 003195 plus 003182, 003188/90 and 003193 KAH 4023 - 001497 plus 001487, 001489 and 001491/5 KAH 4035 - 000248.		
		Pad - Accelerator pedal		} See Section D
		Shaft - Accelerator pedal		
P.58696	Spring - Pedal return	1	
3018254	Bracket - Fixing return spring to frame	1	
W.14917	Rod - Pedal lever to relay lever	1	
9510041	Nut - Locking rod adjustment	2	
1046755	Joint - Ball pin and socket	2	
9510041	Nut - Joint to levers	2	
9660163	Washer - Spring	2	
P.91571	Lever - Relay	1	
9843414	Pin - Lever to shaft	1	
3053765	Cross shaft - Relay	1	
9830606	Pin - Split - Retaining cross shaft to support bracket	2	
9067046	Washer - Plain	2	
9086009	Washer - Spring	1	
3050251	Bracket - L.H. support for cross shaft	1	
3018275	Bracket - R.H. support for cross shaft	1	
29900007	Stud - Fixing support bracket	2	
9600042	Nut	2	
9661163	Washer - Spring	2	
3018277	Rod - Cross shaft lever to carburettor throttle lever	1	
9510041	Nut - Locking rod adjustment	2	
1046755	Joint - Ball pin and socket - Rod to levers	2	
9510041	Nut - Joint to levers	2	
9660163	Washer - Spring	2	
W.16686	Lever - Carburettor throttle	1	
9116046	Grommet - Blanking redundant hole for hand throttle	1	

ACCELERATOR, CHOKE and ENGINE STOP CONTROLS

Plate Ref.	Part Number	DESCRIPTION	No. per Veh.	REMARKS
ACCELERATOR CONTROLS				
R.H.D. MODELS with 6 CYLINDER PETROL ENGINE				
		Pad – Accelerator pedal		} See Section D
		Shaft and stem – Accelerator pedal		
		Lever – Accelerator pedal shaft		
C62	W.15203	Rod – Connecting pedal lever to relay lever	1	
C63	9510041	Nut – Locking rod adjustment	2	
C64	1046755	Joint – Ball pin and socket – Rod to levers	2	
C65	9510041	Nut – Joint to levers	2	
C66	9660163	Washer – Spring	2	
C67	3018260	Relay – Shaft and lever	1	
C68	3018263	Bracket – Support for relay	1	
C69	19504052	Screw – Support bracket securing	2	
C70	9510041	Nut	2	
C71	9660163	Washer – Spring	2	
C72	P.93120	Lever – 4.75" (12.06 cm.) centres – Relay to throttle rod	1	} Check dimension when ordering
	P.93121	Lever – 5.75" (14.6 cm.) centres – Relay to throttle rod	1	
C73	9843414	Pin – Fixing lever to relay shaft	1	
C74	9067046	Washer – Plain	1	
C75	9086009	Washer – Spring	1	
C76	P.58696	Spring – Lever return	1	Not supplied
C77		Plate – Linking spring to lever	1	
C78	3019815	Bracket – Return spring fixing	1	
C79	3018269	Rod – Connecting lever to carburettor throttle lever	1	
C80	9510041	Nut – Locking rod adjustment	1	
C81	1046755	Joint – Ball pin and socket	1	
C82	9510041	Nut – Joint to lever	1	
C83	9660163	Washer – Spring	1	
	9830406	Pin – Split – Securing rod to throttle lever	2	
C84	9067015	Washer – Plain	2	
C85	9086003	Washer – Spring	1	
C86	3018272	Lever – Carburettor throttle	1	
C87	W.14967	Peg – Trunnion for hand throttle cable	1	
C88	9067000	Washer – Plain	1	
C89	3018719	Cable assembly – Hand throttle control	1	Not supplied
C90		Bracket – Outer cable abutment	1	
	19604052	Screw – Fixing bracket to carburettor	2	
	9661163	Washer – Spring	2	
C91	P.60586	Abutment – Adjustable sleeve for outer cable	1	
C92	P.60587	Nut – Locking adjustable abutment sleeve	2	
C93	P.58603	Stop – Inner cable	1	

ACCELERATOR, CHOKE and ENGINE STOP CONTROLS

Plate Ref.	Part Number	DESCRIPTION	No. per Veh.	REMARKS
ACCELERATOR CONTROLS L.H.D. MODELS with 6 CYLINDER PETROL ENGINE				
Applicable to vehicles built up to chassis numbers:- KAL 3023 - 003181 plus 003183/7, 003191/2 and 003194. KAL 4023 - 001486 plus 001488, 001490 and 001496. KAL 4035 - 000247 KAL 6035 - 000313				
		Pad - Accelerator pedal		} See Section D
		Shaft - Accelerator pedal		
D94	P.58696	Spring - Pedal return	1	
D95	P.91781	Plate - Linking return spring to ball pin	1	
D96	3018254	Bracket - Return spring fixing	1	
D97	3018270	Rod - Pedal lever to cross shaft	1	
D98	9510041	Nut - Locking rod adjustment	2	
D99	1046755	Joint - Ball pin and socket	1	
D100	9510041	Nut - Joint to lever	1	
D101	9660163	Washer - Spring	2	
D102	3018265	Cross shaft	1	
D103		Bracket - Support L.H. for cross shaft	1	Not supplied
	9830606	Pin - Split - Retaining cross shaft to support bracket	2	
D104	9067046	Washer - Plain	2	
D105	9086009	Washer - Spring	1	
D106		Bracket - Support R.H. for cross shaft	1	Not supplied
	19505062	Screw - Fixing support bracket	2	
	9660203	Washer - Spring	2	
D107	P.93120	Lever - Cross shaft to rod	1	
D108	9843414	Pin - Fixing lever to cross shaft	1	
D109	3018268	Rod - Cross shaft lever to relay	1	
D110	9510041	Nut - Locking rod adjustment	2	
D111	1046755	Joint - Ball pin and socket - Rod to levers	2	
D112	9510041	Nut - Joint to levers	2	
D113	9660163	Washer - Spring	2	
D114	3018260	Relay - Lever and shaft	1	
D115	3018263	Bracket - Support for relay	1	
	19504052	Screw - Fixing support bracket	2	
	9660163	Washer - Spring	2	
	9510041	Nut	2	
D116	P.93120	Lever - Relay to rod	1	
D117	9843414	Pin - Fixing lever to relay shaft	1	
D118	9067046	Washer - Plain	1	
D119	9086009	Washer - Spring	1	
D120	3018269	Rod - Relay lever to carburettor throttle lever	1	
D121	9510041	Nut - Locking rod adjustment	1	
D122	1046755	Joint - Ball pin and socket	1	
D123	9510041	Nut - Joint to lever	1	
D124	9660163	Washer - Spring	1	
	9830406	Pin - Split - Retaining rod to throttle lever	2	
D125	9067015	Washer - Plain	2	
D126	9086003	Washer - Spring	1	

ACCELERATOR, CHOKE and ENGINE STOP CONTROLS

Plate Ref.	Page Number	DESCRIPTION	No. per Veh.	REMARKS
ACCELERATOR CONTROLS L.H.D. MODELS with 6 CYLINDER PETROL ENGINE – continued				
D127	3018272	Lever – Carburettor throttle	1	
D128	W.14967	Peg – Trunnion for hand throttle cable	1	
D129	9067000	Washer – Plain	1	
D130	3018719	Cable assembly – Hand throttle control	1	
D131	1214604	Bracket – Outer cable abutment	1	
	19604052	Screw – Fixing bracket to carburettor	2	
	9661163	Washer – Spring	2	
D132	P.60586	Abutment – Adjustable sleeve for outer cable	1	
D133	P.60587	Nut – Locking adjustable abutment sleeve	2	
D134	P.58603	Stop – Inner cable	1	

ACCELERATOR, CHOKE and ENGINE STOP CONTROLS

Plate Ref.	Part Number	DESCRIPTION	No. per Veh.	REMARKS
		<p style="text-align: center;">ACCELERATOR CONTROLS L.H.D. MODELS with 6 CYLINDER PETROL ENGINE</p> <p>Applicable to vehicles built from chassis numbers:- KAL 3023 – 003195 plus 003182, 003188/90 and 003193 KAL 4023 – 001497 plus 001487, 001489 and 001491/5 KAL 4035 – 000248 KAL 6035 – 000314</p>		Check Chassis No.
		Pad – Accelerator pedal		} See Section D
		Shaft – Accelerator pedal		
P.58696	Spring – Pedal return	1	Not supplied
3018254	Plate – Linking return spring to ball pin	1	
		Bracket – Return spring fixing	1	
3018270	Rod – Pedal lever to cross shaft	1	
9510041	Nut – Locking rod adjustment	2	
1046755	Joint – Ball pin and socket	2	
9510041	Nut – Joint to lever	1	
9660163	Washer – Spring	1	
3021108	Cross shaft	1	
3018266	Bracket – Support L.H. for cross shaft	1	
9830606	Pin – Split – Retaining cross shaft to support bracket	2	
9067046	Washer – Plain	2	
9086009	Washer – Spring	1	
3018267	Bracket – Support R.H. for cross shaft	1	
19505062	Screw – Fixing support bracket	2	
9660203	Washer – Spring	2	
3053771	Lever – Cross shaft to rod	1	
9843414	Pin – Fixing lever to cross shaft	1	
3020893	Rod – Cross shaft lever to carburettor throttle lever	1	
9510041	Nut – Locking rod adjustment	1	
1046755	Joint – Ball pin and socket – Rod to lever	1	
9510041	Nut – Joint to lever	1	
9660163	Washer – Spring	1	
9830406	Pin – Split – Retaining rod to throttle lever	2	
9067015	Washer – Plain	2	
9086003	Washer – Spring	1	
3018272	Lever – Carburettor throttle	1	
9116046	Grommet – Blanking redundant hole for hand throttle	1	

ACCELERATOR, CHOKE and ENGINE STOP CONTROLS

Plate Ref.	Part Number	DESCRIPTION	No. per Veh.	REMARKS
CARBURETTOR CHOKE CONTROLS				
ALL MODELS with 4 CYLINDER PETROL ENGINE				
AB135	3018665	Cable assembly – Choke control	1	R.H.D.
	5058257	Trunnion	1	
	L.1438	Clip – Leaf type – Single	3	
	9179007	Clip – Looped type – With .344" (8.7 mm.) fixing hole	1	
	9179004	Clip – Looped type – With .312" (7.9 mm.) fixing hole	1	
	9773089	Screw – Self-tapping	A/R	
ALL MODELS with 6 CYLINDER PETROL ENGINE				
N.B. Choke control for the above models is not supplied as a complete assembly – please order inner and outer components as required and shown below.				
CD136	K.19836	Knob and wire – Inner component	1	R.H.D.
CD137	5039466	Body and sheath – Outer component	1	
	L.1438	Clip – Leaf type – Single	1	
	9773089	Screw – Self-tapping	A/R	

ACCELERATOR, CHOKE and ENGINE STOP CONTROLS

Plate Ref.	Part Number	DESCRIPTION	No. per Veh.	REMARKS
ACCELERATOR CONTROLS R.H.D. MODELS with DIESEL ENGINE				
		Pad – Accelerator pedal		} See Section D
		Shaft – Accelerator pedal		
		Lever – Accelerator pedal shaft		
E138	3020086	Rod – Pedal shaft lever to cross shaft	1	Except KAF, KCF KAF, KCF
	W.15486	Rod – Pedal shaft lever to cross shaft	1	
E139	9510041	Nut – Locking rod adjustment	2	
E140	1046755	Joint – Ball pin and socket – Rod to levers	2	
E141	9510041	Nut – Joints to levers	2	
E142	9660163	Washer – Spring	2	
E143	3053766	Cross shaft – With levers and support brackets	1	Without servo } Except With servo } KAF, KCF
	3059261	Cross shaft – With levers and support brackets	1	
	3058709	Cross shaft – With levers and support brackets	1	
N.B. KAD and KAB models prior to chassis numbers shown in Note 1. Page C11 – When fitting new cross shaft it is recommended that a new Rod 3020086 also be fitted.				
E144	19504082	Screw – Adjusting stop	1	
E145	9520041	Nut	2	
E146	3018243	Bar – Stop adjusting	1	
E147	9520040	Nut	2	
E148	29604101	Stud – L.H. support bracket to bell housing	2	Except KAF, KCF
E149	9068011	Washer – Plain	4	
E150	9660163	Washer – Spring	2	
E151	9510041	Nut	2	
E152	19604072	Screw – R.H. support bracket to bell housing	2	Except KAF, KCF
E153	9088013	Distance piece	2	
E154	9660163	Washer – Spring	2	
	5220692	Screw – Support brackets to bell housing	4	KAF, KCF
	9660203	Washer – Spring	4	
	9520051	Nut	4	
E155	P.58696	Spring – Cross shaft lever return	1	Except KAF, KCF
E156	3018254	Bracket – Return spring fixing	1	
	W.15479	Spring – Cross shaft lever return	1	KAF, KCF
	3024238	Bracket – Return spring fixing	1	
E157	3018250	Rod – Cross shaft lever to throttle lever	1	} KAB, KCB
E158	9510041	Nut – Locking rod adjustment	1	
E159	1046755	Joint – Ball pin and socket – Rod to throttle lever	1	
E160	9510041	Nut – Joint to lever	1	
E161	9660163	Washer – Spring	1	
	3018251	Rod – Cross shaft lever to throttle lever	1	} KAD, KAV, KCV
	9830406	Pin – Split – Retaining rod to throttle lever	2	
	9067015	Washer – Plain	2	
	9086003	Washer – Spring	1	

ACCELERATOR, CHOKE and ENGINE STOP CONTROLS

Plate Ref.	Part Number	DESCRIPTION	No. per Veh.	REMARKS
ACCELERATOR CONTROLS				
R.H.D. MODELS with DIESEL ENGINE – continued				
	3024232	Rod – Cross shaft lever to throttle lever	1	} KAF, KCF
	9510041	Nut – Locking rod adjustment	2	
	1046755	Joint – Ball pin and socket	2	
	9510041	Nut – Joint to levers	2	
	9660163	Washer – Spring	2	
	3024524	Rod – Cross shaft lever to venturi lever	1	} KAD, KAV, KCV with Servo Brakes
	9510041	Nut – Locking rod adjustment	1	
	1046755	Joint – Ball pin and socket – Rod to venturi lever	1	
	9510041	Nut – Joint to lever	1	
	9660163	Washer – Spring	1	
E162	W.16460	Pin – Trunnion – Rod to cross shaft lever	1	} KAD, KAB, KAV KCB, KCV
E163	W.16455	Spring	1	
E164	9067015	Washer – Plain	3	
	9830506	Pin – Split – Retaining spring and rod to pin	2	
E165	3018252	Lever – Throttle	1	} KAD, KAB Prior to Note 2 Page C11
E166	W.14967	Peg – Trunnion for hand throttle cable	1	
E167	9067000	Washer – Plain	1	
	3021656	Lever – Throttle	1	} KAD, KAB, KAF KCB, KCF – See Note 2 Page C11
	W.14967	Peg – Trunnion for hand throttle cable	1	
	9067000	Washer – Plain	1	
	J.146876	Lever – Throttle	1	} KAV, KCV
	W.14967	Peg – Trunnion for hand throttle cable	1	
	9067000	Washer – Plain	1	
E168	3018723	Cable assembly – Hand throttle control	1	} KAB } Prior to Note 2 KAD } Page C11 See Note 2 Page C11
E169	3018255	Bracket – Outer cable abutment	1	
	3018256	Bracket – Outer cable abutment	1	
	3026173	Bracket – Outer cable abutment	1	
E170	P.60586	Abutment – Adjustable sleeve for outer cable	1	
E171	P.60587	Nut – Locking adjustable sleeve	2	
E172	P.58603	Stop – Inner cable	1	
<p>NOTE 1. KAD 3023 – 003537 KAD 4023 – 001640 KAD 4035 – 000297 KAB 6035 – 000329</p>				
<p>NOTE 2. Used from Engine Numbers :- KAD – Engine UA 17748 plus 17740/2 KAB – Engine 2603732 KAF – } KCF – } 1st Production KCB – }</p>				

ACCELERATOR, CHOKE and ENGINE STOP CONTROLS

Plate Ref.	Part Number	DESCRIPTION	No. per Veh.	REMARKS
ACCELERATOR CONTROLS L.H.D. MODELS with DIESEL ENGINE				
		Pad - Accelerator pedal		} See Section D
		Shaft - Accelerator pedal		
		Lever - Accelerator pedal shaft		
F173	3020086	Rod - Pedal shaft lever to relay lever	1	} Except KAF, KCF KAF, KCF
	W.15486	Rod - Pedal shaft lever to relay lever	1	
F174	9510041	Nut - Locking rod adjustment	2	
F175	1046755	Joint - Ball pin and socket - Rod to levers	2	
F176	9510041	Nut - Joints to levers	1	
F177	9660163	Washer - Spring	2	
F178	3050244	Relay - Lever and shaft	1	} Prior to Note 1 Page C13 From Note 1 Page C13 KAF, KCF
	3053769	Relay - Lever and shaft	1	
	3058763	Relay - Lever, shaft and support bracket	1	
F179	3018247	Bracket - Support for relay	1	} Use with Relay 3050244 Use with Relay 3053769
	3021109	Bracket - Support for relay	1	
F180	9830606	Pin - Split - Retaining relay shaft to support bracket	2	} Use with Relay 3050244
	9067034	Washer - Plain	2	
F181	9086007	Washer - Spring	1	
	9830608	Pin - Split - Retaining relay shaft to support bracket	2	} Use with Relay 3053769
	9067056	Washer - Plain	2	
	9086011	Washer - Spring	1	
F182	19504082	Screw - Adjusting stop	1	
F183	9520040	Locknut	2	
F184	3018243	Bar - Stop adjusting	1	
F185	9520040	Locknut	2	} KAF, KCF
	3024235	Stud - Adjustable stop	2	
	9520051	Locknut	4	
F186	29604101	Stud - Support bracket to bell housing	2	} Except KAF, KCF
F187	9068011	Washer - Plain	4	
F188	9660163	Washer - Spring	2	
F189	9510041	Nut	2	
	5220692	Screw - Support bracket to bell housing	2	} KAF, KCF
	9660203	Washer - Spring	2	
	9520051	Nut	2	
F190	P.58696	Spring - Relay lever return	1	} Except KAF, KCF
F191	3018254	Bracket - Return spring fixing	1	
	W.15479	Spring - Relay lever return	1	} KAF, KCF
	3024238	Bracket - Return spring fixing	1	
F192	3018250	Rod - Relay lever to throttle lever	1	} KAB, KCB
F193	9510041	Nut - Locking rod adjustment	2	
F194	1046755	Joint - Ball pin and socket - Rod to throttle lever	1	
F195	9510041	Nut - Joint to lever	1	
F196	9660163	Washer - Spring	1	

ACCELERATOR, CHOKE and ENGINE STOP CONTROLS

Plate Ref.	Part Number	DESCRIPTION	No. per Veh.	REMARKS
ACCELERATOR CONTROLS L.H.D. MODELS with DIESEL ENGINE – continued				
	3018251	Rod – Relay lever to throttle lever	1	} KAD. KAV. KCV
	9830406	Pin – Split – Retaining rod to throttle lever	2	
	9067015	Washer – Plain	2	
	9086003	Washer – Spring	1	
	3024232	Rod – Relay lever to throttle lever	1	} KAF. KCF
	9510041	Nut – Locking rod adjustment	2	
	1046755	Joint – Ball pin and socket – Rod to levers	2	
	9510041	Nut – Joints to levers	2	
	9660163	Washer – Spring	2	
	3024524	Rod – Relay lever to venturi lever	1	} KAD. KAV. KCV
	9510041	Nut – Locking rod adjustment	1	
	1046755	Joint – Ball pin and socket – Rod to levers	1	
	9510041	Nut – Joint to lever	1	
	9660163	Washer – Spring	1	
F197	W.16460	Pin – Trunnion – Rod to relay lever	1	} KAD. KAB. KAV. KCB. KCV.
F198	W.16455	Spring	1	
F199	9067015	Washer – Plain	3	
	9830506	Pin – Split – Retaining spring and rod to pin	2	
F200	3018252	Lever – Throttle	1	} KAD. KAB. Prior to Note 2 Page C11
F201	W.14967	Peg – Trunnion for hand throttle cable	1	
F202	9067000	Washer – Plain	1	
	3021656	Lever – Throttle	1	} KAD. KAB. KAF. KCB. KCF – See Note 2 Page C11
	W.14967	Peg – Trunnion for hand throttle cable	1	
	9067000	Washer – Plain	1	
	J.146876	Lever – Throttle	1	} KAV. KCV
	W.14967	Peg – Trunnion for hand throttle cable	1	
	9067000	Washer – Plain	1	
F203	3018724	Cable assembly – Hand throttle control	1	} KAB } Prior to Note 2 KAD } Page C11 See Note 2 Page C11
F204	3018255	Bracket – Outer cable abutment	1	
	3018256	Bracket – Outer cable abutment	1	
	3026173	Bracket – Outer cable abutment	1	
F205	P.60586	Abutment – Adjustable sleeve for outer cable	1	
F206	P.60587	Nut – Locking adjustable sleeve	2	
F207	P.58603	Stop – Inner cable	1	
NOTE 1. Applicable to vehicles built from chassis numbers :- KAD. KAB 3023 – 003195 plus 003182, 003188/90 & 003193. KAD. KAB 4023 – 001497 plus 001487, 001489 & 001491/5. KAD. KAB 4035 – 000428. KAB 6035 – 000314. KCV. KCB All models from 1st Production.				

ACCELERATOR, CHOKE and ENGINE STOP CONTROLS

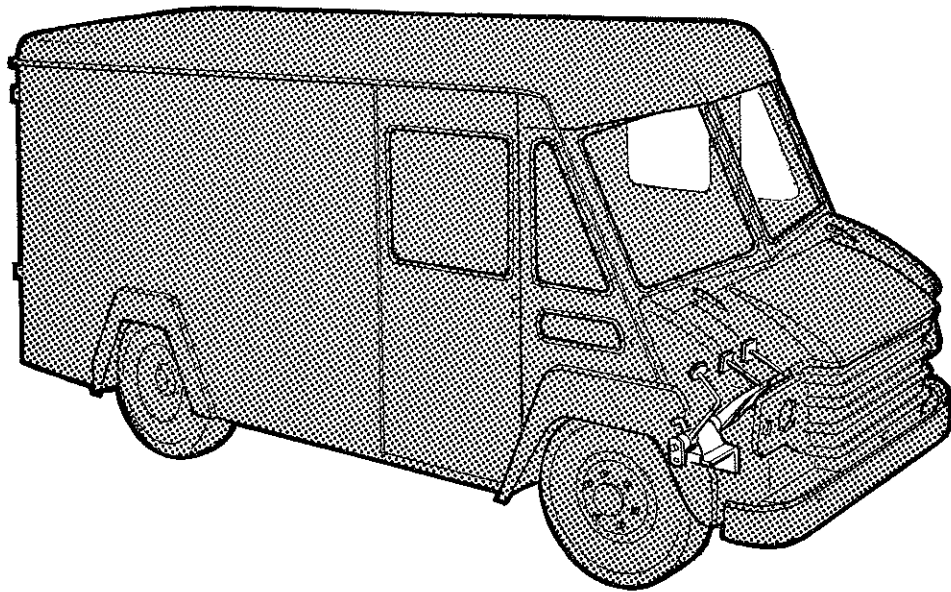
Plate Ref.	Part Number	DESCRIPTION	No. per Veh.	REMARKS
ENGINE STOP CONTROL				
EF208	3061596	Cable assembly	1	KAD. KAB KAV. KCV. KCB KAF. KCF
	3061593	Cable assembly	1	
	3025230	Cable assembly	1	
EF209	3018257	Fork	1	KAD. KAB. KCB See Note 1 Page C15
EF210	3018258	Pin	1	
EF211	9206012	Retainer	1	
EF212	9662123	Washer - Spring	1	
EF213	P.58603	Stop - Inner cable	1	
	3023826	Clip - Stop control	1	
	19104114	Bolt	1	
	3018257	Fork	1	KAB. KCB See Note 2 Page C15
	3018258	Pin	1	
	9206012	Retainer	1	
	9662123	Washer - Spring	1	
	P.58603	Stop - Inner cable	1	
	3023826	Clip - Stop control	1	
	19104114	Bolt	1	
	P.58603	Stop - Inner cable	1	KAB. KCB - R.H.D. - See Note 4 Page C15
	3023826	Clip - Stop control	1	
	19104114	Bolt	1	
	9660163	Washer - Spring	1	KAD. KAV. KCV - See Note 2 - Page C15
	9510041	Nut	1	
	3023826	Clip - Stop control	1	
	19104114	Bolt	1	KAF. KCF
	9660163	Washer - Spring	1	
	9510041	Nut	1	
	L.1438	Clip - Cable to abutment	1	
	39021081	Screw - Clip fixing	1	KAB. KCB - See Note 1 - Page C15
	9600522	Nut	1	
	9660123	Washer - Spring	1	
	9179007	Clip	1	
	9773089	Screw	A/R	
	9510041	Nut	1	
	9660163	Washer - Spring	1	
		Connections - Stop control - See Sections AC and AD ..		KAD. KAV.

ACCELERATOR, CHOKE and ENGINE STOP CONTROLS

Plate Ref.	Part Number	DESCRIPTION	No. per Veh.	REMARKS
		<p style="text-align: center;">ENGINE STOP CONTROL – continued</p> <p>NOTE 1. Used prior to chassis numbers shown in Note 2.</p> <p>NOTE 2. Used from chassis numbers:– KAD, KAB – 006909 BU : 700120 CKD. KAV – 1st Production.</p> <p>NOTE 3. Used prior to chassis numbers shown in Note 4.</p> <p>NOTE 4. Used from chassis number:– KAB – 013227 BU – 701109 CKD and from Engine No. 203U 3094.</p>		

SECTION D

PEDAL GROUP



PEDAL GROUP – R.H.D. MODELS

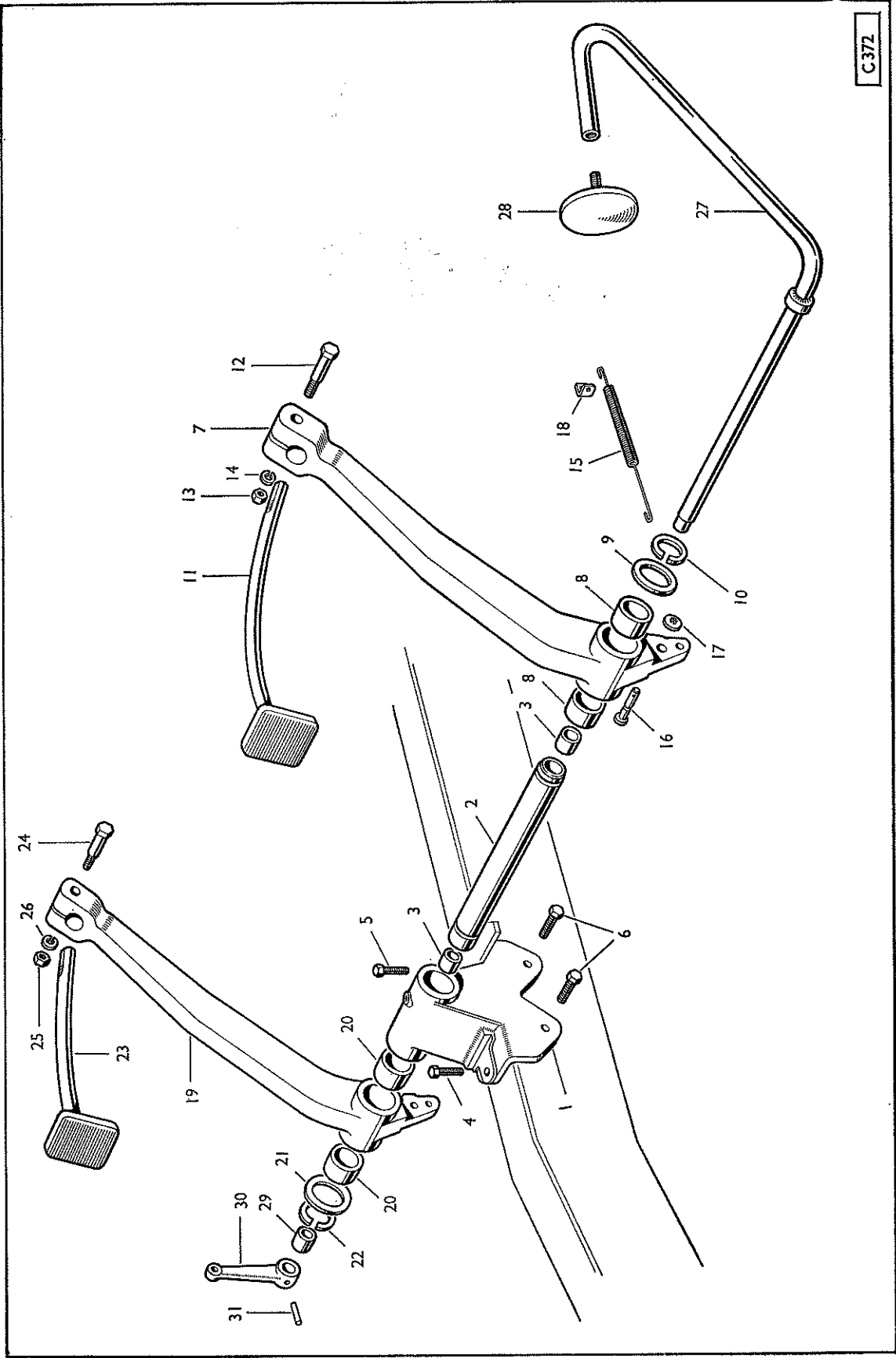


PLATE A – SECTION D

PEDAL GROUP – L.H.D. MODELS

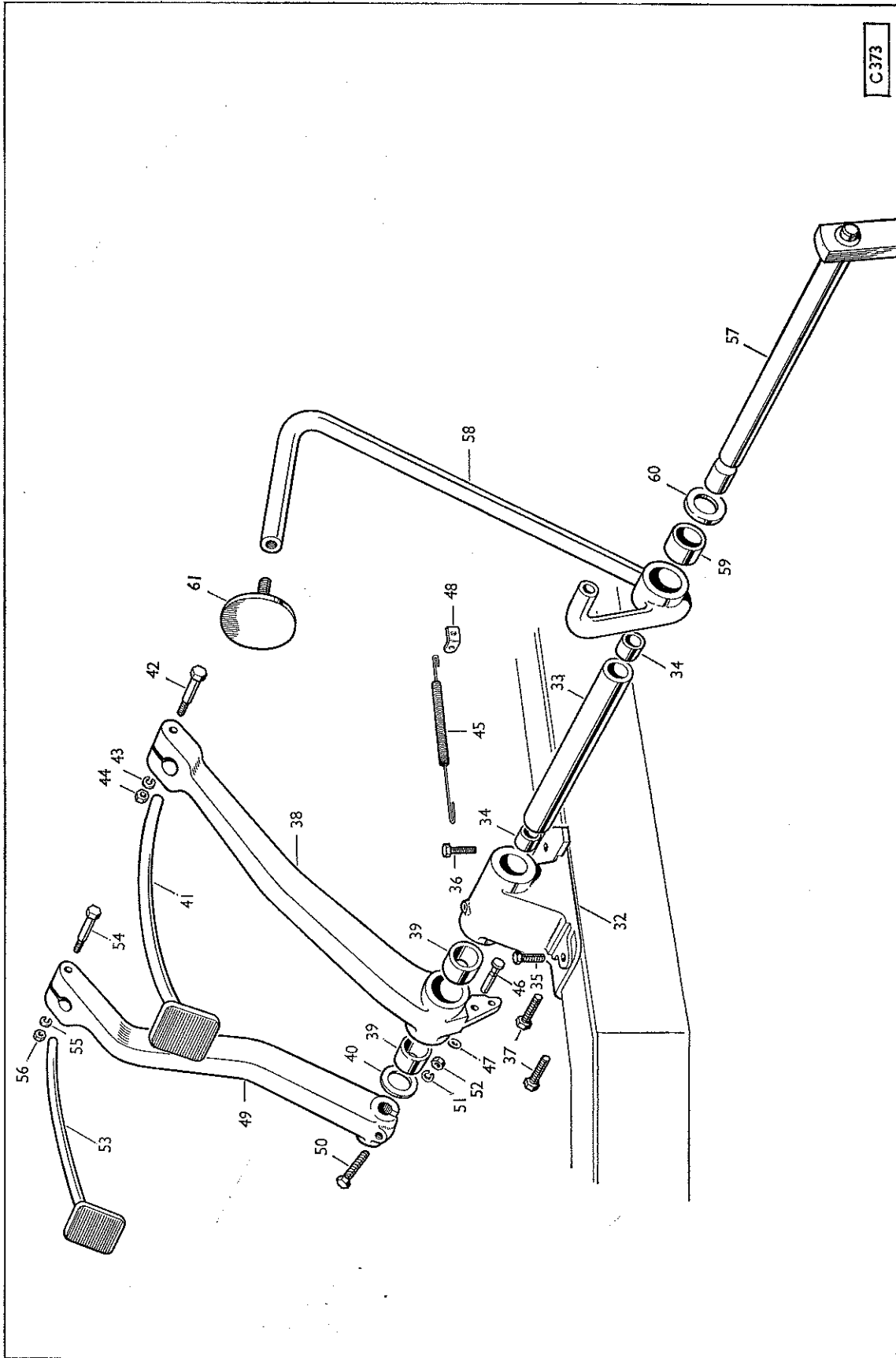


PLATE B — SECTION D

PEDAL GROUP

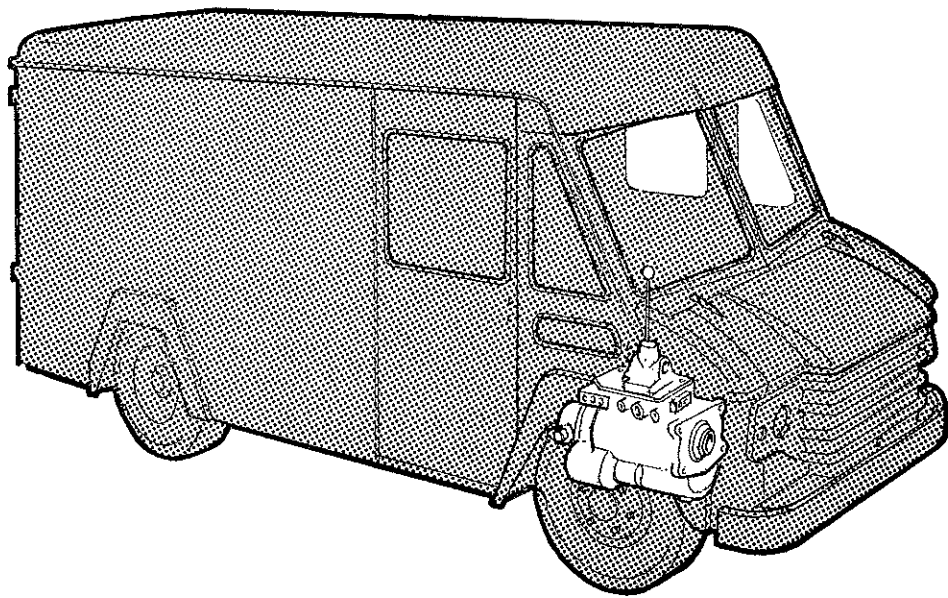
Plate Ref.	Part Number	DESCRIPTION	No. per Veh.	REMARKS	
R.H.D. MODELS					
A1	3019246	Bracket and shaft – Pedal support	1	} Alternatives – Check length required	
A2	W.12017	Shaft – Pedal pivot	1		
A3	9200016	Bush – Accelerator pedal shaft	2		
A4	19506082	Screw – 1" (25.4 mm.) long – Fixing bracket to frame	1		
A5	19106121	Bolt – 1.5" (38 mm.) long	1		
	19506102	Bolt – 1.25" (31.7 mm.) long	1		
	9660243	Washer – Spring	2		
	5221351	Nut	2		
A6	5220692	Screw – .875" (22.2 mm.) long	2		
	9660203	Washer – Spring	2		
	5221350	Nut	2		
A7	3018141	Lever – Brake pedal	1		} Prior to Note 1 See Note 1 Page D1
A8	P.60149	Bush – Brake pedal lever	2		
A9	9067333	Washer – Pedal retaining	1		
A10	W.12053	Ring – Retaining washer	1		
A11	3018180	Stem – Brake pedal	1		
	73027644	Stem – Brake pedal	1		
A12	19106112	Bolt – Clamping lever to pedal stem	1		
A13	5221351	Nut	1		
A14	9660243	Washer – Spring	1		
A15	3018175	Spring – Brake pedal return	1		
A16	3018176	Pin – Fixing spring to pedal lever	1		
A17	W.16954	Clip – Pin retaining	1		
A18	P.20687	Plate – Anchor for spring	1		
	19506062	Screw – Anchor plate to frame	1		
	9660203	Washer – Spring	1		
	5221351	Nut	1		
A19	3018141	Lever – Clutch pedal	1	} Diesel Petrol – 4 cylinder Petrol – 6 cylinder	
A20	P.60149	Bush – Clutch pedal lever	2		
A21	9067333	Washer – Pedal retaining	1		
A22	W.12053	Ring – Retaining washer	1		
A23	3018179	Stem – Clutch pedal	1		
A24	19106112	Bolt – Clamping lever to pedal stem	1		
A25	5221351	Nut	1		
A26	9660243	Washer – Spring	1		
A27	3053806	Shaft – Accelerator pedal	1		
A28	3024596	Pad – Accelerator pedal	1		
	9664203	Washer – Shakeproof	1		
	5221350	Nut	1		
A29	W.14995	Distance piece – Pedal shaft and lever	1		
A30	P.60427	Lever – Accelerator pedal to rod	1		
	3020878	Lever – Accelerator pedal to rod	1		
	P.93120	Lever – Accelerator pedal to rod	1		
A31	9843414	Pin – Lever to shaft	1		
<p>NOTE 1. Used from chassis numbers:– KC 30 – 018982. KC 40 – 018997. KC 60 – 019040.</p>					

PEDAL GROUP

Plate Ref.	Part Number	DESCRIPTION	No. per Veh.	REMARKS
L.H.D. MODELS				
B32	3019247	Bracket and shaft – Pedal support	1	} Alternatives – } Check length required
B33	W.12035	Shaft – Pedal pivot	1	
B34	3026776	Bush	2	
B35	19506082	Screw – 1" (25.4 mm.) long – Fixing bracket to frame	1	
B36	19106121	Bolt – 1.5" (38 mm.) long	1	
	19506102	Bolt – 1.25" (31.7 mm.) long	1	
	9660243	Washer – Spring	2	
	5221351	Nut	2	
B37	5220692	Screw – .875" (22.2 mm.) long	2	
	9660203	Washer – Spring	2	
	5221350	Nut	2	
B38	3018141	Lever – Brake pedal	1	} Prior to Note 1 } See Note 1 Page D1
B39	P.60149	Bush – Brake pedal lever	2	
B40	9067298	Washer – Spacing pedal lever	1	
B41	3018677	Stem – Brake pedal	1	
	73027702	Stem – Brake pedal	1	
B42	19106112	Bolt – Clamping lever to pedal stem	1	
B43	9660243	Washer – Spring	1	
B44	5221351	Nut	1	
B45	3018175	Spring – Brake pedal return	1	
B46	3018176	Pin – Fixing spring to pedal lever	1	
B47	W.16954	Clip – Pin retaining	1	
B48	P.20687	Plate – Anchor for spring	1	
	19506062	Screw – Anchor plate to frame	1	
	9660203	Washer – Spring	1	
	5221351	Nut	1	
B49	3050173	Lever – Clutch pedal	1	
B50	19105151	Bolt – Clamping clutch pedal lever to pedal shaft	1	
B51	9660203	Washer – Spring	1	
B52	5221350	Nut	1	
B53	3018179	Stem – Clutch pedal	1	
B54	19106112	Bolt – Clamping lever to pedal stem	1	
B55	9660243	Washer – Spring	1	
B56	5221351	Nut	1	
B57	3018172	Shaft and lever – Clutch pedal	1	
B58	3050170	Lever – Accelerator pedal	1	
B59	P.60149	Bush	1	
B60	9067298	Washer – Spacing accelerator pedal	1	
B61	3024596	Pad – Accelerator pedal	1	
	9664203	Washer – Shakeproof	1	
	5221350	Nut	1	

SECTION E

GEARBOX UNIT



GEARBOX UNIT

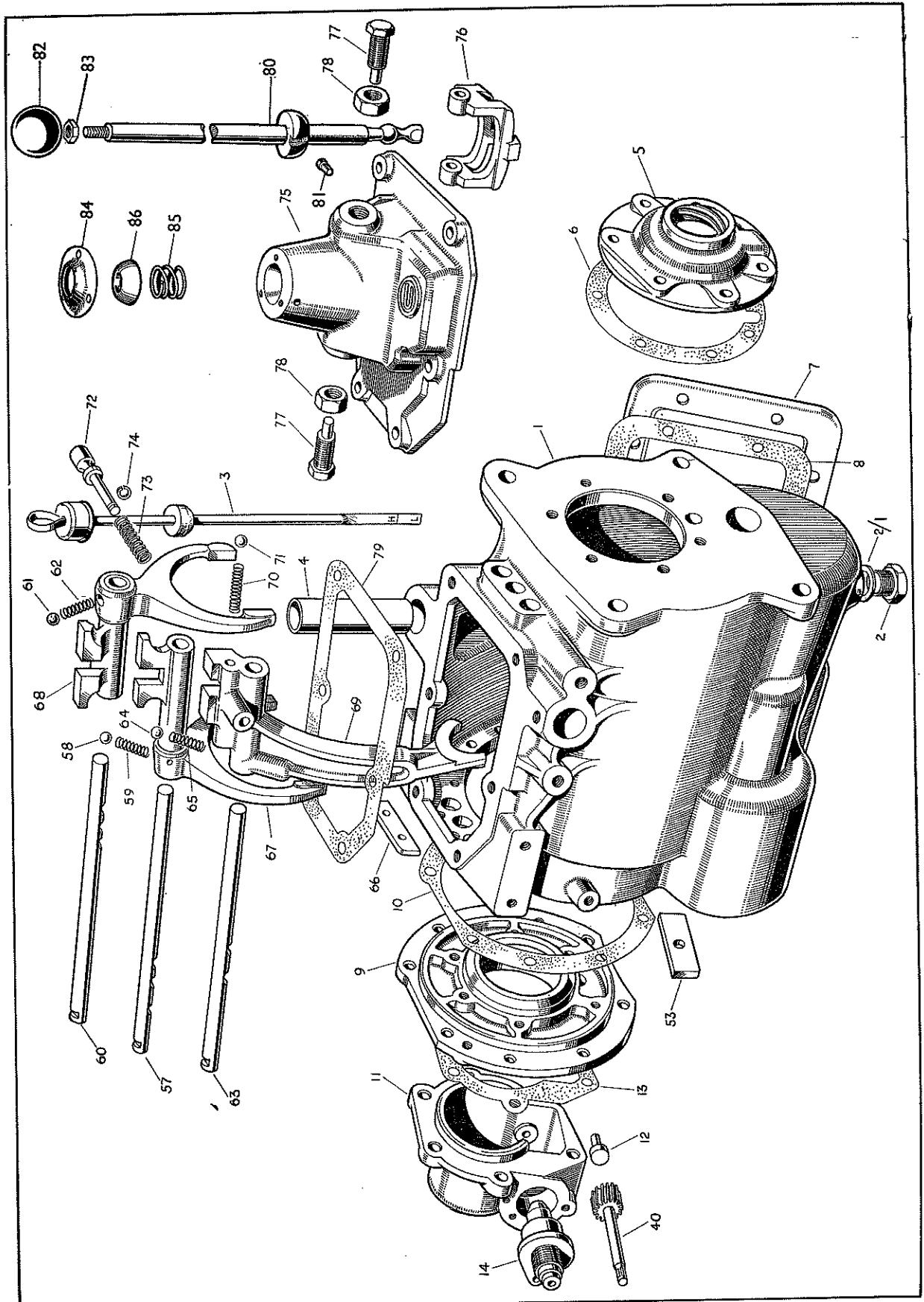


PLATE A - SECTION E

GEARBOX UNIT

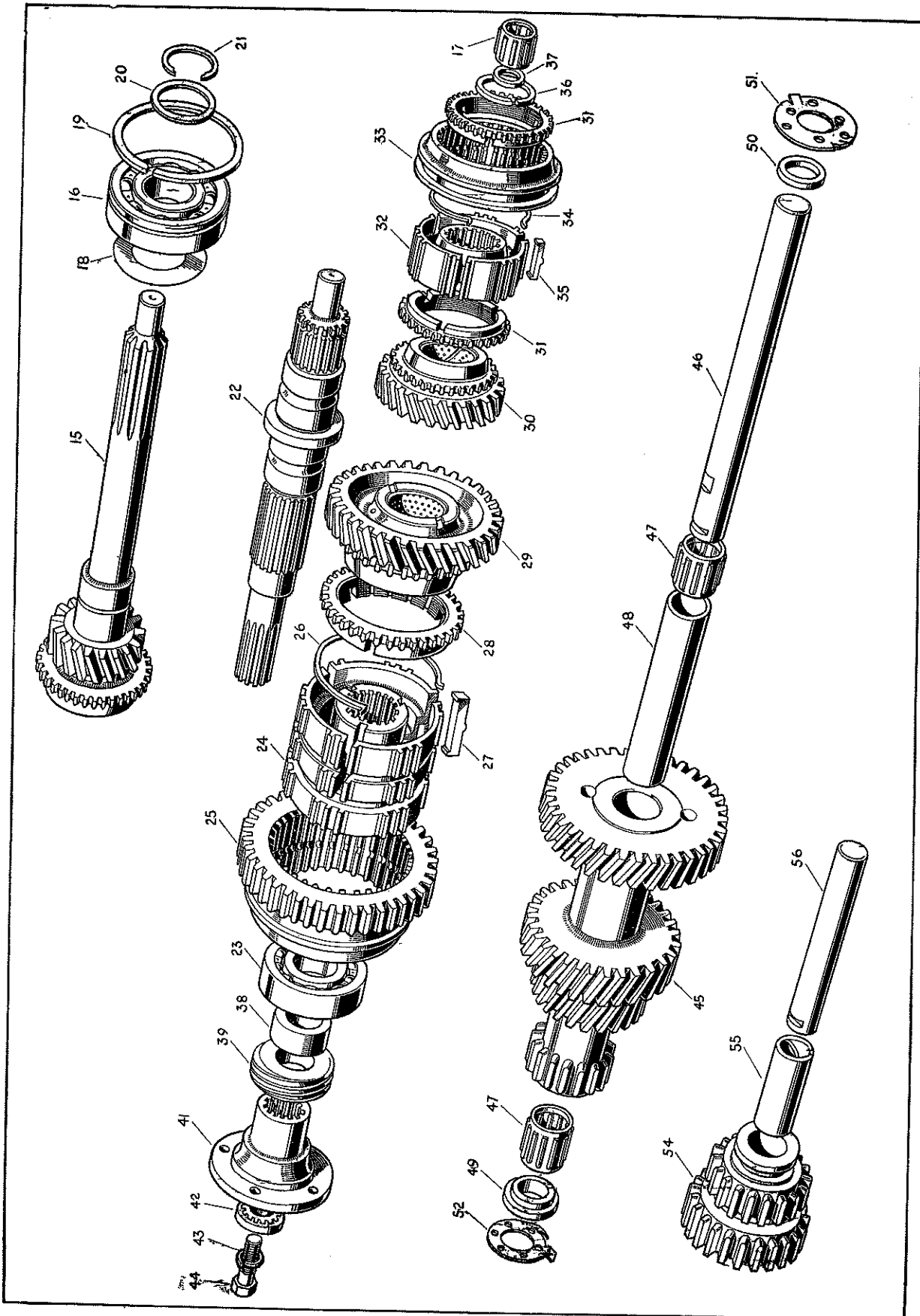


PLATE B - SECTION E

GEARBOX UNIT

Plate Ref.	Part Number	DESCRIPTION	No. per Veh.	REMARKS
	5200350 s/d 5200711	GEARBOX UNIT	1	See Note 1
	5200711	GEARBOX UNIT	1	See Note 2
A1	3075667	Casing	1	See Note 1
	3077176	Casing	1	See Note 2
A2	9801043	Plug - Drain	1	
A2/1	9078039	Washer - Drain plug	1	
A3	3017813	Dipstick	1	
A4	3017815	Tube - Dipstick	1	
A5	3049633	COVER - FRONT	1	
A6	W.11821	Gasket - Front cover to casing	1	
	9660203	Washer	6	
	19505081	Screw	6	
A7	P.59307	COVER - SIDE	1	
A8	3020877 s/d 6655059	Gasket - Side cover to casing	1	
	9660243	Washer	6	
	19606052	Screw	6	
A9	W.42382	COVER - REAR	1	
A10	W.11820	Gasket - Rear cover to casing	1	
	9660203	Washer	8	
	19605081	Screw	8	
A11	W.11847	CASE - SPEEDOMETER GEAR	1	
A12	W.11848	Stop - Speedometer pinion	1	
A13	W.11822	Gasket - Speedometer gear case to rear cover	1	
	9660203	Washer	6	
	19505082	Screw	5	
	19405191	Screw	1	
A14	W.11851	ECCENTRIC - SPEEDOMETER PINION	1	For use with 14-20 tooth pinions
	W.14112	ECCENTRIC - SPEEDOMETER PINION	1	For use with 12 and 13 tooth pinions only
	9660163	Washer - Eccentric to speedometer gear case	1	
	39904101	Screw	1	
B15	3049634	SHAFT - PRIMARY	1	See Note 1
	3058118	SHAFT - PRIMARY	1	See Note 2
B16	9197009	Bearing - Primary shaft	1	
B17	9196008	Bearing - Roller - Primary shaft to mainshaft	1	See Note 1
	9187216	Bearing - Needle roller	18	
	W.13272	Washer	1	See Note 2
	9204026	Circlip	1	
	W.13273	Ring	1	
B18	9071087	Shield - Chip - Primary shaft bearing	1	
B19	P.82119	Snap ring	1	
B20	9067352	Washer - Abutment	1	
B21	P.55507	Ring - Locking	1	
B22	W.42375	MAINSHAFT	1	See Note 1
	3057909	MAINSHAFT	1	See Note 2
B23	9188015	Bearing - Mainshaft - Rear	1	
	W.68324	SLEEVE AND SYNCHRO HUB - 1st AND 2nd SPEED	1	
B24		Hub Not supplied	
B25	W.42381	Gear - Sliding	1	See Note 1
B26	W.11818	Circlip	2	
B27	W.11819	Plate - Shifting	3	

GEARBOX UNIT

Plate Ref.	Part Number	DESCRIPTION	No. per Veh.	REMARKS
		GEARBOX UNIT – continued		
	5200714	SLEEVE AND SYNCHRO HUB – 1st AND 2nd SPEED ..	1	} See Note 2
		Hub Not supplied		
	3057881	Gear – Sliding	1	
	W.11818	Circlip	2	
	W.11819	Plate – Shifting	3	
B28	W.42379	Ring – Baulking – 2nd speed	1	
B29	W.42376	WHEEL – 2nd SPEED	1	
B30	W.11823	WHEEL – 3rd SPEED	1	
B31	P.82132	Ring – Baulking – 3rd and 4th speed	2	
	W.68325	SLEEVE AND SYNCHRO HUB – 3rd and 4th SPEED ..	1	
B32	W.44344	Hub	1	
B33	W.42386	Sleeve – Sliding	1	
B34	W.11853	Circlip	2	
B35	W.11824	Plate – Shifting	3	
B36	P.82384	Spring ring .119"/.120" (3.022/3.048 mm.) – 3rd and 4th speed hub	1	} Alternatives
	P.82385	Spring ring .117"/.118" (2.971/2.997 mm.)	1	
B37	9082031	Ring – Distance – Main shaft	1	
B38	W.11845	Spacer – Speedometer wheel	1	See Note 1
	3023574	Spacer	1	See Note 2
B39	W.11846	WHEEL – SPEEDOMETER DRIVING	1	See Note 1
	3023573	WHEEL – SPEEDOMETER DRIVING	1	See Note 2
		AXLE RATIO 4.875 : 1	1	
A40	W.11987	Pinion – Speedometer 12 teeth – Tyre size 7.50-16	*	See Note 2
	W.11988	Pinion – Speedometer 13 teeth – Tyre size 7.00-16	*	
	W.11989	Pinion – Speedometer 14 teeth – Tyre size 6.50-16	*	See Note 2
		AXLE RATIO 5.140 : 1		
	W.11988	Pinion – Speedometer 13 teeth – Tyre size 7.50-16	*	See Note 2
		AXLE RATIO 5.430 : 1		
	W.11989	Pinion – Speedometer 14 teeth – Tyre size 7.50-16	*	
	W.11990	Pinion – Speedometer 15 teeth – Tyre size 6.50/7.00-16	*	
		AXLE RATIO 5.570 : 1		
	W.11990	Pinion – Speedometer 15 teeth – Tyre size 7.50-16	*	See Note 1
	W.11989	Pinion – Speedometer 14 teeth – Tyre size 7.50-16	*	See Note 2
		AXLE RATIO 6.000 : 1		
	W.11990	Pinion – Speedometer 15 teeth – Tyre size 7.50-16	*	See Note 2
	W.11991	Pinion – Speedometer 16 teeth – Tyre size 7.00-16	*	
	W.11992	Pinion – Speedometer 17 teeth – Tyre size 6.50-16	*	
		AXLE RATIO 6.570 : 1		
	W.11993	Pinion – Speedometer 18 teeth – Tyre size 6.50/7.00-16	*	
B41	3050555	COUPLING – DRIVER } 13 SPLINES	*	} KA-H/D } See } KA-L/B } Note 1
	3049522	COUPLING – DRIVER	*	
	3058196	COUPLING – DRIVER } 10 SPLINES	*	} KAD-KA/C-H/V } See } KA/C-L/B/F } Note 2
	3057940	COUPLING – DRIVER	*	
B42	3018508	Washer – Coupling to mainshaft	1	
B43	9660323	Washer	1	} See Note 1
B44	19508113	Bolt	1	
	3023775	Washer	1	} See Note 2
	9660323	Washer	1	
	19508094	Bolt	1	
		NOTE. Items marked * are NOT supplied with the gearbox unit.		

GEARBOX UNIT

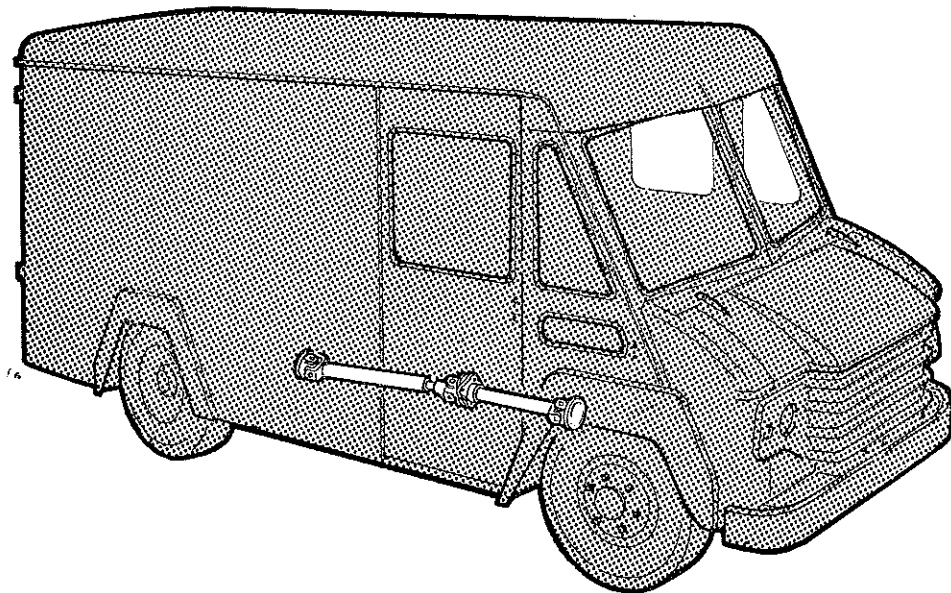
Plate Ref.	Part Number	DESCRIPTION	No. per Veh.	REMARKS
		GEARBOX UNIT – continued		
B45	W.42387	CLUSTER – LAYSHAFT GEAR	1	See Note 1
B46	W.11831	LAYSHAFT	1	
B47	9196013	Rollers and cage – Layshaft bearing	2	
B48	W.11827	Tube – Distance	1	
B49	W.11825	Collar – Thrust	1	
B50	W.11828	Collar – Spacing	1	
	3057838	CLUSTER – LAYSHAFT GEAR	1	See Note 2
	3023577	LAYSHAFT	1	
	3023793	Bearing – Needle rollers	40	
	3023583	Collar – Thrust	1	
	3023584	Collar – Spacing	1	
B51	P.81260	Washer – Front	1	
B52	W.11830	Washer – Rear	1	
A53	W.11832	Lockplate – Layshaft and reverse shaft	1	
	9660203	Washer – Lockplate fixing	1	
	19605061 s/d 5220697	Bolt	1	
B54	W.11833	WHEEL – REVERSE	1	See Note 1
B55	W.11834	Bush	1	
B56	W.11835	Shaft – Reverse wheel	1	
	3023521	WHEEL – REVERSE	1	See Note 2
	3023516	Bush	1	
	3023452	Shaft – Reverse wheel	1	
A57	W.11836 s/d 3018740	SHAFT – 1st AND 2nd SELECTOR	1	
A58	P.40042 s/d 9187008	Ball	1	
A59	P.82493	Spring – Ball	1	
A60	W.11837 s/d 3018741	SHAFT – 3rd AND 4th SELECTOR	1	
A61	P.40042 s/d 9187008	Ball	1	
A62	P.82493	Spring – Ball	1	
A63	W.11838 s/d 3018742	SHAFT – REVERSE SELECTOR	1	Early condition Late condition
	3018742 s/d 3026234	SHAFT – REVERSE SELECTOR	1	
A64	P.40042 s/d 9187008	Ball	1	
A65	P.82493	Spring – Ball	1	
A66	P.59348	Lockplate – Selector shaft	1	
	9660163	Washer – Lockplate	2	
	19604052	Screw	2	
A67	W.42977 s/d 3054961	FORK – 1st AND 2nd SELECTOR	1	
A68	W.42978 s/d 3054994	FORK – 3rd AND 4th SELECTOR	1	
A69	W.42391 s/d 3054960	FORK – REVERSE SELECTOR	1	See Note 1 See Note 2
	3058453	FORK – REVERSE SELECTOR	1	
A70	W.11840	Spring – Bias ball	1	
A71	P.40042 s/d 9187008	Ball	1	
A72	W.11841	Plunger – Reverse bias	1	
A73	W.11842	Spring – Plunger	1	
A74	W.11843	Circlip – Reverse bias plunger	1	
A75	3048826	Tower – Gearbox	1	No longer supplied
	3019861	Spacer – Tower	1	
A76	W.42396	Lever – Guide and locking	1	
A77	W.11857	Pin – Lever	2	
A78	9520101	Locknut – Pin	2	
A79	W.11858	Gasket – Tower to casing	1	
	9660203	Washer	6	

GEARBOX UNIT

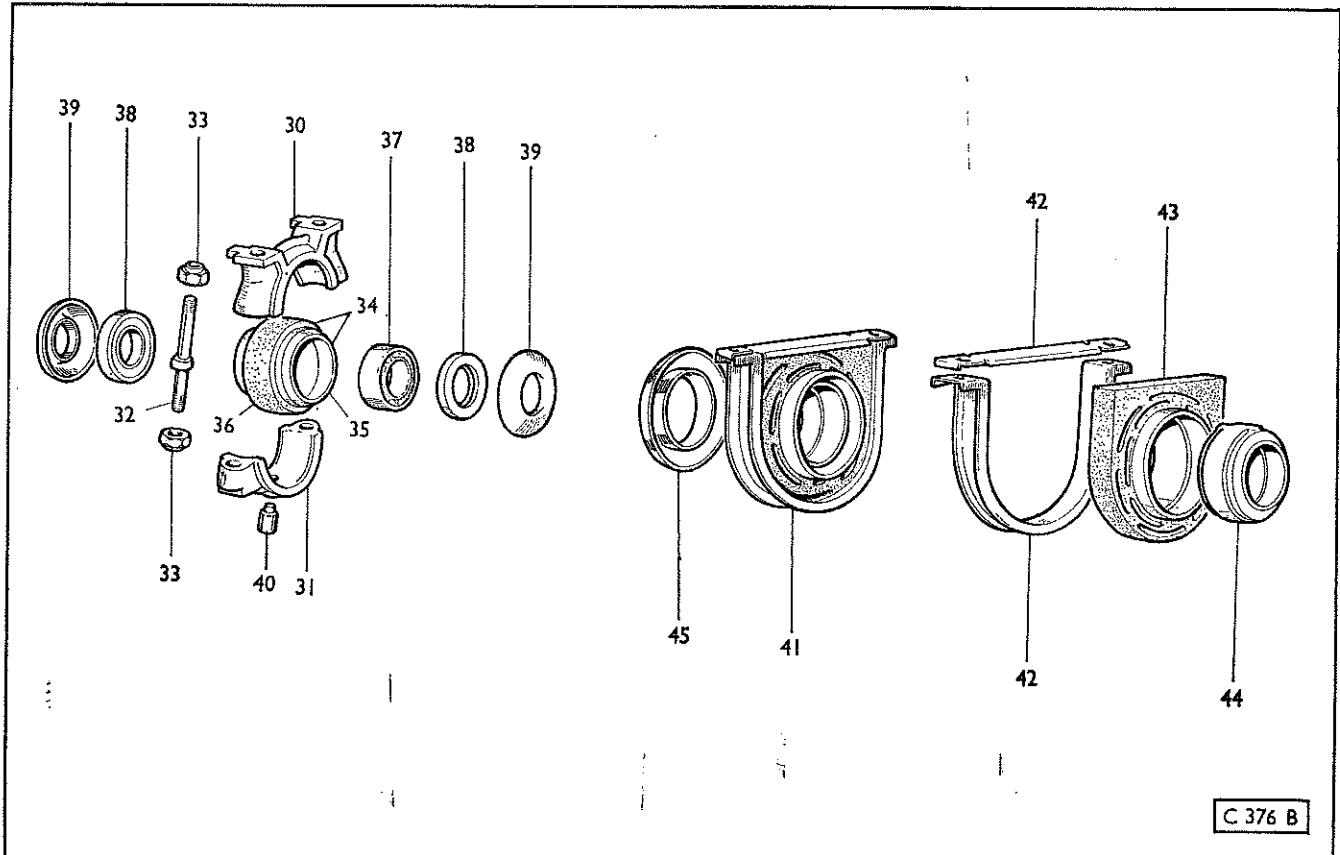
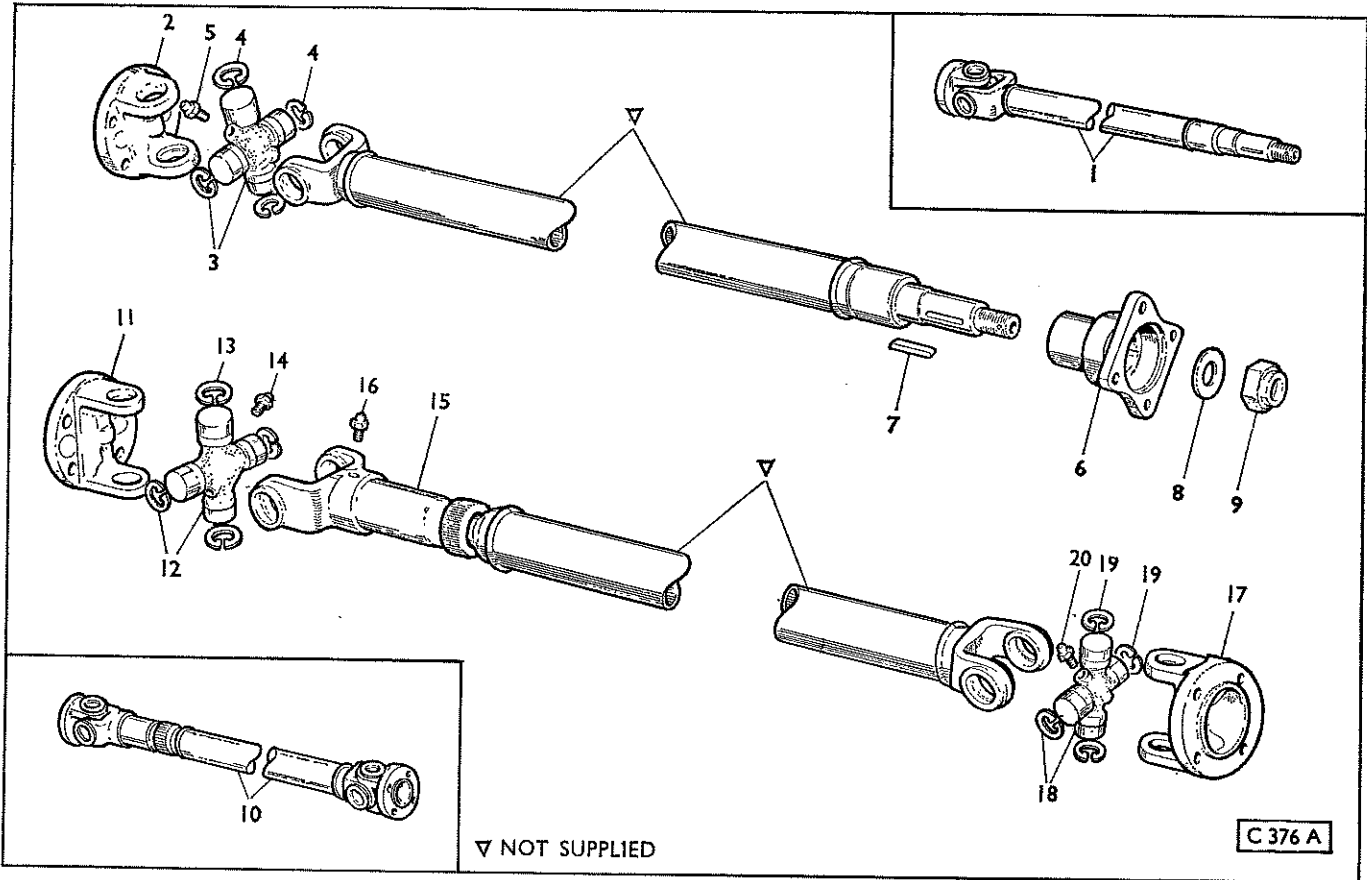
Plate Ref.	Part Number	DESCRIPTION	No. per Veh.	REMARKS
		GEARBOX UNIT – continued		
	19605081	Screw	6	
A80	3049671 s/d 73064579	LEVER – CHANGE SPEED	1	
	3050364	LEVER – CHANGE SPEED	1	Canada only
A81	3017187	Peg – Ball slot	1	
A82	3019563	Knob – Change speed lever	1	Up to chassis numbers KC 017792 and CKD KC 701521
	3026580	Knob – Change speed lever	1	From chassis numbers KC 017793 and CKD KC 701522
A83	9520061	Locknut – Knob	1	
A84	3017184	Cap – Tower	1	
A85	W.13290	Spring – Ball	1	
A86	3017186	Cap – Ball spring	1	
	9660163	Washer – Cap retaining	3	
	39904101	Screw	3	
		NOTE 1. Fitted up to chassis numbers listed in Note 2. SPECIAL NOTE. Some early casings in this range were fitted with: W.15063 Cap – Blanking handbrake shaft aperture 1 off W.11860 Bolt – Locating 1 off 9660203 Washer – Locating bolt 1 off order as required.		
		NOTE 2. Fitted from chassis numbers: KA-H/L/D/B - 3023/4023/4035/6035 - 009601 onwards. KAV 3023/4023/4035 from 1st production. All 2523 models. When replacing gearbox 5200350 with gearbox 5200711 the following coupling flanges must be fitted: 3057940 for KA/C-L/B/F models 3058196 for KAD-KA/C - H/V models. Coupling flanges are not interchangeable.		

SECTION F

PROPELLER SHAFT



PROPELLER SHAFT



SECTION F

PROPELLER SHAFT

Plate Ref.	Part Number	DESCRIPTION	No. per Veh.	REMARKS
		MODELS KAH, KAD, KAV, KCH and KCV		Check Chassis No.
		Applicable to vehicles built UP TO Chassis Nos.:		
		KAH, KAD, KAV 3023, 4023, 4035 All vehicles		
		KCH, KCV 3023 019365		
		KCH, KCV 4023, 4035 018996		
		N.B. Propeller shafts shown below may be of Hardy Spicer or B.R.D. manufacture – when ordering components please identify the manufacturer where necessary.		
1	W.42355	Shaft – Front assembly complete less rear coupling flange ..	1	3023, 4023
1	W.44763	Shaft – Front assembly complete less rear coupling flange ..	1	4035
2	K.9072	Flange yoke – Front coupling	1	Hardy Spicer shafts
2	5039569	Flange yoke – Front coupling	1	B.R.D. shafts
3	5039570	Joint – Universal – Journal and needle bearing pack ..	1	
4	9204098	Snap ring	4	
5	9217007	Greaser – Universal joint	1	
6	3054558	Coupling – Keyed – Rear for front shaft	1	} Not supplied with the Front Shaft
7	52146	Key – Coupling and shaft	1	
8	9067080	Washer – Plain	1	
	3021479	Spacer	A/R	
9	9034078	Nut – Securing coupling to rear of front shaft	1	
		N.B. Spacer 3021479 is required when Coupling 3054558 is used to replace the obsolete Coupling 63630.		
10	P.62251	Shaft – Rear assembly complete	1	3023, 4023, 4035
	P.51238	Coupling and sleeve assembly – Front	1	Hardy Spicer
11	K.9072	Flange yoke – Front coupling	1	
12	5039570	Joint – Universal – Journal and needle bearing pack ..	1	
13	9204098	Snap ring	4	
14	9217007	Greaser – Universal joint	1	
15	K.9171	Sleeve yoke – Sliding joint	1	
16	9217013	Greaser – Sliding joint	1	
	5039569	Flange yoke – Front coupling	1	} B.R.D. shafts
	5039570	Joint – Universal – Journal and needle bearing pack ..	1	
	9204098	Snap ring	4	
	9217007	Greaser – Universal joint	1	
	K.9171	Sleeve yoke – Sliding joint	1	
	9217013	Greaser – Sliding joint	1	
17	K.9072	Flange yoke – Rear coupling	1	Hardy Spicer shafts
17	5039569	Flange yoke – Rear coupling	1	B.R.D. shafts
18	5039570	Joint – Universal – Journal and needle bearing pack ..	1	
19	9204098	Snap ring	4	
20	9217007	Greaser – Universal joint	1	
	3021598	Bolt – Special – Coupling flanges	12	3023
	3021605	Bolt – Special – Front coupling flanges	4	4023, 4035
	3021598	Bolt – Special – Centre and rear coupling flanges	8	4023, 4035
	5220731	Nut	12	
		N.B. Bolts 3021598 and 3021605 have U.N.F. Screw Thread, the previously specified B.S.F. Bolts are now deleted.		
		Support Brackets and Bearings – Centre universal joint ..		See Page F6

PROPELLER SHAFT

Plate Ref.	Part Number	DESCRIPTION	No. per Veh.	REMARKS
MODELS KCH and KCV				
Applicable to vehicles built FROM Chassis Nos. :				
2523 1st Production				
3023 019366				
4023, 4035 018997				
3062361	Shaft – Front assembly complete less rear coupling flange ..	1	2523, 3023, 4023 4035
3062362	Shaft – Front assembly complete less rear coupling flange ..	1	
5039569	Flange yoke – Front coupling	1	
5039570	Joint – Universal – Journal and needle bearing pack ..	1	
9204098	Snap ring	4	
5057500	Greaser – Universal joint	1	
3062364	Coupling – Splined – Rear for front shaft	1	} Not supplied with the Front Shaft
9067080	Washer – Plain	1	
9034078	Nut – Securing coupling to rear of front shaft	1	
3061994	Shaft – Rear assembly complete	1	2523, 3023, 4023, 4035
5039569	Flange yoke – Front and rear couplings	2	
5039570	Joint – Universal – Journal and needle bearing pack ..	2	
9204098	Snap ring	8	
5057500	Greaser – Universal joint	2	
K.9171	Sleeve yoke – Sliding joint	1	
9217013	Greaser – Sliding joint	1	
3021598	Bolt – Special – Coupling flanges	12	
3021605	Bolt – Special – Front coupling flanges	4	2523, 3023 4023, 4035 4023, 4035
3021598	Bolt – Special – Centre and rear coupling flanges	8	
5220731	Nut	12	
		Support Brackets and Bearings – Centre universal joint ..		See Page F6

PROPELLER SHAFT

Plate Ref.	Part Number	DESCRIPTION	No. per Veh.	REMARKS
		MODELS KAL, KAB, KCL and KCB		Check Chassis No.
		Applicable to vehicles built UP TO Chassis Nos. : KAL, KAB 3023, 4023, 4035, 6035 All vehicles KCL, KCB 3023 018981 KCL, KCB 4023 019370 KCL, KCB 4035 018996		
		N.B. Propeller shafts shown below may be of Hardy Spicer or B.R.D. manufacture – when ordering components please identify the manufacturer where necessary.		
	3049525	Shaft – Front assembly complete less rear coupling flange ..	1	3023, 4023
	3049524	Shaft – Front assembly complete less rear coupling flange ..	1	4035, 6035
	K.22315	Flange yoke – Front coupling	1	Hardy Spicer shafts
	5044998	Flange yoke – Front coupling	1	B.R.D. shafts
	K.22318	Joint – Universal – Journal and needle bearing pack ..	1	
	K.17463	Snap ring	4	
	9217011	Greaser – Universal joint	1	
	3049522	Coupling – Rear for front shaft	1	} Not supplied with the Front Shaft
	9551123	Nut – Securing coupling to rear of front shaft	1	
	3049523	Shaft – Rear assembly complete	1	3023, 4023, 4035, 6035
	5039314	Coupling and sleeve assembly – Front	1	Hardy Spicer shafts
	K.22315	Flange yoke – Front coupling	1	
	K.22318	Joint – Universal – Journal and needle bearing pack ..	1	
	K.17463	Snap ring	4	
	9217011	Greaser – Universal joint	1	
	5039292	Sleeve yoke – Sliding joint	1	
	9217013	Greaser – Sliding joint	1	
	5044998	Flange yoke – Front coupling	1	} B.R.D. shafts
	K.22318	Joint – Universal – Journal and needle bearing pack ..	1	
	K.17463	Snap ring	4	
	9217011	Greaser – Universal joint	1	
	5057501	Sleeve yoke – Sliding joint	1	
	9217013	Greaser – Sliding joint	1	Hardy Spicer shafts
	K.22315	Flange yoke – Rear coupling	1	B.R.D. shafts
	5044998	Flange yoke – Rear coupling	1	
	K.22318	Joint – Universal – Journal and needle bearing pack ..	1	
	K.17463	Snap ring	4	
	9217011	Greaser – Universal joint	1	
	3017688	Bolt – Special – Coupling flanges	12	
	9664283	Washer – Shakeproof	12	
	5220704	Nut	12	
		Support Brackets and Bearings – Centre Universal joint ..		See Page F7

PROPELLER SHAFT

Plate Ref.	Part Number	DESCRIPTION	No. per Veh.	REMARKS
		<p>MODELS KCL and KCB</p> <p>Applicable to vehicles built FROM Chassis Nos. :</p> <p>2523 1st Production</p> <p>3023 018982</p> <p>4023 019371</p> <p>4035 018997</p>		Check Chassis No.
	3061953	Shaft – Front assembly complete less rear coupling flange ..	1	2523, 3023, 4023 4035
	3061952	Shaft – Front assembly complete less rear coupling flange ..	1	
	5040690	Flange yoke – Front coupling	1	
	K.23645	Joint – Universal – Journal and needle bearing pack ..	1	
	K.17463	Snap ring	4	
	9217013	Greaser – Universal joint	1	
	3057956	Coupling – Rear for front shaft	1	} Not supplied with the Front Shaft
	W.14950	Nut – Securing coupling to rear of front shaft	1	
	3057945	Shaft – Rear assembly complete	1	2523, 3023, 4023, 4035
	5040690	Flange yoke – Front and rear couplings	2	
	K.23645	Joint – Universal – Journal and needle bearing pack ..	2	
	K.17463	Snap ring	8	
	9217013	Greaser – Universal joint	2	
	5040698	Sleeve yoke – Sliding joint	1	
	9217013	Greaser – Sliding joint	1	
	3017688	Bolt – Special – Coupling flanges	12	
	9664283	Washer – Shakeproof	12	
	5220704	Nut	12	
		Support Brackets and Bearings – Centre Universal joint ..		See Page F7

PROPELLER SHAFT

Plate Ref.	Part Number	DESCRIPTION	No. per Veh.	REMARKS
		MODELS KAL, KAF, KCL and KCF Applicable to vehicles built UP TO Chassis Nos. : KAL 6055 All vehicles KCL 6055 019039		Check Chassis No.
	3053868	Shaft – Front assembly complete less rear coupling flange ..	1	
	5044998	Flange yoke – Front coupling	1	
	K.22318	Joint – Universal – Journal and needle bearing pack ..	1	
	K.17463	Snap ring	4	
	9217011	Greaser – Universal joint	1	
	3049522	Coupling – Rear for front shaft	1	} Not supplied with the Front Shaft
	9551123	Nut – Securing coupling to rear of front shaft	1	
	3049523	Shaft – Rear assembly complete	1	
	5044998	Flange yoke – Front and rear couplings	2	
	K.22318	Joint – Universal – Journal and needle bearing pack ..	2	
	K.17463	Snap ring	8	
	9217011	Greaser – Universal joint	2	
	5057501	Sleeve yoke – Sliding joint	1	
	9217013	Greaser – Sliding joint	1	
		Applicable to vehicles built FROM Chassis Nos. : KAF, KCF 6055 1st Production KCL 6055 019040		
	3057944	Shaft – Front assembly complete less rear coupling flange ..	1	
	5040690	Flange yoke – Front coupling	1	
	K.23645	Joint – Universal and needle bearing pack	1	
	K.17463	Snap ring	4	
	9217013	Greaser – Universal joint	1	
	3057956	Coupling – Rear for front shaft	1	} Not supplied with the Front Shaft
	W.14950	Nut – Securing coupling to rear of front shaft	1	
	3057945	Shaft – Rear assembly complete	1	
	5040690	Flange yoke – Front and rear couplings	2	
	K.23645	Joint – Universal – Journal and needle bearing pack ..	2	
	K.17463	Snap ring	8	
	9217013	Greaser – Universal joint	2	
	5040698	Sleeve yoke – Sliding joint	1	
	9217013	Greaser – Sliding joint	1	
	3017688	Bolt – Special – Coupling flanges	12	
	9664283	Washer – Shakeproof	12	
	5220704	Nut	12	
		Support Bracket and Bearings – Centre Universal joint ..		See Page F7

PROPELLER SHAFT

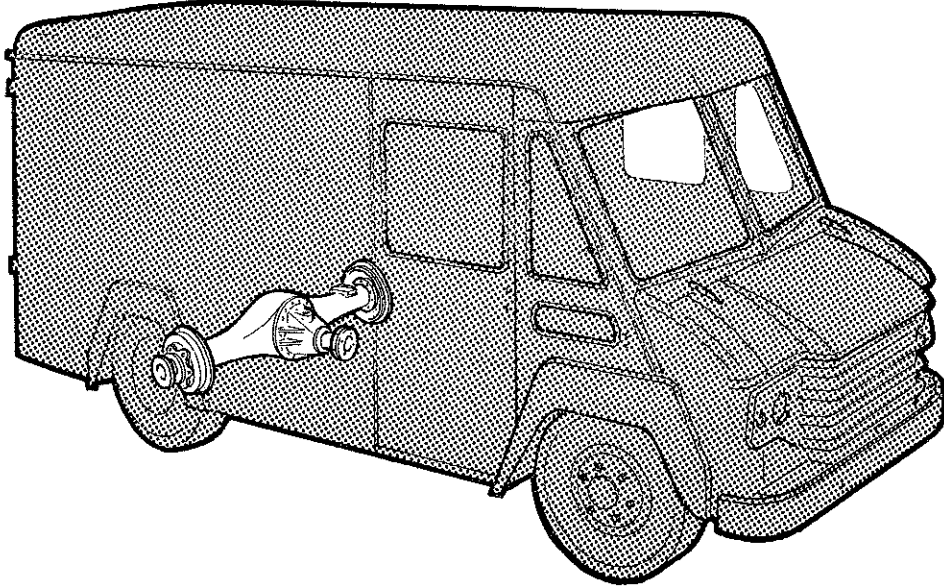
Plate Ref.	Part Number	DESCRIPTION	No. per Veh.	REMARKS
		SUPPORT BRACKETS and BEARINGS CENTRE UNIVERSAL JOINT and REAR OF FRONT SHAFT MODELS KAH, KAD, KAV, KCH and KCV Applicable to vehicles built up to chassis numbers :- KAH, KAD, KAV, 3023, 4023, 4035 – All vehicles. KCH, KCV, 3023 – 019365. KCH, KCV, 4023, 4035 – 018996.		Check Chassis No.
30	P.99211	Housing – Upper – Support bracket	1	
31	P.99212	Housing – Lower – Support bracket	1	
32	P.95334	Stud – Securing housings to frame	2	B.S.F. Thread
33	9608075	Nut – Self-locking	2	
34	P.95342	Tube assembly – Bearing	1	
35	P.95335	Tube – Bearing	1	
36	P.95333	Bush – Rubber cushion – Bearing tube	1	
37	9188012	Bearing – Propeller shaft and centre joint support	1	
	9067340	Washer – .128" (32.2 mm.) thick – Spacing	1	
	3021479	Washer – Spacing	1	
38	P.95336	Seal – Bearing	2	
39	P.95337	Excluder – Water	2	
40	9217025	Greaser – Bearing	1	
	9217338	Extension – Greaser	1	
	W.16803	Washer – Fibre	1	
		MODELS KCH and KCV Applicable to vehicles built from Chassis numbers :- 2523 1st Production 3023 019366 4023, 4035 018997.		Check Chassis No.
41	3062363	Bearing and support assembly – Propeller shaft centre joint	1	
42	75061080	Retainer – Straps – Support assembly to frame	1	
43	75061081	Cushion – Rubber	1	
	75061084	Strip – Cushion to lower retainer strap retaining	1	
44	75061082	Bearing assembly	1	
45	75061083	Excluder – Water	2	
	19506111	Screw – Bearing and support assembly to frame	2	
	9067060	Washer – Plain	4	
	9553083	Nut – Self-locking	2	

PROPELLER SHAFT

Plate Ref.	Part Number	DESCRIPTION	No. per Veh.	REMARKS
<p>SUPPORT BRACKETS and BEARINGS CENTRE UNIVERSAL JOINT and REAR OF FRONT SHAFT</p>				
<p>MODELS KAL, KAB, KCL and KCB</p>				
<p>Applicable to vehicles built up to Chassis numbers:- KAL, KAB 3023, 4023, 4035, 6035, 6055 – All vehicles KCL, KCB 3023 – 018981. KCL, KCB 4023 – 019370. KCL, KCB 4035 – 018996. KCL 6055 – 019039.</p>				
	P.99211	Housing – Upper – Support bracket	1	
	P.99212	Housing – Lower – Support bracket	1	
	P.95334	Stud – Securing housings to frame	2	B.S.F. Thread
	9608075	Nut – Self-locking	2	
	P.95342	Tube assembly – Bearing	1	
	P.95335	Tube – Bearing	1	
	P.95333	Bush – Rubber cushion – Bearing tube	1	
	9188012	Bearing – Propeller shaft and centre joint support	1	
	3017687	Spacer	1	
	3017689	Seal – Bearing	2	
	P.95337	Excluder – Water	2	
	9217025	Greaser – Bearing	1	
	9217338	Extension – Greaser	1	
	W.16803	Washer – Fibre	1	
<p>MODELS KAF, KCL, KCB and KCF</p>				
<p>Applicable to vehicles built from chassis numbers:- KAF 6055 – 1st Production KCL, KCB 3023 – 018982. KCL, KCB 4023 – 019371. KCL, KCB 4035 – 018997. KCL 6055 – 019040. KCF 6055 – 1st Production.</p>				
	3057807	Bearing and support assembly – Propeller shaft centre joint	1	
	5044232	Retainer – Straps – Support assembly to frame	1	
	5044233	Cushion – Rubber	1	
	5044234	Bearing assembly	1	
	5044235	Excluder – Water	2	
	19508112	Screw – Bearing and support assembly to frame	2	
	9067060	Washer – Plain	4	
	9553083	Nut – Self-locking	2	

SECTION G

REAR AXLE



REAR AXLE

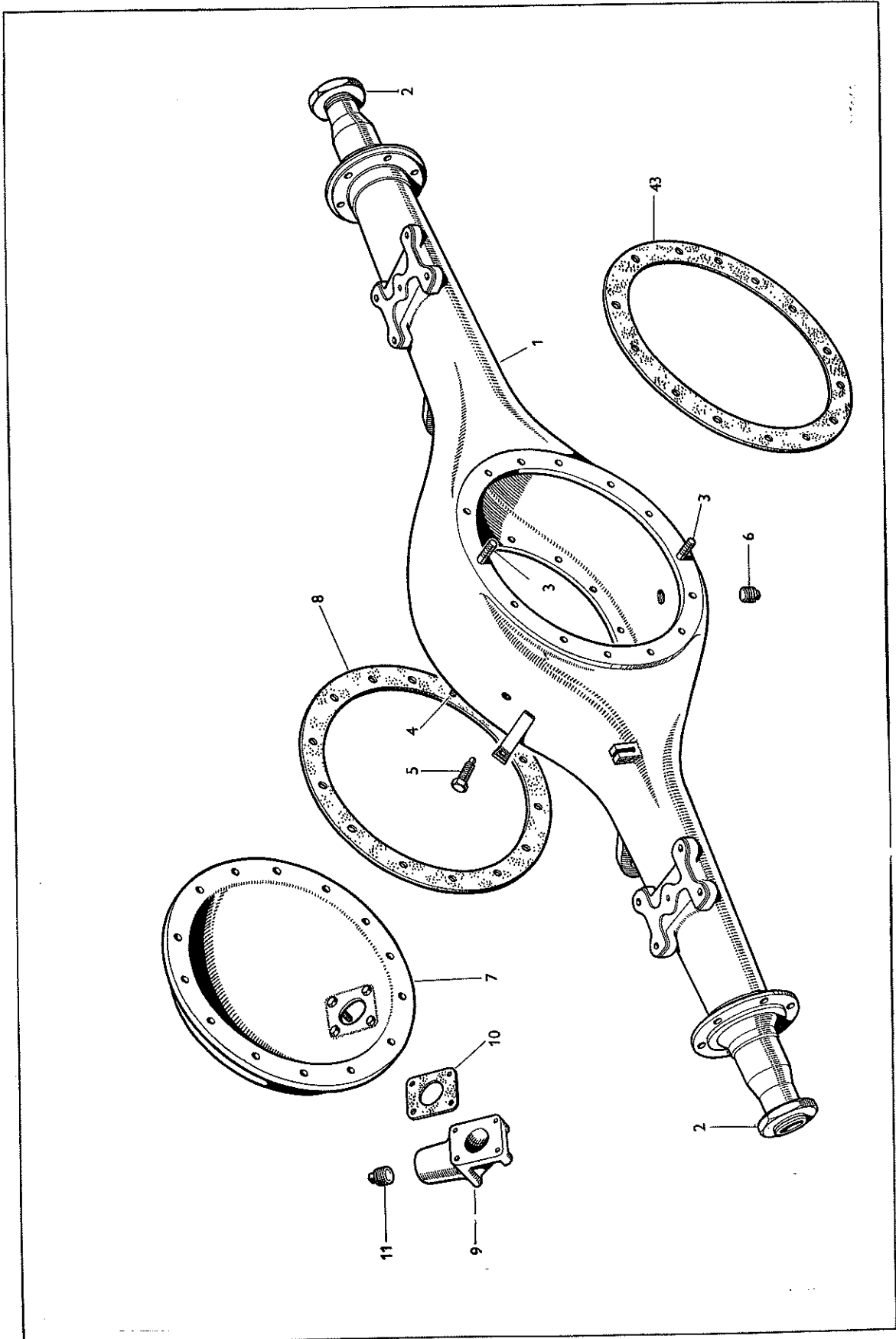


PLATE A - SECTION G

REAR AXLE

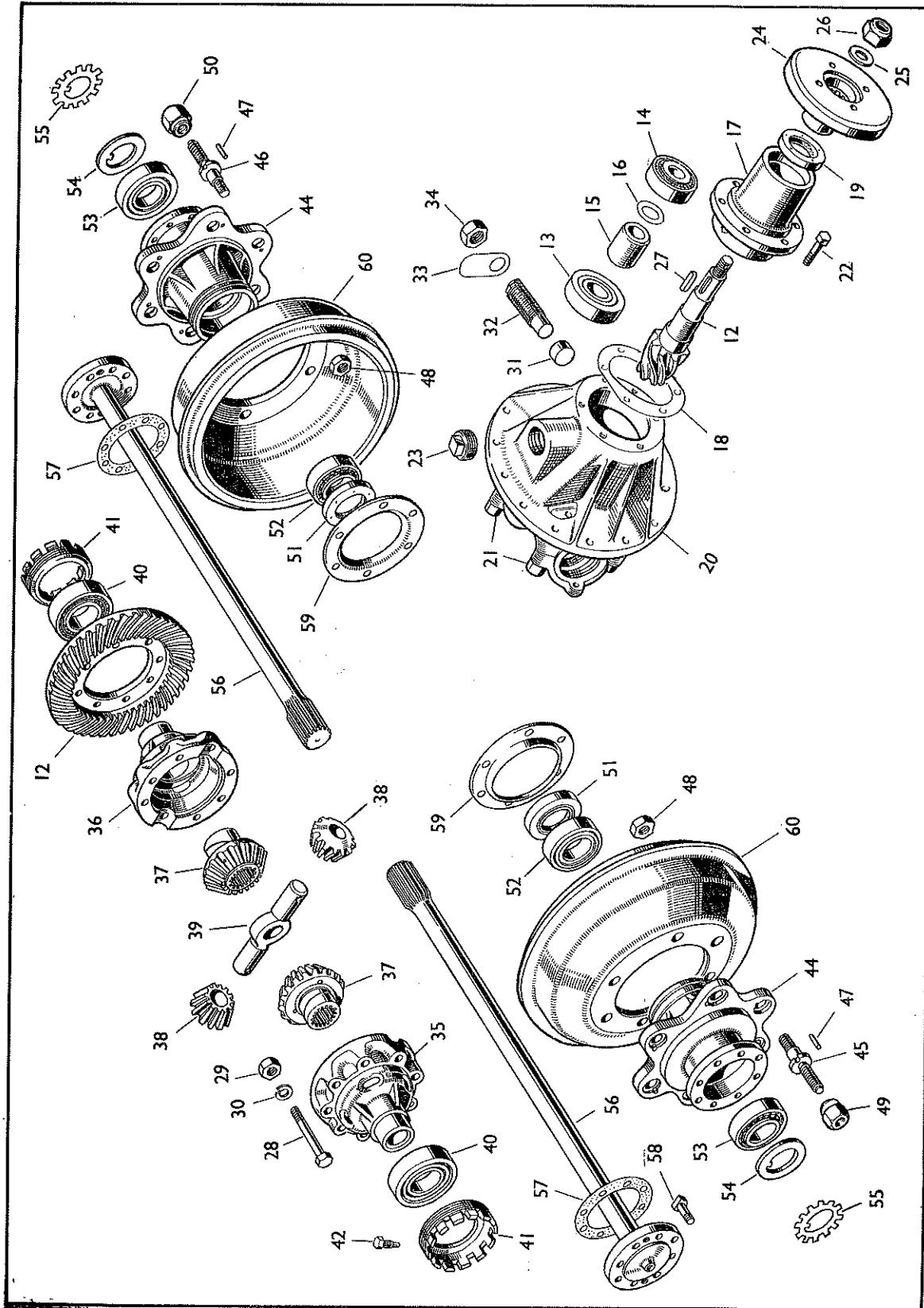


PLATE B - SECTION G

REAR AXLE

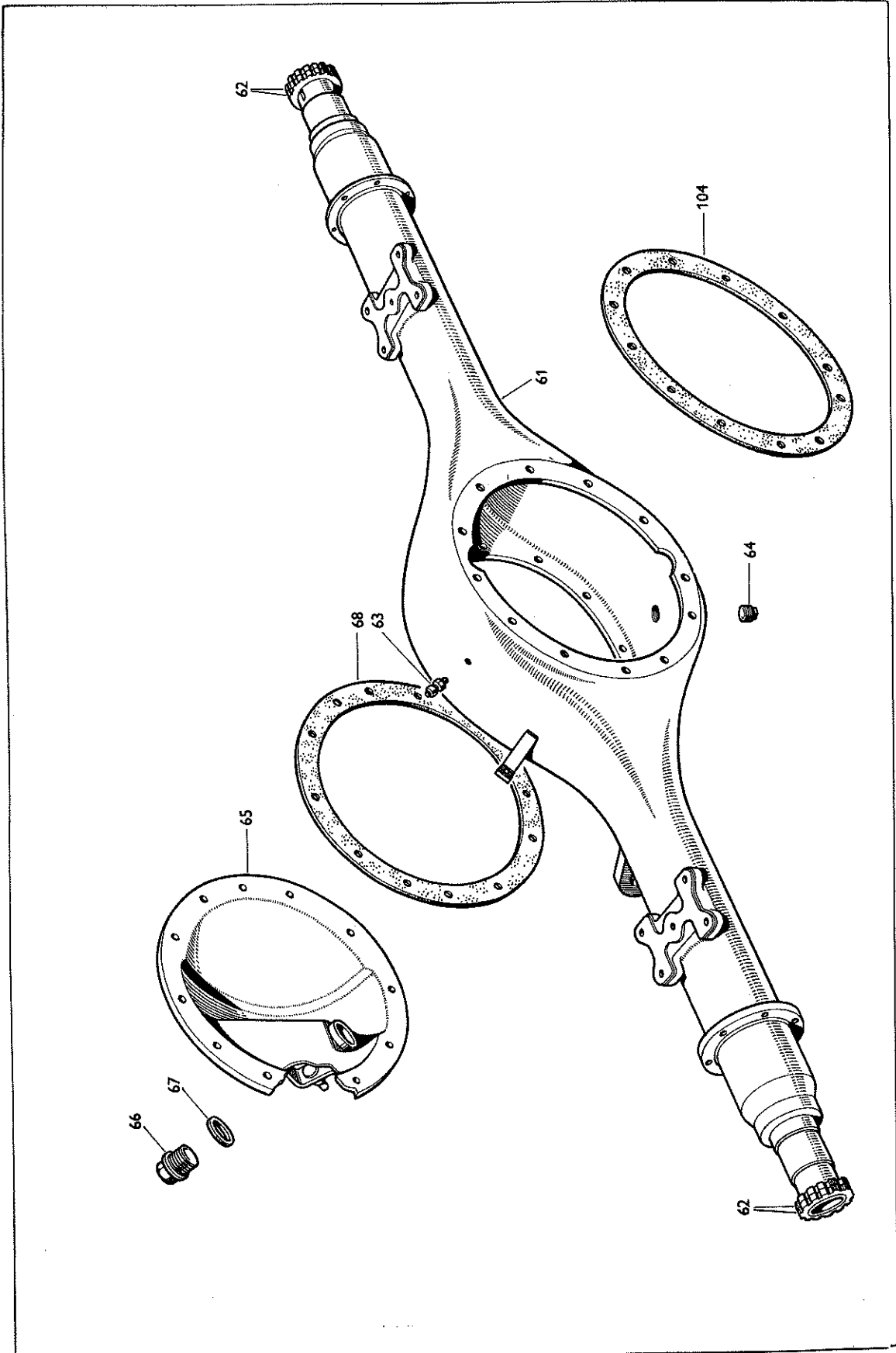


PLATE C - SECTION G

REAR AXLE

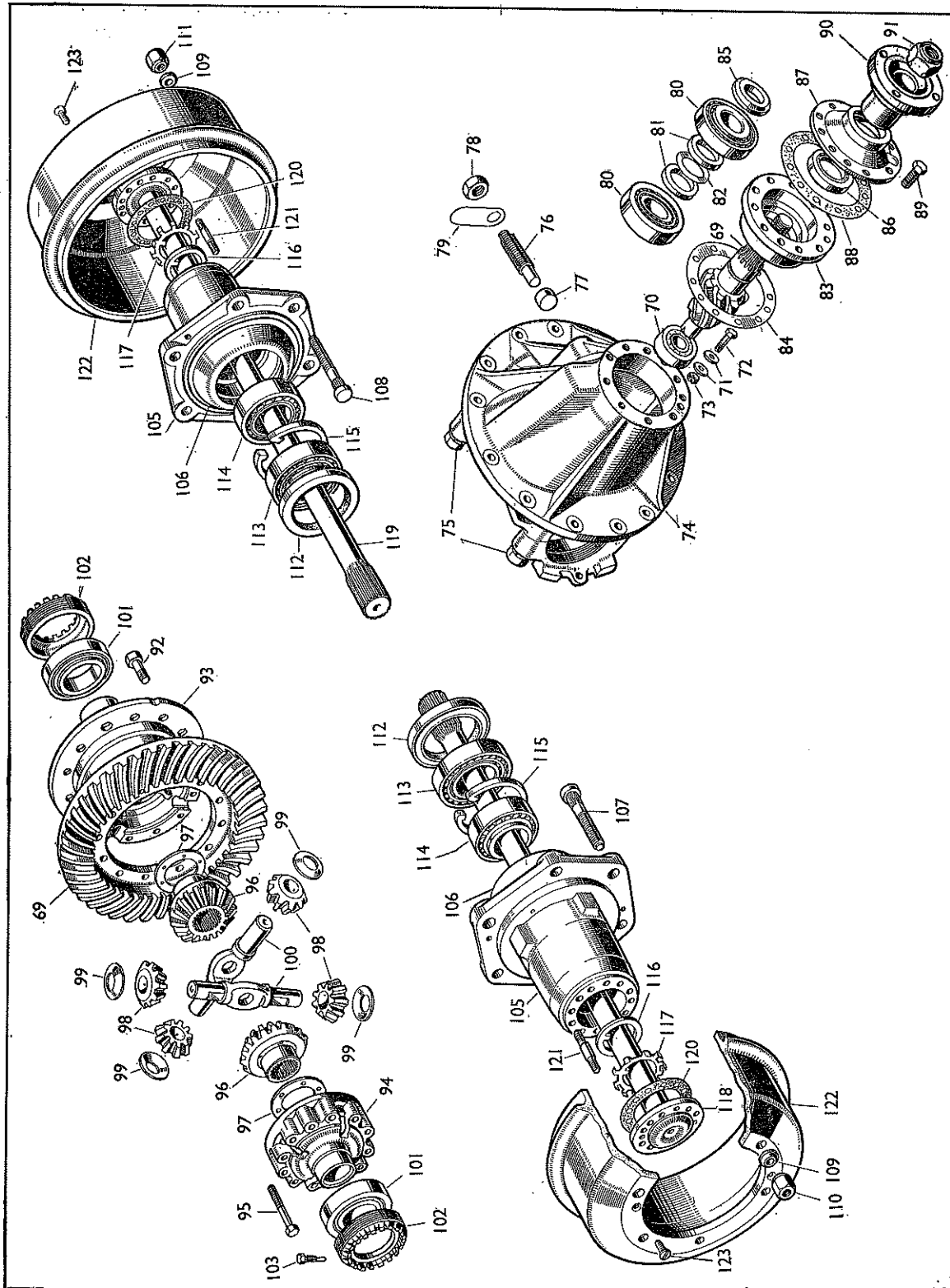


PLATE D - SECTION G

REAR AXLE

Plate Ref.	Part Number	DESCRIPTION	No. per Veh.	REMARKS
		REAR AXLE – KA-D/H/V } 2523 KC-H/V } 3023		
		AXLE – REAR – ASSEMBLY Not supplied		
A1	5200409 s/d 5200536	CASING – ASSEMBLY	1	See Note 1 Page G3
A2	9029071	Nut – Bearing lock	4	
A3	P.51511	Stud – Dowel – Carrier to casing	2	
A4	P.63432	Stud – Cover locating	1	
	5220216	Nut – Carrier to casing studs	2	
	9660243	Washer	2	
	9600071	Nut – Cover locating stud	1	
	9660283	Washer	1	
	19006093	Bolt – Carrier to casing	12	
	9660243	Washer	12	
A5	P.24088	Vent – Air	1	
A6	9805060	Plug – Oil drain	1	
A7	3049663	Cover – Rear – Casing	1	
A8	P.21005	Gasket	1	
	19006045	Setscrew	13	
	9660243	Washer	13	
A9	6674637	Filler – Oil	1	
A10	6674645	Gasket – Filler to cover	1	
	9510041	Nut	4	
	9660163	Washer	4	
A11	9803166	Plug – Oil filler	1	
	5200536	CASING – ASSEMBLY	1	See Note 2 Page G3
	9029071	Nut – Bearing lock	4	
	P.51511	Stud – Dowel – Carrier to casing	2	
		Cover – Rear Not supplied		
	9600062 s/d 5032359	Nut – Carrier to casing studs	2	
	9660243	Washer	2	
	19006093	Bolt	12	
	9660243	Washer	12	
	P.24088	Vent – Air .5" B.S.P. – Alternative to K.22227	1	
	K.22227	Vent – Air .25" B.S.P. – Alternative to P.24088	1	
	9805060	Plug – Oil drain	1	
	6674637	Filler – Oil – Outboard – Alternative to 9805060	1	
	6674645	Gasket – Filler to cover	1	
	9510041	Nut	4	
	9660163	Washer	4	
	9803166	Plug – Oil filler	1	
	9805060	Plug – Oil filler – Alternative to 6674637	1	

REAR AXLE

Plate Ref.	Part Number	DESCRIPTION	No. per Veh.	REMARKS
		AXLE - REAR - ASSEMBLY - continued		
	W.68685	DIFFERENTIAL - ASSEMBLY - 5.57:1 Ratio	1	} See Note 3 Page G3
	75200998	Differential - Assembly - 5.14:1 Ratio	1	
B12	W.68606	Crown wheel and pinion set - 5.57:1 Ratio	1	
	W.68604	Crown wheel and pinion set - 5.14:1 Ratio	1	
B13	9192062	Bearing - Inner - Pinion	1	
B14	9192043	Bearing - Outer	1	
B15	W.13232	Spacer - Bearing	1	
B16	W.13228	Shim .003" (-0762 mm.) - Spacer to bearing	A/R	
	W.13229	Shim .005" (-1270 mm.)	A/R	
	W.13230	Shim .012" (-3048 mm.)	A/R	
B17	W.44566	Housing - Pinion	1	
B18	W.13225	Shim .003" (-0762 mm.) - Housing to carrier	A/R	
	W.13226	Shim .005" (-1270 mm.)	A/R	
	W.13227	Shim .012" (-3048 mm.)	A/R	
B19	64745	Oil seal - Pinion	1	
B20	P.62579	CARRIER - ASSEMBLY - Gear and pinion	1	
B21	19010224	Bolt - Bearing caps	4	
	9660403	Washer	4	
B22	19006106	Setscrew - Pinion housing to carrier	6	
	9661243	Washer	6	
B23	9804120	Plug - Oil filler	1	
B24	W.40313 s/d 3054557	FLANGE - COUPLING	1	
B25	9067078 s/d 5220710	Washer - Flange to pinion	1	See Note 4 Page G3
B26	9609125 s/d 9034078	Nut	1	
B27	52146	Key	2	
	3054557	FLANGE - COUPLING	1	
	9067080	Washer - Flange to pinion	1	See Note 4 Page G3
	9609125 s/d 9034078	Nut	1	
	52146	Key	2	
B28	W.13964	BOLT - CROWN WHEEL TO DIFFERENTIAL CASE	8	
B29	W.13965	Nut	8	
B30	9660323	Washer	8	
B31	P.59971	Pad - Thrust	1	
B32	P.95427	Stud	1	
B33	P.64864	Tabwasher	1	
B34	9029022	Locknut	1	
B35/36	W.45263 s/d 3055818	CASE - DIFFERENTIAL - ASSEMBLY	1	
B37	W.45264	Wheel - Bevel - Differential - 18 teeth	See Note	Early condition
	73145504	Wheel - Bevel - Differential - 16 teeth	See Note	Late condition
B38	P.64277	Pinion - 12 teeth	See Note	Early condition
	73145505	Pinion - 9 teeth	See Note	Late condition
		NOTE: Early and Late conditions of Bevel Wheels and Pinions are interchangeable when used as a set.		
B39	W.13231	Pin	1	
B40	9192164	Bearing - Differential support	2	
B41	60005	Adjuster - Bearing	2	
B42	66160	Pin - Adjuster locking	2	
	9660243	Washer	2	
A43	P.21004	Gasket - Carrier to casing	1	
B44	P.91996 s/d 3059901	HUB - REAR - Less studs	2	} See Note 5 Page G3 - Studs locked in hub by dowels
B45	P.62149	Stud - Wheel - R.H. - R.H. thread	6	
B46	P.62150	Stud - Wheel - L.H. - L.H. thread	6	
B47	P.61021	Dowel	12	

REAR AXLE

Plate Ref.	Part Number	DESCRIPTION	No. per Veh.	REMARKS
		AXLE – REAR – ASSEMBLY – continued		
	3059901	Hub – Rear	2	} See Note 6 – Studs locked in hub by serrations
	3024962	Stud – Wheel – R.H. – R.H. thread	6	
	3024963	Stud – Wheel – L.H. – L.H. thread	6	
B48	2464	Backnut – Wheel stud	12	
B49	W.16063 s/d 73028906	Nut – Wheel – R.H. – R.H. thread	6	
B50	W.16064 s/d 73028907	Nut – Wheel – L.H. – L.H. thread	6	
B51	9102176	Oil seal	2	
B52	9192078	Bearing – Inner	2	
B53	9192160	Bearing – Outer	2	
B54	P.61846	Washer – Safety	2	
B55	P.61848	Lockwasher – Bearing nut	2	
B56	W.46357	SHAFT – AXLE	2	
B57	P.61917	Gasket – Shaft to hub	2	
B58	P.61918	Bolt	16	
	9600051	Nut	16	
	9660203	Washer	16	
B59	P.95431	Catcher – Oil	2	
	19006093	Bolt – Catcher and back plate to casing	12	
	9606066	Nut	12	
B60		Drum – Brake	2	} See Brakes and Controls See Road Wheel Section
		ROAD WHEEL Nave Plate		
		NOTE 1. Fitted up to chassis numbers listed in Note 2.		
		NOTE 2. Fitted from chassis numbers: KA 3023 – 004131 KA 4023 – 002175 KA 4035 – 000438 KA 6035 – 000406. All 2523 models.		
		NOTE 3. Model applications: KAH 3023 } 5-14:1 KCH 3023 } 5-57:1 KAV 3023 } Ratio KAD 3023 } Ratio KCV 3023 } KCH 2523 }		
		NOTE 4. 9067080 Washer ONLY must be used with 3054557 Flange.		
		NOTE 5. Fitted up to chassis numbers listed in Note 6.		
		NOTE 6. Fitted from chassis numbers: KC 3023 – 014638-9 – 014641-5 – 014647 onwards. All 2523 models.		

REAR AXLE

Plate Ref.	Part Number	DESCRIPTION	No. per Veh.	REMARKS
		REAR AXLE: KAB } 25-30-40-6035 KCB } KA-D/H/V } 40 KC-H/V } KAL } 30-40-60 KCL } KAF } 6055 KCF }		
		AXLE – REAR – ASSEMBLY Notsupplied		
C61	3049660 s/d 3053729	CASING – ASSEMBLY	1	See Note 1 Page G7 and Data 2D-94
C62	3017781	Nut – Bearing lock	4	
C63	W.15840	Vent – Air	1	
	9078019	Washer	1	
C64	9805060	Plug – Drain	1	
C65	3051155	Cover – Rear – Casing	1	
C66	3017415	Plug – Oil filler and level	1	
C67	W.13141	Washer	1	
C68	W.13006	Gasket – Cover to casing	1	
	19507081	Setscrew	12	
	9661281	Washer	12	
	3053729 s/d 3055886	CASING – ASSEMBLY	1	
	3055886 s/d 5200709	CASING – ASSEMBLY	1	
	5200709	CASING – ASSEMBLY	1	
	3017781	Nut – Bearing lock	4	
	W.15840	Vent – Air ·125” B.S.P. – To K.22227	1	
	K.22227	Vent – Air ·250” B.S.P. – Alternative to W.15840	1	
	9078019	Washer	1	
	9805060	Plug – Drain	1	
	3017415	Cover – Rear – Casing Notsupplied		
	3017415	Plug – Oil filler and level	1	
	W.13141	Washer	1	
	75200989	CASING – ASSEMBLY – R.H.D.	1	See Note 4 Page G7 and Data 2D-94
	75200990	Casing – Assembly – L.H.D.	1	
	3017781	Nut – Bearing lock	4	
	K.22227	Vent – Air	1	
	9078019	Washer	1	
	9805060	Plug – Drain	1	
	3017415	Plug – Oil filler and level	1	
	W.13141	Washer	1	
		Cover – Rear – Casing Not supplied		

*N2 vehicles ordered with
6:1 rear axle ratio*

REAR AXLE

Ref. Ref.	Part Number	DESCRIPTION	No. per Veh.	REMARKS
		AXLE - REAR - ASSEMBLY - continued		
	5200351	DIFFERENTIAL - ASSEMBLY 4-875:1 RATIO	1	See Note 7 Page G8 for Model Application
	5200352 s/d 5200449	Differential - Assembly 5-43:1	1	
	5200353	Differential - Assembly 5-43:1	1	
	5200354	Differential - Assembly 6-00:1	1	
	5200355 s/d 5200757	Differential - Assembly 6-00:1	1	
	5200450 s/d 5200757	Differential - Assembly 6-00:1	1	
	5200356	Differential - Assembly 6-57:1	1	
	5200357	Differential - Assembly 6-57:1	1	
	W.68495	Crown wheel and pinion set 4-875:1 Ratio	1	
	5200668 s/d W.68480	Crown wheel and pinion set 5-43:1	1	
	W.68480	Crown wheel and pinion set 5-43:1	1	
	W.68494	Crown wheel and pinion set 6-00:1	1	
	W.68640	Crown wheel and pinion set 6-57:1	1	
D70	9194003	Bearing - Pilot - Pinion	1	
D71	3017850	Washer - Bearing retaining	2	
D72	W.13048	Bolt	1	
D73	9540041	Nut	1	
D74	W.71432	CARRIER - ASSEMBLY - Gear and pinion	1	
D75	W.13008	Bolt - Bearing caps	4	
	9660481	Washer	4	
D76	P.61783	Stud - Thrust pad	1	
D77	P.59971	Pad - Thrust	1	
D78	9029022	Locknut	1	
D79	P.64864	Tabwasher	1	
D80	9192071	Bearing - Bevel pinion	2	
D81	W.13016	Spacer	2	
D82	W.13017	Shim - Bearing .003" (-0762 mm.)	A/R	
	W.13018	Shim - Bearing .005" (-1270 mm.)	A/R	
	W.13019	Shim - Bearing .012" (-3048 mm.)	A/R	
D83	W.44013	Housing - Pinion	1	
D84	W.13013	Shim .003" (-0762 mm.) - Housing to carrier	A/R	
	W.13014	Shim .005" (-1270 mm.)	A/R	
	W.13015	Shim .012" (-3048 mm.)	A/R	
D85	W.13041	Spacer	1	
D86	9102220 s/d 1800613	Oil seal	1	
D87	W.44012	Housing - Oil seal	1	
D88	W.13012 s/d 3020221	Gasket	1	
D89	19607102	Setscrew - Housings to carrier	10	
	9661283	Washer	10	
D90	3050708 s/d 3059048	FLANGE - COUPLING .. See Note 5 Page G7	1	See Note 7 Page G8 for Model Application
	3059048	Flange - Coupling .. See Note 6 Page G7	1	
	3049667 s/d 3059046	Flange - Coupling .. See Note 5 Page G7	1	
	3059046	Flange - Coupling .. See Note 6 Page G7	1	
	3024421	Shroud	1	
D91	W.14950	Nut - Flange	1	
D92	W.13023	Bolt - Crown wheel to differential box	12	
	9660323	Washer	12	

REAR AXLE

Plate Ref.	Part Number	DESCRIPTION	No. per Veh.	REMARKS
		AXLE - REAR - ASSEMBLY - continued		
		DIFFERENTIAL - ASSEMBLY - continued		
D93-94	W.44810 s/d 3055999	CASE - DIFFERENTIAL - ASSEMBLY	1	
D95	19407221	Bolt	12	
	9660283	Washer	12	
D96	W.44015	Wheel - Bevel	2	
D97	W.13021	Washer - Thrust - Bevel wheel	2	
D98	W.44016	Pinion	4	
D99	W.13022	Washer - Thrust - Pinion	4	
D100	W.44017	Pin - Cross	2	
D101	9192089	Bearing - Differential support	2	
D102	W.13009	Adjuster - Bearing	2	
D103	W.13010	Pin - Adjuster locking	2	
	9660243	Washer	2	
C104	W.13007	Gasket - Carrier to casing	1	
	W.13005	Setscrew	12	
	9660281	Washer	12	
D105	3049647	HUB - REAR - ASSEMBLY	2	
D106		Catcher - Oil Notsupplied		} KA-B/D/H/L/V - 40 KC-B/H/L/V - 40 KA-L/B - 6035 KC-L/B - 6035
D107	3019667	Stud - Wheel - R.H. - R.H. thread	6	
D108	3019668	Stud - Wheel - L.H. - L.H. thread	6	
D109	3019671	Collar	12	
D110	W.16063 s/d 73028906	Nut - Wheel - R.H. - R.H. thread	6	
D111	W.16064 s/d 73028907	Nut - Wheel - L.H. - L.H. thread	6	
	3049647	HUB - REAR - ASSEMBLY	2	} KA-B/L - 30 KC-B/L - 30 KC-B - 25
		Catcher - Oil Notsupplied		
	3019669	Stud - Wheel - R.H. - R.H. thread	6	
	3019670	Stud - Wheel - L.H. - L.H. thread	6	
	W.16063 s/d 73028906	Nut - Wheel - R.H. - R.H. thread	6	
	W.16064 s/d 73028907	Nut - Wheel - L.H. - L.H. thread	6	
D112	1046962	Oil seal	2	
D113	9192174	Bearing - Inner	2	
D114	9192175	Bearing - Outer	2	
D115	3017808	Ring - Bearing retaining	2	
D116	W.13004	Washer - Safety	2	
D117	3J17782	Lockwasher - Bearing nut	2	
D118	3049642	SHAFT - AXLE - R.H.	1	} See Note 2 Page G7
D119	3049641	SHAFT - AXLE - L.H.	1	
	3057054	SHAFT - AXLE	2	} See Note 3 Page G7
D120	W.16652	Gasket - Shaft to hub	2	
D121	3017780	Stud	24	
	9510071 s/d 5220704	Nut	24	
	9660283	Washer	24	
D122		DRUM - REAR BRAKE	2	} See Brakes and Controls
D123	39105120 s/d 39115121	Screw - Drum to hub	4	
		ROAD WHEEL See Road Wheel Section		

REAR AXLE

Plate Ref.	Part Number	DESCRIPTION	No. per Veh.	REMARKS
		<p>NOTE 1. Fitted up to chassis numbers listed in Note 2 – Offset casing – Detachable rear cover: Data 2D-94</p> <p>NOTE 2. Fitted from chassis numbers: KA 3023 – 004131 } KA 4023 – 002175 } Offset casing – Non KA 4035 – 000438 } detachable rear cover – KA 6035 – 000406 } Data 2D-94 up to chassis numbers listed in Note 3.</p> <p>NOTE 3. Fitted from chassis numbers: KA - B/L 3023 – 005940 KA - B/L 4023 – 005926 KA - B/L 4035 – 006085 KA - B/L 6035 – 005977 KA - D/H 4023 – 006032 KA - D/H 4035 – 006029 CKD KA - B/L 3023/4023/4035/6035 } 700021 KA - D/H 4023/4035 } onwards up to chassis numbers listed in Note 4.</p> <p>NOTE 4. Fitted from Chassis numbers: KC 30 – 018982 } KC 40 – 018997 } onwards KC 60 – 019040 } All 2523 models }</p> <p>NOTE 5. Fitted up to chassis numbers listed in Note 6.</p> <p>NOTE 6. Fitted from chassis numbers: KA - 30 } 010548/9/50 KA - L/B - 40 } 010552/3 KA - 60 } 010559 } 010561/2/3/4/5/6 } 010568 onwards KC - H/V - 40 } 015243 onwards CKD KA 700682 onwards KC 701223 onwards All 2523 models.</p>		<p>} Central casing – Data 2D-94</p>

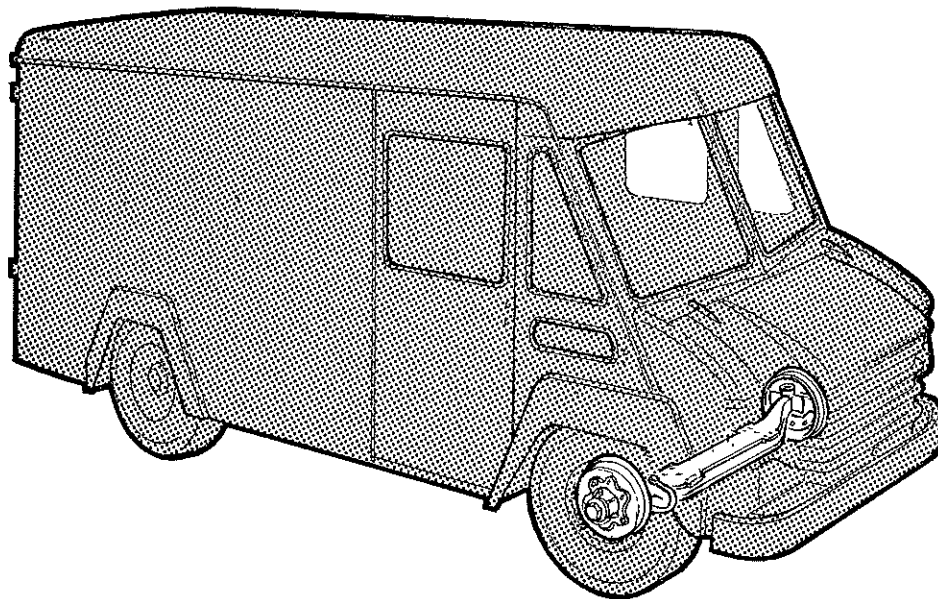
REAR AXLE

NOTE 7. MODEL APPLICATIONS

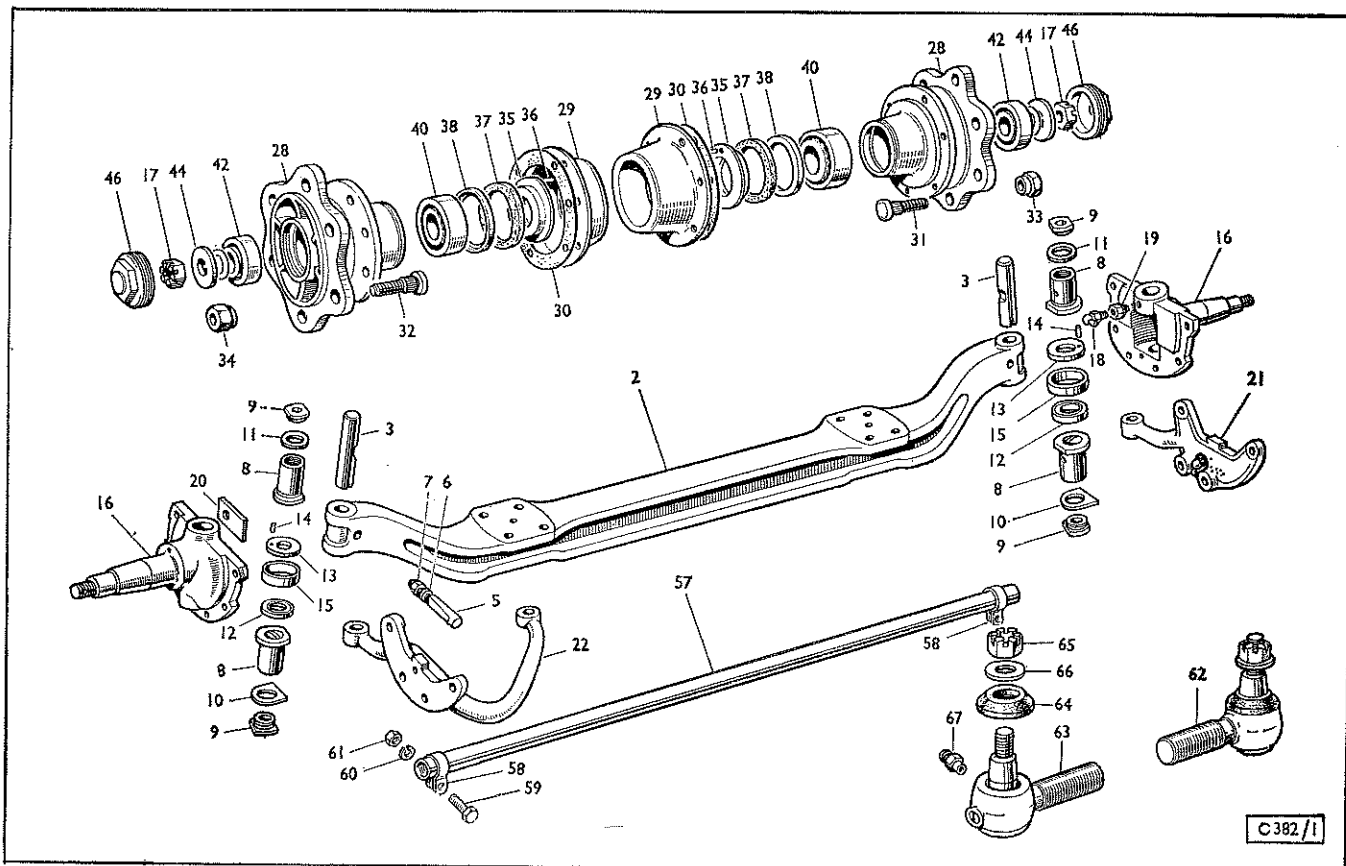
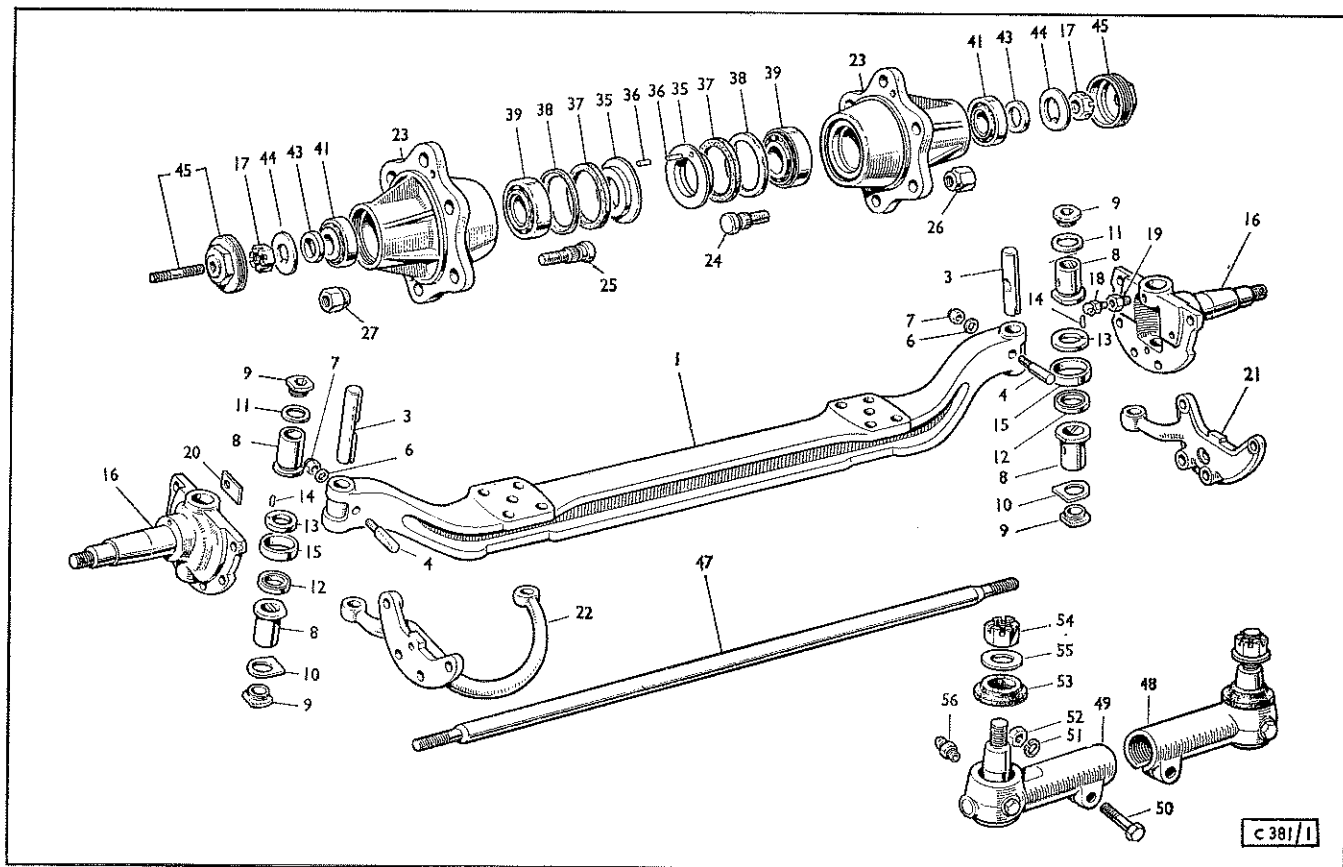
Model	Ratio	Differential Part No.	Wheel and Pinion Set Part No.	Coupling Flange Part No.
KA/C-L-30	5.43:1 standard	5200352 s/d by 5200449	W.68480	} 3049667 s/d by 3059046
KA/C-L-30	6.00:1 optional	5200355 s/d by 5200450	W.68494	
KA/C-B-30	4.875:1 standard	5200351	W.68495	
KC-B-25	4.875:1 standard	5200351	W.68495	
KA/C-H-40	6.00:1 standard	5200354	W.68494	} 3050708 s/d by 3059048
KA/C-H-40	6.57:1 optional	5200356	W.68640	
KA/C-L-40	5.43:1 standard	5200352 s/d by 5200449	W.68480	} 3049667 s/d by 3059046
KA/C-L-40	6.00:1 optional	5200355 s/d by 5200450	W.68494	
KA-D-40	6.00:1 standard	5200354	W.68494	} 3050708 s/d by 3059048
KA-D-40	5.43:1 optional	5200353	W.68480	
KA/C-V-40	6.00:1 standard	5200354	W.68494	
KA/C-V-40	5.43:1 optional	5200353	W.68480	
KA/C-B-40	4.875:1 standard	5200351	W.68495	} 3049667 s/d by 3059046
KA/C-L-60	6.00:1 standard	5200355 s/d by 5200450	W.68494	
KA/C-L-60	6.57:1 optional	5200357	W.68640	
KA-B-6035	4.875:1 standard	5200351	W.68495	
KA-B-6035	5.43:1 optional	5200352 s/d by 5200449	W.68480	
KA/C-F-6055	4.875:1 standard	5200351	W.68495	

SECTION H

FRONT AXLE AND TRACK ROD



FRONT AXLE and TRACK ROD



SECTION H

FRONT AXLE and TRACK ROD

Plate Ref.	Part Number	DESCRIPTION	No. per Veh.	REMARKS
		N.B. Complete Front Axle Assemblies are not supplied – Please order component parts as listed in this section.		
1	3049588 s/d 3060464	Bed – Axle – With .375" (9.52 mm.) hole for cotter pin ..	1	See Note 1 Page H4
2	3060464	Bed – Axle – With .5" (12.7 mm.) hole for cotter pin ..	1	See Note 2 Page H4
	5150970	Kit – Swivel pin – Standard	2	} See Note 1 Page H4 Use with 3049588
	5150971	Kit – Swivel pin – .005" (.13 mm.) Oversize	2	
	5150972	Kit – Swivel pin – .010" (.26 mm.) Oversize	2	
	5150973	Kit – Swivel pin – .015" (.38 mm.) Oversize	2	
	5151039	Kit – Swivel pin – Standard	2	} See Note 2 Page H4 Use with 3060464
	5151040	Kit – Swivel pin – .005" (.13 mm.) Oversize	2	
	5151041	Kit – Swivel pin – .010" (.26 mm.) Oversize	2	
	5151042	Kit – Swivel pin – .015" (.38 mm.) Oversize	2	
3		Pin – Swivel – Standard		} Not supplied separately – Please order Kit
		Pin – Swivel – .005" (.13 mm.) Oversize		
		Pin – Swivel – .010" (.26 mm.) Oversize		
		Pin – Swivel – .015" (.38 mm.) Oversize		
4	W.12861	Pin – Cotter – Swivel pin locking	2	} Included in Kit No. 5150970/3. See Note 1 Page H4
	9067015	Washer – Plain	2	
	9553043	Nut – Self-locking	2	
5	3025720	Pin – Cotter – Swivel pin locking	2	} Included in Kit No. 5151039/42 See Note 2 Page H4
6	9068016	Washer – Plain	2	
7	5220731	Nut – Self-locking	2	
8	5150966	Bush – Stub axle – Standard	4	
	5150967	Bush – Stub axle – .005" (.13 mm.) Oversize	4	
	5150968	Bush – Stub axle – .010" (.26 mm.) Oversize	4	
	5150969	Bush – Stub axle – .015" (.38 mm.) Oversize	4	
9	P.92030	Plug – Sealing bush	4	
10	P.92031	Lockwasher – Bottom bush plugs	2	
11	P.92032	Washer – Fibre – Top bush plugs	2	
12	3019585	Pad – Thrust	2	
13	3017732	Washer – Thrust	2	
14	P.23572	Dowel – Thrust washer	2	
15	3017733	Cover – Thrust washer	2	
	3024409	Tray – Drip – Stub axle swivel bush	2	
	73027637	Shim – .004" (.1 mm.) – Stub axle end float	A/R	
	73027638	Shim – .010" (.26 mm.) – Stub axle end float	A/R	
16	3027025	Stub axle – With hub nut	2	
17	9032012	Nut – Slotted – Securing hub and bearings	2	
18	9217027	Greaser – Swivel – Upper bush	2	
19	P.58794	Adaptor – Greaser	2	
	9217026	Greaser – Swivel – Lower bush	2	
	9078019	Washer – Fibre	0	
20	3019733	Stop – Plate – Steering lock	2	} See Note 3 Page H4
	19505062	Screw	2	
	9660203	Washer – Spring	2	
	19506082	Screw – Steering lock stop	2	
	9520061	Locknut	2	

FRONT AXLE and TRACK ROD

Plate Ref.	Part Number	DESCRIPTION	No. per Veh.	REMARKS
21	3049591	Arm - Steering - R.H. stub axle	1	} R.H.D.
22	3049590	Arm - Steering - L.H. stub axle	1	
	3049593	Arm - Steering - R.H. stub axle	1	} L.H.D.
	3049592	Arm - Steering - L.H. stub axle	1	
	19106184	Bolt - 2.25" (57.15 mm.) long - Steering arm to stub axle ..	2	
	19106164	Bolt - 2" (50.8 mm.) long - Steering arm to stub axle ..	2	
	19106124	Bolt - 1.5" (38.1 mm.) long - Steering arm to stub axle ..	4	
	9034118	Nut - Self-locking	8	
23	3051540	Hub - With oil catcher - Road wheel	2	} 2523/3023
24	3019683	Stud - R.H. wheel hub - R.H. Thread	6	
25	3019682	Stud - L.H. wheel hub - L.H. Thread	6	
26	73028906	Nut - R.H. Thread - Road wheel	6	
27	73028907	Nut - L.H. Thread - Road wheel	6	
		N.B. Tapped holes for the brake drum screws will be deleted on future production 2523/3023 models.		
28	3050115	Hub - Road wheel - Use with Standard Road Wheel 3049287	2	4023/4035
	3049600	Hub - Road wheel - Use with Optional Road Wheel 3049288	2	4023/4035
	3049600	Hub - Road wheel	2	6035/6055
29	3049604	Catcher - Oil	2	} 4023/4035 6035/6055
30	3024519	Gasket - Oil catcher to hub	2	
31	3019681	Stud - R.H. wheel hub - R.H. Thread	6	
32	3019680	Stud - L.H. wheel hub - L.H. Thread	6	
33	73028906	Nut - R.H. Thread - Road wheel	6	
34	73028907	Nut - L.H. Thread - Road wheel	6	
35	3017736	Abutment - Inner bearing	2	
36	P.23572	Dowel - Abutment locating on stub axle	2	
37	3020505	Seal - Felt	2	
38	3017738	Baffle - Inner bearing	2	
39	9192051	Bearing - Inner for hub	2	30
40	9192123	Bearing - Inner for hub	2	40/60
41	9192145	Bearing - Outer for hub	2	30
42	9192173	Bearing - Outer for hub	2	40/60
43	3017739	Distance piece	2	30
	P.30198	Shim - 21 S.W.G. - Bearing	6	} Deleted on late KC Models
	P.30199	Shim - 40 S.W.G. - Bearing	12	
44	P.24557	Washer - Safety - Bearing retaining	2	
		Nut - Slotted - See Stub Axle on Page H1.		
45	3020719	Cap - Hub grease retaining - With stud for nave plate ..	2	} Early models - B.S.F. Thread
	3020720	Stud - Retaining nave plate	2	
	3020721	Nut - Self-locking	2	
46	P.62711	Cap - Hub grease retaining - Without stud for nave plate ..	2	Later models
		Brake drum		See Sections L and LA

FRONT AXLE and TRACK ROD

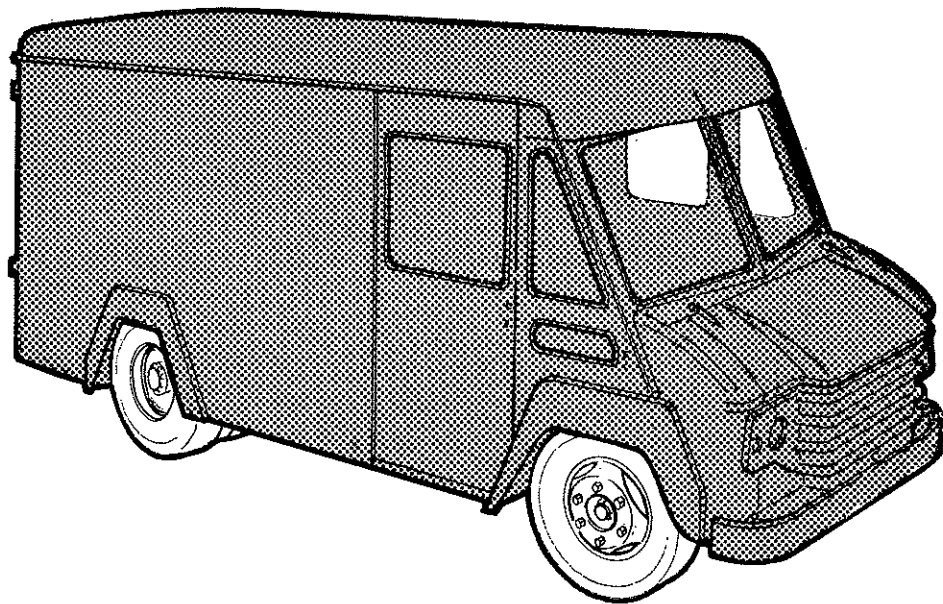
Plate Ref.	Part Number	DESCRIPTION	No. per Veh.	REMARKS
	5200497	Rod assembly – Track N.B. Interchangeable Track Rod Assemblies which differ in design details are supplied under the above part number. When ordering component parts please refer to the illustrations and descriptions.	1	
47		Rod – Track adjusting – With external or male thread ..		} Not supplied separately With internal or female thread
48	5037827	End assembly – R.H. Thread	1	
49	5037828	End assembly – L.H. Thread	1	
50	19105121	Bolt – Clamp locking track adjustment	2	
51	9660203	Washer – Spring	2	
52	5221350	Nut	2	
53	5059478	Cover – Dust excluding	2	
54	9540081	Nut – Slotted – Ball pins to steering arms	2	
55	9068022	Washer – Plain	2	
	9830610	Pin – Split	2	
56	9217025	Greaser – Track rod end	2	
57	5058355	Tube – Track adjusting – With internal or female thread ..	1	
58	5058365	Clamp – Locking track adjustment	2	
59	19106131	Bolt – Clamp	2	
60	9660243	Washer – Spring	2	
61	5221351	Nut	2	
62	5058361	End assembly – R.H. Thread	1	} With external or male thread
63	5058362	End assembly – L.H. Thread	1	
64	5041001	Cover – Dust excluding	2	
65	9540081	Nut – Slotted – Ball pins to steering arms	2	
66	9068022	Washer – Plain	2	
	9830610	Pin – Split	2	
67	9217014	Greaser – Track rod end	2	

FRONT AXLE and TRACK ROD

Plate Ref.	Part Number	DESCRIPTION	No. per Veh.	REMARKS
		<p>NOTE 1 Applicable to vehicles built UP TO Chassis number:- KC 017766 plus 017768/70, 017775, 017778, 017780/1, 017783 and 017790. CKD KC 701509. Axle Bed 3049588 is no longer available and has been superseded by 3060464. When the later Axle Bed replaces the earlier one it is necessary to use the appropriate later Swivel Pin Kit 5151039.</p> <p>NOTE 2. Applicable to vehicles built FROM Chassis number:- KC 017791 plus 017767, 017771/4, 017776/7, 017769, 017782 and 017784/9. CKD KC 701510.</p> <p>NOTE 3. Stop Plate and Screw for steering lock are fitted to early vehicles which have stub axle 3019208. Stub Axle 3019208 has now been superseded by 3027025 shown on Page H1.</p>		

SECTION J

ROAD WHEELS

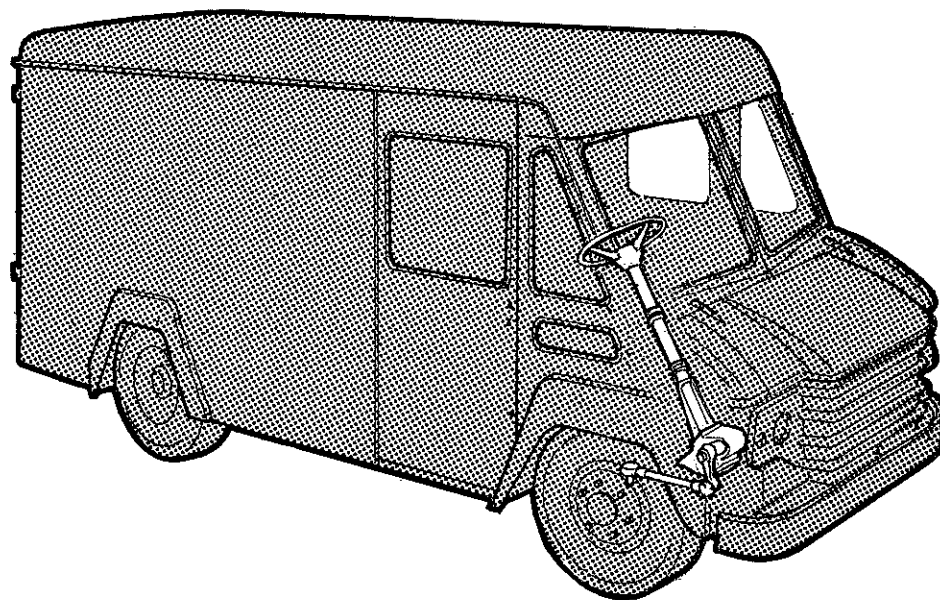


ROAD WHEELS

Plate Ref.	Part Number	DESCRIPTION	No. per Veh.	REMARKS
2523 MODELS				
W.46771	Road wheel – 5.50 × 16	5	
K.25984	Ring – Retaining	5	
3023 MODELS				
P.96025	Road wheel – 6.00 × 16	5	KA: KCL: KCB
5041093	Ring – Retaining	5	
W.46771	Road wheel – 5.50 × 16	5	KCH: KCV
K.25984	Ring – Retaining	5	
4023 and 4035 MODELS – Standard				
3049287	Road wheel – 4.50 × 16	7	
K.25984	Ring – Retaining	7	
4023 and 4035 MODELS – Optional				
3049288	Road wheel – 5.50 × 16	7	
K.25984	Ring – Retaining N.B. See Page H2 – Road wheel hub 3049600.	7	
6023, 6035 and 6055 MODELS				
3049288	Road wheel – 5.50 × 16	7	
K.25984	Ring – Retaining	7	
ALL MODELS				
3017742	Nave plate – Frontwheel	2	
P.95033	Screw – Nave plate to hub cap	2	Early tapped Hub Cap Later studded Hub Cap
3020721	Nut – Self-locking – Nave plate to hub cap	2	
3017542	Nave plate – Rear wheel	2	KAH: KAD: KAV – Van KCH: KCV – Van
P.95033	Screw – Nave plate to axle hub cap	2	
3020721	Nut – Self-locking – Nave plate to axle hub cap	2	Early tapped hub cap Later studded hub cap
3020804	Stud	2	
3053624	Nave plate – Rear wheel	2	} KAB: KAL 3023 Ambulance
3020756	Strip – Fixing	2	
9000052	Screw	2	
3020721	Nut – Self-locking	2	
<p>N.B. Screw Threads are B.S.F. in this section. Early tapped hub cap is superseded by studded hub cap.</p>				

SECTION K

STEERING UNIT AND SIDE ROD



STEERING UNIT and SIDE ROD

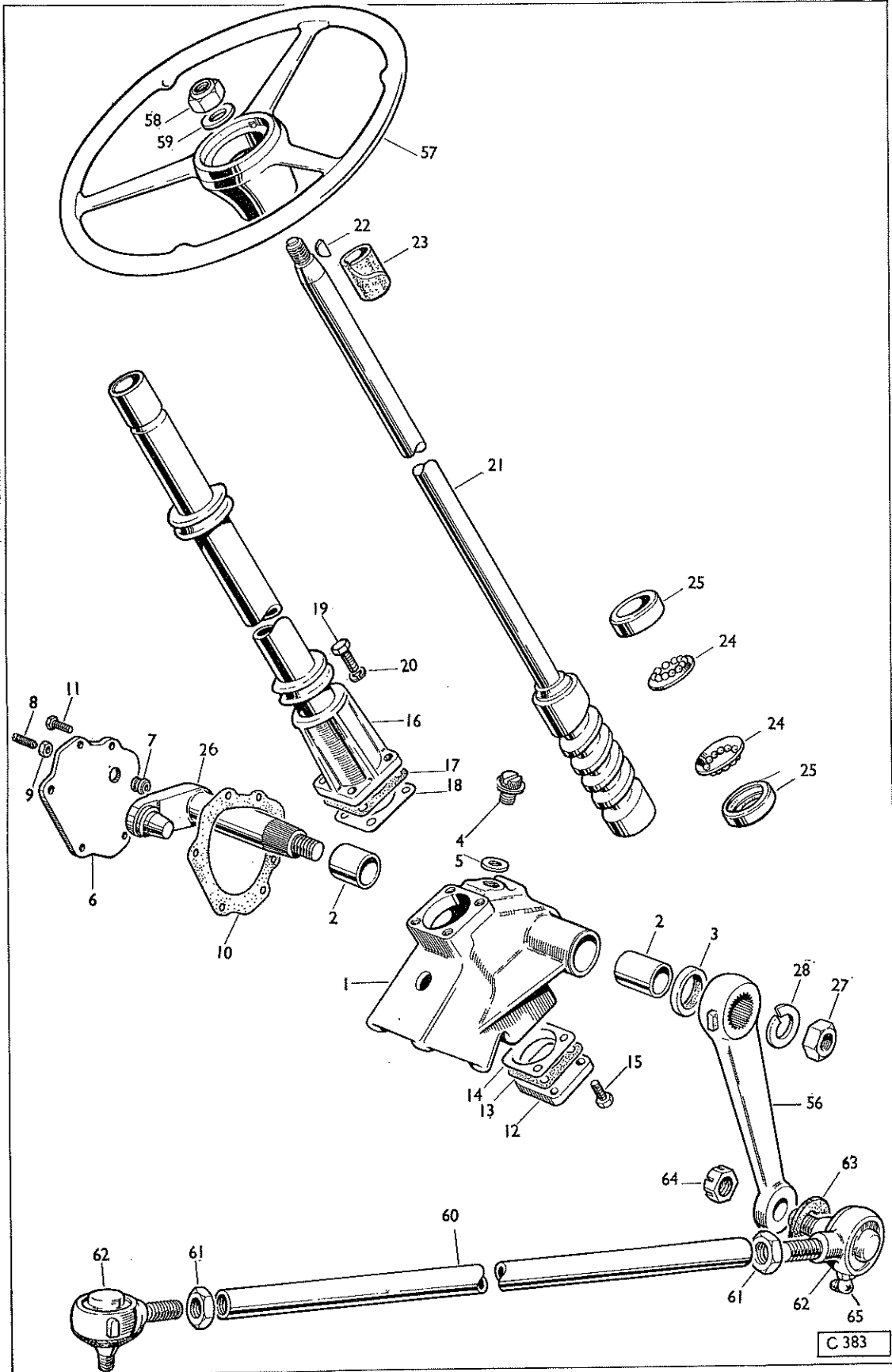


PLATE A - SECTION K

STEERING UNIT and SIDE ROD

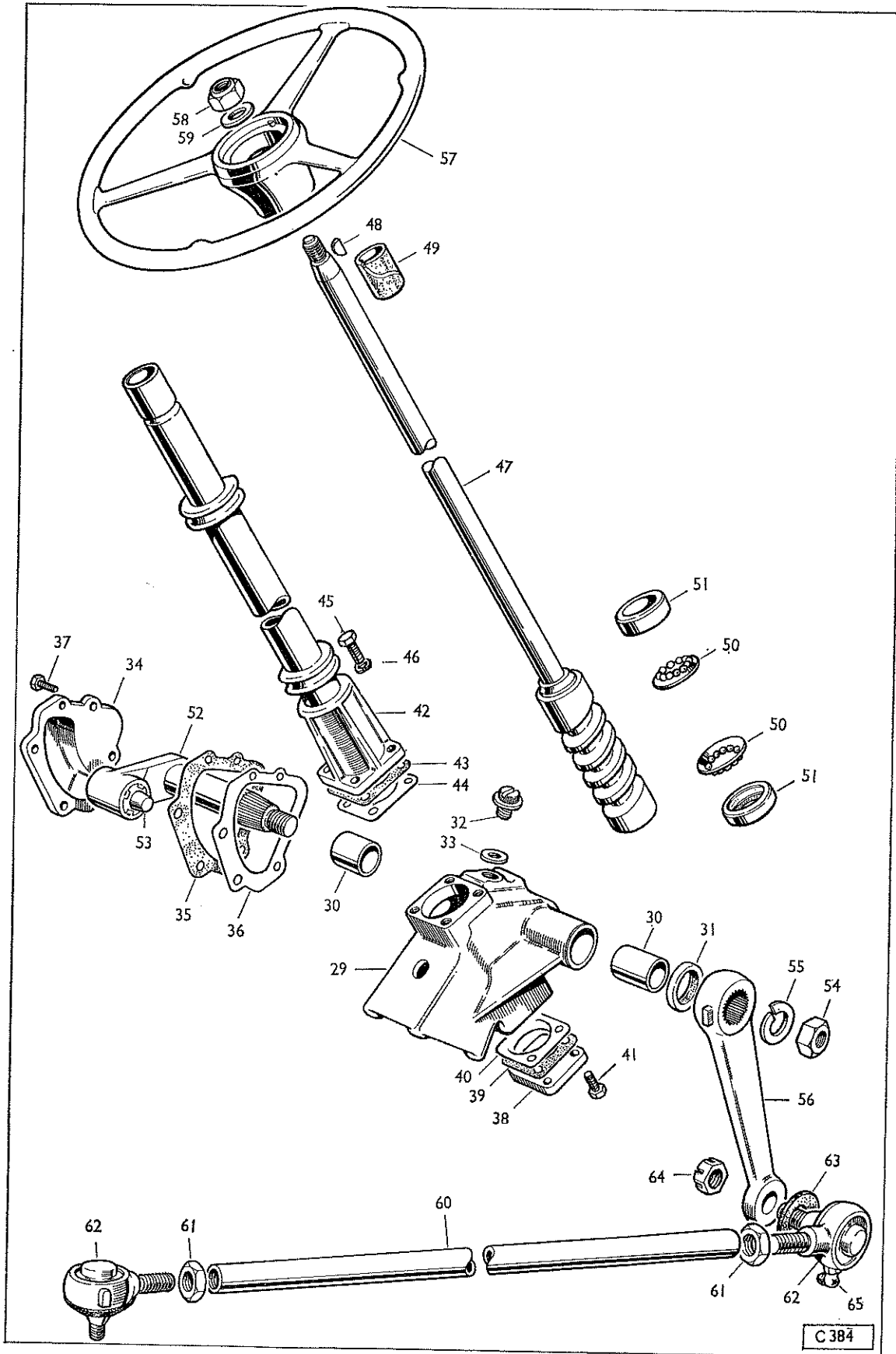


PLATE B - SECTION K

STEERING UNIT and SIDE ROD

Plate Ref.	Part Number	DESCRIPTION	No. per Veh.	REMARKS
		MODELS KA 3023, 4023, 4035, KC 2523 and 3023		
		STEERING UNIT		
	3074381	Steering unit – R.H.D. models	1	
	3074380	Steering unit – L.H.D. models	1	
A1	5039067	Box – Steering – R.H.D.	1	
	5039068	Box – Steering – L.H.D.	1	
A2	K.14446	Bush – Rocker shaft spindle	2	
A3	9102067	Seal – Oil	1	
A4	5060070	Plug – Oil filler and level	1	
A6	5039066	Cover – Steering box side	1	
A7		Adaptor – Rocker thrust screw		Not supplied separately
A8	5037653	Screw – Rocker thrust and end float adjusting	1	
A9	9029016	Locknut – Adjusting screw	1	
A10	5030161	Joint – Side cover	1	
A11	19505062	Screw – Side cover to steering box	6	
	9660203	Washer – Spring	6	
A12	L.200	Cover – Steering box lower end	1	
A13	K.6507	Joint – End cover	1	
A14	P.23538	Shim – Steel .0024" (.06 mm.) – Ball race pre load	A/R	
	K.17402	Shim – Steel .005" (.12 mm.) – Ball race pre load	A/R	
	K.21554	Shim – Steel .010" (.25 mm.) – Ball race pre load	A/R	
A15	19505062	Screw – End cover to steering box	4	
	9660203	Washer – Spring	4	
A16	5039073	Tube assembly – Outer column – R.H.D.	1	
	5039074	Tube assembly – Outer column – L.H.D.	1	
A17	K.6507	Joint – Outer column flange	1	
A18	P.23538	Shim – Steel .0024" (.06 mm.) – Ball race pre load	A/R	
	K.17402	Shim – Steel .005" (.12 mm.) – Ball race pre load	A/R	
	K.21554	Shim – Steel .010" (.25 mm.) – Ball race pre load	A/R	
A19	19505082	Screw – 1" (25.4 mm) long – Outer column to box	2	
	19505091	Screw – 1.125" (28.57 mm.) long	2	
A20	9660203	Washer – Spring	4	
A21	5039070	Inner column – With cam – R.H.D.	1	
	5039071	Inner column – With cam – L.H.D.	1	
A22	9213008	Key – Steering wheel to column	1	
A23	K.25443	Bush – Felt – Inner column top end	1	
A24	P.23532	Ball race	2	
A25	P.23531	Cup – Ball race	2	
A26	5039065	Shaft – Rocker	1	
A27	9520160	Nut – Securing drop arm to rocker shaft	1	
A28	9661642	Washer – Spring	1	

STEERING UNIT and SIDE ROD

Plate Ref.	Part Number	DESCRIPTION	No. per Veh.	REMARKS
		MODELS KA 6035, 6055 and KC 4023, 4035, 6035, 6055		
		STEERING UNIT		
	3074509	Steering unit – R.H.D. models	1	
	3074508	Steering unit – L.H.D. models	1	
B29	5039067	Box – Steering – R.H.D.	1	
	5039068	Box – Steering – L.H.D.	1	
B30	K.14446	Bush – Rocker shaft spindle	2	
B31	9102067	Seal – Oil	1	
B32	5060070	Plug – Oil filler and level	1	
B34	5030157	Cover – Steering box side	1	
B35	5030161	Joint – Side cover	1	
B36	5030158	Shim – Steel .0024" (.06 mm.)	A/R	
	5030159	Shim – Steel .005" (.12 mm.)	A/R	
	5030160	Shim – Steel .010" (.25 mm.)	A/R	
B37	5220692	Screw – .875" (22.26 mm.) long – Side cover to box	2	
	19105101	Screw – 1.25" (28.75 mm.) long	4	
	9660203	Washer – Spring	6	
B38	L.200	Cover – Steering box lower end	1	
B39	K.6507	Joint – End cover	1	
B40	P.23538	Shim – Steel .0024" (.06 mm.) – Ball race pre load	A/R	
	K.17402	Shim – Steel .005" (.12 mm.) – Ball race pre load	A/R	
	K.21554	Shim – Steel .010" (.25 mm.) – Ball race pre load	A/R	
B41	19505062	Screw – End cover to steering box	4	
	9660203	Washer – Spring	4	
B42	5039073	Tube assembly – Outer column – R.H.D.	1	
	5039074	Tube assembly – Outer column – L.H.D.	1	
B43	K.6507	Joint – Outer column flange	1	
B44	P.23538	Shim – Steel .0024" (.06 mm.) – Ball race pre load	A/R	
	K.17402	Shim – Steel .005" (.12 mm.) – Ball race pre load	A/R	
	K.21554	Shim – Steel .010" (.25 mm.) – Ball race pre load	A/R	
B45	19505082	Screw – 1" (25.4 mm.) long – Outer column to box	2	
	19505091	Screw – 1.125" (28.57 mm.) long	2	
B46	9660203	Washer – Spring	4	
B47	5039070	Inner column – With cam – R.H.D.	1	
	5039071	Inner column – With cam – L.H.D.	1	
B48	9213008	Key – Steering wheel to column	1	
B49	K.25443	Bush – Felt – Inner column top end	1	
B50	P.23532	Ball race	2	
B51	P.23531	Cup – Ball race	2	
B52	5039072	Shaft – Rocker	1	
B53	K.29561	Roller	1	
B54	9520160	Nut – Securing drop arm to rocker shaft	1	
B55	9661642	Washer – Spring		

STEERING UNIT and SIDE ROD

Plate Ref.	Part Number	DESCRIPTION	No. per Veh.	REMARKS
ALL MODELS				
SIDE ROD and DROP ARM, etc.				
AB56	3050368	Drop arm – R.H.D.	1	
	3050367	Drop arm – L.H.D.	1	
	29807131	Stud – 1-625" (41-27 mm.) long – Securing steering unit ..	2	
	29807161	Stud – 2" (50-8 mm.) long – Securing steering unit ..	2	
	9660283	Washer – Spring	4	
	5220704	Nut	4	
AB57	3054947	Wheel – Steering Key – Supplied with steering unit	1	
AB58	9551104	Nut – Self-locking – Securing wheel to column	1	
AB59	9067070	Washer – Plain	1	
		U Bolt – Column securing		} See Section R
		Grommet		
		Horn push		} See Section Q
		Trafficator controls		
AB60	3050467	Rod assembly – Side steering	1	Not supplied separately
		Tube		
AB61	9520121	Locknut – Tube and ends adjustment	2	
AB62	5041005	End assembly – R.H. Thread	2	
AB63	5038005	Boot – Dirt excluder	2	} Alternatives
	5040689	Boot – Dirt excluder	2	
AB64	9540081	Nut – Slotted – Ball pin securing	2	
AB65	9830610	Pin – Split	2	
	9217028	Grease – Side rod ends	2	

SECTION L

BRAKES AND CONTROLS

UP TO CHASSIS Nos. :—

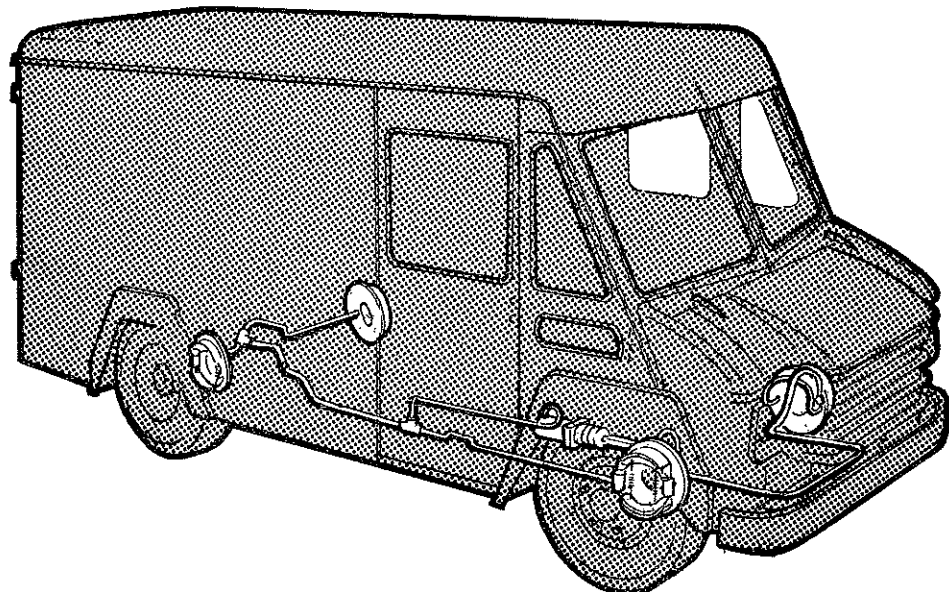
KC 3023 — 018981

KC 4023 — 018996

KC 4035 — 018996

KA 6035 — To discontinuance

KC 6055 — 019039



BRAKES AND CONTROLS

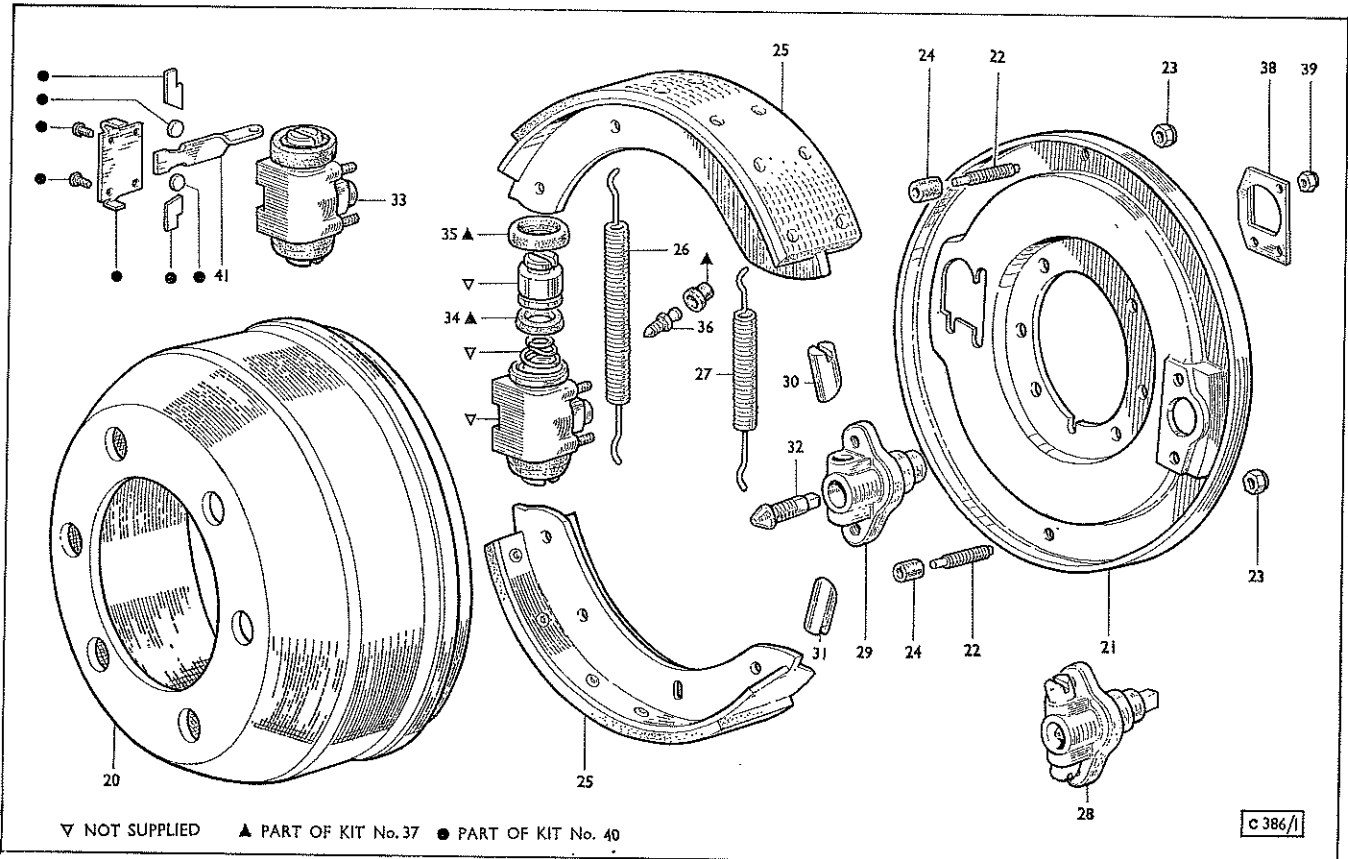
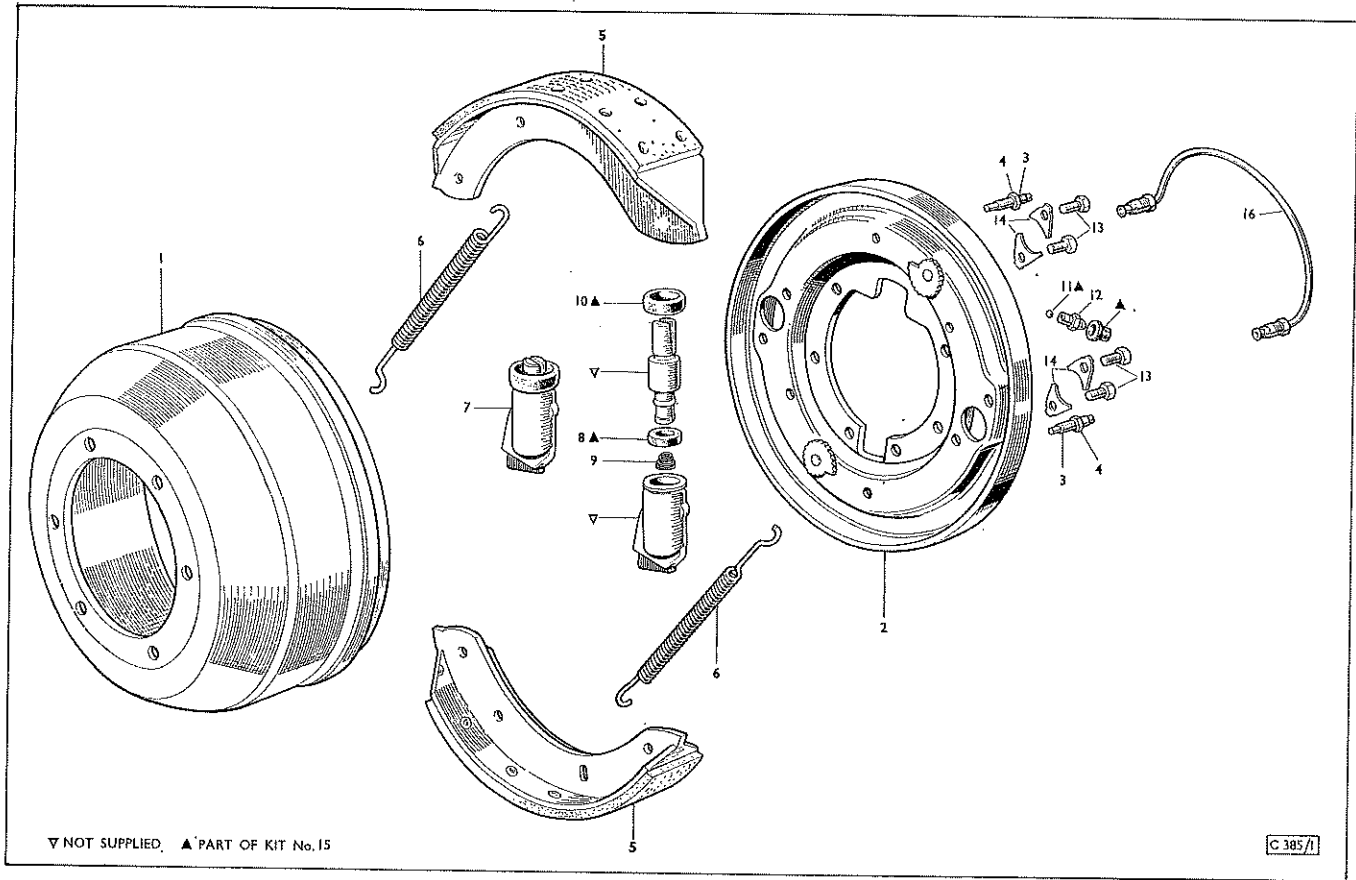
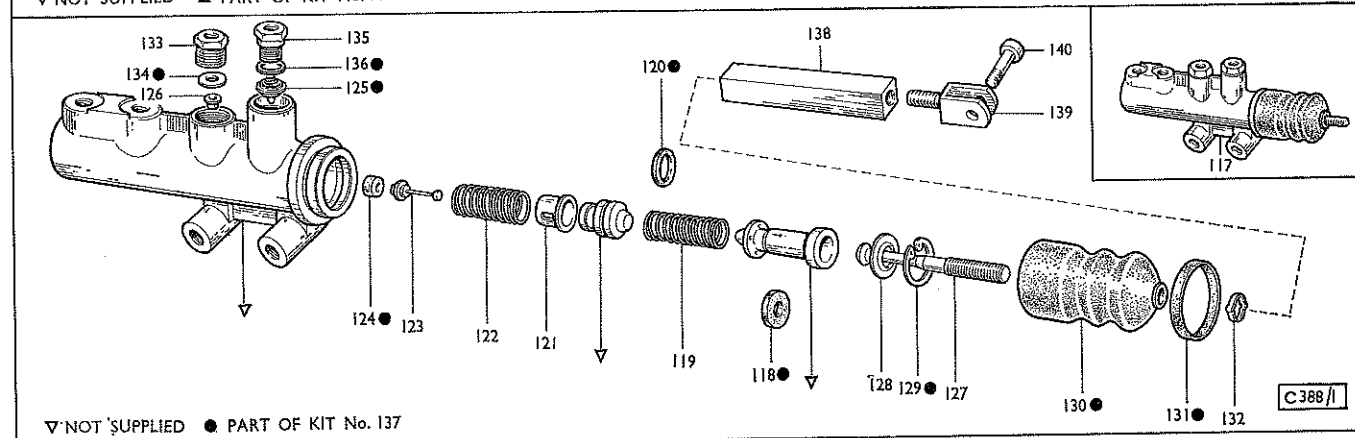
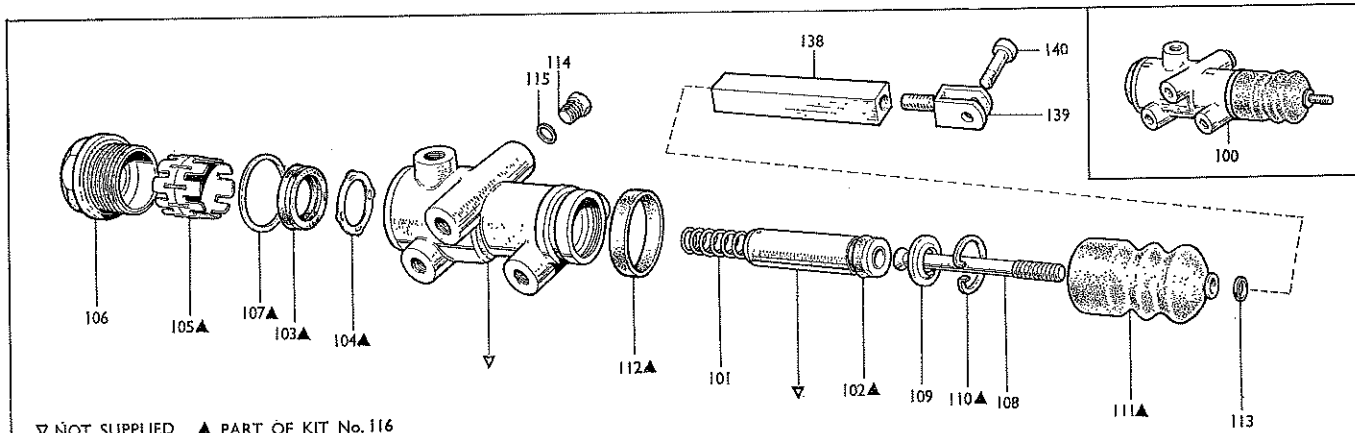
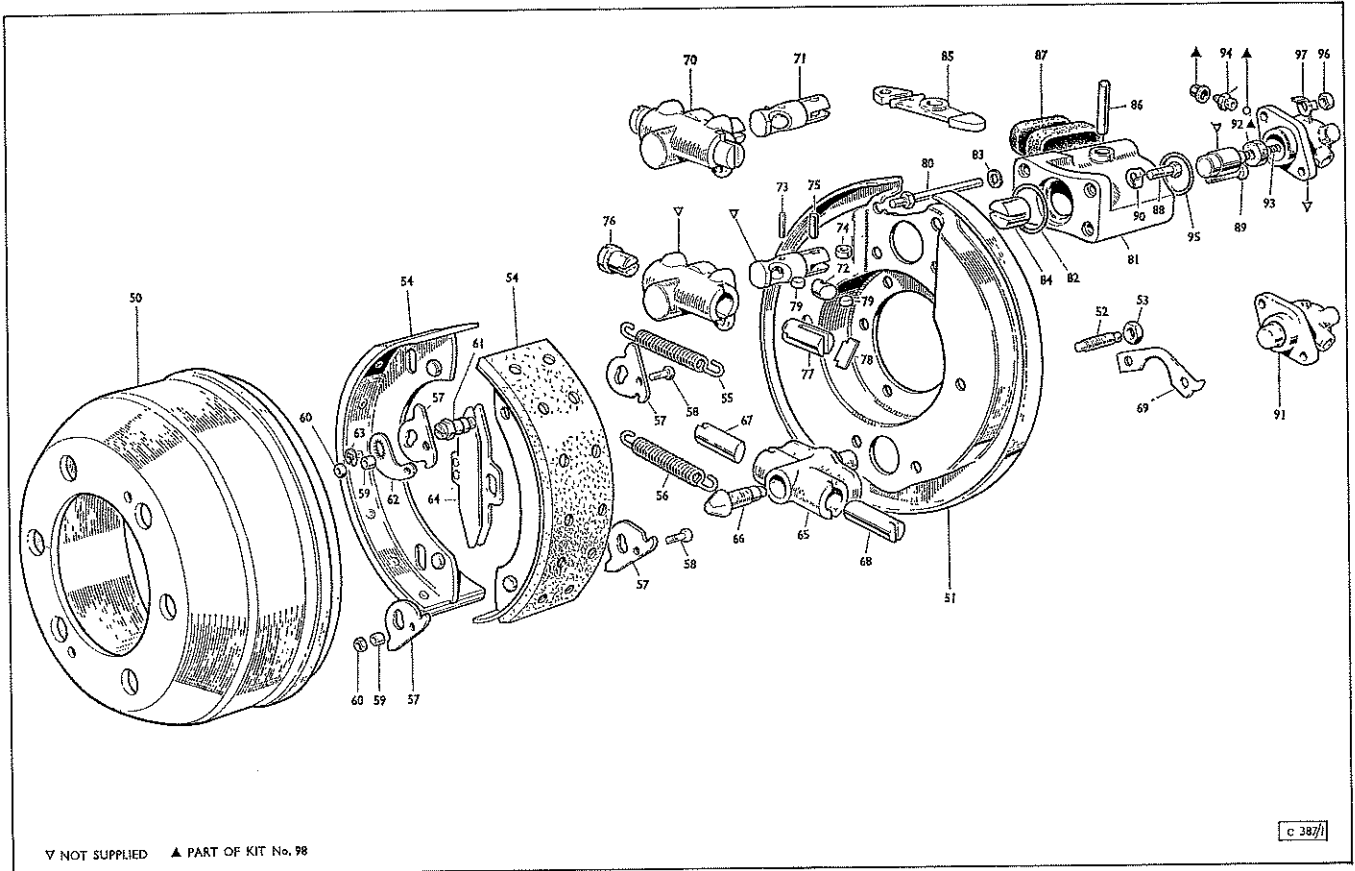


PLATE A - SECTION L

BRAKES AND CONTROLS



BRAKES AND CONTROLS

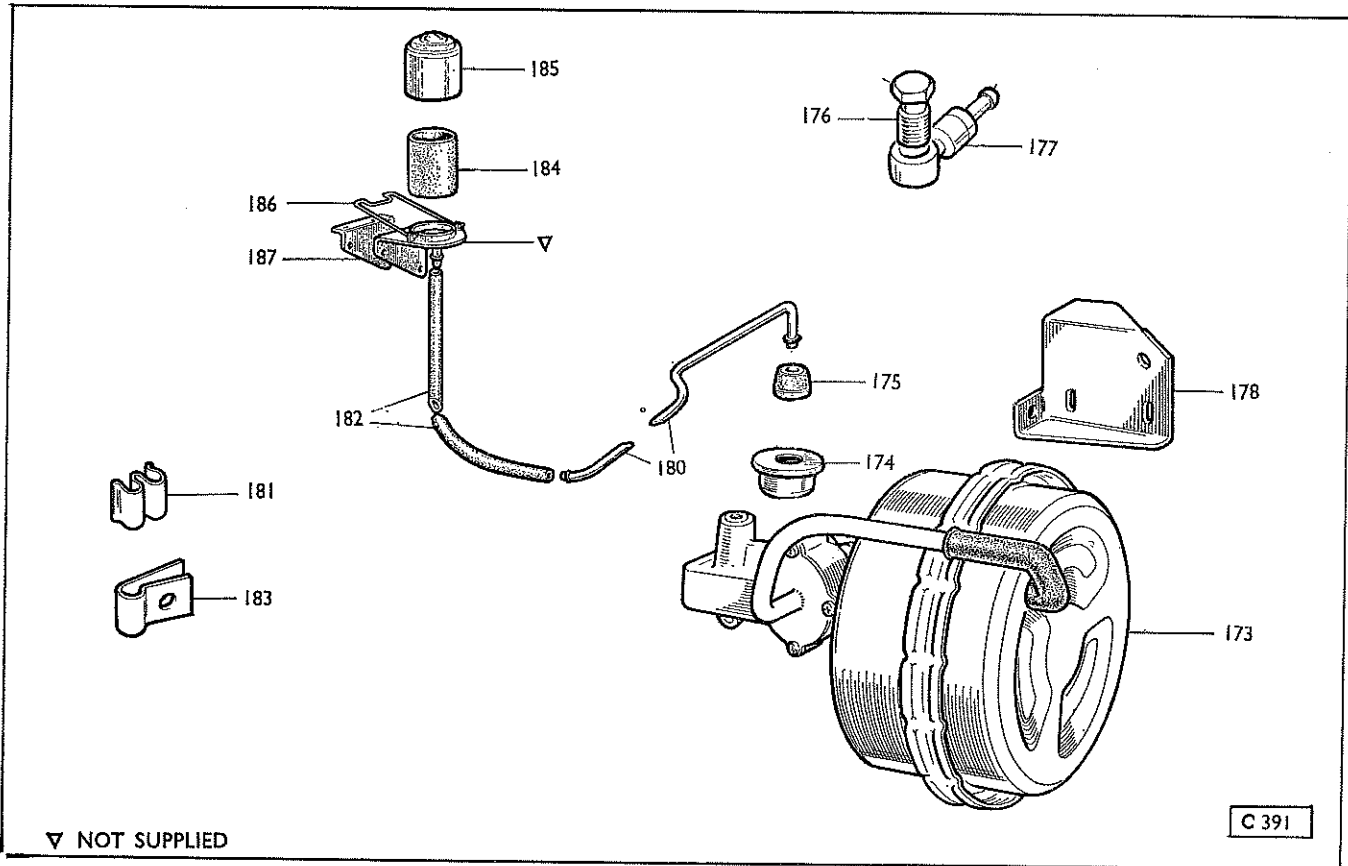
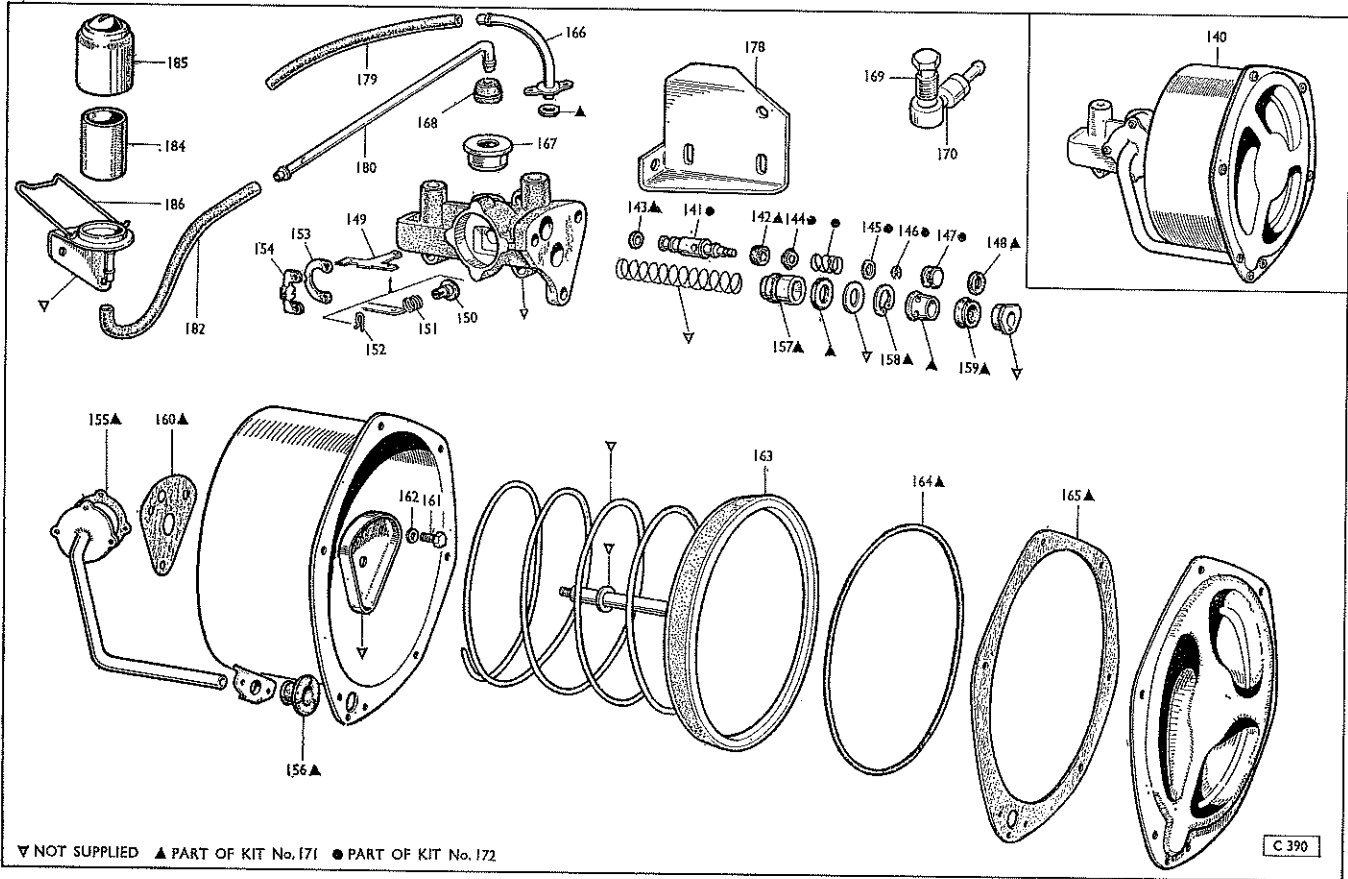


PLATE C - SECTION L

BRAKES AND CONTROLS

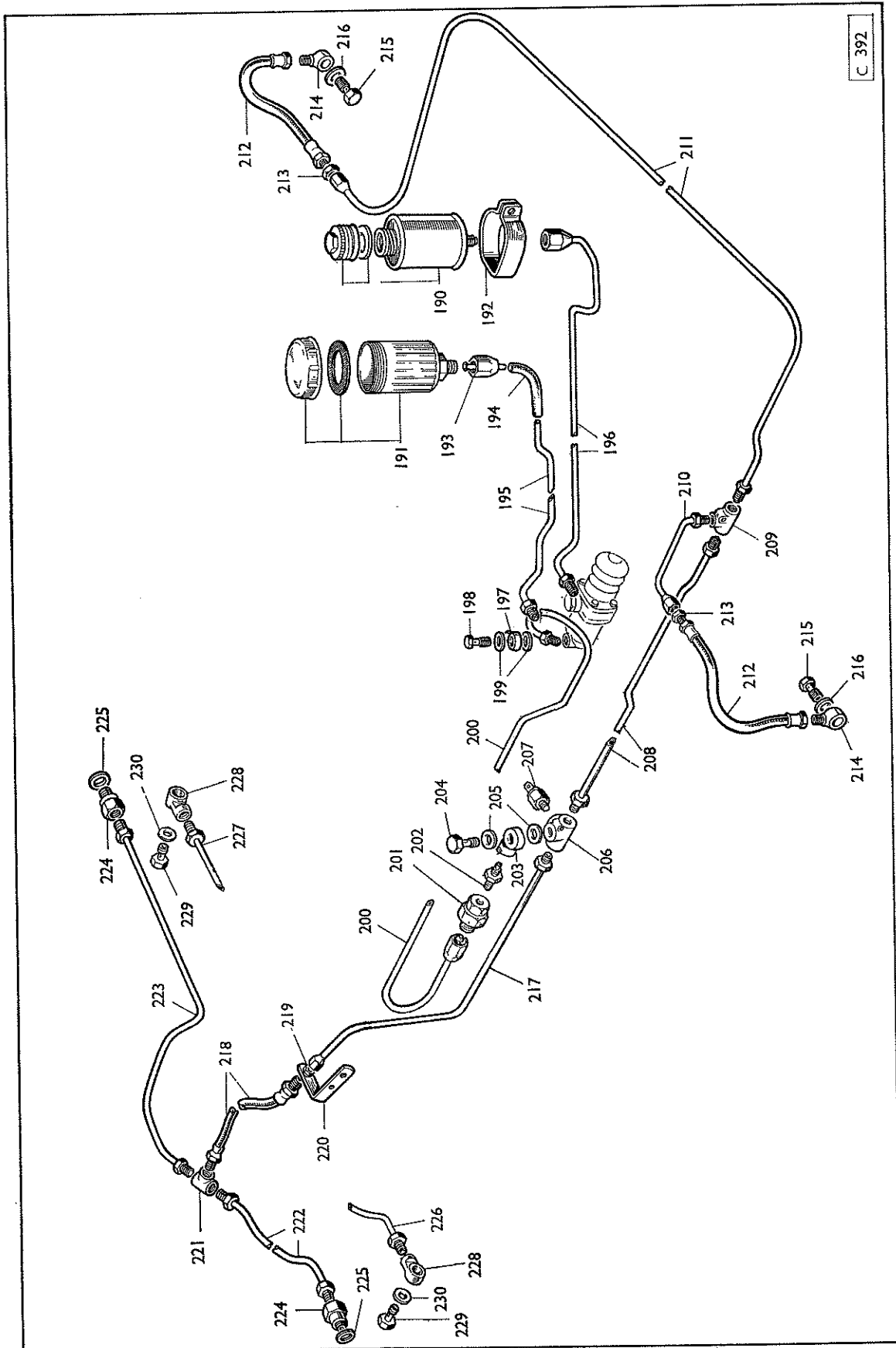
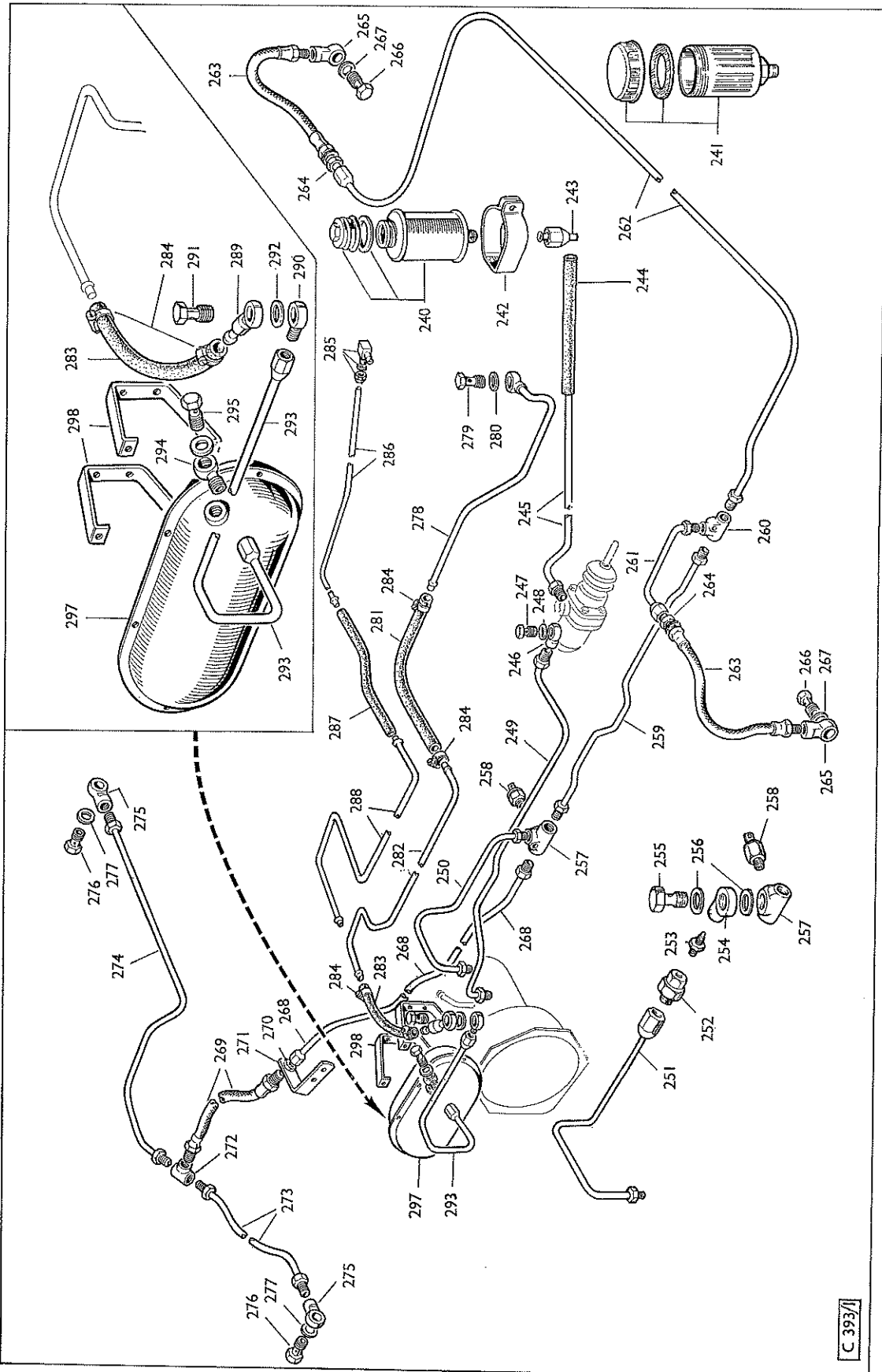


PLATE D - SECTION L

BRAKES AND CONTROLS



C 393/1

PLATE E - SECTION L

BRAKES AND CONTROLS

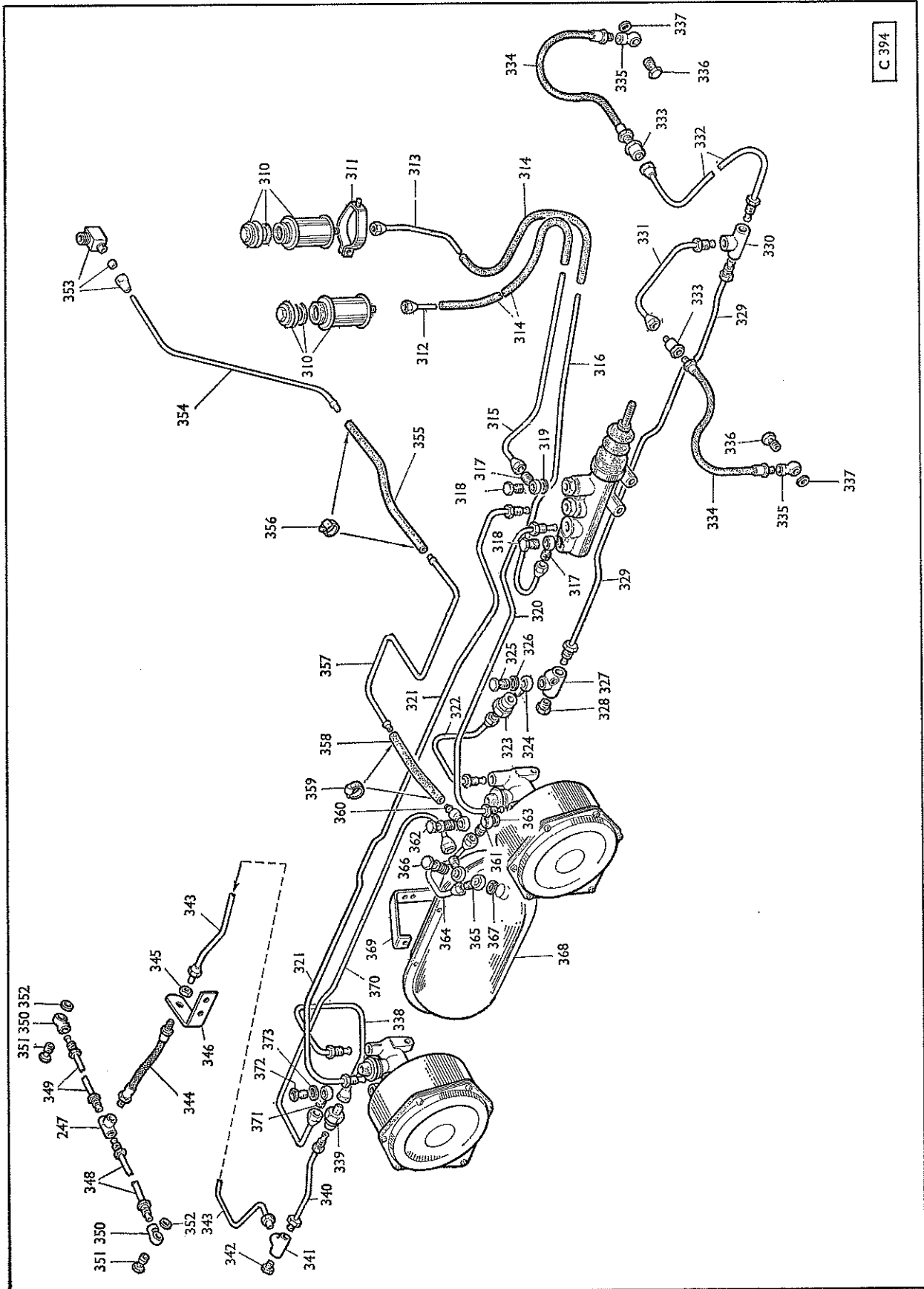
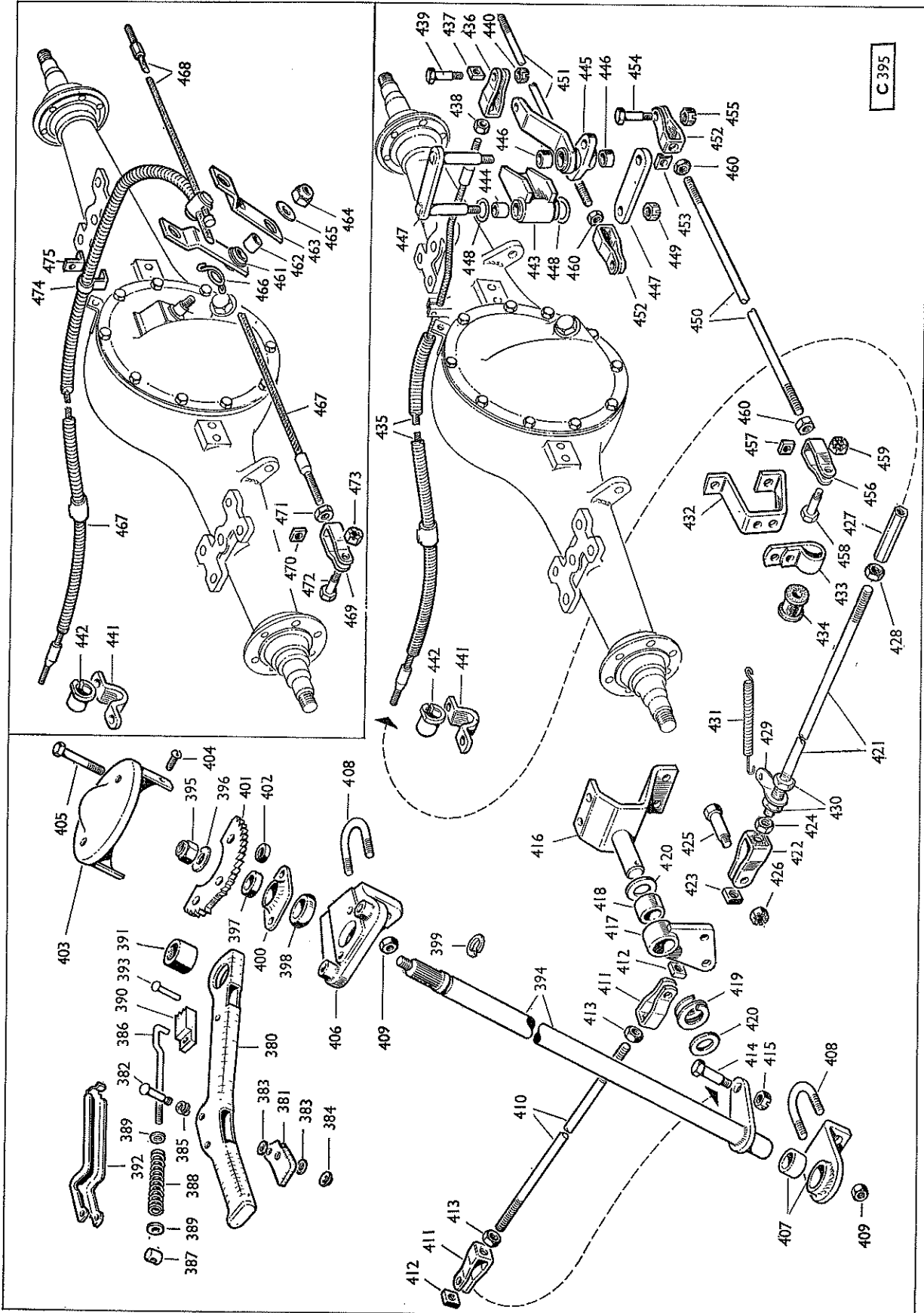


PLATE F - SECTION L

BRAKES AND CONTROLS



C 395

PLATE G - SECTION L

BRAKES AND CONTROLS

Plate Ref.	Part Number	DESCRIPTION	No. per Veh.	REMARKS
FRONT BRAKE UNIT				
ALL MODELS				
N.B. Complete Brake Units are not supplied – please order parts shown below as required. Replacement Brake Shoes with Linings are available in part exchange for the original.				
A1	3049602	Brake drum 12" (304.8 mm) dia.	2	} 3023 models
	39115121	Screw – Securing drum to hub	4	
	9666203	Washer	4	
A1	3063426	Brake drum 12.25" (311.2 mm) dia.	2	} 4023 : 4035 and 6035 : 6055 models
	3017745	Bolt – Securing drum to hub	12	
	5221351	Nut	12	
	9660243	Washer	12	
A2	5039393	Back plate – R.H.	1	} See Section H
A2	5039392	Back plate – L.H.	1	
	3017746	Bolt – Securing back plate to stub axle	4	
	5220731	Nut – Self-locking	4	
N.B. Securing bolts and nuts for the steering arms also secure the brake back plate to the stub axle.				
A3	K.21143	Post – Adjustable shoe steady	4	} See Section H
	K.21144	Felt	4	
A4	9520051	Locknut – Steady post adjustment	4	
A5	5042239	Brake shoe – With lining – R.H. (Boxed pair (2))	1 pr.	} 3023 models
A5	5042238	Brake shoe – With lining – L.H. (Boxed pair (2))	1 pr.	
	5042240	Lining	4	
	5057583	Rivet – Lining to shoe	48	
A5	5042242	Brake shoe – With lining – R.H. (Boxed pair (2))	1 pr.	} 4023 ; 4035 and 6035 ; 6055 models
A5	5042241	Brake shoe – With lining – L.H. (Boxed pair (2))	1 pr.	
	5042243	Lining	4	
	5057583	Rivet – Lining to shoe	48	
A6	5039362	Spring – Pull-off – Brake shoe	4	
A7	5039395	Wheel cylinder – R.H. assembly	2	
A7	5039394	Wheel cylinder – L.H. assembly	2	
A8	5039397	Seal – Piston	* 4	
A9	5039398	Spring	4	
A10	5039399	Boot – Dust excluding for piston and cylinder	* 4	
A11	9187008	Ball – Steel – For sealing bleed hole	* 2	
A12	5041515	Screw – Bleeder	2	
	K.21836	Cap – Dust excluding for bleeder screw	* 2	
A13	9003240	Screw – Securing wheel cylinder to back plate	8	
A14	5042126	Tabwasher	8	
A15	5039363	Kit – Wheel cylinder repair (Includes items marked *)	1	Services 4 wheel cylinders
A16	5039714	Pipe – Wheel cylinder bridge	2	
	K.29799	Clip – Steady for pipe	2	
	5221352	Screw – Steady clip to back plate	2	
	75060822	Washer – Shakeproof	2	

BRAKES AND CONTROLS

Plate Ref.	Part Number	DESCRIPTION	No. per Veh.	REMARKS
		REAR BRAKE UNIT		Check model
		MODELS KAH, KAD, KAV, KCH and KCV – 3023		
		N.B. Complete Brake Units are not supplied – please order parts shown below as required. Replacement Brake Shoes with Linings are available in part exchange for the original.		
A20	P.99313	Brake drum	2	
A21	K.21142	Back plate – R.H.	1	
A21	K.21141	Back plate – L.H.	1	
		Oil catcher, joint and fixing bolts – See Section G.		
A22	K.21143	Post – Adjustable shoe steady	4	
A23	9520051	Locknut – Steady post adjustment	4	
A24	K.21144	Felt	4	
A25	5042244	Brake shoe – With lining (Boxed pair (2))	2 pr.	
	5042245	Lining – For leading shoe	2	
	5042246	Lining – For trailing shoe	2	
	K.30102	Rivet – Lining to shoe	48	
A26	K.21146	Spring – Pull-off – Brake shoe wheel cylinder end – Long	2	
A27	K.21147	Spring – Pull-off – Brake shoe adjuster end – Short	2	
A28	5060161	Adjuster – Brake shoes	2	
A29	5060162	Housing	2	
A30	K.21150	Tappet – Leading shoe – R.H. Brake	1	
A31	K.21151	Tappet – Trailing shoe – R.H. Brake	1	
	K.21151	Tappet – Leading shoe – L.H. Brake	1	
	K.21150	Tappet – Trailing shoe – L.H. Brake	1	
A32	5060163	Wedge – Tappet adjusting	2	
	19506042	Bolt – Securing adjuster to back plate	4	
	9660243	Washer – Spring	4	
A33	5059862	Wheel cylinder – R.H. assembly	1	
A33	5059861	Wheel cylinder – L.H. assembly	1	
A34	5040863	Seal – Piston	* 4	
A35	5059860	Boot – Dust excluding for piston and cylinder	* 4	
A36	K.28714	Screw – Bleeder	2	
	K.21836	Cap – Dust excluding for bleeder screw	* 2	
A37	5059863	Kit – Wheel cylinder repair (Includes items marked *)	1	Services 2 wheel cylinders
		N.B. Wheel cylinders 5059861/2 supersede K28819/20 which are no longer available. The superseded wheel cylinders K28819/20 can be identified by the metal dust covers for the pistons. See Page L3 for Repair Kit and other items which are available for servicing wheel cylinders K28819/20.		

BRAKES AND CONTROLS

Plate Ref.	Part Number	DESCRIPTION	No. per Veh.	REMARKS
REAR BRAKE UNIT				
MODELS – continued from Page L2				
	K.20193	Seal – Piston †	4	
	5038231	Air excluder	4	
	K.28714	Screw – Bleeder	2	
	K.21836	Cap – Dust excluding for bleed screw †	2	
	5039512	Kit – Wheel cylinder repair (Includes items marked †)	1	Services 2 wheel cylinders
N.B. The parts shown above are for use with Early Wheel cylinders K.28819/20 only.				
A38	K.21166	Plate – Dust cover – R.H. wheel cylinder	1	
A38	K.21165	Plate – Dust cover – L.H. wheel cylinder	1	
A39	9552043	Nut – Self-locking – Wheel cylinder to back plate	6	
	9086003	Washer – Spring	6	
A40	K.28821	Kit – Handbrake operated brake shoe expander	2	
A41	K.21163	Link – Expander wedge	2	

BRAKES AND CONTROLS

Plate Ref.	Part Number	DESCRIPTION	No. per Veh.	REMARKS
		REAR BRAKE UNIT		Check model
		MODELS: KAL, KAB, KCL, KCB – 3023 - 4023 - 4035 KAH, KAD, KAV, KCH, KCV – 4023 - 4035 KAL, KAB – 6035 KAL, KAF, KCL, KCF – 6055		
		N.B. Complete Brake Units are not supplied – please order parts shown below as required. Replacement Brake Shoes with Linings are available in part exchange for the original. Leading and trailing shoes are also alternatively described as No. 1 and No. 2 shoe respectively.		
B50	3049645	Brake drum	2	
	39115121	Screw – Securing drum to hub	4	
B51	5039403	Back plate	2	
		Oil catcher, joint and fixing bolts – See Section G.		
B52	5039485	Post – Adjustable shoe steady	4	
B53	9520060	Locknut – Steady post adjustment	4	
B54	5042248	Brake shoe – With lining – R.H. (Boxed pair (2))	1 pr.	} 3023 - 4023 - 4035 models
B54	5042247	Brake shoe – With lining – L.H. (Boxed pair (2))	1 pr.	
	5042243	Lining	4	
	5057583	Rivet – Lining to shoe	48	
B54	5042250	Brake shoe – With lining – R.H. (Boxed pair (2))	1 pr.	} 6035 - 6055 models
B54	5042249	Brake shoe – With lining – L.H. (Boxed pair (2))	1 pr.	
	5042251	Lining	4	
	5057583	Rivet – Lining to shoe	48	
B55	5039483	Spring – Pull-off – Brake shoe expander end	2	
B56	5039484	Spring – Pull-off – Brake shoe adjuster end	2	
B57	5039486	Bell crank – Trailing shoe	8	
B58	5220693	Bolt – Bell crank levers	4	
B59	K.19214	Distance piece – Bell crank levers	4	
B60	9552043	Nut – Self-locking	4	
B61	5039381	Pin – Eccentric adjusting – Bell crank pivot	2	
B62	5039382	Plate – Locking pivot pin adjustment	2	
B63	9206070	Circlip – Retaining plate to pivot pin	2	
	5042264	Spire nut – Retaining plate	4	
B64	5039380	Push rod – Inter bell crank	2	
B65	K.24789	Housing – Brake shoe adjuster	2	
B66	5039499	Wedge – Tappet adjusting	2	
	5039405	Tappet – Leading shoe – R.H. Brake	1	
	5039404	Tappet – Trailing shoe – R.H. Brake	1	
B67	5039404	Tappet – Leading shoe – L.H. Brake	1	
B68	5039405	Tappet – Trailing shoe – L.H. Brake	1	
	9003220	Screw – Securing adjuster housing to back plate	4	
B69	5039451	Plate – Locking screws	2	

BRAKES AND CONTROLS

Plate Ref.	Part Number	DESCRIPTION	No. per Veh.	REMARKS
		REAR BRAKE UNIT		Check model
		Continued from Page L4 See Models at top of Page L4		
B70	5039407	Expander - Brake shoes - R.H. assembly	1	
B70	5039406	Expander - Brake shoes - L.H. assembly	1	
B71	5039525	Plunger assembly	2	
B72	5039532	Wedge - Shoe expanding	2	
B73	9844416	Pin - Retaining wedge to plunger	2	
B74	5039535	Roller - Handbrake lever	2	
B75	5039536	Pin - Roller to plunger	2	
	5039527	Tappet - Leading shoe - R.H. Brake	1	
	5039529	Tappet - Trailing shoe - R.H. Brake	1	
B76	5039526	Tappet - Leading shoe - L.H. Brake	1	
B77	5039528	Tappet - Trailing shoe - L.H. Brake	1	
B78	5039530	Plate - Trailing shoe contact	2	
B79	5040919	Roller - Tappet actuating	4	
B80	5039373	Stud - Special with hexagonal collar - Securing expander to back plate	4	
	9664243	Washer - Shakeproof	4	
B81	5039408	Housing - For intermediate piston and handbrake lever	2	
B82	9122278	Seal - Housing to back plate	2	
B83	5044922	Seal - Housing to stud collar	4	
B84	5039372	Piston - Intermediate	2	
B85	5040742	Lever - Handbrake operated	2	
B86	5039370	Pin - Pivot for lever	2	
	5040028	Plug - Pivot pin hole	4	
B87	5044920	Boot - Hand brake operated lever	2	
	K.29250	Clip - Boot retaining to lever	4	
B88	9003065	Bolt - 1" (25.4 mm.) long - Securing housing to expander.. .. .	2	
B89	9003204	Bolt - 2.9375" (74.6 mm.) long	2	
B90	5039448	Tab washer	4	
B91	5039413	Wheel cylinder - R.H. assembly	1	
B91	5039412	Wheel cylinder - L.H. assembly	1	
B92	5039415	Seal - Piston	* 2	} Alternatives - Check when ordering
B93	5039367	Spring	2	
B94	5041515	Screw - Bleeder	2	
	9187008	Ball - Steel - Sealing bleed hole	2	
	K.21836	Cap - Dust excluding for bleeder screw	* 2	
	5039368	Gasket - Wheel cylinder to intermediate piston housing	2	
B95	5044078	'O' ring	2	
B96	5221351	Nut - Securing wheel cylinder to special studs	4	
B97	5039448	Tabwasher	4	
B98	5039422	Kit - Wheel cylinder repair (Includes items marked *)	1	

BRAKES AND CONTROLS

Plate Ref.	Part Number	DESCRIPTION	No. per Veh.	REMARKS
BRAKE CONTROLS – MASTER CYLINDER				Check model
B100	3050673	Master cylinder	1	3023, 4023, 4035 and 6035
B101	K.22109	Spring – Piston return	1	
B102	5039384	Seal – Piston rear	*	
B103	K.20233	Seal – Recuperating – Piston front	*	
B104	K.20234	Washer – Support for recuperating seal	* 1	
B105	5039358	Spacer – Recuperating seal	* 1	
B106	5039353	Cap – Cylinder end	1	
B107	5041513	Gasket – End cap	* 1	
B108	5039359	Push rod	1	
B109	5039360	Washer – Retaining push rod	1	
B110	K.20229	Circlip – Retaining washer	* 1	
B111	5039354	Boot – Push rod	* 1	
B112	5039355	Band – Boot retaining to body	* 1	
B113	5039356	Sleeve – Boot to push rod	1	
B114	9803017	Plug – Redundant hole	1	
B115	9077092	Gasket – Plug	1	
B116	5039361	Kit – Master cylinder repair (Includes items marked *)	1	
B117	3058872	Master cylinder Tandem type	1	6055
B118	5058004	Seal – Primary piston †	1	
B119	5058005	Spring – Inter piston	1	
B120	5058007	Seal – Two-way for secondary piston †	1	
B121	5058008	Retainer – For secondary piston return spring	1	
B122	5058009	Spring – Secondary piston return	1	
	5058011	Spacer †	1	
	5030672	Washer – Spring †	1	
B123	5058010	Valve head and stem	1	
B124	5030670	Seal – Valve head †	1	
B125	5044145	Valve – Tipping †	1	
B126	5058012	Stop	1	
B127	5058013	Push rod	1	
B128	5058014	Washer – Retaining push rod	1	
B129	K.20229	Circlip – Retaining washer †	1	
B130	5039354	Boot – Push rod †	1	
B131	5039355	Band – Boot retaining to body †	1	
B132	5039356	Sleeve – Boot to push rod	1	
B133	5058015	Adaptor – Front outlet – Secondary	1	
B134	5058016	Gasket †	1	
B135	5058017	Adaptor – Rear outlet – Primary	1	
B136	5058018	Gasket †	1	
B137	5058019	Kit – Master cylinder repair (Includes items marked †)	1	
	19106302	Bolt – Securing master cylinder to frame	2	
	9660243	Washer – Spring	2	
B138	3018581	Rod – Extension for master cylinder push rod	1	All models
B139	3018532	Fork – Extension rod to pedal	1	
	9520060	Locknut – Rod adjustment	2	
B140	W.13603	Pin – Fork to pedal	1	
	9540051	Nut	1	
	9830508	Pin – Split	1	

BRAKES AND CONTROLS

Plate Ref.	Part Number	DESCRIPTION	No. per Veh.	REMARKS
BRAKE CONTROLS - VACUUM SERVO UNIT				
MODELS KA 6035 - Standard Fitment MODELS KC 40 - Standard Fitment MODELS KA 30/40- To Special Order				
				See Note 3 Page L8
C140	3074348 s/d 75061635	Servo unit - Mk. IIA	1	See Note 1 Page L8
C140	5042783 s/d 75061635	Servo unit - Mk. IIA	1	See Note 2 Page L8
C141	5039332	Piston - Air control lever operating	↑ 1	
C142	5040288	Seal - Large - Air control lever piston	* 1	
C143	5041204	Seal - Small - Air control lever piston	* 1	
C144	5039329	Abutment - Piston and return spring	↑ 1	
		Spring - Piston return	↑ 1	Not supplied separately
C145	5039330	Retainer - Piston return spring	↑ 1	
C146	9206014	Circlip - Securing retainer to piston	↑ 1	
C147	5039388	Plug - Control piston cylinder	↑ 1	
C148	9122226	Seal - Plug	* 1	
C149	5042780	Lever - Rocking - Air and vacuum valves	1	
C150	5042781	Valve - Air and vacuum	2	
C151	5042421	Spring - Valve seating	2	
C152	5039335	Clip - Retaining valve and spring to lever	2	
C153	5039336	Spring - Rocking lever return	1	
C154	5042814	Guide - Rocking lever	1	
	39413061	Screw - Securing spring and guide to body	2	
	9077070	Gasket - Screw	2	
C155	5039385	Joint - Air pipe flange and body	* 1	
	39413061	Screw - Securing pipe flange to body	4	
	9663123	Washer - Shakeproof	4	
C156	9119530	Seal - Air pipe to vacuum cylinder end cover	* 1	
C157	5039347	Piston - With internal seal - Hydraulic output	* 1	Not supplied separately
		Seal - Outer - Hydraulic piston	* 1	
C158	9204099	Circlip - Retaining piston stop washer	* 1	
C159	9109008	Seal - Vacuum piston push rod	* 1	
		Spacer - Push rod seal	* 1	Not supplied separately
C160	5037760	Joint - Vacuum cylinder and body	* 1	
C161	5220167	Screw - Securing vacuum cylinder to body	3	
C162	5058075	Gasket - Screw	3	
C163	5039343	Piston - With push rod and seal - Vacuum	1	
C164	5030694	Ring - Backing for piston seal	* 1	
C165	5039341	Joint - Vacuum cylinder end cover	* 1	
	39413051	Screw - Securing cylinder end cover	8	
	5058077	Nut	8	
C166	5039349	Pipe - With flange - Air breather	1	Servo 3074348
		Seal - Breather pipe flange and body	* 1	Not supplied separately
C167	5042782	Connector - Air breather pipe and body	1	Servo 5042783
		Seal - Breather connector and body	* 1	Not supplied separately
	39413061	Screw - Securing pipe/connector to body	A/R	
	9663123	Washer	A/R	
C168	5058079	Sleeve - Rubber - Breather pipe and connector	1	} Servo 5042783
C169	3018285	Bolt - Hollow - Non-return valve connector	1	
C170	1800539	Valve - Non-return - With banjo connector	1	
	9077040	Gasket - Connector	A/R	
C171	5042784	Kit - Servo unit repair (Items *)	1	
C172	5041117	Kit - Control valve piston (Items †)	1	

BRAKES AND CONTROLS

Plate Ref.	Part Number	DESCRIPTION	No. per Veh.	REMARKS
		BRAKE CONTROLS – VACUUM SERVO UNIT MODELS KA 6035 – Standard Fitment MODELS KC 4023, 4035 – Standard Fitment MODELS KA 30/40 – To Special Order MODELS KC 30 – To Special Order		See Note 3 Page L8 See Note 3 Page L8
	75061635	Servo unit – Mk. IIA N.B. Servo unit 75061635 suspersedes 3074348 and 5042783. Please note that when fitting 75061635 as a replacement it is necessary to order and fit the connector shown below.	1	
	75061636	Connector – Air breather pipe Parts supplied for Servo unit 5042783 and shown on Page L7 are also applicable to Servo unit 75061635.	1	
	5042784	Kit – Servo unit repair NOTE 1. Servo Unit 3074348 This Servo was original fitting UP TO chassis number: KA – 010463 plus 010467/71, 010473/6 and 010478/518. CKD No. 700685. Parts are available for servicing the original assembly as shown on Page L7. The complete assembly has now been superseded by 75061635 as shown on Page L8. NOTE 2. Servo Unit 5042783. This Servo unit was original fitting FROM chassis number: KA – 010519 plus 010464/6, 010472 and 010477. CKD No. 700686. UP TO the introduction of Mk. IIB Servo unit 3078339 shown on Page L9. Parts are available for servicing the original assembly as shown on Page L7. The complete assembly has now been superseded by 75061635 as shown on Page L8. NOTE 3. Vacuum Servo Brake Systems were fitted to "SPECIAL ORDER ONLY" as shown below: R.H.D. – KA 30/40 all models and KC 30 all models. L.H.D. – KAL : KAB 30/40 models and KCL : KCB 30 models.	1	

BRAKES AND CONTROLS

Plate Ref.	Part Number	DESCRIPTION	No. per Veh.	REMARKS
BRAKE CONTROLS – VACUUM SERVO UNIT				
NOTE. Servo unit 3078339 is fitted from chassis number 015262 and CKD No. 701224. KC 40 models – Standard Fitment KC 30 models – To Special Order only				
C173	3078339	Servo unit – Mk. IIB – Sealed vacuum cylinder	1	
C174	5042782	Connector – Air breather pipe	1	
	39413061	Screw – Securing connector	1	
	9663123	Washer – Shakeproof	1	
C175	5058079	Sleeve – Rubber – Breather pipe to connector	1	
C176	3025792	Bolt – Hollow – Non-return valve connector	1	
C177	1800539	Valve – With connector – Non-return	1	
	9077040	Gasket	3	
N.B. Mk. IIB Servo unit is non dismantlable and accordingly no internal parts are supplied.				

BRAKES AND CONTROLS

Plate Ref.	Part Number	DESCRIPTION	No. per Veh.	REMARKS
		BRAKE CONTROLS – VACUUM SERVO UNIT		
		MODELS KA, KC 6055 Up to chassis number 015290 CKD No. 70120		
		Servo unit – Mk. IIA		
	3078148 Servo unit – Mk. IIA	2	
	5058069 Piston – Air and vacuum control valve lever .. †	2	
	5040288 Seal – Large – Control valve piston .. *	2	
	5040287 Seal – Small – Control valve piston .. *	2	
	5039329 Abutment – Piston and return spring .. †	2	
	 Spring – Piston return .. †	2	Not supplied separately
	5039330 Retainer – Piston return spring .. †	2	
	9206014 Circlip – Securing retainer to piston .. †	2	
	5039388 Plug – Control valve cylinder .. †	2	
	9122226 Seal – Plug .. *	2	
	5042780 Lever – Rocking – Air and vacuum valves ..	2	
	5042781 Valve – Air and vacuum ..	4	
	5042421 Spring – Valve seating ..	4	
	5039335 Clip – Retaining valve and spring to lever ..	4	
	5039336 Spring – Rocking lever return ..	2	
	5042814 Guide – Rocking lever ..	2	
	39413061 Screw – Securing spring and guide to body ..	4	
	9077070 Gasket – Screw ..	4	
	5039385 Joint – Air pipe flange and body .. *	2	
	39413061 Screw – Securing pipe flange to body ..	8	
	9663123 Washer – Shakeproof ..	8	
	9119530 Seal – Air pipe to vacuum cylinder end cover .. *	2	
	5058073 Piston – With internal seal – Hydraulic output .. *	2	
	 Seal – Outer – Hydraulic piston .. *	2	Not supplied separately
	5040279 Circlip – Retaining piston stop washer .. *	2	
	 Seal – Vacuum piston push rod .. *	2	Not supplied separately
	 Spacer – Push rod seal .. *	2	Not supplied separately
	5037760 Joint – Vacuum cylinder and body .. *	2	
	5220167 Screw – Securing vacuum cylinder to body ..	6	
	5058075 Gasket – Screw ..	6	
	5039343 Piston – With push rod and seal – Vacuum ..	2	
	5030694 Ring – Backing for piston seal .. *	2	
	5039341 Joint – Vacuum cylinder end cover .. *	2	
	39413061 Screw – Securing cylinder end cover ..	16	
	5058077 Nut ..	16	
	5042782 Connector – Air breather pipe and body ..	2	
	 Seal – Breather connector to body .. *	2	Not supplied separately
	39413061 Screw – Securing connector to body ..	2	
	9663123 Washer ..	2	
	5058079 Sleeve – Rubber – Breather pipe and connector ..	2	
	5042584 Kit – Servo unit repair .. (Items *)	2	
	5040239 Kit – Control valve piston .. (Items †)	2	

BRAKES AND CONTROLS

Plate Ref.	Part Number	DESCRIPTION	No. per Veh.	REMARKS
		BRAKE CONTROLS – VACUUM SERVO UNIT MODEL KC 6055 From chassis number 015291 CKD No. 701211		
	3078340	Servo unit – Mk. IIB – Sealed vacuum cylinder	2	Check chassis number
	3025792	Bolt – Hollow – Non-return valve banjo	2	
	9077040	Gasket	6	
	1800539	Valve – Non-return	2	
		N.B. Mk. IIB Servo unit is non-dismantleable and accordingly no internal parts are serviced.		

BRAKES AND CONTROLS

Plate Ref.	Part Number	DESCRIPTION	No. per Veh.	REMARKS
		BRAKE CONTROLS – VACUUM SERVO UNIT FIXINGS and BREATHER SYSTEM		
		ALL MODELS		
	19506082	Screw – Securing servo unit to support bracket	A/R	
	9660243	Washer	A/R	
C178	3059254	Bracket – Servo unit support	A/R	
	19506073	Screw – Securing bracket to frame	A/R	
	9067106	Washer – Plain	A/R	
	9660243	Washer – Spring	A/R	
	5221351	Nut	A/R	
C179	3018283	Hose – From servo pipe to pipe – Air breather	1	} Servo unit 3074348
	3050261	Pipe – From hose to hose – Air breather	1	
C180	3058637	Pipe – From rubber sleeve to hose – Air breather	1	} Servo unit 5042783 or 3078339
C181	9178652	Clip – Support for pipe to adjacent pipe	1	
	3059137	Pipe – From rubber sleeve to connector – Front servo breather	1	} Servo units 3078148 or 3078340
	3059140	Pipe – From rubber sleeve to connector – Rear servo breather	1	
	1800938	Connector – 3-way – Breather pipe	1	
	3060291	Pipe – From connector to hose – Air breather	1	
C182	3018287	Hose – From pipe to air filter – Air breather	1	
#	9784081	Clip – Hose clamping	2	
C183	W.13174	Clip – Pipe supporting	A/R	
	19052046	Screw – Securing clip	A/R	
	9660123	Washer – Spring	A/R	
	9600522	Nut	A/R	
C184	3018288	Filter – Air breather	1	
	5037754	Element – Filter	1	
C185	5037753	Cover – Filter element	1	
C186	5037856	Clip – Retaining cover	1	
	5221352	Screw – Securing filter base to bracket	2	
	9660163	Washer – Spring	2	
	9510041	Nut	2	
C187	3018289	Bracket – Air filter support	1	
	5221352	Screw – Securing support bracket	2	
	9660163	Washer – Spring	2	
	9510041	Nut	2	

BRAKES AND CONTROLS

Plate Ref.	Part Number	DESCRIPTION	No. per Veh.	REMARKS
BRAKE CONTROLS – HYDRAULIC SYSTEM				
MODELS WITHOUT VACUUM SERVO UNIT				
D190	P.60723	Tank – Brake fluid reservoir	1	KA models
	5041019	Cap – Filler	1	
	9122249	Washer – Filler cap	1	
D191	3026583	Tank – Brake fluid reservoir	1	KC models
	5042706	Cap – Filler	1	
	5037364	Washer – Filler cap	1	
	39413161	Screw – Clamping tank support clip	1	
	9660123	Washer – Spring	1	
	9510031	Nut	1	
D192	1046984	Clip – Tank support bracket	1	
	9510041	Nut – Securing clip to support bracket	1	KA models
	39304101	Screw – Securing clip to support bracket	1	
	9067097	Washer – Plain	1	KC models
	9660163	Washer – Spring	1	
D193	3020778	Pipe – With nut – From reservoir to hose	1	} R.H.D.
D194	3021712	Hose – Pipe to pipe	1	
	9782091	Clip – Hose clamping	2	
D195	3053687	Pipe – From hose to master cylinder inlet	1	
	9176016	Clip – Supporting pipe	1	
D196	3050266	Pipe – From reservoir to master cylinder inlet	1	L.H.D.
	P.60779	Clip – Supporting pipe	1	UNC thread
	19604041	Screw – Securing clip	1	
	5220723	Washer – Spring	1	
	9067097	Washer – Plain	1	
		Master cylinder – Fixings and details		See Page L6
		Brake pedal		See Section D
D197	1800628	Connector – Banjo type – Master cylinder outlet	1	} See Note 2 Page L15
D198	1800612	Connector – Banjo type – Master cylinder outlet	1	
D199	1800018	Bolt – Hollow – Banjo connector	1	
	9077024	Gasket	2	
D200	3058629	Pipe – From master cylinder to pressure trap valve – R.H.D.	1	} See Note 1 Page L15
	3058631	Pipe – From master cylinder to pressure trap valve – L.H.D.	1	
	P.60919	Clip – Supporting pipe	A/R	
	19052045	Screw – Clip securing	A/R	
	9096073	Washer – Plain	A/R	
	9660123	Washer – Spring	A/R	
	9600521	Nut	A/R	

BRAKES AND CONTROLS

Plate Ref.	Part Number	DESCRIPTION	No. per Veh.	REMARKS
BRAKE CONTROLS – HYDRAULIC SYSTEM				
MODELS WITHOUT VACUUM SERVO UNIT				
D201	1801149	Valve – Line pressure trap	1	
D202	1800660	Adaptor – Pressure trap valve to banjo connector	1	
	9077024	Gasket – .031" (0.8 mm) thick	1	
	9077025	Gasket – .06" (1.54 mm) thick	1	
D203	1800612	Connector – Banjo type – Adaptor to 4-way connector	1	
D204	1800018	Bolt – Hollow – Banjo connector	1	
D205	9077024	Gasket	2	
D206	3018292	Connector – 4-way	1	
	19104142	Bolt – Securing connector to frame	1	
	3024178	Distance piece	1	
	9660163	Washer – Spring	1	
	9510041	Nut	1	
D207	1801389	Switch – Brake stop light	1	
D208	3050279	Pipe – From 4-way to front 3-way connector	1	
D209	3018293	Connector – 3-way – Front	1	
	19104114	Bolt – Securing connector to frame	1	
	9660163	Washer – Spring	1	
	9510041	Nut	1	
D210	3018294	Pipe – From 3-way connector to R.H. front hose	1	
D211	3078958	Pipe – From 3-way connector to L.H. front hose	1	
	9151501	Adaptor – Pipe to hose	2	
	75061033	Gasket	2	
D212	W.12102	Hose – From pipe adaptor to wheel cylinder connector	2	
D213	P.92932	Locknut – Hose fixing	2	
	9664283	Washer – Shakeproof	2	
D214	9159306	Connector – Banjo type – Hose to front wheel cylinder	2	
	9077024	Gasket	2	
D215	1800018	Bolt – Hollow – Banjo connector	2	
D216	9077024	Gasket	2	
	P.46351	Gasket	2	
D217	3050287	Pipe – From 4-way connector to rear hose	1	123" wheelbase
	3058635	Pipe – From 4-way connector to rear hose	1	135" wheelbase
	P.60919	Clip – Pipe supporting	A/R	
	19052045	Screw – Clip securing	A/R	
	9096073	Washer – Plain	A/R	
	9660123	Washer – Spring	A/R	
	9600521	Nut	A/R	
D218	W.12102	Hose – From pipe to 3-way connector on rear axle	1	
	9077024	Gasket	1	
D219	P.92932	Locknut – Hose fixing to bracket	1	
	9664283	Washer – Shakeproof	1	
D220	3018295	Bracket – Supporting rear hose	1	
	19505062	Screw – Securing bracket to frame	2	
	9660203	Washer – Spring	2	
	5221350	Nut	2	

BRAKES AND CONTROLS

Plate Ref.	Part Number	DESCRIPTION	No. per Veh.	REMARKS
BRAKE CONTROLS – HYDRAULIC SYSTEM				
MODELS WITHOUT VACUUM SERVO UNIT				
D221	P.92928	Connector – 3-way – From rear hose to pipes on axle ..	1	KAH, KAD, KAV, KCH & KCV 3023 models KAL, KAB, KCL and KCB 3023 models. All 4023 & 4035 models. See Note 2 Page L15
	19005055	Screw – Securing connector to axle case	1	
	9660203	Washer – Spring	1	
D222	W.40061	Pipe – From 3-way connector to R.H. rear wheel cylinder ..	1	
D223	W.40059	Pipe – From 3-way connector to L.H. rear wheel cylinder ..	1	
D224	9151501	Adaptor – Pipe to wheel cylinder	2	
D225	75061033	Gasket	2	
D226	3054197	Pipe – From 3-way connector to R.H. rear wheel cylinder ..	1	
D227	3054195	Pipe – From 3-way connector to L.H. rear wheel cylinder ..	1	
	1800628	Connector – Banjo type – Pipe to wheel cylinder	2	
D228	1800612	Connector – Banjo type – Pipe to wheel cylinder	2	
D229	1800018	Bolt – Hollow – Banjo connector	2	
D230	9077024	Gasket	4	
	P.60919	Clip – Pipe supporting on axle case	A/R	
	9774066	Screw – Clip securing	A/R	
<p>NOTE. Pipes shown in this sub-section are supplied with the necessary union nuts.</p> <p>NOTE 1. Pipes for early KA Models built prior to the introduction of Pressure Trap Valve are no longer available, use the later pipes as shown. The Pressure Trap Valve was introduced from Chassis No. KA 008796 and CKD No. 700419.</p> <p>NOTE 2. Banjo type connector 1800628 has a FLAT internal seat for the pipe union and is fitted to early KA vehicles. Banjo type connector 1800612 has a CONICAL or DRILL POINT internal seat for the pipe union. Pipes listed in this sub-section are suitable for use with connector 1800612 ONLY. When fitting new pipes to early vehicles it is very important that the correct connector 1800612 is also fitted. Pipes suitable for use with the early connector are no longer available.</p>				

BRAKES AND CONTROLS

Plate Ref.	Part Number	DESCRIPTION	No. per Veh.	REMARKS
BRAKE CONTROLS – HYDRAULIC SYSTEM				
MODELS FITTED with SINGLE VACUUM SERVO UNIT				
E240	P.60723	Tank – Brake fluid reservoir	1	KA models
	5041019	Cap – Filler	1	
	9122249	Washer – Filler cap	1	
E241	3026583	Tank – Brake fluid reservoir	1	KC models
	5042706	Cap – Filler	1	
	5037364	Washer – Filler cap	1	
	39413161	Screw – Clamping tank support clip	1	
	9660123	Washer – Spring	1	
	9510031	Nut	1	
E242	1046984	Clip – Tank support bracket	1	
	9510041	Nut – Securing clip to support bracket	1	KA models
	39304101	Screw – Securing clip to support bracket	1	
	9067097	Washer – Plain	1	KC models
	9660163	Washer – Spring	1	
E243	3020778	Pipe – With nut – From reservoir to hose	1	} R.H.D.
E244	3021712	Hose – Pipe to pipe	1	
	9782091	Clip – Hose clamping	2	
E245	3053687	Pipe – From hose to master cylinder inlet	1	} R.H.D.
	9176016	Clip – Supporting pipe	1	
	3050266	Pipe – From reservoir to master cylinder inlet	1	L.H.D.
	9176016	Clip – Supporting pipe	1	UNC thread
	19604041	Screw – Securing clip	1	
	5220723	Washer – Spring	1	
	9067097	Washer – Plain	1	
		Master cylinder – Fixings and details		See Page L6
		Brake pedal		See Section D
E246	1800628	Connector – Banjo type – Master cylinder outlet	1	} See Note 3 Page L18
E247	1800612	Connector – Banjo type – Master cylinder outlet	1	
E247	1800018	Bolt – Hollow – Banjo connector	1	
E248	9077024	Gasket	2	
E249	3054185	Pipe – From master cylinder to servo unit – R.H.D.	1	
	3075984	Pipe – From master cylinder to servo unit – L.H.D.	1	
	9176013	Clip – Supporting pipe	1	L.H.D.
	P.60919	Clip – Supporting pipe	A/R	
	19052045	Screw – Clip securing	A/R	
	9096073	Washer – Plain	A/R	
	9660123	Washer – Spring	A/R	
	9600521	Nut	A/R	
		Servo unit		See Pages L7 to L9
E250	3050273	Pipe – From servo unit to 4-way connector	1	See Note 1 Page L18
E251	3058633	Pipe – From servo unit to pressure trap valve	1	See Note 2 Page L18

BRAKES AND CONTROLS

Plate Ref.	Part Number	DESCRIPTION	No. per Veh.	REMARKS
BRAKE CONTROLS – HYDRAULIC SYSTEM				
MODELS FITTED with SINGLE VACUUM SERVO UNIT				
E252	1801149	Valve – Line pressure trap	1	
E253	1800660	Adaptor – Pressure trap valve to banjo connector	1	
	9077024	Gasket – .031" (0.8 mm) thick	1	
	9077025	Gasket – .06" (1.54 mm) thick	1	
E254	1800612	Connector – Banjo type – Adaptor to 4-way connector	1	
E255	1800018	Bolt – Hollow – Banjo connector	1	
E256	9077024	Gasket	2	
E257	3018292	Connector – 4-way	1	
	19104142	Bolt – Securing connector to frame	1	
	3024178	Distance piece	1	
	9660163	Washer – Spring	1	
	9510041	Nut	1	
E258	1801389	Switch – Brake stop light	1	
E259	3050279	Pipe – From 4-way to front 3-way connector	1	
E260	3018293	Connector – 3-way – Front	1	
	19104114	Bolt – Securing connector to frame	1	
	9660163	Washer – Spring	1	
	9510041	Nut	1	
E261	3026631	Pipe – From 3-way connector to R.H. front hose	1	
E262	3078958	Pipe – From 3-way connector to L.H. front hose	1	
	9151501	Adaptor – Pipe to hose	2	
	75061033	Gasket	2	
E263	W.12102	Hose – From pipe adaptor to wheel cylinder connector	2	
E264	P.92932	Locknut – Hose fixing	2	
	9664283	Washer – Shakeproof	2	
E265	9159306	Connector – Banjo type – Hose to front wheel cylinder	2	
	9077024	Gasket	2	
E266	1800018	Bolt – Hollow – Banjo connector	2	
E267	9077024	Gasket	2	
	P.46351	Gasket	2	
E268	3050287	Pipe – From 4-way connector to rear hose	1	123" wheelbase
	3058635	Pipe – From 4-way connector to rear hose	1	135" wheelbase
	P.60919	Clip – Pipe supporting	A/R	
	19052045	Screw – Clip securing	A/R	
	9096073	Washer – Plain	A/R	
	9660123	Washer – Spring	A/R	
	9600521	Nut	A/R	
E269	W.12102	Hose – From pipe to 3-way connector on rear axle	1	
	9077024	Gasket	1	
E270	P.92932	Locknut – Hose fixing to bracket	1	
	9664283	Washer – Shakeproof	1	
E271	3018295	Bracket – Supporting rear hose	1	
	19505062	Screw – Securing bracket to frame	2	
	9660203	Washer – Spring	2	
	5221350	Nut	2	

BRAKES AND CONTROLS

Plate Ref.	Part Number	DESCRIPTION	No. per Veh.	REMARKS	
BRAKE CONTROLS – HYDRAULIC SYSTEM					
MODELS FITTED with SINGLE VACUUM SERVO UNIT					
E272	P.92928	Connector – 3-way – From rear hose to pipes on axle ..	1	} KAH, KAD, KAV, KCH & KCV 3023 models	
	19005055	Screw – Securing connector to axle case	1		
	9660203	Washer – Spring	1		
	W.40061	Pipe – From 3-way connector to R.H. rear wheel cylinder ..	1		
	W.40059	Pipe – From 3-way connector to L.H. rear wheel cylinder ..	1		
	9151501	Adaptor – Pipe to wheel cylinder	2		
	75061033	Gasket	2		
E273	3054197	Pipe – From 3-way connector to R.H. rear wheel cylinder ..	1		} KAL, KAB, KCL & KCB 3023 models. All 4023, 4035 & 6035 models. See Note 3 Page L18
E274	3054195	Pipe – From 3-way connector to L.H. rear wheel cylinder ..	1		
	1800628	Connector – Banjo type – Pipe to wheel cylinder	2		
E275	1800612	Connector – Banjo type – Pipe to wheel cylinder	2		
E276	1800018	Bolt – Hollow – Banjo connector	2		
E277	9077024	Gasket	4		
	P.60919	Clip – Pipe supporting on axle case	A/R		
	9774066	Screw – Clip securing	A/R		
<p>NOTE. Pipes shown in this sub-section are supplied with the necessary union nuts.</p> <p>NOTE 1. Applicable to vehicles built UP TO chassis number KA – 008908 and CKD No. 700418.</p> <p>NOTE 2. Applicable to vehicles built FROM chassis number KA – 008909 and CKD No. 700419.</p> <p>NOTE 3. Banjo type connector 1800628 has a FLAT internal seat for the pipe union and is fitted to early KA vehicles. Banjo type connector 1800612 has a CONICAL or DRILL POINT internal seat for the pipe union. Pipes listed in this sub-section are suitable for use with connector 1800612 ONLY. When fitting new pipes to early vehicles it is very important that the correct connector 1800612 is also fitted. Pipes suitable for use with early connector are no longer available.</p>					

BRAKES AND CONTROLS

Plate Ref.	Part Number	DESCRIPTION	No. per Veh.	REMARKS
BRAKE CONTROLS - VACUUM SYSTEM				
MODELS FITTED WITH SINGLE VACUUM SERVO UNIT				
	5034153	Connector - Elbow - Pipe to induction manifold	1	} KAH, KCH - See Note 1 Page L21
	3059348	Pipe - Connector to hose	1	
	3018281	Hose	1	
	3059134	Pipe - Hose to hose	1	
	9166034	Hose - Pipe to non-return valve	1	
	9782101	Clip - Clamping hose to pipe	4	
	5034153	Connector - Elbow - Pipe to induction manifold	1	} KCH - See Note 2 Page L21
	3059348	Pipe - Connector to hose	1	
	3018283	Hose	1	
	3060814	Pipe - Hose to hose	1	
	9178652	Clip - Support for pipe to adjacent pipe	1	
	3018283	Hose - Pipe to non-return valve	1	
	9782101	Clip - Clamping hose to pipe	4	
	W.13174	Clip - Pipe supporting	3	} KAH, KCH
	19503032	Screw - Clip securing	2	
	9660123	Washer - Spring	2	
	9510031	Nut	2	
E278	3050297	Pipe - With banjo connector - Induction manifold to hose ..	1	} KAL, KCL
E279	3019560	Bolt - Hollow - Banjo connector	1	
E280	9077040	Gasket	2	
	9176032	Clip - 28" (7 mm.) screw hole - Pipe supporting	1	
	9176031	Clip - 4" (10 mm.) screw hole - Pipe supporting	1	
	19506062	Screw - Securing clip	1	
	9660243	Washer - Spring	1	
E281	3018281	Hose - Pipe to pipe	1	} KAL, KCL - See Note 1 Page L21
E282	3050310	Pipe - Hose to hose	1	
E283	9166034	Hose - Pipe to non-return valve	1	
E284	9782101	Clip - Clamping hose to pipe	4	
	3018281	Hose - Pipe to pipe	1	} KCL - See Note 2 Page L21
	3060814	Pipe - Hose to hose	1	
	9178652	Clip - Support for pipe to adjacent pipe	1	
	3018283	Hose - Pipe to non-return valve	1	
	9782101	Clip - Clamping hose to pipe	4	
	W.13174	Clip - Pipe supporting	A/R	} KAL, KCL
	19052046	Screw - Securing clip	A/R	
	9660123	Washer - Spring	A/R	
	9600522	Nut	A/R	
	3059263	Pipe - Exhauster to hose	1	} KAD, KAV, KCV - See Note 1 Page L21
	3018281	Hose - Pipe to pipe	1	
	3059134	Pipe - Hose to hose	1	
	9166034	Hose - Pipe to non-return valve	1	
	9782101	Clip - Clamping hose to pipe	4	
	3059263	Pipe - Exhauster to hose	1	} KCV - See Note 2 Page L21
	3018283	Hose - Pipe to pipe	1	
	3060814	Pipe - Hose to hose	1	
	9178652	Clip - Supporting pipe to adjacent pipe	1	
	3018283	Hose - Pipe to non-return valve	1	
	9782101	Clip - Clamping hose to pipe	4	

BRAKES AND CONTROLS

Plate Ref.	Part Number	DESCRIPTION	No. per Veh.	REMARKS
BRAKE CONTROLS – VACUUM SYSTEM				
MODELS FITTED WITH SINGLE VACUUM SERVO UNIT				
	W.13174	Clip – Pipe supporting	A/R	} KAD, KAV, KCV
	19503032	Screw – Securing clip	A/R	
	9660123	Washer – Spring	A/R	
	9510031	Nut	A/R	
E285	5034153	Connector – Elbow – Pipe to exhauster	1	KAB, KCB
E286	3050295	Pipe – Connector elbow to hose	1	See Note 3 Page L21
	3060154	Pipe – Connector elbow to hose	1	See Note 4 Page L21
	9178563	Clip – Spring push in type – Pipe support	1	
	73037996	Bracket – Clip and pipe to engine	1	
E287	3018281	Hose – Pipe to pipe	1	} KAB, KCB – See Note 1 Page L21
E288	3050310	Pipe – Hose to hose	1	
	9166034	Hose – Pipe to non-return valve	1	
	9782101	Clip – Clamping hose to pipe	4	
	9166034	Hose – Pipe to pipe	1	} KCB – See Note 2 Page L21
	3060814	Pipe – Hose to hose	1	
	9178652	Clip – Supporting pipe to adjacent pipe	1	
	3018283	Hose – Pipe to non-return valve	1	
	9782101	Clip – Clamping hose to pipe	4	
	9176031	Clip – Pipe supporting	1	} KAB, KCB
	19506062	Screw – Securing clip	1	
	9660243	Washer – Spring	1	
	W.13174	Clip – Pipe supporting	A/R	
	19052046	Screw – Securing clip	A/R	
	9660123	Washer – Spring	A/R	
	9600522	Nut	A/R	
E289	1800539	Valve – Non-return – With banjo connector – Hose to servo unit	1	} See Note 1 Page L21
E290	3019561	Connector – Banjo type – Servo to vacuum tank pipe	1	
E291	3018285	Bolt – Hollow – Valve and connector to servo unit	1	
E292	9077040	Gasket	3	
E293	3059142	Pipe – Servo connector to vacuum tank	1	
E294	3019561	Connector – Banjo type – Pipe to vacuum tank	1	
E295	3019560	Bolt – Hollow – Banjo connector (Petrol engined models)	1	
	3019559	Bolt – Hollow – Banjo connector (Diesel engined models)	1	
E296	9077040	Gasket	2	
	1801860	Valve – Non-return – With banjo connector – Hose to vacuum tank	1	
	3019561	Connector – Banjo type – Vacuum tank to servo pipe	1	
	3025792	Bolt – Hollow – Banjo connectors	1	
	9077040	Gasket	3	
	3060815	Pipe – Tank connector to hose	1	
	3025640	Hose – Pipe to servo unit	1	
	9782101	Clip – Clamping hose to pipe	2	

BRAKES AND CONTROLS

Plate Ref.	Part Number	DESCRIPTION	No. per Veh.	REMARKS
BRAKE CONTROLS – VACUUM SYSTEM				
MODELS FITTED WITH SINGLE VACUUM SERVO UNIT				
E297	3050302	Tank – Vacuum reservoir	1	
	19052045	Screw – Securing tank to support bracket	4	
	9660123	Washer – Spring	4	
	9600521	Nut	4	
E298	3050301	Bracket – Supporting vacuum tank to frame	2	
	19505062	Screw – Securing bracket to frame	4	
	9660203	Washer – Spring	4	
	5221350	Nut	4	
	9152101	Connector – Straight union – Pipe to vacuum tank	1	
	9078019	Washer – Fibre	1	
	3025498	Pipe – Vacuum tank to tee connector	1	
	1801546	Connector – Tee	1	
	19503082	Screw – Tee connector to support bracket	1	
	9660123	Washer – Spring	1	
	9510031	Nut	1	
	3025492	Bracket – Supporting tee connector	1	
	39033120	Screw – Securing support bracket to frame	2	
	9660123	Washer – Spring	2	
	9600522	Nut	2	
		Switch – Vacuum operated		} See Section Q
		Gauge – Vacuum		
		Washer – Vacuum gauge		
		Buzzer – Warning		
	3025495	Pipe – Tee connector to gauge	1	R.H.D.
	3026257	Pipe – Tee connector to gauge	1	L.H.D.
	9178544	Clip – Supporting pipe to frame	A/R	
NOTE 1. Applicable to vehicles built UP TO chassis number KC – 015261 and CKD No. 701223.				
NOTE 2. Applicable to vehicles built FROM chassis number KC – 015262 and CKD No. 701224. This point introduces the Vacuum Servo Unit Mk. IIB with sealed vacuum cylinder.				
NOTE 3. Applicable to vehicles built UP TO chassis number KCB – 016936 and CKD No. 701330.				
NOTE 4. Applicable to vehicles built FROM chassis number KCB – 016937 and CKD No. 701331.				

BRAKES AND CONTROLS

Plate Ref.	Part Number	DESCRIPTION	No. per Veh.	REMARKS
BRAKE CONTROLS – HYDRAULIC SYSTEM				
MODELS FITTED with TWIN VACUUM SERVO UNITS				
F310	P.60723	Tank – Brake fluid reservoir	2	KA models
	5041019	Cap – Filler	2	
	9122249	Washer – Filler cap	2	
F310	3026583	Tank – Brake fluid reservoir	2	KC models
	5042706	Cap – Filler	2	
	5037364	Washer – Filler cap	2	
	39413161	Screw – Clamping tank support clip	2	
	9660123	Washer – Spring	2	
	9510031	Nut	2	
F311	1046984	Clip – Tank support bracket	2	
	19604052	Screw – Securing clip to support bracket	2	R.H.D.
	39304101	Screw – Securing clip to support bracket	2	
	9067097	Washer – Plain	2	L.H.D.
	9660163	Washer – Spring	2	
	9510041	Nut	2	
F312	3020778	Pipe – From reservoir to hose – R.H. short	1	} R.H.D.
F313	3059216	Pipe – From reservoir to hose – L.H. long	1	
F314	3021712	Hose – Pipe to pipe	2	
	9782091	Clip – Hose clamping	4	
F315	3059231	Pipe – From hose to master cylinder front inlet	1	} L.H.D.
F316	3059230	Pipe – From hose to master cylinder rear inlet	1	
	3059166	Pipe – From reservoir to master cylinder front inlet	1	} L.H.D.
	3059165	Pipe – From reservoir to master cylinder rear inlet	1	
	9176016	Clip – Supporting pipe	1	
	19604041	Screw – Securing clip	1	
	9661163	Washer – Spring	1	
F317	9159211	Connector – Banjo type – Reservoir pipes to master cylinder	2	
F318	9159519	Bolt – Hollow – Banjo connector	2	
F319	9077037	Gasket – .6" (15.2 mm) I.D.	2	
F319	P.46351	Gasket – .5" (12.7 mm) I.D.	2	
		Master cylinder – Fixings and connections		See Page L6
		Brake pedal		See Section D
F320	3059147	Pipe – From master cylinder to front servo unit	1	} R.H.D.
F321	3059148	Pipe – From master cylinder to rear servo unit	1	
	3077639	Pipe – From master cylinder to front servo unit	1	} L.H.D.
	3077640	Pipe – From master cylinder to rear servo unit	1	
	3024255	Bracket – Clip support	1	L.H.D.
	W.13174	Clip – Supporting pipe	A/R	
	19052046	Screw – Securing clip	A/R	
	9660123	Washer – Spring	A/R	
	9600522	Nut	A/R	

BRAKES AND CONTROLS

Plate Ref.	Part Number	DESCRIPTION	No. per Veh.	REMARKS
BRAKE CONTROLS – HYDRAULIC SYSTEM				
MODELS FITTED with TWIN –VACUUM SERVO UNITS				
		Servo unit – Front – Controlling front brakes		See Pages L10 and L11
F322	3059136	Pipe – From front servo unit to pressure trap valve	1	Front Brakes
F323	1801149	Valve – Line pressure trap	1	
	1800660	Adaptor – Pressure trap valve to banjo connector	1	
	9077024	Gasket – .031" (0.8 mm) thick	1	
	9077025	Gasket – .06" (1.54 mm) thick	1	
F324	1800612	Connector – Banjo type – Adaptor to 4-way connector	1	
F325	1800018	Bolt – Hollow – Banjo connector	1	
F326	9077024	Gasket	2	
F327	3018292	Connector – 4-way	1	
F328	1801371	Plug	1	
	19104142	Bolt – Securing connector to frame	1	
	3024178	Distance piece	1	
	9660163	Washer – Spring	1	
	9510041	Nut	1	
		Switch – Brake stop light		See Section Q
F329	3050275	Pipe – From 4-way to front 3-way connector	1	Front brakes
F330	3018293	Connector – 3-way – Front	1	
	19104114	Bolt – Securing connector to frame	1	
	9660163	Washer – Spring	1	
	9510041	Nut	1	
F331	3018294	Pipe – From 3-way connector to R.H. front hose	1	Front brakes
F332	3078958	Pipe – From 3-way connector to L.H. front hose	1	Front brakes
F333	9151501	Adaptor – Pipe to hose	2	
	75061033	Gasket	2	
	P.60919	Clip – Pipe supporting	A/R	
	19052045	Screw – Clip securing	A/R	
	9096073	Washer – Plain	A/R	
	9660123	Washer – Spring	A/R	
	9600521	Nut	A/R	
F334	W.12102	Hose – From pipe adaptor to wheel cylinder connector	2	Front brakes
	P.92932	Locknut – Hose fixing	2	
	9664283	Washer – Shakeproof	2	
F335	9159306	Connector – Banjo type – Hose to front wheel cylinder	2	
	9077024	Gasket	2	
F336	1800018	Bolt – Hollow – Banjo connector	2	
F337	9077024	Gasket	2	
F337	P.46351	Gasket	2	
		Servo unit – Rear – Controlling rear brakes		See Pages L10 and L11
F338	3059139	Pipe – From rear servo unit to pressure trap valve	1	
F339	1801149	Valve – Line pressure trap	1	
F340	3060469	Pipe – From pressure trap valve to 4-way connector	1	

BRAKES AND CONTROLS

Plate Ref.	Part Number	DESCRIPTION	No. per Veh.	REMARKS
BRAKE CONTROLS – HYDRAULIC SYSTEM				
MODELS FITTED with TWIN VACUUM SERVO UNIT				
F341	3018292	Connector – 4-way	1	
F342	1801371	Plug	1	
	19104142	Bolt – Securing connector to frame	1	
	3024178	Distance piece	1	
	9660163	Washer – Spring	1	
	9510041	Nut	1	
		Switch – Brake stop light		See Section Q
F343	3060457	Pipe – From 4-way connector to rear hose	1	
	P.60919	Clip – Pipe supporting	A/R	
	19052045	Screw – Clip securing	A/R	
	9096073	Washer – Plain	A/R	
	9660123	Washer – Spring	A/R	
	9600521	Nut	A/R	
F344	W.12102	Hose – From pipe to 3-way connector on rear axle	1	Rear brakes
	9077024	Gasket	1	
F345	P.92932	Locknut – Hose fixing to bracket	1	
	9664283	Washer – Shakeproof	1	
F346	3018295	Bracket – Supporting rear hose	1	
	19505062	Screw – Securing bracket to frame	2	
	9660203	Washer – Spring	2	
	5221350	Nut	2	
F347	P.92928	Connector – 3-way – From rear hose to pipes on axle	1	
	19005055	Screw – Securing connector to axle case	1	
	9660203	Washer – Spring	1	
F348	3054197	Pipe – From 3-way connector to R.H. rear wheel cylinder	1	
F349	3054195	Pipe – From 3-way connector to L.H. rear wheel cylinder	1	
F350	1800612	Connection – Banjo type – Pipe to wheel cylinder	2	
F351	1800018	Bolt – Hollow – Banjo connector	2	
F352	9077024	Gasket	4	
	P.60919	Clip – Pipe supporting on axle case	A/R	
	9774066	Screw – Clip securing	A/R	
NOTE. Pipes shown in this sub-section are supplied with the necessary union nuts.				

BRAKES AND CONTROLS

Plate Ref.	Part Number	DESCRIPTION	No. per Veh.	REMARKS
BRAKE CONTROLS – VACUUM SYSTEM				
MODELS FITTED WITH TWIN VACUUM SERVO UNITS				
	3050297	Pipe – With banjo connector – Induction manifold to hose ..	1	} KAL, KCL
	3019560	Bolt – Hollow – Banjo connector	1	
	9077040	Gasket	2	
	9176032	Clip – .28" (7 mm.) screw hole – Pipe supporting	1	
	9176031	Clip – .4" (10 mm.) screw hole – Pipe supporting	1	
	19506062	Screw – Securing clip	1	
	9660243	Washer – Spring	1	
F353	5034153	Connector – Elbow – Pipe to exhauster	1	} KAF, KCF
F354	3058962	Pipe – Connector elbow to hose	1	
	9178563	Clip – Spring push in type – Pipe support	1	
	73037996	Bracket – Clip and pipe to engine	1	
F355	3018281	Hose – Pipe to pipe	1	} See Note 1 Page L 26 See Note 2 Page L 26
F356	9782101	Clip – Clamping hose to pipe	2	
F357	3059134	Pipe – Hose to hose	1	
	3060814	Pipe – Hose to hose	1	
	9178652	Clip – Supporting pipe to adjacent pipe	1	
	9166034	Hose – Pipe to non-return valve	1	
F358	3018283	Hose – Pipe to non-return valve	1	
F359	9782101	Clip – Clamping hose to pipe	2	
	W.13174	Clip – Pipe supporting	A/R	
	19052046	Screw – Securing clip	A/R	
	9660123	Washer – Spring	A/R	
	9600522	Nut	A/R	
F360	1800539	Valve – Non-return – With banjo – Hose to front servo unit ..	1	} See Note 1 Page L26
F361	3019561	Connector – Banjo type – Servo to vacuum tank pipe	1	
F362	3018285	Bolt – Hollow – Valve and connector to servo unit	1	
F363	9077040	Gasket	3	
F364	3059142	Pipe – Servo connector to vacuum tank	1	
F365	3019561	Connector – Banjo type – Servo pipes to vacuum tank	2	
F366	3018285	Bolt – Hollow – Banjo connector	1	
F367	9077040	Gasket	3	
	1801860	Valve – Non-return – With banjo connector – Hose to tank ..	1	} See Note 2 Page L26
	3019561	Connector – Banjo type – Vacuum tank to servo pipe	1	
	3025792	Bolt – Hollow – Banjo connectors	1	
	9077040	Gasket	3	
	3060815	Pipe – Tank connector to hose	1	
	3025640	Hose – Pipe to front servo unit	1	
	9782101	Clip – Clamping hose to pipe	2	

BRAKES AND CONTROLS

Plate Ref.	Part Number	DESCRIPTION	No. per Veh.	REMARKS
BRAKE CONTROLS – VACUUM SYSTEM				
MODELS FITTED WITH TWIN VACUUM SERVO UNITS				
F368	3050302	Tank – Vacuum reservoir	1	
	19052045	Screw – Securing tank to support bracket	4	
	9660123	Washer – Spring	4	
	9600521	Nut	4	
F369	3050301	Bracket – Supporting vacuum tank to frame	2	
	19505062	Screw – Securing bracket to frame	4	
	9660203	Washer – Spring	4	
	5221350	Nut	4	
F370	3059141	Pipe – Vacuum tank connector to rear servo connector	1	} See Note 1 Page L26
F371	3019561	Connector – Banjo type – Pipe to rear servo unit	1	
	3019560	Bolt – Hollow – Banjo connector (Petrol engined model)	1	
F372	3019559	Bolt – Hollow – Banjo connector (Diesel engined model)	1	
F373	9077040	Gasket	2	
	3060816	Pipe – Vacuum tank connector to hose	1	} See Note 2 Page L26
	3025640	Hose – Pipe to rear servo unit	1	
	9782101	Clip – Clamping hose to pipe	2	
	9152101	Connector – Straight union – Pipe to vacuum tank	1	
	9078019	Washer – Fibre	1	
	3025498	Pipe – Vacuum tank to tee connector	1	
	1801546	Connector – Tee	1	
	19503122	Screw – Tee connector to support bracket	1	
	9660123	Washer – Spring	1	
	9510031	Nut	1	
	3025492	Bracket – Supporting tee connector	1	
	39033120	Screw – Securing support bracket to frame	2	
	9660123	Washer – Spring	2	
	9600522	Nut	2	
		Switch – Vacuum operated		} See Section Q
		Gauge – Vacuum		
		Buzzer – Warning		
	3025495	Pipe – Tee connector to gauge	1	R.H.D.
	3026257	Pipe – Tee connector to gauge	1	L.H.D.
	P.45709	Washer – Vacuum gauge	1	
	9178544	Clip – Supporting pipe to frame	5	
	9178531	Clip – Supporting pipe to bulkhead	1	
NOTE 1. Applicable to vehicles built UP TO chassis number : KC – 015261 and CKD No. 701223.				
NOTE 2. Applicable to vehicles built FROM chassis number : KC – 015262 and CKD No. 701224. This point introduces the Vacuum Servo Unit Mk. IIB with sealed vacuum cylinder.				

BRAKES AND CONTROLS

Plate Ref.	Part Number	DESCRIPTION	No. per Veh.	REMARKS
BRAKE CONTROLS – HANDBRAKE SYSTEM				
G380	3050677	Lever assembly – Handbrake control	1	Not supplied separately
G381	5039437	Lever	1	
G382	5039435	Trigger – Pawl release	1	
G383	9075071	Pin – Trigger pivot	2	
G384	9206010	Washer – Trigger spacing	1	
G385	9086043	Clip – Pivot pin retaining	1	
G386	5039436	Washer – Spring – Pivot pin	1	
G387	5039432	Rod – Pawl releasing	1	
G388	5039434	Nut – Rod and spring retaining	1	
G389	9068007	Spring – Pawl engaging	2	
G390	5039433	Washer – Plain – Spring retaining	1	
G391	5040408	Pawl	1	
G392	5039431	Bush – Fibre – Lever serrated	1	
G393	69304140	Cover – Lever	2	
		Rivet – Fixing cover	2	
G394	3018110	Shaft – Relay	1	
G395	9553083	Nut – Self-locking – Retaining lever to shaft	1	
G396	9067059	Washer – Plain	1	
G397	3018118	Distance piece – Spherical bush	1	
G398	3018119	Bush – Spherical – Relay shaft support	1	
G399	3018120	Ring – Abutment for spherical bush	1	
G400	3018121	Cap – Retaining spherical bush	2	
	19503062	Screw – Securing cap to bracket	2	
	9660123	Washer – Spring	2	
	9510031	Nut	1	
G401	3018108	Ratchet – Handbrake lever	2	
G402	3018109	Distance piece – Ratchet plate	1	
G403	3051014	Cover – Lever pivot and ratchet	2	
G404	39313081	Screw – Panel to cover	2	
	9663123	Washer – Shakeproof	2	
G405	19105161	Bolt – Cover and ratchet plate to bracket	2	
	9067022	Washer – Plain	2	
	9660203	Washer – Spring	1	
G406	3050080	Bracket – Upper support for relay shaft	1	
	3050081	Bracket – Upper support for relay shaft	1	
G407	3018114	Bracket – With bush – Lower support for relay shaft	1	
	3018115	Bracket – With bush – Lower support for relay shaft	2	
G408	3018117	'U' Bolt – Support brackets to steering column	4	
	9660203	Washer – Spring	4	
G409	5221350	Nut	1	
G410	3018212	Rod – From relay shaft lever to relay lever	1	
	3020836	Fork – Offset type – Rod to shaft lever	1	
G411	P.52076	Fork – Rod to relay	2	
	P.52076	Fork – Rod to shaft lever and relay	2	
G412	W.13025	Nut – Square – Fork to rod	2	
G413	9520060	Locknut – Rod adjustment	2	
G414	W.13603	Pin – Fork to levers	2	
G415	9540051	Nut – Slotted	2	
	9830508	Pin – Split	2	

BRAKES AND CONTROLS

Plate Ref.	Part Number	DESCRIPTION	No. per Veh.	REMARKS
BRAKE CONTROLS – HANDBRAKE SYSTEM				
G416	3018133	Bracket – With pivot pin – Relay lever support	1	R.H.D.
	3018134	Bracket – With pivot pin – Relay lever support	1	L.H.D.
	19505062	Screw – Securing bracket to frame	4	
	9660203	Washer – Spring	4	
	5221350	Nut	4	
G417	3020082	Lever – With bush – Relay for rods	1	R.H.D.
	3020083	Lever – With bush – Relay for rods	1	L.H.D.
G418	P.60434	Bush – Relay lever	1	
G419	9086015	Washer – Spring	1	
G420	9067077	Washer – Plain	1	
	9830810	Pin – Split – Retaining lever to support bracket	1	
G421	3025413	Rod – From relay lever to cable	1	123" wheelbase
	3025412	Rod – From relay lever to cable	1	135" wheelbase
	3021153	Rod – From relay lever to cable	1	155" wheelbase
G422	P.52076	Fork – Rod to lever	1	
G423	W.13025	Nut – Square – Fork to rod	1	
G424	9520060	Locknut – Rod adjustment	1	
G425	W.13603	Pin – Fork to lever	1	
G426	9540051	Nut – Slotted	1	
	9830508	Pin – Split	1	
G427	W.13030	Nut – Special – Connecting rod to cable	1	
G428	9520060	Locknut – Connecting nut	1	
G429	P.20687	Plate – Linking switch spring to rod	1	KC models
G430	9520060	Locknut – Adjusting link plate	2	
G431	1801410	Spring – Stop light switch operating	1	
		Switch – Stop light – Handbrake	1	See Section Q
	3026951	Gasket	1	
	39033101	Screw – Securing switch to bracket	2	
	9068009	Washer – Plain	2	
	9660123	Washer – Spring	2	
	9600522	Nut	2	
	19505062	Screw – Securing bracket to frame	2	
	9660203	Washer – Spring	2	
	5221350	Nut	2	
G432	3050086	Bracket – Support for brake rod steady bush	1	
	19505062	Screw – Securing bracket to frame	2	
	9660203	Washer – Spring	2	
	5221350	Nut	2	
G433	W.13154	Clip – Steady bush to support bracket	1	
	19504052	Screw – Securing clip to bracket	2	
	9660163	Washer – Spring	2	
	9510041	Nut	2	
G434	P.30047	Bush – Brake rod steady	1	

BRAKES AND CONTROLS

Plate Ref.	Part Number	DESCRIPTION	No. per Veh.	REMARKS
BRAKE CONTROLS – HANDBRAKE SYSTEM				
G435	W.13164	Cable assembly – Handbrake control	1	} KAH, KAD, KAV, KCH, KCV 3023 models
	9217025	Greaser	1	
G436	P.52076	Fork – Cable to equaliser on rear axle	1	
G437	W.13025	Nut – Square – Fork to cable	1	
G438	9520060	Locknut – Cable adjustment	1	
G439	W.13603	Pin – Fork to equaliser lever	1	
G440	9540051	Nut – Slotted	1	
	9830508	Pin – Split	1	
G441	P.60494	Abutment – Handbrake cable outer sheath	1	
G442	P.60493	Thimble – Split sleeve – Outer sheath	1	
	19505082	Screw – Securing abutment to frame	2	
	9660203	Washer – Spring	2	
	5221350	Nut	2	
	19105091	Bolt – Clamping abutment on rear axle	1	} KAH, KAD, KAV, KCH, KCV 3023 models
	9660203	Washer – Spring	1	
	5221350	Nut	1	
G443	3018148	Bracket – Supporting equaliser on axle case	1	} KAH, KAD, KAV, KCH, KCV 3023 models
G444	3026776	Bush – Equaliser lever links	2	
	19506062	Screw – Securing bracket to axle case	2	
	9660243	Washer – Spring	2	
G445	W.15083	Lever – Operating brake rods on rear axle	1	} KAH, KAD, KAV, KCH, KCV 3023 models
G446	3026776	Bush	2	
G447	P.60443	Link – Equalising for brake lever	2	
	W.13029	Pin – Link	2	
G448	3017774	Seal – Link pins	2	
G449	9540081	Nut – Slotted – Securing lower link to pins	4	
	9067059	Washer – Plain	4	
	9830610	Pin – Split	4	
	9217027	Greaser – Equaliser	1	
	9078019	Washer – Fibre	2	
G450	3017798	Rod – Equaliser lever to L.H. wheel cylinder – R.H.D.	1	} KAH, KAD, KAV, KCH, KCV 3023 models
G451	3017797	Rod – Equaliser lever to R.H. wheel cylinder – R.H.D.	1	
	3017797	Rod – Equaliser lever to L.H. wheel cylinder – L.H.D.	1	
	3017798	Rod – Equaliser lever to R.H. wheel cylinder – L.H.D.	1	
G452	P.52076	Fork – Rod to equaliser lever	2	
G453	W.13025	Nut – Square – Fork to rod	2	
G454	W.13603	Pin – Fork to lever	2	
G455	9540051	Nut – Slotted	2	
	9830508	Pin – Split	2	
G456	P.96887	Fork – Rod to wheel cylinder link	2	
G457	W.13025	Nut – Square – Fork to rod	2	
G458	W.16043	Pin – Fork to link	2	
G459	9540041	Nut – Slotted	2	
	9830305	Pin – Split	2	
G460	9520060	Locknut – Rod adjustment	8	
	9086005	Washer – Spring – Fork pin	2	
	9067241	Washer – Plain	1	

BRAKES AND CONTROLS

Plate Ref.	Part Number	DESCRIPTION	No. per Veh.	REMARKS
BRAKE CONTROLS – HANDBRAKE SYSTEM				
G461	3018621	Lever assembly – Brake equaliser	1	KAL, KAB, KCL, KCB 3023 models and all 40/60 models
G462	3026776	Bush – Levers	1	
G463	3018619	Lever – Brake equaliser	1	
	19506062	Bolt – Lever to lever	1	
	9660243	Washer – Spring	1	
	5221351	Nut	1	
G464	9572074	Nut – Self-locking – Equaliser lever assy. to pivot on axle	1	
G465	9067265	Washer – Plain	1	
G466	3019449	Spring – Equaliser lever return – R.H.D.	1	
	3024337	Spring – Equaliser lever return – L.H.D.	1	
G467	3050706	Cable assembly – Rod to L.H. wheel cylinder – R.H.D.	1	KAL, KAB 3023 and all 40/60 models with offset differential – See Note 2 Page G7
G468	3018614	Cable – Equaliser to R.H. wheel cylinder – R.H.D.	1	
	3051491	Cable assembly – Rod to R.H. wheel cylinder – L.H.D.	1	
	3019248	Cable – Equaliser to L.H. wheel cylinder – L.H.D.	1	KAL, KAB, KCL, KCB 3023 models and all 40/60 models with central differential See Note 3 Page G7
	3050706	Cable assembly – Rod to L.H. wheel cylinder – R.H.D.	1	
	3022501	Cable – Equaliser to R.H. wheel cylinder – R.H.D.	1	
	3051491	Cable assembly – Rod to R.H. wheel cylinder – L.H.D.	1	
	3022500	Cable – Equaliser to L.H. wheel cylinder – L.H.D.	1	KAL, KAB, KCL, KCB 3023 models and all 40/60 models
	9217025	Greaser – Cable assembly	1	
G469	P.52076	Fork – Cable to wheel cylinder lever	2	
G470	W.13025	Nut – Square – Fork to cable	2	
G471	9520060	Locknut – Cable adjustment	2	
G472	W.13603	Pin – Fork to lever	4	
G473	9540051	Nut – Slotted	2	
	9830305	Pin – Split	2	
G474	9179036	Clip – Cable to support bracket	1	
	19503042	Screw – Clip to support bracket	1	
	9660123	Washer – Spring	1	
	5220700	Nut	1	
G475	3019071	Bracket – Cable clip to axle case	1	
	19504052	Screw – Bracket to axle case	2	
	9661163	Washer – Spring	2	

SECTION LA

BRAKES AND CONTROLS

FROM Chassis Nos.:

KC 2523 — 1st Production

KC 3023 — 018982

KC 4023 — 018997

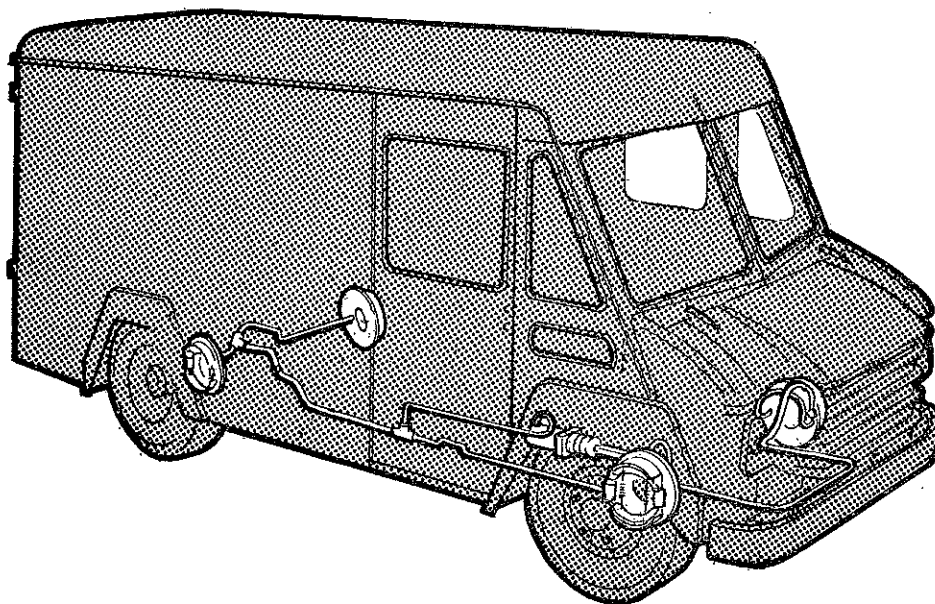
KC 4035 — 018997

KC 4055 — 1st Production

KC 6023 — 1st Production

KC 6035 — 1st Production

KC 6055 — 019040



BRAKES AND CONTROLS

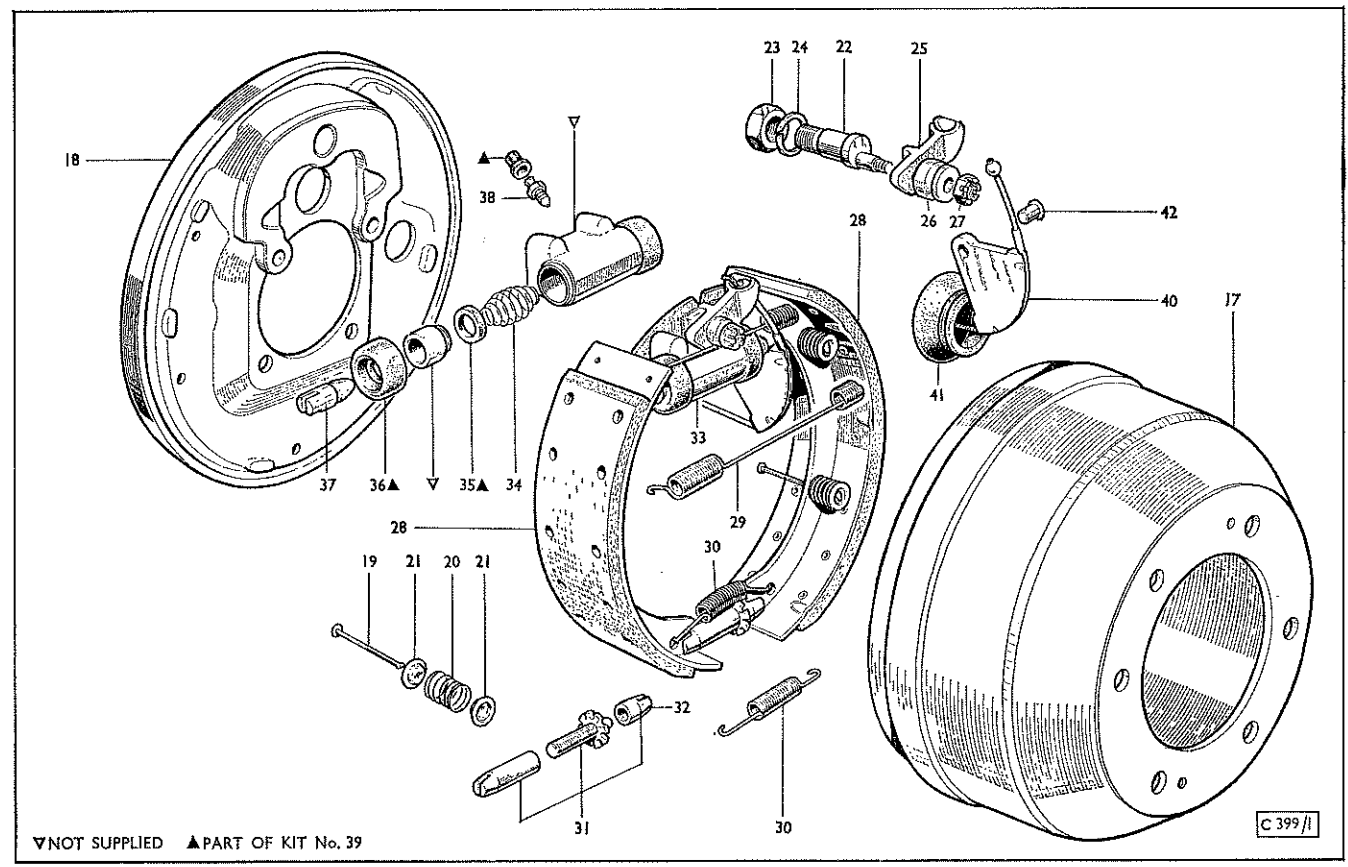
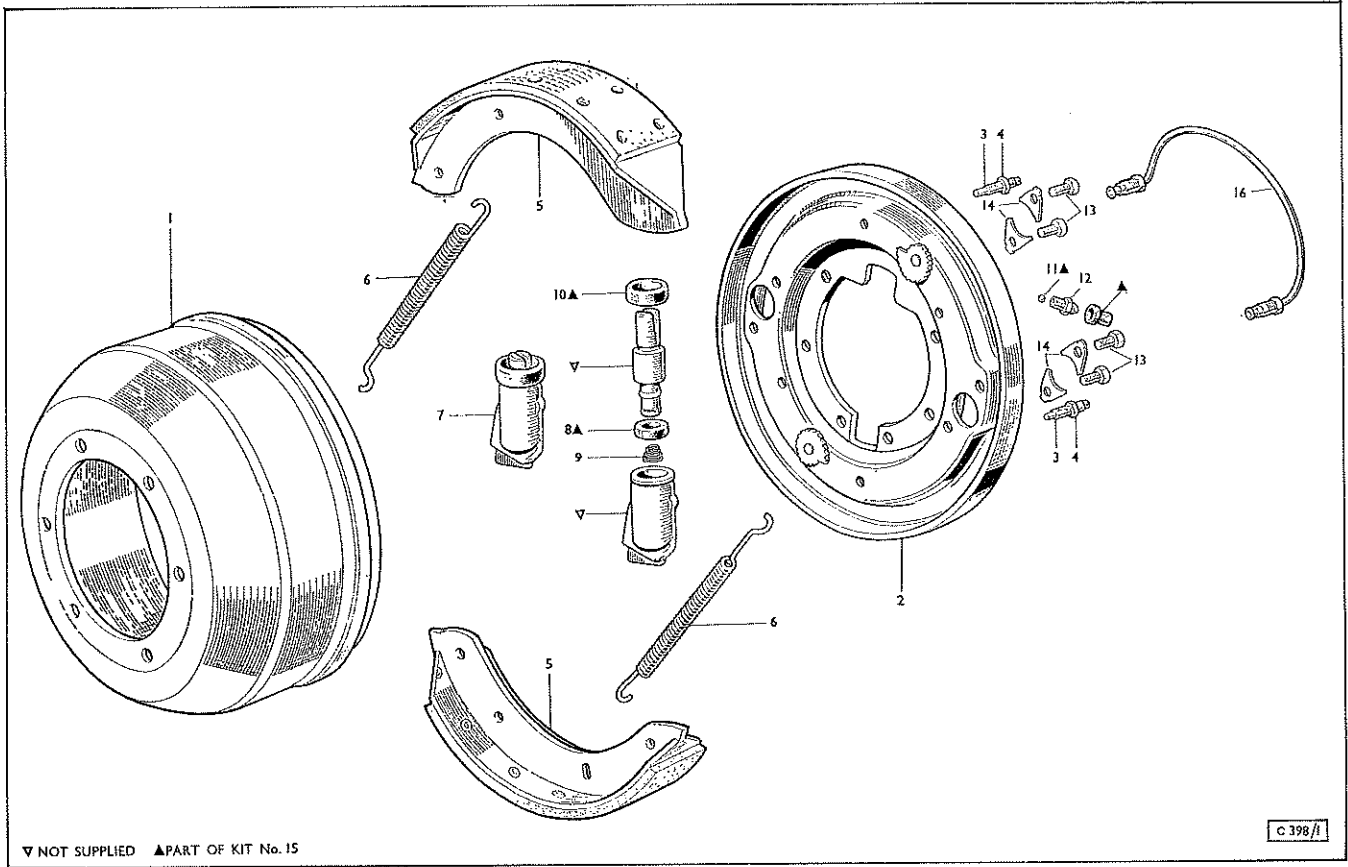


PLATE A - SECTION LA

BRAKES AND CONTROLS

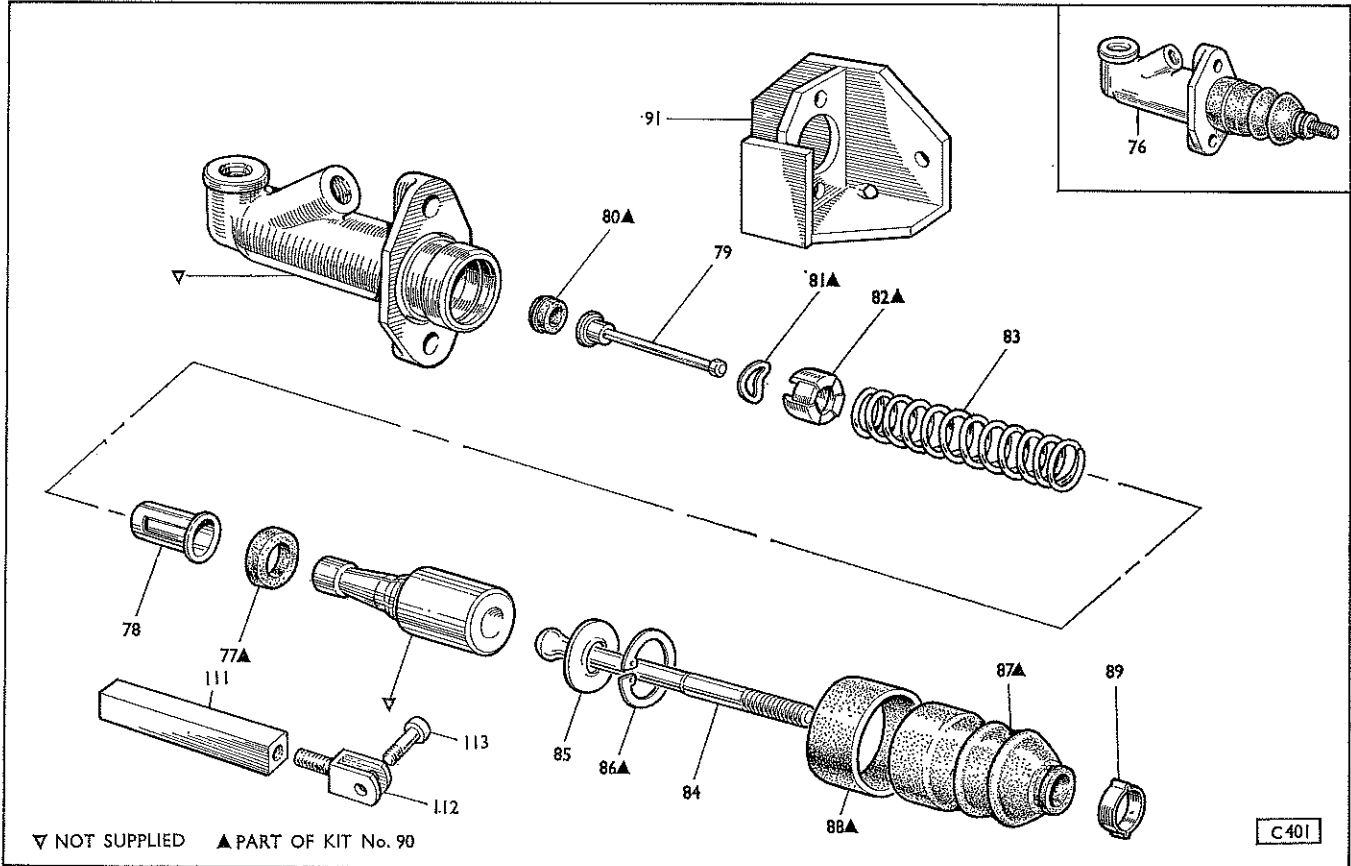
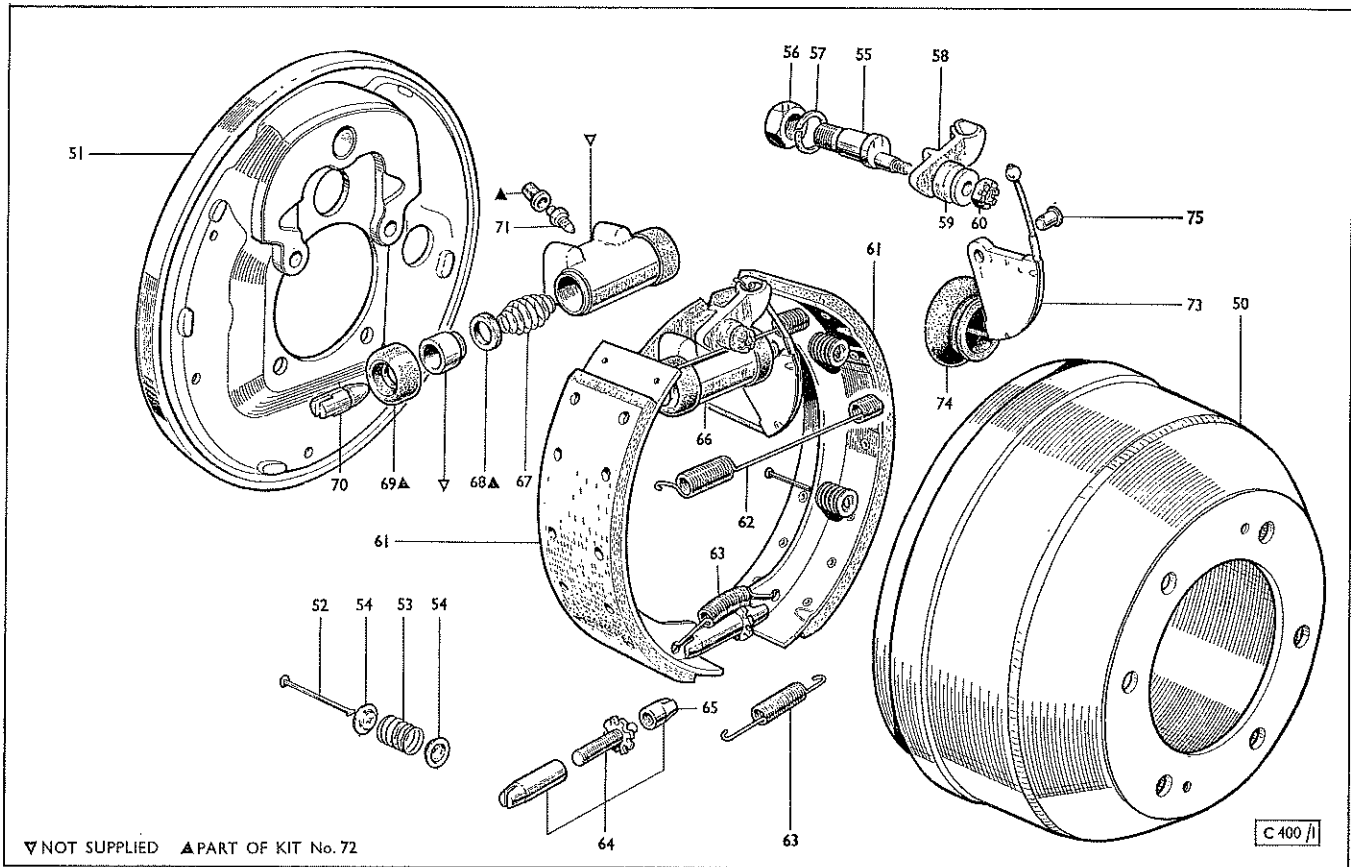
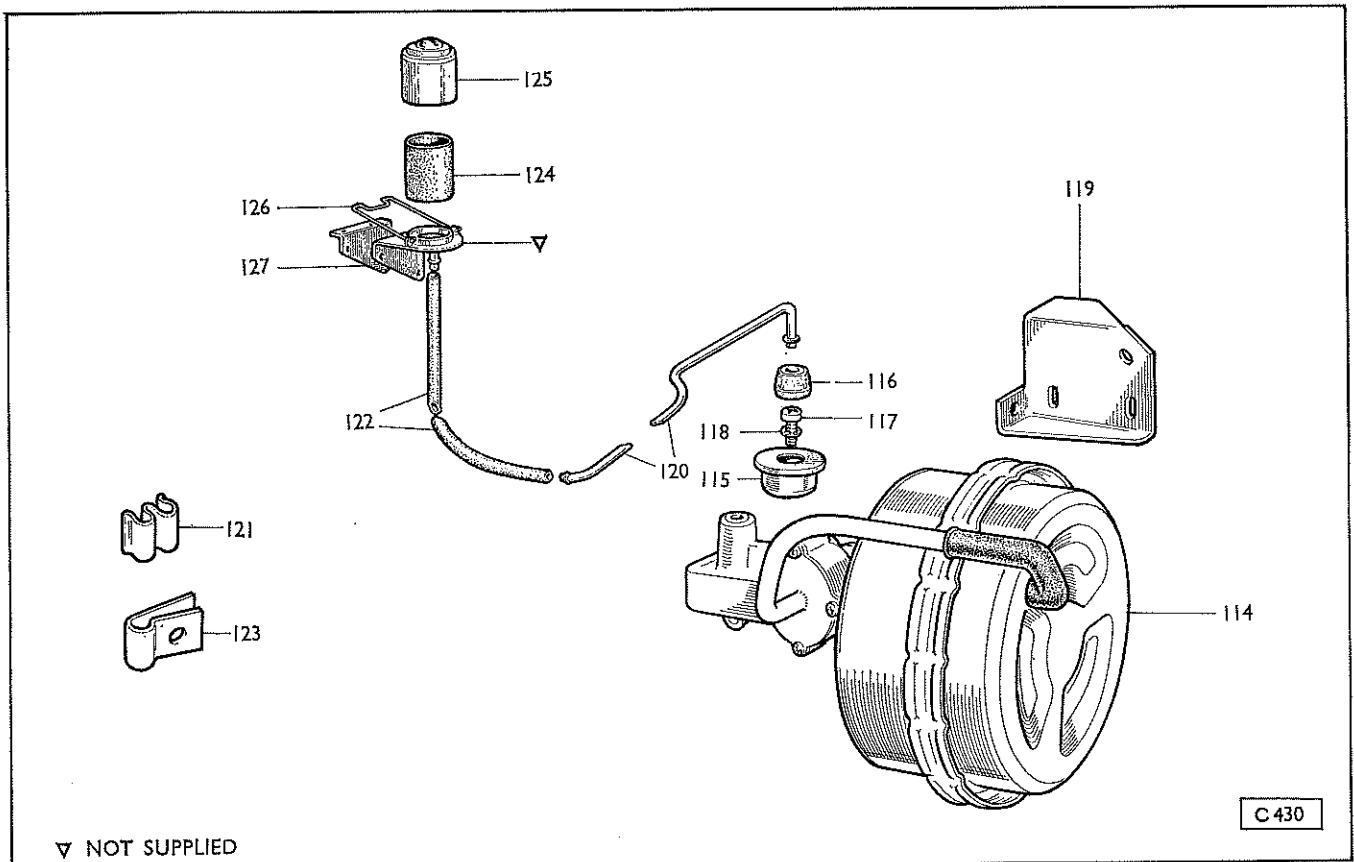
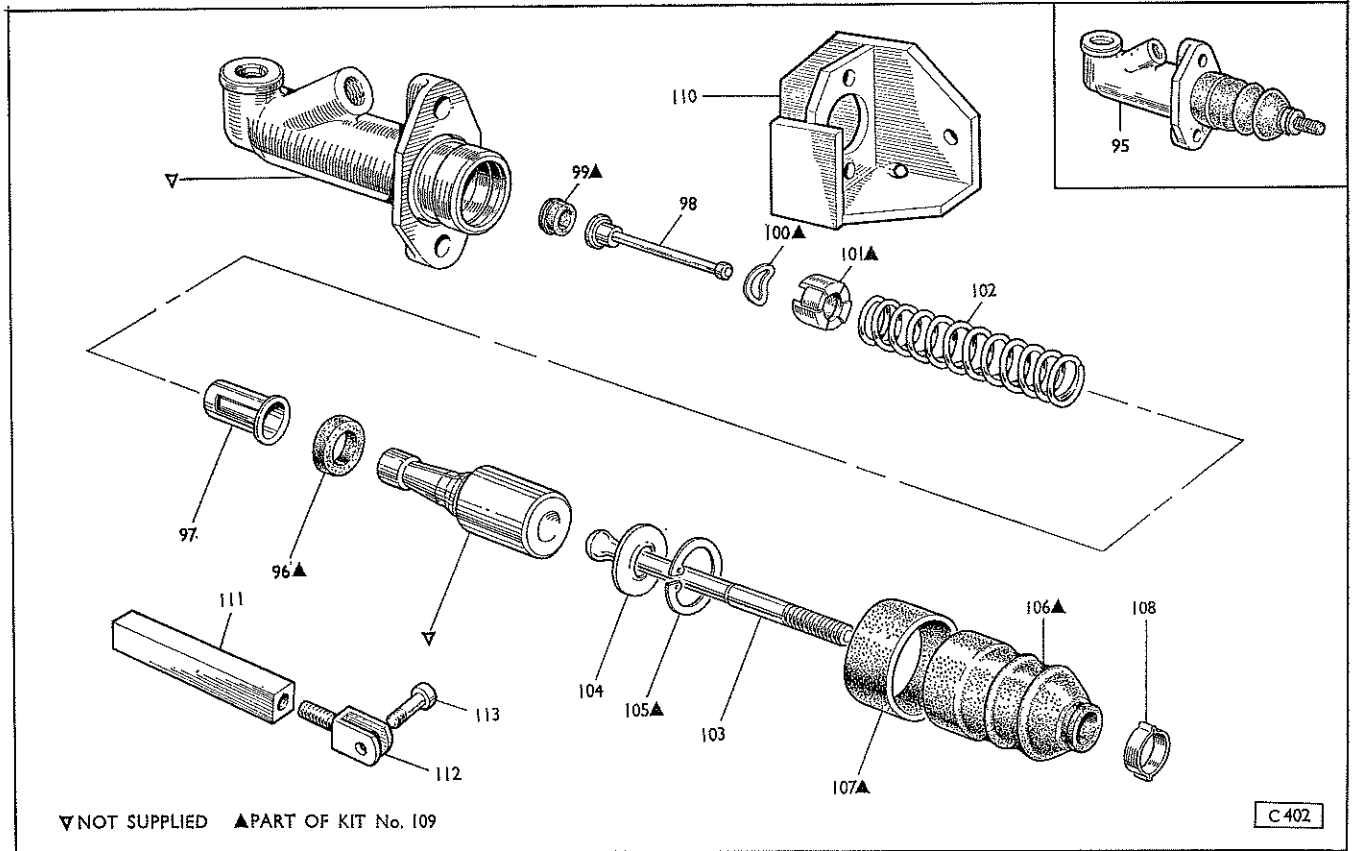


PLATE B - SECTION LA

BRAKES AND CONTROLS



BRAKES AND CONTROLS

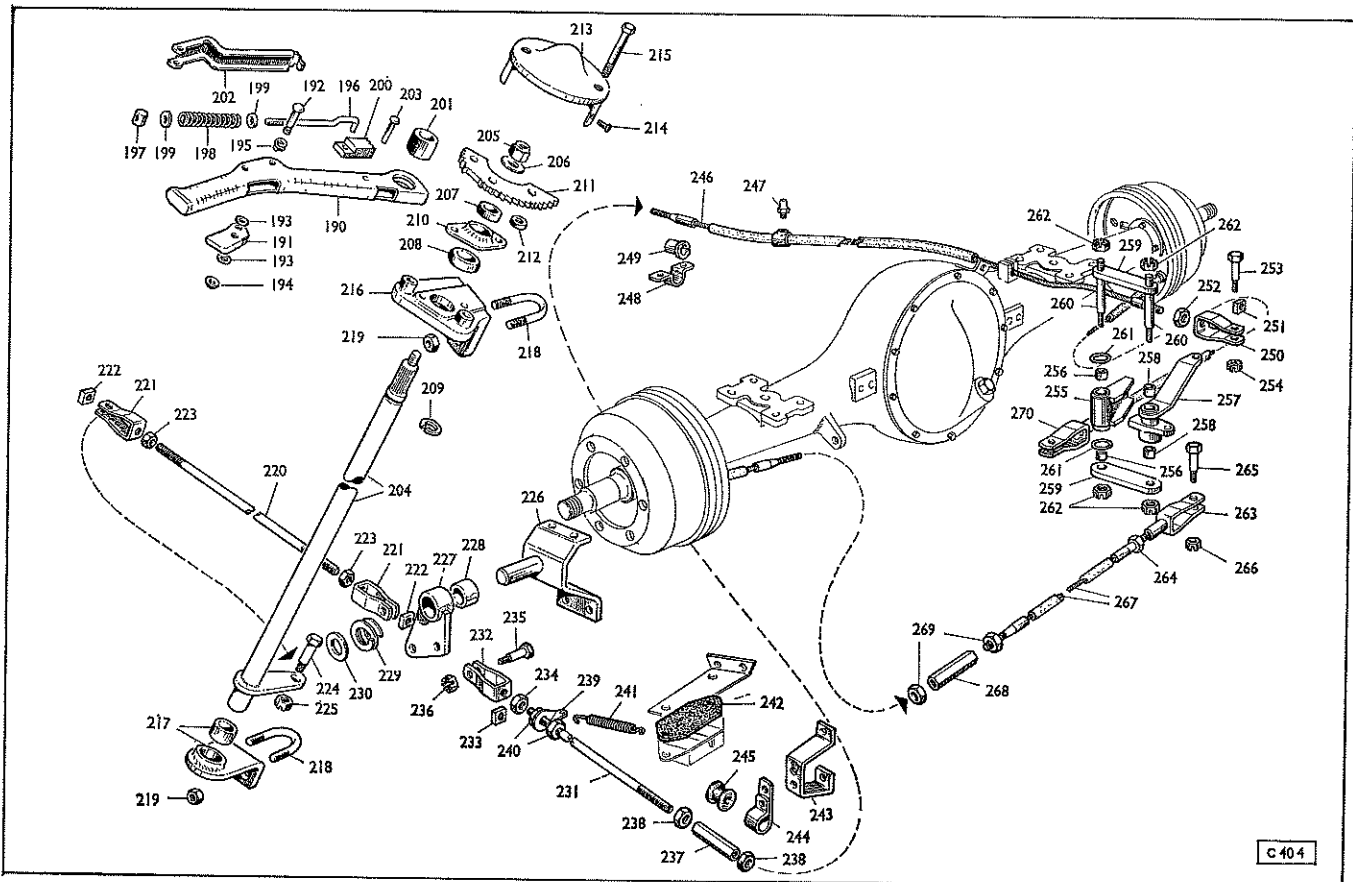
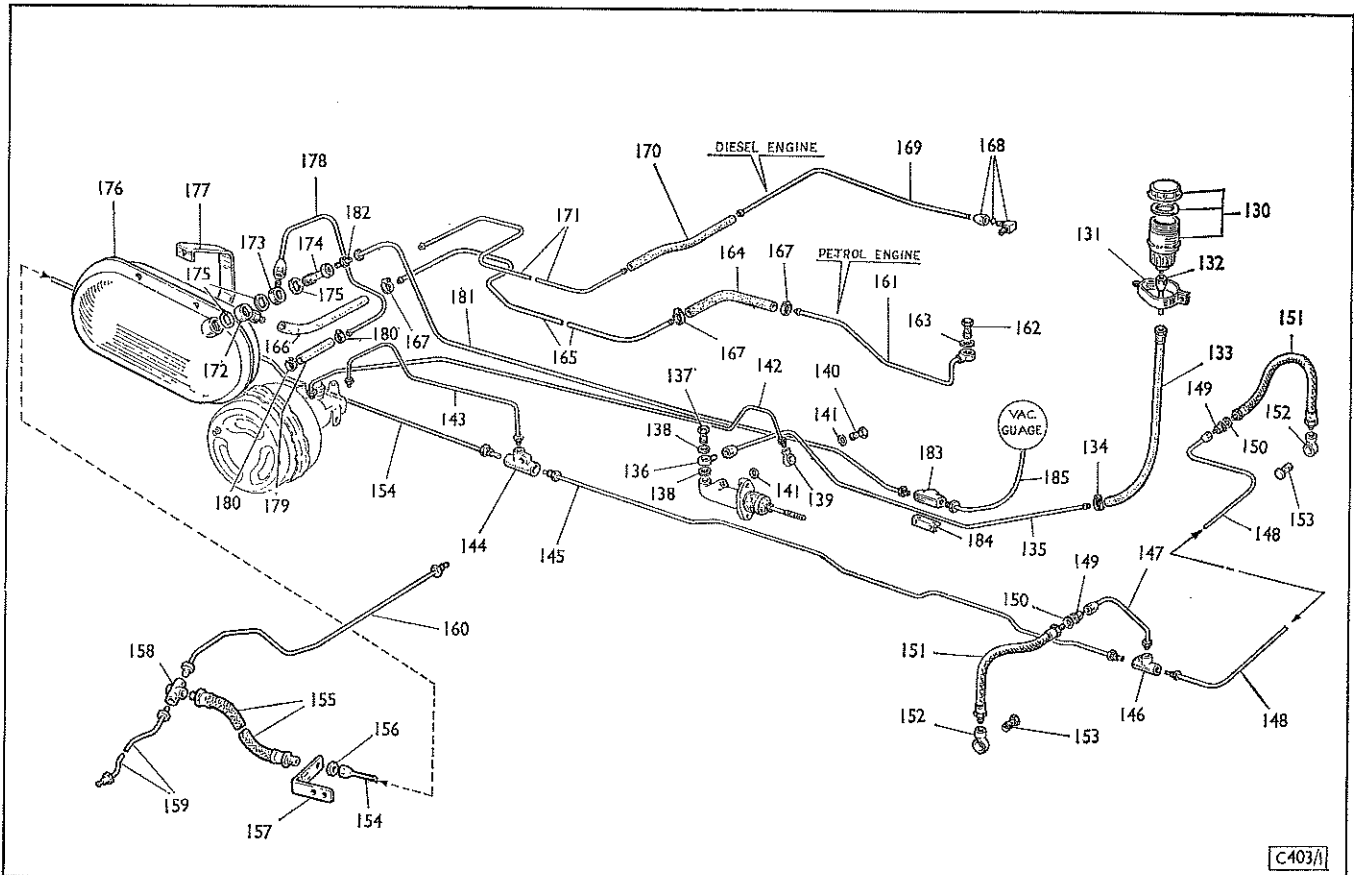


PLATE D - SECTION LA

BRAKES AND CONTROLS

Plate Ref.	Part Number	DESCRIPTION	No. per Veh.	REMARKS	
FRONT BRAKE UNIT					
ALL MODELS					
N.B. Complete Brake Units are not supplied – please order parts shown below as required. Replacement Brake Shoes with Linings are available in part exchange for the original.					
A1	3062443	Brake drum 12·25" (311·2 mm) dia.	2	} 25/30 models	
	39115121	Screw – Securing drum to hub	4		
	9666203	Washer	4		
N.B. Screws and Washers will be deleted and countersunk holes in the Brake Drums will also be deleted in future production 25/30 models.					
A1	3063426	Brake drum 12·25" (311·2 mm) dia.	2	} 40/60 models	
	3017745	Bolt – Securing drum to hub	12		
	5221351	Nut	12		
	9660243	Washer	12		
A2	5039393	Back plate – R.H.	1	} See Section H	
A2	5039392	Back plate – L.H.	1		
	3017746	Bolt – Securing back plate to stub axle	4		
	5220731	Nut – Self-locking	4		
N.B. Securing Nuts and Bolts for the Steering Arms also secure the back plate to the stub axle.					
A3	K.21143	Post – Adjustable shoe steady	4		
A4	9520051	Locknut – Steady post adjustment	4		
A5	5042242	Brake shoe – With lining – R.H. (Boxed pair (2))	1 pr.		
A5	5042241	Brake shoe – With lining – L.H. (Boxed pair (2))	1 pr.		
	5042243	Lining	4		
	5057583	Rivet – Lining to shoe	48		
A6	5039362	Spring – Pull-off – Brake shoe	4		
A7	5039395	Wheel cylinder – R.H. assembly	2		
A7	5039394	Wheel cylinder – L.H. assembly	2		
A8	5039397	Seal – Piston	* 4		
A9	5039398	Spring	4		
A10	5039399	Boot – Dust excluding for piston and cylinder	* 4		
A11	9187008	Ball – Steel – For sealing bleed hole	* 2		
A12	5041515	Screw – Bleeder	2		
	K.21836	Cap – Dust excluding for bleeder screw	* 2		
A13	9003240	Screw – Securing wheel cylinder to back plate	8		
A14	5042126	Tabwasher	8		
A15	5039363	Kit – Wheel cylinder repair (Includes items marked * and services four (4) wheel cylinders)	1		
A16	5039714	Pipe – Wheel cylinder bridge	2		
	K.29799	Clip – Steady for pipe	2		
	5221352	Screw – Steady clip to back plate	2		
	75060822	Washer – Shakeproof	2		

BRAKES AND CONTROLS

Plate Ref.	Part Number	DESCRIPTION	No. per Veh.	REMARKS
		REAR BRAKE UNIT		Check model
		KCB - 25 KCL, KCB - 30 KCH, KCL, KCV, KCB, KCF - 40		
		KCH - 25 KCH, KCV - 30		} For these models SEE PAGE L2
A17	3059591	Brake drum	2	
	39115121	Screw - Securing drum to hub	4	
A18	75060752	Back plate - R.H.	1	
A18	75060753	Back plate - L.H.	1	
A19	75060748	Pin - Brake shoe steady	8	
A20	75060754	Spring - Steady pin	8	
A21	5057605	Cup - Spring retaining	16	
A22	75060751	Pin - Brake shoe anchor and handbrake cam pivot	2	
A23	5057941	Nut - Securing pin to back plate	2	
A24	75060744	Washer - Spring	2	
A25	5057611	Cam - Brake shoe expanding - Handbrake - R.H.	1	
A25	5057610	Cam - Brake shoe expanding - Handbrake - L.H.	1	
A26	75060750	Sleeve	2	
A27	5057612	Nut - Slotted	2	
A28	75060765	Brake shoe - With lining - R.H. (Boxed pair (2))	1 pr.	
A28	75060764	Brake shoe - With lining - L.H. (Boxed pair (2))	1 pr.	
	75060783	Lining - Primary for front shoe	2	
	75060784	Lining - Secondary for rear shoe	2	
	5057602	Rivet - Lining to shoe	52	
A29	5057606	Spring - Pull-off - Brake shoe wheel cylinder end	2	
A30	5057607	Spring - Pull-off - Brake shoe adjuster end	2	
A31	75060756	Adjuster - Assembly R.H.	1	
A31	75060755	Adjuster - Assembly L.H.	1	
A32	75060749	Sleeve	2	
	5057619	Grommet - Adjuster access hole sealing	2	
A33	75060763	Wheel cylinder	2	
A34	75060761	Spring - Inter piston	2	
A35	5041276	Seal - Piston	* 4	
A36	5057616	Boot - Dust excluding	* 4	
A37	75060762	Strut - Piston to brake shoe	4	
A38	K.28714	Screw - Bleeder	2	
	K.21836	Cap - Dust excluding - Bleeder screw	* 2	
	75060786	Seal - Wheel cylinder body to back plate	2	
	5057660	Screw - Securing wheel cylinder to backplate	4	
	75060787	Washer - Shakeproof	4	
A39	75060745	Kit - Wheel cylinder repair (Includes items marked *)	2	
A40	75060758	Quadrant - With cable and boot - Handbrake cam operating	2	
A41	5057622	Boot - Dust excluding	2	
A42	5057623	Pin - Pivot for quadrant	2	

BRAKES AND CONTROLS

Plate Ref	Part Number	DESCRIPTION	No. per Veh.	REMARKS
#		REAR BRAKE UNIT		Check model
		KCL, KCF - 60		
B50	3062314	Brake drum	2	
	39115121	Screw - Securing drum to hub	4	
B51	75060792	Back plate - R.H.	1	
B51	75060791	Back plate - L.H.	1	
B52	75060793	Pin - Brake shoe steady	8	
B53	75060754	Spring - Steady pin	8	
B54	5057605	Cup - Spring retaining	16	
B55	75060751	Pin - Brake shoe anchor and handbrake cam pivot	2	
B56	5057941	Nut - Securing pin to back plate	2	
B57	75060744	Washer - Spring	2	
	5057611	Cam - Brake shoe expanding - Handbrake - R.H.	1	
B58	5057610	Cam - Brake shoe expanding - Handbrake - L.H.	1	
B59	75060750	Sleeve	2	
B60	5057612	Nut - Slotted	2	
B61	75060767	Brake shoe - With lining - R.H. (Boxed pair (2))	1 pr.	
B61	75060766	Brake shoe - With lining - L.H. (Boxed pair (2))	1 pr.	
	5057600	Lining - Primary for front shoe	2	
	5057601	Lining - Secondary for rear shoe	2	
	5057602	Rivet - Lining to shoe	52	
B62	5057606	Spring - Pull-off - Brake shoe wheel cylinder end	2	
B63	5057607	Spring - Pull-off - Brake shoe adjuster end	2	
B64	75060756	Adjuster - Assembly R.H.	1	
B64	75060755	Adjuster - Assembly L.H.	1	
B65	75060749	Sleeve	2	
	5057619	Grommet - Adjuster access hole sealing	2	
B66	75060788	Wheel cylinder	2	
B67	5057615	Spring - Inter piston	2	
B68	5039397	Seal - Piston	* 4	
B69	5057616	Boot - Dust excluding	* 4	
B70	75060762	Strut - Piston to brake shoe	4	
	K.28714	Screw - Bleeder	2	
	K.21836	Cap - Dust excluding - Bleeder screw	* 2	
	75060786	Seal - Wheel cylinder body to back plate	2	
	5057660	Screw - Securing wheel cylinder to back plate	4	
	75060787	Washer - Shakeproof	4	
B71	75060746	Kit - Wheel cylinder repair (Includes items marked *)	2	
B72	75060758	Quadrant - With cable and boot - Handbrake cam operating	2	
B73	5057622	Boot - Dust excluding	2	
B74	5057623	Pin - Pivot for quadrant	2	

BRAKES AND CONTROLS

Plate Ref.	Part Number	DESCRIPTION	No. per Veh.	REMARKS	
		BRAKE CONTROLS – MASTER CYLINDER		CHECK TYPE OF BRAKES	
B76	3062575	Master cylinder – .875" (22.2 mm) bore .. Black band	1	With NON-SERVO brakes	
B77	5038513	Seal – Piston *	1		
B78	5038424	Retainer – Seal and piston return spring	1		
B79	5030669	Stem – Recuperating valve	1		
B80	5030670	Seal – Valve head *	1		
B81	5030672	Spring – Waved – Valve stem *	1		
# B82	5059557	Spacer – Piston return spring	1		
B83	5038500	Spring – Piston return	1		
B84	75060622	Push rod	1		
B85	75060654	Washer – Piston stop and push rod retaining	1		
B86	5220158	Circlip – Retaining washer *	1		
B87	75060653	Boot – Push rod *	1		
B88	75060655	Band – Retaining boot to body *	1		
# B89	5039356	Sleeve – Retaining boot to push rod *	1		
B90	75060656	Kit – Master cylinder repair (Includes items marked *) ..	1		
B91	73063555	Bracket – Master cylinder support	1		R.H.D.
B91	73063554	Bracket – Master cylinder support	1		L.H.D.
	19506092	Screw – Securing bracket to frame	2		
	9660243	Washer – Spring	2		
	5221351	Nut	2		
	19505091	Screw – Securing master cylinder to bracket	2		
	9660203	Washer – Spring	2		
	5221350	Nut	2		
C95	3062576	Master cylinder – 1" (25.4 mm) bore .. White band	1	With SERVO brakes	
C96	5058004	Seal – Piston *	1		
C97	5038424	Retainer – Seal and piston return spring	1		
C98	5030669	Stem – Recuperating valve	1		
C99	5030670	Seal – Valve head *	1		
C100	5030672	Spring – Waved – Valve stem *	1		
# C101	5059557	Spacer – Piston return spring	1		
C102	5038500	Spring – Piston return	1		
C103	75060622	Push rod	1		
C104	5058014	Washer – Piston stop and push rod retaining	1		
C105	75060623	Circlip – Retaining washer *	1		
C106	75060624	Boot – Push rod *	1		
C107	5039355	Band – Retaining boot to body *	1		
# C108	5039356	Sleeve – Retaining boot and push rod *	1		
C109	75060626	Kit – Master cylinder repair (Includes items marked *) ..	1		
C110	3063414	Bracket – Master cylinder support	1	R.H.D.	
C110	3063413	Bracket – Master cylinder support	1	L.H.D.	
	19506092	Screw – Securing master cylinder and bracket	4		
	9660243	Washer – Spring	2		
	5221351	Nut	2		
BC111	3026928	Rod – Extension for master cylinder push rod	1	All models	
BC112	3018352	Fork – Extension rod to pedal	1		
	9520060	Locknut – Rod adjustment	2		
BC113	W.13603	Pin – Fork to pedal	1		
	9540051	Nut	1		
	9830508	Pin – Split	1		

BRAKES AND CONTROLS

Plate Ref.	Part Number	DESCRIPTION	No. per Veh.	REMARKS
		<p>BRAKE CONTROLS - VACUUM SERVO UNIT FIXINGS and AIR BREATHER SYSTEM</p> <p>KCL, KCB 2523 and 3023 - TO SPECIAL ORDER ALL OTHER MODELS STANDARD FITMENT</p>		
C114	3078339	Servo unit - Mk. IIB - Sealed vacuum cylinder	1	
C115	5042782	Connector - Air breather pipe	1	
C116	5058079	Sleeve - Rubber - Pipe to connector	1	
C117	39413061	Screw - Securing connector	1	
C118	9663123	Washer - Shakeproof	1	
	19506082	Screw - Securing servo unit to mounting bracket	3	
	9660243	Washer - Spring	3	
C119	3059254	Bracket - Mounting for servo unit	1	
	19506073	Bolt - Securing bracket to frame	2	
	9660243	Washer - Spring	2	
	5221351	Nut	2	
C120	3058637	Pipe - Servo unit to air filter hose	1	
C121	9178652	Clip - Support for pipe to adjacent pipe	1	Also shown on Pages LA8 & 9
C122	3018287	Hose - Pipe to air filter	1	
#	9784081	Clip - Hose clamping	2	
C123	W.13174	Clip - Supporting pipe	A/R	
	19052045	Screw - Securing clip	A/R	
	9660123	Washer - Spring	A/R	
	9600521	Nut	A/R	
	3018288	Filter - Air breather	1	
C124	5037754	Element - Filter	1	
C125	5037753	Cover - Filter element	1	
C126	5037856	Clip - Retaining cover	1	
	5221352	Screw - Filter base to support bracket	2	
	9660163	Washer - Spring	2	
	9510041	Nut	2	
C127	3018289	Bracket - Air breather filter support	1	
	5221352	Screw - Securing bracket to body	2	
	9660163	Washer - Spring	2	
	9510041	Nut	2	

BRAKES AND CONTROLS

Plate Ref.	Part Number	DESCRIPTION	No. per Veh.	REMARKS
BRAKE CONTROLS – HYDRAULIC SYSTEM				
ALL MODELS				
D130	3026930	Tank – Brake fluid reservoir	1	
	5042706	Cap – Filler	1	
	5037364	Washer – Filler cap	1	
	39413161	Screw – Clamping tank support clip	1	
	9660123	Washer – Spring	1	
	9510031	Nut	1	
D131	1046984	Clip – Tank support bracket	1	
	39304101	Screw – Securing clip to support bracket	1	
	9660163	Washer – Spring	1	
	9510041	Nut	1	
D132	3026932	Pipe – From reservoir to hose Except KCF	1	} R.H.D.
D132	3062884	Pipe – From reservoir to hose KCF	1	
D133	3026931	Hose – Pipe to pipe	1	
D134	9784101	Clip – Clamping hose	2	
D135	3062753	Pipe – From hose to master cylinder connector	1	
	3062755	Pipe – From reservoir to master cylinder connector	1	L.H.D.
D136	73027630	Connector – Banjo type – Pipe to master cylinder inlet	1	
D137	1800018	Bolt – Hollow – Banjo connector	1	
D138	9077024	Gasket	2	
	9176016	Clip – Supporting pipe	A/R	} UNC thread
	19604041	Screw – Securing clip	1	
	5220723	Washer – Spring	1	
	9067097	Washer – Plain	1	
		Master cylinder – Fixings and details		See Page LA4
		Brake pedal		See Section D
D139	1800612	Connector – Banjo type – Master cylinder outlet pipe	1	
D140	1800018	Bolt – Hollow – Banjo connector	1	
D141	9077024	Gasket	2	
	3063394	Pipe – From master cylinder to 4-way connector – R.H.D. ...	1	} 2523 and 3023 models without Servo brakes
	3079421	Pipe – From master cylinder to 4-way connector – L.H.D. ..	1	
D142	3062757	Pipe – From master cylinder to servo unit – R.H.D.	1	} Models with Servo brakes
	3079423	Pipe – From master cylinder to servo unit – L.H.D.	1	
	P.60919	Clip – Single blade type – Supporting pipe	A/R	
		Servo unit		See Page LA5
D143	3062759	Pipe – From servo unit to 4-way connector	1	} Models with Servo brakes
	9176013	Clip – With .34" fixing hole – Supporting pipe	A/R	

BRAKES AND CONTROLS

Plate Ref.	Part Number	DESCRIPTION	No. per Veh.	REMARKS
BRAKE CONTROLS – HYDRAULIC SYSTEM				
ALL MODELS				
D144	3018292	Connector – 4-way	1	
	19104142	Bolt – Securing connector to frame	1	
	9660163	Washer – Spring	1	
	9510041	Nut	1	
		Switch – Brake stop light		See Section Q
D145	3050279	Pipe – From 4-way to front 3-way connector	1	
D146	3018293	Connector – 3-way	1	
	19104114	Bolt – Securing connector to frame	1	
	9660163	Washer – Spring	1	
	9510041	Nut	1	
D147	3026631	Pipe – From 3-way connector to R.H. front hose	1	
D148	3078958	Pipe – From 3-way connector to L.H. front hose	1	
D149	9151501	Adaptor – Pipe to hose	2	
D150	75061033	Gasket	2	
D151	W.12102	Hose – From pipe adaptor to wheel cylinder connector	2	
	P.92932	Locknut – Hose fixing	2	
	9664283	Washer – Shakeproof	2	
D152	9159306	Connector – Banjo type – Hose to front wheel cylinder	2	
	9077024	Gasket	2	
D153	1800018	Bolt – Hollow – Banjo connector	2	
	9077024	Gasket	2	
D154	3050287	Pipe – From 4-way connector to rear hose	1	123" wheelbase
D154	3058635	Pipe – From 4-way connector to rear hose	1	135" wheelbase
D154	3062761	Pipe – From 4-way connector to rear hose	1	155" wheelbase
	P.60919	Clip – Single blade type – Supporting pipe	A/R	
	19052045	Screw – Securing clip to frame	A/R	
	9096073	Washer – Plain	A/R	
	9660123	Washer – Spring	A/R	
	9600521	Nut	A/R	
D155	W.12102	Hose – From pipe to 3-way connector on rear axle	1	
	9077024	Gasket	1	
D156	P.92932	Locknut – Hose fixing to bracket	1	
	9664283	Washer – Shakeproof	1	
D157	3018295	Bracket – Supporting rear hose	1	
	19505062	Screw – Securing bracket to frame	2	
	9660203	Washer – Spring	2	
	5221350	Nut	2	
D158	P.92928	Connector – 3-way – From rear hose to pipes on axle	1	
	19005055	Screw – Securing connector to axle case	1	
	9660203	Washer – Spring	1	
D159	3059695	Pipe – From 3-way connector to R.H. rear wheel cylinder	1	
D160	3059694	Pipe – From 3-way connector to L.H. rear wheel cylinder	1	
	9176010	Clip – Pipe supporting on axle case	2	
	9774066	Screw – Clip securing	2	

BRAKES AND CONTROLS

Plate Ref.	Part Number	DESCRIPTION	No. per Veh.	REMARKS
BRAKE CONTROLS - VACUUM SYSTEM				
	5034153	Connector - Elbow - Pipe to induction manifold	1	} KCH
	3059348	Pipe - Connector elbow to hose	1	
	3018283	Hose - Pipe to pipe	1	
	9782101	Clip - Clamping hose to pipe	2	
	3060814	Pipe - Hose to hose - Vacuum	1	
	9178652	Clip - Support for pipe to adjacent pipe	1	
	3018283	Hose - Pipe to vacuum tank non-return valve	1	
	9782101	Clip - Clamping hose to pipe	2	
	W.13174	Clip - Pipe supporting	A/R	
	19503032	Screw - Securing clip	A/R	
	9660123	Washer - Spring	A/R	
	9510031	Nut	A/R	
D161	3050297	Pipe - With banjo connector - Induction manifold to hose ..	1	
D162	3019560	Bolt - Hollow - Banjo connector	1	
D163	9077040	Gasket	2	
D164	3018281	Hose - Pipe to pipe	1	
	9782101	Clip - Clamping hose to pipe	2	
D165	3060814	Pipe - Hose to hose - Vacuum	1	
	9178652	Clip - Support for pipe to adjacent pipe	1	
D166	3018283	Hose - Pipe to vacuum tank non-return valve	1	
D167	9782101	Clip - Clamping hose to pipe	2	
	9176032	Clip - .28" (7 mm.) screw hole - Pipe supporting	1	
	9176031	Clip - .4" (10 mm.) screw hole - Pipe supporting	1	
	19506062	Screw - Securing clip	1	
	9660243	Washer - Spring	1	
	W.13174	Clip - Pipe supporting	A/R	
	19052046	Screw - Securing clip	A/R	
	9660123	Washer - Spring	A/R	
	9600522	Nut	A/R	
	3059263	Pipe - Exhauster to hose	1	} KCV
	3018283	Hose - Pipe to pipe	1	
	9782101	Clip - Clamping hose to pipe	2	
	3060814	Pipe - Hose to hose - Vacuum	1	
	9178652	Clip - Support for pipe to adjacent pipe	1	
	3018283	Hose - Pipe to vacuum tank non-return valve	1	
	9782101	Clip - Clamping hose to pipe	2	
	W.13174	Clip - Pipe supporting	A/R	
	19503032	Screw - Securing clip	A/R	
	9660123	Washer - Spring	A/R	
	9510031	Nut	A/R	
D168	5034153	Connector - Elbow - Pipe to exhauster	1	} KCB
D169	3060154	Pipe - Connector elbow to hose - Vacuum	1	
	73037996	Bracket - Support for clip to engine	1	
	9178563	Clip - Push in spring type - Support for pipe	1	
	3018281	Hose - Pipe to pipe 2523, 3023	1	
D170	9166034	Hose - Pipe to pipe 4023, 4035	1	
	9782101	Clip - Clamping hose to pipe	2	
D171	3060814	Pipe - Hose to hose - Vacuum	1	
	9178652	Clip - Support for pipe to adjacent pipe	1	
	3018283	Hose - Pipe to vacuum tank non-return valve	1	
	9782101	Clip - Clamping hose to pipe	2	

BRAKES AND CONTROLS

Plate Ref.	Part Number	DESCRIPTION	No. per Veh.	REMARKS
BRAKE CONTROLS - VACUUM SYSTEM				
	9176031	Clip - Pipe supporting	1	} KCB
	19506062	Screw - Securing clip	1	
	9660243	Washer - Spring	1	
	W.13174	Clip - Pipe supporting	A/R	
	19052046	Screw - Securing clip	A/R	
	9660123	Washer - Spring	A/R	
	9600522	Nut	A/R	
	5034153	Connector - Elbow - Pipe to exhauster	1	} KCF
	3058962	Pipe - Connector elbow to hose - Vacuum	1	
	73037996	Bracket - Support for clip to engine	1	
	9178563	Clip - Push in spring type - Support for pipe	1	
	3018281	Hose - Pipe to pipe	1	
	9782101	Clip - Clamping hose to pipe	2	
	3060814	Pipe - Hose to hose - Vacuum	1	
	9178652	Clip - Support for pipe to adjacent pipe	1	
	3018283	Hose - Pipe to vacuum tank non-return valve	1	
	9782101	Clip - Clamping hose to pipe	2	
	W.13174	Clip - Pipe supporting	A/R	
	19052046	Screw - Securing clip	A/R	
	9660123	Washer - Spring	A/R	
	9600522	Nut	A/R	
D172	1800539	Valve - Non-return - With banjo connector - Hose to tank	1	
D173	3019561	Connector - Banjo type - Servo pipe to tank	1	
D174	3025792	Bolt - Hollow - Banjo connector and valve	1	
D175	9077040	Gasket	3	
D176	3050302	Tank - Vacuum reservoir	1	
	19052045	Screw - Securing tank to support bracket	4	
	9660123	Washer - Spring	4	
	9600521	Nut	4	
D177	3050301	Bracket - Supporting vacuum tank to frame	2	
	19505062	Screw - Securing bracket to frame	4	
	9660203	Washer - Spring	4	
	5221350	Nut	4	
D178	3060815	Pipe - Vacuum tank banjo connector to servo hose	1	
D179	3025640	Hose - Pipe to servo unit	1	
D180	9782101	Clip - Clamping hose to pipe	2	
D181	3025498	Pipe - Vacuum tank to tee connector	1	
D182	9152101	Connector - Straight union - Pipe to hollow banjo bolt	1	
	9078019	Washer - Fibre	1	

BRAKES AND CONTROLS

Plate Ref.	Part Number	DESCRIPTION	No. per Veh.	REMARKS
BRAKE CONTROLS – VACUUM SYSTEM				
D183	1801546	Connector – Tee	1	See Section Q
		Switch – Vacuum operated		
	19503082	Screw – Securing tee connector to bracket	1	
	9660123	Washer – Spring	1	
D184	9510031	Nut	1	
	3025492	Bracket – Supporting tee connector	1	
	39033120	Screw – Securing bracket to frame	2	
	9660123	Washer – Spring	2	
D185	9600522	Nut	2	
	3025495	Pipe – Tee connector to vacuum gauge	1	
	3026257	Pipe – Tee connector to vacuum gauge	1	
	9178544	Clip – Pipe supporting	A/R	
		Gauge – Vacuum		
		Washer – Vacuum gauge		
		Buzzer – Warning – Insufficient vacuum		

BRAKES AND CONTROLS

Plate Ref.	Part Number	DESCRIPTION	No. per Veh.	REMARKS
BRAKE CONTROLS – HANDBRAKE SYSTEM				
D190	3050677	Lever assembly – Handbrake control	1	Not supplied separately
		Lever	1	
D191	5039437	Trigger – Pawl release	1	
D192	5039435	Pin – Trigger pivot	1	
D193	9075071	Washer – Trigger spacing	2	
D194	9206010	Clip – Pivot pin retaining	1	
D195	9086043	Washer – Spring – Pivot pin	1	
D196	5039436	Rod – Pawl releasing	1	
D197	5039432	Nut – Rod and spring retaining	1	
D198	5039434	Spring – Pawl engaging	1	
D199	9067464	Washer – Plain – Spring retaining	2	
D200	5039433	Pawl	1	
D201	5040408	Bush – Fibre – Lever serrated	1	
D202	5039431	Cover – Lever	1	
D203	69304140	Rivet – Fixing cover	2	
D204	3018110	Shaft – Relay	1	
D205	9572083	Nut – Self-locking – Retaining lever to shaft	1	
D206	9067059	Washer – Plain	1	
D207	3018118	Distance piece – Spherical bush	1	
D208	3018119	Bush – Spherical	1	
D209	3018120	Ring – Abutment for spherical bush	1	
D210	3018121	Cap – Retaining spherical bush	1	
	19503062	Screw – Securing cap to bracket	2	
	9660123	Washer – Spring	2	
	9510031	Nut	2	
D211	3018108	Ratchet – Handbrake lever	1	
D212	3018109	Distance piece – Ratchet plate	1	
D213	3051014	Cover – Lever pivot and ratchet	1	
D214	39313081	Screw – Panel to cover	2	
	9663123	Washer – Shakeproof	2	
D215	19105161	Bolt – Cover and ratchet plate to bracket	2	
	9067022	Washer – Plain	2	
	9660203	Washer – Spring	2	
D216	3050080	Bracket – Upper support for relay shaft	1	R.H.D.
	3050081	Bracket – Upper support for relay shaft	1	L.H.D.
D217	3018114	Bracket – With bush – Lower support for relay shaft	1	R.H.D.
	3018115	Bracket – With bush – Lower support for relay shaft	1	L.H.D.
D218	3018117	‘U’ bolt – Support brackets to steering column	2	
	9660203	Washer – Spring	4	
D219	5221350	Nut	4	
D220	3018212	Rod – From relay shaft lever to relay lever	1	
	3020836	Fork – Offset type – Rod to shaft lever	1	R.H.D.
D221	P.52076	Fork – Rod to relay	1	R.H.D.
	P.52076	Fork – Rod to shaft lever and relay	2	L.H.D.
D222	W.13025	Nut – Square – Fork to rod	2	
D223	9520060	Locknut – Rod adjustment	2	
D224	W.13603	Pin – Fork to lever	2	
D225	9540051	Nut – Slotted	2	
	9830507	Pin – Split	2	

BRAKES AND CONTROLS

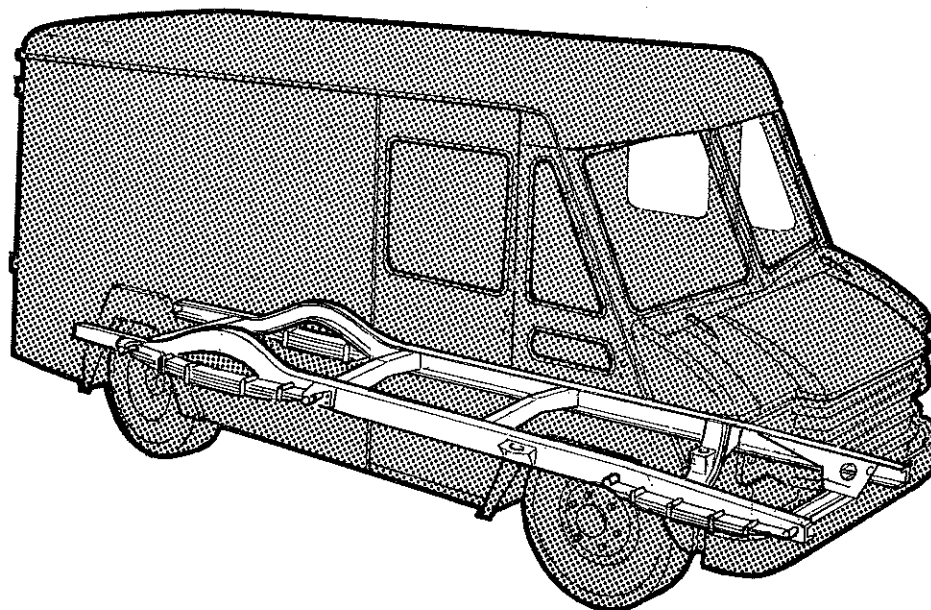
Plate Ref.	Part Number	DESCRIPTION	No. per Veh.	REMARKS
BRAKE CONTROLS – HANDBRAKE SYSTEM				
D226	3018133	Bracket – With pivot pin – Relay lever support	1	R.H.D.
	3018134	Bracket – With pivot pin – Relay lever support	1	L.H.D.
	19505062	Screw – Securing bracket to frame	4	
	9660203	Washer – Spring	4	
	5221350	Nut	4	
D227	3027021	Lever – With bush – Relay for rods	1	R.H.D.
	3027022	Lever – With bush – Relay for rods	1	L.H.D.
D228	P.60434	Bush – Relay lever	1	
D229	9086015	Washer – Spring	1	
D230	9067076	Washer – Plain	1	
	9830810	Pin – Split – Retaining lever to support bracket	1	
D231	3025413	Rod – From relay lever to cable	1	123" wheelbase
	3025412	Rod – From relay lever to cable	1	135" wheelbase
	3021153	Rod – From relay lever to cable	1	155" wheelbase
D232	P.52076	Fork – Rod to relay lever	1	
D233	W.13025	Nut – Square – Fork to rod	1	
D234	9520060	Locknut – Rod adjustment	1	
D235	W.13603	Pin – Fork to lever	1	
D236	9540051	Nut – Slotted	1	
	9830507	Pin – Split	1	
D237	W.13030	Connector – Rod to cable	1	
D238	9520060	Locknut – Connector adjustment	2	
D239	P.20687	Plate – Stop light switch spring attachment	1	
D240	9520060	Locknut – Plate to rod	2	
D241	1801410	Spring – Operating stop light switch plunger	1	
		Switch – Stop light		See Section Q
D242	3026951	Gasket – Switch to mounting bracket	1	
	39033101	Screw – Securing switch to bracket	2	
	9068009	Washer – Plain	2	
	9660123	Washer – Spring	2	
	9600522	Nut	2	
	19505062	Screw – Securing bracket to frame	2	
	9660203	Washer – Spring	2	
	5221350	Nut	2	
D243	3050086	Bracket – Support for relay rod steady	1	
	19505062	Screw – Securing bracket to frame	2	
	9660203	Washer – Spring	2	
	5221350	Nut	2	
D244	W.13154	Clip – Steady bush	1	
	19504052	Screw – Clip to bracket	2	
	9660163	Washer – Spring	2	
	9510041	Nut	2	
D245	P.30047	Bush – Rod steady	1	
D246	W.13164	Cable assembly – Handbrake	1	
D247	9217025	Greaser – Cable	1	

BRAKES AND CONTROLS

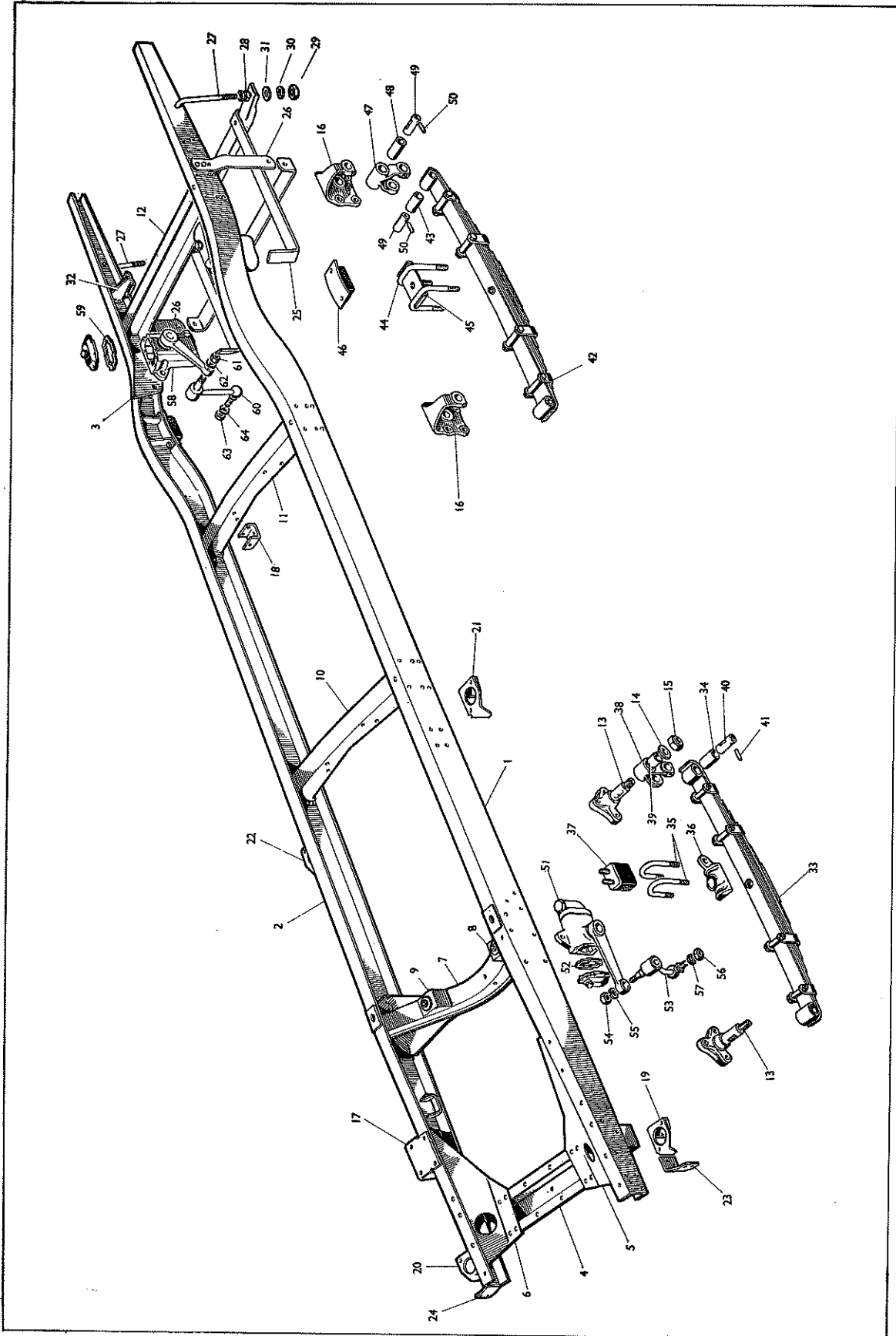
Plate Ref.	Part Number	DESCRIPTION	No. per Veh.	REMARKS	
BRAKE CONTROLS – HANDBRAKE SYSTEM					
D250	W.13596	Fork – Cable to equaliser lever	1	KCH – 25 KCH, KCV – 30	
D252	9520060	Locknut – Cable adjustment	1		
D253	W.13603	Pin – Fork to lever	1		
D254	9540051	Nut – Slotted	1		
	9830507	Pin – Split	1		
D255	3018148	Bracket – Supporting equaliser links	1		
D256	3026776	Bush – Link pin	2		
	19506062	Screw – Securing bracket to axle case	2		
	9660243	Washer – Spring	2		
	W.15083	Lever – Operating brake rods on rear axle	1		
	3026776	Bush	2		
	P.60443	Link – Equalising for brake lever	2		
	W.13029	Pin – Link	2		
	3017774	Seal – Link pins	2		
	9540081	Nut – Slotted – Securing lower link to pins	4		
	9067059	Washer – Plain	4		
	9830610	Pin – Split	4		
	9217027	Greaser – Equaliser	1		
	9078019	Washer – Fibre	2		
	3017798	Rod – Equaliser lever to L.H. wheel cylinder – R.H.D.	1		
	3017797	Rod – Equaliser lever to R.H. wheel cylinder – R.H.D.	1		
	3017797	Rod – Equaliser lever to L.H. wheel cylinder – L.H.D.	1		
	3017798	Rod – Equaliser lever to R.H. wheel cylinder – L.H.D.	1		
	P.52076	Fork – Rod to equaliser lever	2		
	W.13025	Nut – Square – Fork to rod	2		
	W.13603	Pin – Fork to lever	2		
	9540051	Nut – Slotted	2		
	9830508	Pin – Split	2		
	P.96887	Fork – Rod to wheel cylinder link	2		
	W.13025	Nut – Square – Fork to rod	2		
	W.16043	Pin – Fork to link	2		
	9540041	Nut – Slotted	2		
	9830305	Pin – Split	2		
	9520060	Locknut – Rod adjustment	8		
	9086005	Washer – Spring – Fork pin	2		
	9067241	Washer – Plain	1		
D257	3026748	Lever assembly – Brake equaliser	1		
D258	3026776	Bush	2		
D259	3025131	Link – Lever assembly to support bracket	2		
D260	W.13029	Pin – Equaliser links	2		
D261	3017774	Seal – Link pin	2		
	9068022	Washer – Plain	4		
D262	9540081	Nut – Slotted	4		
	9830610	Pin – Split	4		
	9217027	Greaser	1		
	9078019	Washer – Fibre	2		
D263	W.13596	Fork – Equaliser lever to cable	2		
D264	9520061	Locknut – Cable adjustment	2		
D265	3024821	Pin – Fork to lever	2		
D266	9540051	Nut – Slotted	2		
	9830507	Pin – Split	2		
D267	3026749	Cable – Extension – Equaliser lever to wheel cylinder cable	1		
D268	W.13030	Connector – Extension cable to wheel cylinder cable	1		
D269	9520061	Locknut – Cable adjustment	2		
KCB – 25 KCL, KCB – 30 KCH, KCV, KCB – 40 KCL, KCF – 40/60					

SECTION M

CHASSIS FRAME AND SUSPENSION



CHASSIS FRAME and SUSPENSION



SECTION M

CHASSIS FRAME and SUSPENSION

Plate Ref.	Part Number	DESCRIPTION	No. per Veh.	REMARKS
CHASSIS FRAME				
	3078355	Frame assembly	1	123" (312.42 cm) W.B.
	3078354	Frame assembly	1	135" (342.9 cm) W.B.
	3078357	Frame assembly Petrol Engine	1	155" (393.7 cm) W.B.
	3078356	Frame assembly Diesel Engine	1	155" (393.7 cm) W.B.
1		Sidemember – R.H.		} Not supplied separately
2		Sidemember – L.H.		
3		Plate – Rear shock absorber mounting		
4	3050304	Crossmember – Front end	1	All models
5		Gusset		} Not supplied separately
6		Gusset		
	19507071	Screw – Gusset	2	
	9660283	Washer – Spring	2	
	5220704	Nut	2	
7	3050314	Crossmember – Engine rear support	1	123" W.B. } See Note 1
	73063774	Crossmember – Engine rear support	1	135", 155" W.B. } – Page M1
	73063773	Crossmember – Engine rear support	1	123" W.B. } See Note 2 –
	73063774	Crossmember – Engine rear support	1	135", 155" W.B. } Page M1
8		Support – Engine		} Not supplied separately
9		Support – Engine		
10	3050257	Crossmember – Prop. shaft support	1	123" W.B. } See Note 1 –
	W.45209	Crossmember – Prop. shaft support	1	135" W.B. } Page M1
	W.45209	Crossmember – Prop. shaft support Petrol Engine	1	155" W.B. }
	3057941	Crossmember – Prop. shaft support Diesel Engine	1	155" W.B. }
	3062345	Crossmember – Prop. shaft support	1	123" W.B. } See Note 2 –
	3062352	Crossmember – Prop. shaft support	1	135", 155" W.B. } Page M1
11	3050256	Crossmember – Frame centre	1	155" W.B.
	3050256	Crossmember – Rear road spring front bracket	1	All models
12	3050252	Crossmember – Rear road spring rear bracket	1	123" W.B.
	3052086	Crossmember – Rear road spring rear bracket	1	135", 155" W.B.
<p>NOTE 1. Applicable to vehicles built UP TO chassis No.:</p> <p style="margin-left: 40px;">KC 3023 – 018981</p> <p style="margin-left: 40px;">KC 4023 – 018996</p> <p style="margin-left: 40px;">KC 4035 – 018996</p> <p style="margin-left: 40px;">KA 6035 – To discontinuance</p> <p style="margin-left: 40px;">KC 6055 – 019039</p>				
<p>NOTE 2. Applicable to vehicles built FROM chassis No.:</p> <p style="margin-left: 40px;">KC 2523 – 1st Production</p> <p style="margin-left: 40px;">KC 3023 – 018982</p> <p style="margin-left: 40px;">KC 4023 – 018997</p> <p style="margin-left: 40px;">KC 4035 – 018997</p> <p style="margin-left: 40px;">KC 4055 – 1st Production</p> <p style="margin-left: 40px;">KC 6023 – 1st Production</p> <p style="margin-left: 40px;">KC 6035 – 1st Production</p> <p style="margin-left: 40px;">KC 6055 – 019040</p>				

CHASSIS FRAME and SUSPENSION

Plate Ref.	Part Number	DESCRIPTION	No. per Veh.	REMARKS
FITTINGS – CHASSIS FRAME				
13	3019769	Bracket – Front road springs – Front eye and rear shackle ..	4	} Please check thread – See Note 1 – Page M4
	9217013	Greaser – Spring brackets – With UNF. thread	4	
	9217025	Greaser – Spring brackets – With BSP. thread	4	
	3017745	Bolt – 1.35" (34.3 mm.) long – Securing bracket to frame ..	6	
	W.15541	Bolt – 1.15" (29.2 mm.) long – Securing bracket to frame ..	6	
	9660243	Washer – Spring	12	
	5221351	Nut	12	
15	9552104	Nut – Self-locking – Securing road springs to brackets ..	4	
14	3018171	Washer – Plain	4	
16	3059020	Bracket – Rear road springs – Front eye and rear shackle ..	4	} See Note 2 – Page M4
	W.15449	Bolt – Securing bracket to frame	16	
	9660243	Washer – Spring	16	
	5221351	Nut	16	
17	3049519	Bracket – Mounting for steering box	1	
18	3018328	Bracket – Support for handbrake cable front abutment ..	1	} See Note 1 – Page M1 See Note 2 – Page M1
	3063327	Bracket – Support for handbrake cable front abutment ..	1	
	19504052	Bolt – Securing bracket to frame	3	
	9660163	Washer – Spring	3	
	9510041	Nut	3	
19	3049520	Bracket – Mounting for front end of body or cab – L.H. ..	1	} Van body
20	3049521	Bracket – Mounting for front end of body or cab – R.H. ..	1	
	3017786	Bolt – Securing bracket to frame	8	
	9067038	Washer – Plain	8	
	9660243	Washer – Spring	8	
	5221351	Nut	8	
21	3049520	Bracket – Mounting for rear end of cab – L.H.	1	}
22	3049521	Bracket – Mounting for rear end of cab – R.H.	1	
	3017786	Bolt – Securing bracket to frame	8	
	9660243	Washer – Spring	8	
	5221351	Nut	8	
		N.B. Rivets previously specified for securing brackets to frame are no longer available. Use Bolts, Washers and Nuts as shown above.		
23	3053038	Bracket – Support for front bumper – L.H.	1	} KAH, KAD, KAV, KCH, KCV
24	3053039	Bracket – Support for front bumper – R.H.	1	
	19506082	Bolt – 1" (25.4 mm.) long – Securing bracket to frame ..	4	
	19506071	Bolt – .875" (22.2 mm.) long	2	
	9660243	Washer – Spring	6	
	5221351	Nut	6	

CHASSIS FRAME and SUSPENSION

Plate Ref.	Part Number	DESCRIPTION	No. per Veh.	REMARKS	
FITTINGS – CHASSIS FRAME					
	3050319	Bracket – Support for front bumper – L.H.	1	} KAL, KAB, KAF, KCL, KCB, KCF	
	3050320	Bracket – Support for front bumper – R.H.	1		
	3050861	Stay – L.H.	1		
	3050862	Stay – R.H.	1		
	19506102	Bolt – 1.25" (31.8 mm.) long – Securing bracket to frame	4		
	19506082	Bolt – 1" (25.4 mm.) long – Securing stay	4		
	9660243	Washer – Spring	8		
	5221351	Nut	8		
		Bumper – Front		See Section T	
25	3050658	Carrier – Spare wheel	1	See Note 3 – Page M4	
26	3018582	Support – Front – Spare wheel carrier	2	} 3 Hole fixing 2 Hole and Slot fixing	
	73064780	Support – Front – Spare wheel carrier	2		
	5220692	Screw – Securing carrier support to frame	4		
	9660203	Washer – Spring	4		
	5221350	Nut	4		
	3020200	Bolt – Fixing and pivot for spare wheel carrier to support	2		
	9067106	Washer – Plain	2		
	9540060	Nut – Slotted	2		
	9830508	Pin – Split	2		
	27	3018585	Bolt – Special – Tie for rear of spare wheel carrier		2
28	5220706	Locknut	4		
29	9510080	Nut – Securing rear end of carrier	2		
30	9660323	Washer – Spring	2		
31	9067059	Washer – Plain	2		
	9830809	Pin – Split	4		
32	73064779	Pad – Abutment for spare wheel tyre	2	} 2 Slots fixing	
	19505082	Screw – Securing pad to frame	4		
	9660203	Washer – Spring	4		
	5221350	Nut	4		
	P.21601	Plate – Front – Vehicle registration number	1	} Used when spare wheel carrier is fitted	
	19504052	Screw – Securing plate to front bumper	2		
	9660163	Washer – Spring	2		
	9510041	Nut	2		
	P21601	Plate – Rear – Vehicle registration number	1		
	5221352	Screw – Securing plate to panel	2		
	9660163	Washer – Spring	2		
	9510041	Nut	2		
	3020917	Bracket – Lamp and rear registration plate	1		} Required when a "Recessed" Rear Step is fitted
	39314081	Screw – Securing plate to bracket	2		
	9660163	Washer – Spring	2		
	9510041	Nut	2		
	19504102	Bolt – Securing bracket to roof panel	2		
	9122188	Washer – Rubber	2		
	9660163	Washer – Spring	2		
	9510041	Nut	2		

CHASSIS FRAME and SUSPENSION

Plate Ref.	Part number	DESCRIPTION	No. per Veh.	REMARKS
#		<p style="text-align: center;">NOTES</p> <p>NOTE 1. Front spring brackets fitted to Early and Late models, respectively take Greasers: 9217013—With UNF. thread—.25" (6.35 mm.) O.D. 9217025—With BSP. thread—.383" (9.7 mm.) O.D.</p> <p>NOTE 2. Vehicles built UP TO chassis numbers: KA 009516 and CKD No. 700446. The Spring Brackets originally specified are no longer available and have been superseded by Bracket 3059020. When fitting the new bracket in place of the original it is necessary to order and fit the items covered by NOTE 2, Page M7 as required. Please note that rivets are no longer available—use fixings shown on Page M2.</p> <p>NOTE 3. Spare Wheel Carrier 3050658 and associated parts are not fitted to vehicles which have a "Recessed" Rear Step.</p>		

CHASSIS FRAME and SUSPENSION

Plate Ref.	Part Number	DESCRIPTION	No. per Veh.	REMARKS
SUSPENSION – FRONT ROAD SPRING and FIXINGS				
33	3050028	Spring – Front – 5 leaf assembly	2	} 25 and 30. 40 (Standard)
	5039109	Leaf – No. 1 with bushes	2	
34	3017671	Bush	4	
	5039110	Leaf – No. 2	2	
	19104221	Bolt – Spring clips	8	
	9510041	Nut	8	
	5039167	Dowel bolt – With nut – Spring leaves	2	
	3052763	Spring – Front – 11 leaf assembly	2	} KAL, KAB 6035
	5040415	Leaf – No. 1 with bushes	2	
	3017671	Bush	4	
	5039118	Leaf – No. 2	2	
	19104221	Bolt – Spring clips	8	
	9510041	Nut	8	
	5040371	Dowel bolt – With nut – Spring leaves	2	
	3058122	Spring – Front – 11 leaf assembly	2	} 40 (Optional) KA- 6055, KC- 60
	5057968	Leaf – No. 1 with bushes	2	
	3017671	Bush	4	
	5057969	Leaf – No. 2	2	
	19104221	Bolt – Spring clips	8	
	9510041	Nut	8	
	5040371	Dowel bolt – With nut – Spring leaves	2	
35	W.14802	'U' bolt – Securing spring to front axle bed	4	} 25, 30, 40 (Standard). 40 (Optional). 60.
	W.13979	'U' bolt – Front – Securing spring to front axle bed	2	
	W.13980	'U' bolt – Rear – Securing spring to front axle bed	2	
36	3050097	Pad – 'U' bolt seating on No. 1 leaf	2	
	9551093	Nut	8	
37	3017673	Buffer – Bump for front axle	2	
	79510051	Nut – Securing buffer to frame	4	
	9664203	Washer – Shakeproof	4	
	3019767	Pin – Spring rear eye to shackle	2	} Note 1. Page M7
	3017679	Cotter – Spring tension type – Locking pin to shackle	2	
	5200739	Kit – Front spring rear shackle	2	} Note 1 – Page M7
38	3024423	Shackle – Bushed assembly	2	
39	3017671	Bush	2	} Note 2 – Page M7
40	3019767	Pin – Spring rear eye to shackle	2	
41	3026503	Cotter – Locking pin to shackle	2	
	9553043	Nut	2	
	9217025	Greaser – Spring shackle	2	

CHASSIS FRAME and SUSPENSION

Plate Ref.	Part Number	DESCRIPTION	No. per Veh.	REMARKS
		SUSPENSION – REAR ROAD SPRING and FIXINGS		
***	73064306	Spring – Rear – 8 leaf assembly	2	} 25
	75062168	Leaf – No. 1 with bushes	2	
	3017680	Bush	4	
	19106271	Bolt – Spring clips	8	
	5221351	Nut	8	
	5039173	Dowel bolt – With nut – Spring leaves	2	
42	3050030	Spring – Rear – 9 leaf assembly	2	} 30 Except Ambulance
	5039129	Leaf – No. 1 with bushes	2	
43	3017680	Bush	4	
	19106271	Bolt – Spring clips	8	
***	5221351	Nut	8	
	5039173	Dowel bolt – With nut – Spring leaves	2	
***	3052620	Spring – Rear – 7 leaf assembly	2	} 30 Ambulance
	5040610	Leaf – No. 1 with bushes	2	
	3017680	Bush	4	
***	19106271	Bolt – Spring clips	8	
	5221351	Nut	8	
	5039173	Dowel bolt – With nut – Spring leaves	2	
***	3050031	Spring – Rear – 10 leaf assembly	2	} 40 (Standard)
	5039138	Leaf – No. 1 with bushes	2	
	3017680	Bush	4	
	5039139	Leaf – No. 2	2	
***	19106271	Bolt – Spring clips	8	
	5221351	Nut	8	
	5039177	Dowel bolt – With nut – Spring leaves	2	
***	3052764	Spring – Rear – 13 leaf assembly	2	} 40 (Optional) and 60.
	5040429	Leaf – No. 1 with bushes	2	
	3017680	Bush	4	
	5039149	Leaf – No. 2	2	
***	19106271	Bolt – Spring clips	8	
	5221351	Nut	8	
	5039180	Dowel bolt – With nut – Spring leaves	2	
44	3018161	'U' bolt – Securing spring to rear axle	4	} 25 and 30 Except Ambulance 30 Ambulance 40 (Standard) 40 (Optional) and 60
	3020074	'U' bolt – Securing spring to rear axle	4	
	3018162	'U' bolt – Securing spring to rear axle	4	
	3018163	'U' bolt – Securing spring to rear axle	4	
45	3018160	Plate – 'U' bolt seating on No. 1 leaf	2	
	9551093	Nut	8	
46	3018595	Buffer – Bump for rear axle	2	
	19505062	Screw – Securing buffer to frame	4	
	79660203	Washer – Spring	4	
	79510051	Nut	4	
	W.12857	Pin – Spring eyes and shackles to brackets	6	
	3017679	Cotter – Spring tension type – Locking pin to shackle/bracket	6	
	3024391	Pin – Spring front eye to bracket	2	} Note 2 – Page M7
	W.12861	Cotter – Locking pin to bracket	2	
	9553043	Nut	2	

CHASSIS FRAME and SUSPENSION

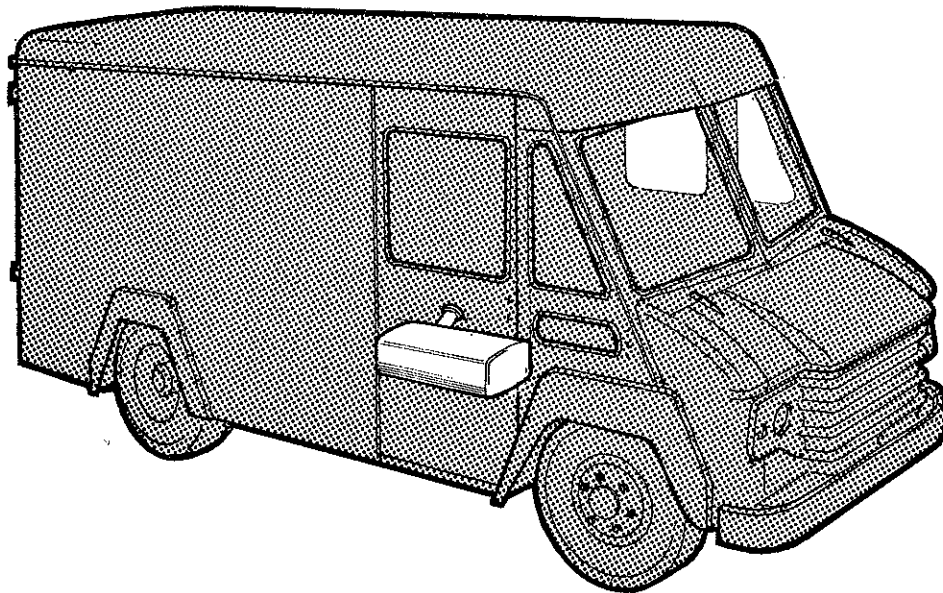
Plate Ref.	Part Number	DESCRIPTION	No. per Veh.	REMARKS
SUSPENSION – REAR ROAD SPRINGS and FIXINGS				
– Continued				
	5200740	Kit – Rear spring rear eye pin and shackle	2	Note 1 – Page M7 Note 2. Page M7
47	3059043	Shackle – Bushed assembly	2	
48	3017680	Bush	2	
49	3024391	Pin – Shackle to bracket	2	
	W.12857	Pin – Spring rear eye to shackle	2	
50	W.12861	Cotter – Locking pins	4	
	9553043	Nut	4	
	9217025	Greaser	6	
<p>NOTE 1. Applicable to vehicles built UP TO chassis number : KA – 009516 and CKD No. 700446. These items are available for the above vehicles fitted with original Shackle Assy. (3017672) Front, (3050135) Rear and Rear Bracket (3050136). Identify by the 'cotter' hole size .313" (7.9 mm) dia. Kits 5200739 and 5200740 which supersede the original Shackle Assy. will be discontinued in the near future and it will then be necessary to order items separately as required.</p> <p>NOTE 2. Applicable to vehicles built FROM chassis number : KA – 009517 and CKD No. 700447. Identify Shackle Assy. by the 'cotter' hole size .375" (9.5 mm) dia. Pin 3024391 is 4.78" (12.16 cm) long. Pin W.12857 is 4.05" (10.28 cm) long.</p>				

CHASSIS FRAME and SUSPENSION

Plate Ref.	Part Number	DESCRIPTION	No. per Veh.	REMARKS
SUSPENSION – FRONT and REAR SHOCK ABSORBERS				
51	3050166	Shock absorber – Front L.H.	1	All models
	3050167	Shock absorber – Front R.H.	1	
52	K.23362	Gasket – Lid sealing	2	
53	5039182	Link – Shock absorber arm	2	
54	5220704	Nut – Securing link pin to arm	2	
55	9660283	Washer – Spring	2	
56	9510080	Nut – Securing link pin to spring pad	2	
57	9660323	Washer – Spring	2	
	W.16213	Bolt – Securing shock absorber to frame	4	
	9552074	Nut – Self-locking	4	
58	3050122	Shock absorber – Rear L.H.	1	2523, 3023, 4023, 4035
	3050123	Shock absorber – Rear R.H.	1	
59	K.23362	Gasket – Lid sealing	2	
60	5039306	Link – Shock absorber arm	2	
61	5220704	Nut – Securing link pin to arm	2	
62	9660283	Washer – Spring	2	
63	9510090	Nut – Securing link pin to axle	2	
64	9660362	Washer – Spring	2	
	W.14128	Bolt – Securing shock absorber to frame	4	
	9660283	Washer – Spring	4	
	5220704	Nut	4	
	3050124	Shock absorber – Rear L.H.	1	6035, 6055
	3050125	Shock absorber – Rear R.H.	1	
	5039184	Link – Shock absorber arm	2	
	9510101	Nut – Securing link pin to arm	2	
	9660403	Washer – Spring	2	
	9510090	Nut – Securing link pin to axle	2	
	9660362	Washer – Spring	2	
	9551093	Nut – Self-locking	2	
	3018170	Bolt – Securing shock absorber to frame	4	
	9660362	Washer – Spring	4	
	9510090	Nut	4	
				} Alternative to 9551093 Alternative to 9510090

SECTION N

FUEL SYSTEM



FUEL SYSTEM

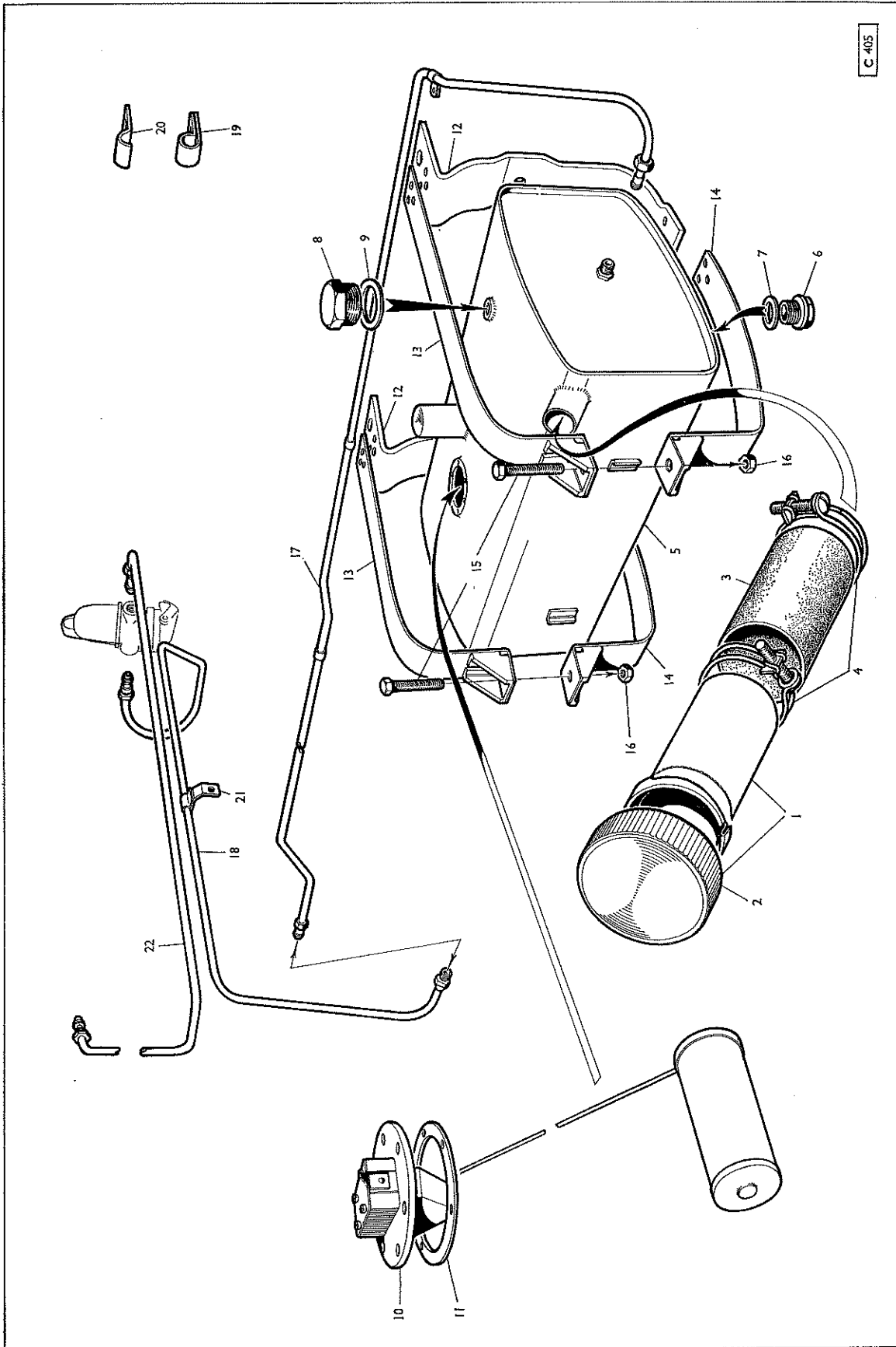


PLATE A - SECTION N

FUEL SYSTEM

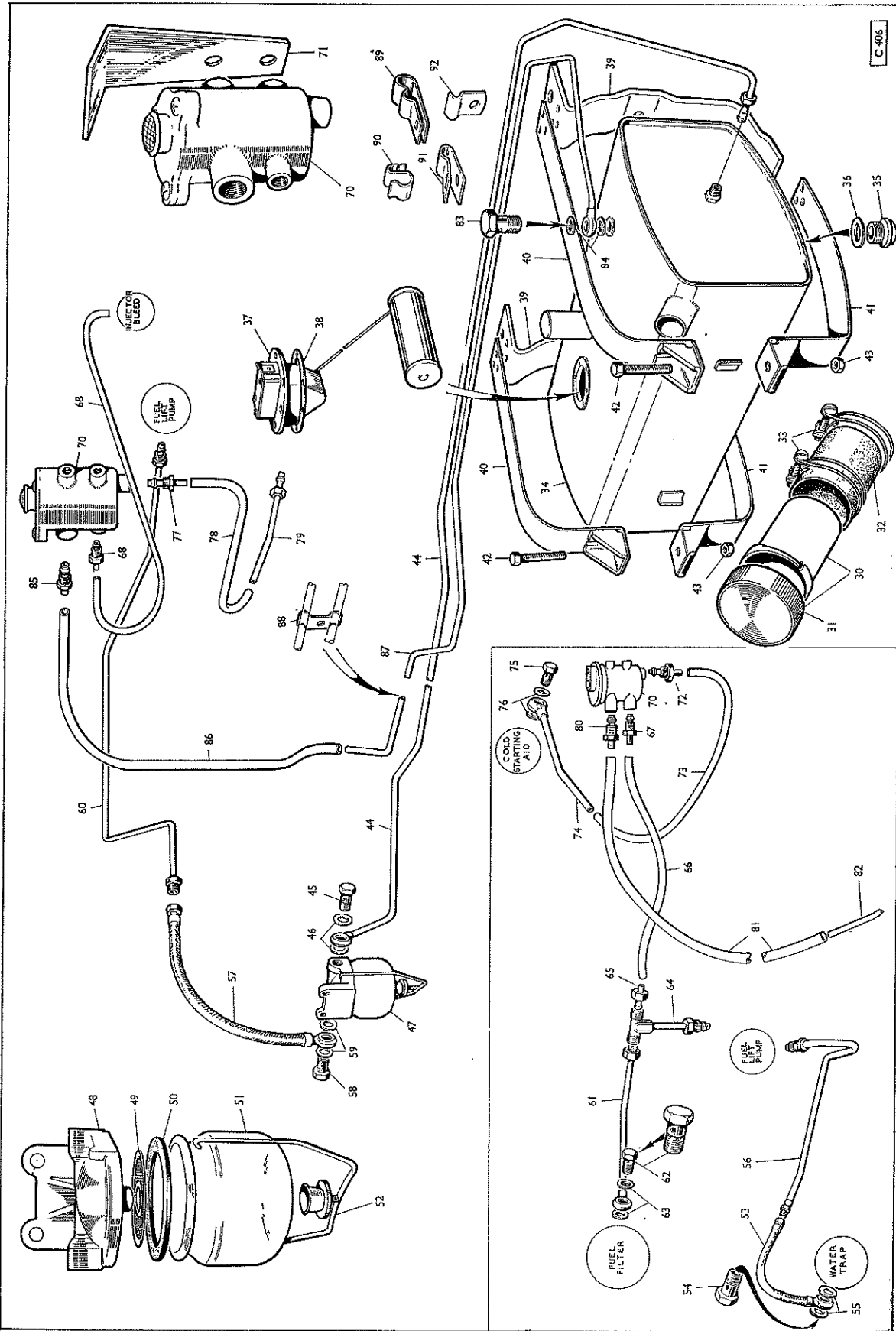


PLATE B — SECTION N

FUEL SYSTEM

Plate Ref.	Part Number	DESCRIPTION	No. per Veh.	REMARKS
PETROL ENGINED MODELS				
A1	3019517	Pipe – With filler cap – Fuel tank filler	1	
A2	5039659	Cap – Fuel filler	1	
A3	9166176	Hose – From filler pipe to tank inlet	1	
A4	9782341	Clip – Hose clamping	2	
A5	3074383	Tank – 10 gallons (45.4 litres) fuel capacity	1	25/30 models
	3074423	Tank – 15 gallons (68 litres) fuel capacity	1	40/60 models
		Note. The 15 gallon tank, 3074423 is an optional fitment on 25/30 models.		
A6	9800011	Plug – Fuel tank drain	1	
A7	9078019	Washer – Drain plug	1	
A8	9800631	Plug – Blanking for adaptor on tank top	1	
A9	W.13173	Washer – Blanking plug	1	
A10	3059880	Tank unit – Fuel gauge	1	See Note 1. – Page N6
	3059788	Tank unit – Fuel gauge	1	See Note 2 – Page N6
A11	W.14342	Gasket – Tank unit flange	1	
	39042080	Screw – Securing unit to fuel tank	6	
	9660123	Washer – Spring	6	
A12	3058935	Support – Fuel tank	2	} See Note 3 Page N6
	3017786	Bolt – Securing support to frame	4	
	5221351	Nut	4	
	9660243	Washer	4	
A13	W.12096	Strap – Top – Securing fuel tank to support	A/R	} See Note 4 – Page N6
A14	W.12094	Strap – Bottom – Securing fuel tank to support	A/R	
	69406100	Rivet – Fixing strap to support	A/R	
A15	19506162	Bolt – Tensioning tank straps	A/R	
A16	9520060	Nut	A/R	
	3024333	Strap – Securing fuel tank to support	2	} See Note 5 Page N6
	19505072	Screw – Fixing strap to support	2	
	5221350	Nut	2	
	9660203	Washer	2	
	19506162	Bolt – Tensioning tank straps	2	
	9520061	Locknut	6	
	3050355	Pipe – From tank to fuel pump inlet	1	} KAH with Type UE Fuel pump fitted
	9156009	Nut – Tank union	1	
	9157011	Olive	1	
	W.14715	Connector – Banjo type – Pump inlet	1	
	W.13172	Bolt – Hollow – Banjo connector to fuel pump inlet	1	
	W.13173	Gasket	2	
	3053797	Pipe – From tank to fuel pump inlet	1	} KAH, KCH with Type UG Fuel pump fitted
	9156009	Nut – Tank union	1	
	9157011	Olive	1	
	W.14175	Connector – Banjo type – Pump inlet	1	
	W.13172	Bolt – Hollow – Banjo connector to fuel pump inlet	1	
	W13173	Gasket	2	

FUEL SYSTEM

Plate Ref.	Part Number	DESCRIPTION	No. per Veh.	REMARKS
PETROL ENGINED MODELS				
A17	3052492	Pipe – From tank to pipe connector	1	} KAL, KCL 123" and 135" W'B'
	9156009	Nut – Tank union and pipe connector	2	
	9157011	Olive	2	
A18	3052490	Pipe – With connector – From pipe to fuel pump inlet	1	
	9156539	Nut – Pump inlet union	1	
	9157108	Olive	1	
	9151215	Connector – Pump inlet union	1	
	3058234	Pipe – From tank to pipe connector	1	} KAL, KCL – 155" W.B.
	9156009	Nut – Tank union and pipe connector	2	
	9157011	Olive	2	
	3052490	Pipe – With connector – From pipe to fuel pump inlet	1	
	9156539	Nut – Pump inlet union	1	
	9157108	Olive	1	
	9151215	Connector – Pump inlet union	1	
A19	9176015	Clip – Support for fuel pipe	A/R	
A20	P.60919	Clip – Support for fuel pipe	A/R	
	39023100	Screw – Securing clip to frame	A/R	
	9660123	Washer	A/R	
	9600521	Nut	A/R	
A21	3018968	Clip – Support for fuel pipe	1	
	39023100	Screw – Clip	1	
	9660123	Washer	1	
	9600521	Nut	1	
		Pump – Fuel See Section A and AB		
	9159003	Connector – Banjo type – Fuel pump outlet	1	} Type UE fuel pump
	9159514	Bolt – Hollow – Banjo connector	1	
	P.49339	Gasket	2	
	P.107817	Pipe – from fuel pump outlet to carburettor inlet	1	} KAH with UE pump and banjo connector at carburettor
	9156058	Nut – Pipe union to pump banjo connector	1	
	9156525	Nut – Pipe union to carburettor banjo connector	1	
	5220717	Olive	2	
	1218468	Pipe – From fuel pump outlet to carburettor inlet	1	} KAH and KCH with UG pump and banjo connector at carburettor
	9156529	Nut – Pipe union to pump outlet	1	
	9156525	Nut – Pipe union to carburettor banjo connector	1	
	5220717	Olive	2	
	1218699	Pipe – From fuel pump outlet to carburettor inlet	1	} KCH with UG pump and straight connexion at carburettor
	9156529	Nut – Pipe union to pump and carburettor	2	
	5220717	Olive	2	
A22	1214605	Pipe – From fuel pump outlet to carburettor inlet	1	} KAL with banjo connector at pump
	9156058	Nut – Pipe union to pump banjo connector	1	
	9156529	Nut – Pipe union to carburettor	1	
	5220717	Olive	2	
	1228161	Pipe – From fuel pump outlet to carburettor inlet	1	} KAL and KAH with straight connexion at pump
	9156529	Nut – Pipe union to pump and carburettor	2	
	5220717	Olive	2	

FUEL SYSTEM

Plate Ref.	Part Number	DESCRIPTION	No. per Veh.	REMARKS
DIESEL ENGINED MODELS				
B30	3020300	Pipe – With filler cap – Fuel tank filler	1	
B31	5040343	Cap – Fuel filler	1	
B32	9166176	Hose – From filler pipe to tank inlet	1	
B33	9782341	Clip – Hose clamping	2	
B34	3074383	Tank – 10 gallons (45.4 litres) fuel capacity	1	25/30 models
	3074423	Tank – 15 gallons (68 litres) fuel capacity	1	40/60 models
Note. The 15 gallon tank 3074423 is an optional fitment on 25/30 models.				
B35	9800011	Plug – Fuel tank drain	1	
B36	9078019	Washer – Drain plug	1	
B37	3059880	Tank unit – Fuel gauge	1	See Note 1 – Page N6
	3059788	Tank unit – Fuel gauge	1	See Note 2 – Page N6
B38	W.14342	Gasket – Tank unit flange	1	
	39042080	Screw – Securing unit to fuel tank	6	
	9660123	Washer – Spring	6	
B39	3058935	Support – Fuel tank	2	} See Note 3 Page N6
	3017786	Bolt – Securing support to frame	4	
	5221351	Nut	4	
	9660243	Washer	4	
B40	W.12096	Strap – Top – Securing fuel tank to support	A/R	} See Note 4 – Page N6
B41	W.12094	Strap – Bottom – Securing fuel tank to support	A/R	
	69406100	Rivet – Fixing stamp to support	A/R	
B42	19506162	Screw – Tensioning tank straps	A/R	
B43	9520060	Locknut	A/R	
	3024333	Strap – Securing fuel tank to support	2	} See Note 5 Page N6
	19505072	Screw – Fixing strap to support	2	
	5221350	Nut	2	
	9660203	Washer	2	
	19506162	Screw – Tensioning tank straps	2	
	9520061	Locknut	6	
B44	3052779	Pipe – From fuel tank to water trap	1	} KAD, KAB, KAV, KCB, KCV
	9156009	Nut – Tank union	1	
	9157011	Olive	1	
	W.14715	Connector – Banjo type – Water trap inlet	1	
B45	W.13172	Bolt – Hollow – Banjo connector to water trap	1	
B46	W.13173	Gasket	2	
	3058278	Pipe – From fuel tank to water trap	1	} KAF, KCF
	9156009	Nut – Tank union	1	
	9157011	Olive	1	
	W.14715	Connector – Banjo type – Water trap inlet	1	
	W.13172	Bolt – Hollow – Banjo connector to water trap	1	
	W.13173	Gasket	2	

FUEL SYSTEM

Plate Ref.	Part Number	DESCRIPTION	No. per Veh.	REMARKS	
DIESEL ENGINED MODELS					
B47	3049019	Trap – Water	1		
B48	K.23882	Head	1		
B49	K.23884	Screen – Filter gauze	1		
B50	9122184	Gasket – Filter bowl and head	1		
B51	5037535	Bowl	1		
B52	5037534	Bail – Securing bowl to head	1		
	19505062	Screw – Securing water trap to frame	2		
	5221350	Nut	2		
	9660203	Washer	2		
B53	3018349	Pipe – With banjo and nut – From water trap to pipe	1		} KAD, KAV, KCV
B54	W.13172	Bolt – Hollow – Banjo connector to water trap	1		
B55	W.13173	Gasket	2		
B56	3050349	Pipe – With connector – From pipe to fuel pump	1		
	9156539	Nut – Pump inlet union	1		
	9157108	Olive.. .. .	1		
B57	3018349	Pipe – With banjo and nut – From water trap to pipe	1	} KAB, KCB	
B58	W.13172	Bolt – Hollow – Banjo connector to water trap	1		
B59	W.13173	Gasket	2		
B60	3050351	Pipe – With connector – From pipe to fuel pump	1		
	9156539	Nut – Pump inlet union	1		
	9157108	Olive.. .. .	1		
	3024129	Pipe – From water trap to fuel pump	1	} KAF, KCF	
	9232017	Pipe	A/R		
	9156540	Nut – Pipe union	2		
	9157149	Olive.. .. .	2		
	9176015	Clip – With .21” (5.6 mm) screw hole – Pipe supporting	A/R		
	9176023	Clip – With .34” (8.7 mm) screw hole – Pipe supporting	A/R		
	9176026	Clip – With .47” (12 mm) screw hole – Pipe supporting	A/R		
	39023100	Screw – Securing clip to frame	A/R		
	9600522	Nut	A/R		
	9660123	Washer	A/R		
B61	3018352	Pipe – With banjo and nut – From fuel filter to connector	1		} KAD with OE 138 engine
B62	P.45751	Bolt – Hollow – Banjo connector to filter	1		
B63	9077018	Gasket	2		
	3020570	Connector – 3-way assembly	1		
	3018350	Hose – From connector to pipe	1		
	3050353	Pipe – With banjo – From hose to fuel tank	1		
	W.13172	Bolt – Hollow – Banjo connector to fuel tank	1		
	W.13173	Gasket	2		
	3018352	Pipe – With banjo and nut – From fuel filter to connector	1	} KAD with 23 CV engine	
	P.45751	Bolt – Hollow – Banjo connector to filter	1		
	9077018	Gasket	2		
B64	3018354	Connector – 3-way assembly	1		
B65	3019763	Pipe – From 3-way connector to hose	1		
	9156009	Nut – Pipe union	1		
	9157007	Olive.. .. .	1		
B66	W.15959	Hose – From pipe to reservoir pipe	1		
B67	3018359	Pipe – From hose to starting aid reservoir	1		
	9156512	Nut – Pipe union	1		
	9157104	Olive.. .. .	1		

FUEL SYSTEM

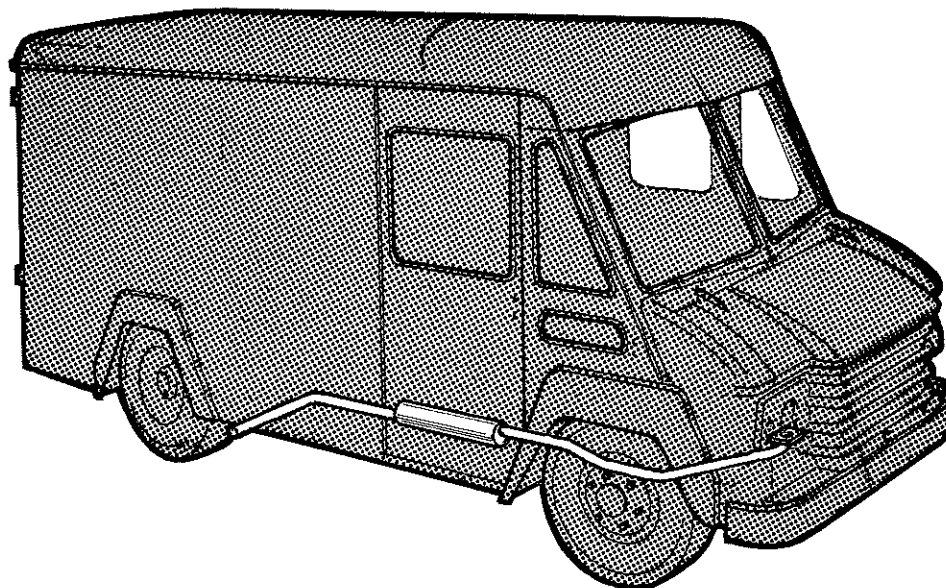
Plate Ref.	Part Number	DESCRIPTION	No. per Veh.	REMARKS
DIESEL ENGINED MODELS				
B68 B69	3020602	Pipe – From injector leak off pipe to hose	1	KAB, KAF, KCB, KCF
	5032412	Nut – Pipe union	1	
	9157104	Olive	1	
	W.15959	Hose – From leak off pipe to reservoir pipe	1	
	3018363	Hose – From leak off pipe to reservoir pipe	1	
	3018359	Pipe – From hose to starting aid reservoir	1	
B69	9156512	Nut – Pipe union	1	KAB, KAF, KCB, KCF
	9157104	Olive	1	
B70	5035294	Reservoir – Starting aid fuel	1	KAD with 23 CV engine KAB, KCB, KAF, KCF
	5035295	Cap	1	
	5033732	Gasket – Cap and body	1	
	5035296	Screw – Securing cap to body	3	
	5033731	Valve – Check	1	
	5035157	Washer – Check valve	1	
	5033815	Cover – Dust excluding for check valve	1	
B71	3018361	Bracket – Support for starting aid reservoir	1	KAD with 23 CV engine
	5221352	Screw – Securing bracket and reservoir	4	
	9510041	Nut	2	
	9660163	Washer	4	
B72	3018359	Pipe – From starting aid reservoir to hose	1	KAD with 23 CV engine
	9156512	Nut – Pipe union	1	
	9157104	Olive	1	
B73	3018363	Hose – From pipe to starting aid pipe	1	KAD with 23 CV engine
B74	3018364	Pipe – With banjo – From hose to starting aid	1	
B75	P.45976	Bolt – Hollow – Banjo connector to starting aid heater	1	
B76	P.45977	Gasket	2	
B77	3018359	Pipe – From starting aid reservoir to hose	1	KAB, KAF, KCB, KCF
	9156512	Nut – Pipe union	1	
	9157104	Olive	1	
B78	3017103	Hose – From pipe to starting aid pipe	1	KAB, KAF, KCB, KCF
B79	3020602	Pipe – From hose to starting aid heater	1	
	5032412	Nut – Pipe union 3/75" – 24 UNF Thread	1	
	9157104	Olive	1	
		Nut – Pipe union 1/25" – 28 BSP Thread	1	
<p>N.B. Pipe 3020602 is suitable for fitting to a Starting Aid Heater with UNF Screwthread. In the event of a Starting Aid Heater with BSP Screwthread being fitted to the engine manifold it will be necessary to use the Union Nut 9156054 in place of 5032412. The later Starting Aid Heater has UNF Screwthread.</p>				
		Heater – Starting aid		See Engine Section
B80	3018366	Pipe – From reservoir to hose	1	KAD with 23 CV engine KAB, KCB
	9156537	Nut – Pipe union	1	
	9157108	Olive	1	
B81	3018350	Hose – From pipe to tank return pipe	1	KAD with 23 CV engine KAB, KCB
B82	3050353	Pipe – With banjo – From hose to tank return	1	
B83	W.13172	Bolt – Hollow – Banjo connector to tank	1	
B84	W.13173	Gasket	2	

FUEL SYSTEM

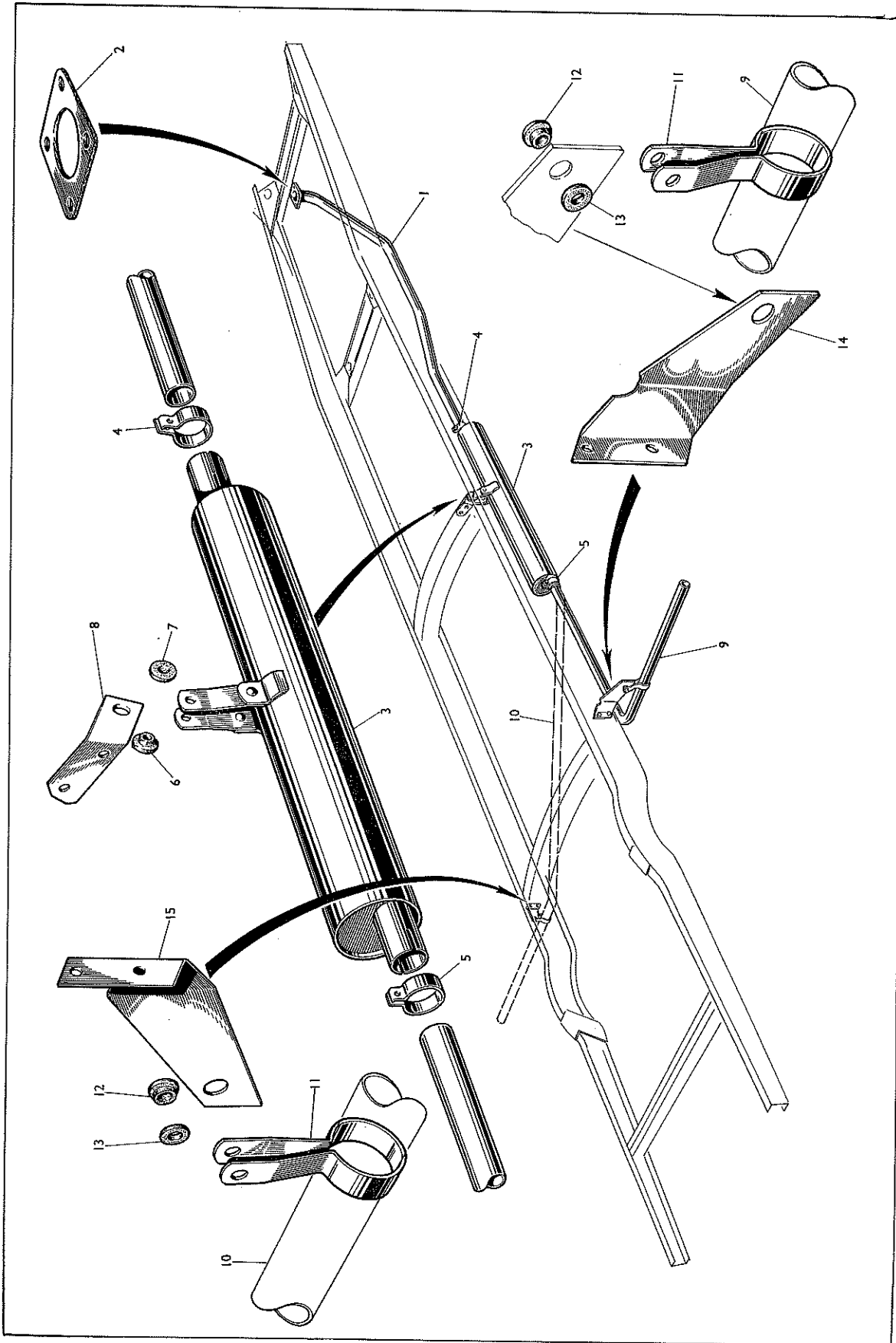
Plate Ref.	Part Number	DESCRIPTION	No. per Veh.	REMARKS
DIESEL ENGINED MODELS				
B85	3018366	Pipe – From starting aid reservoir to hose	1	} KAF, KCF
	9156537	Nut – Pipe union	1	
	9157108	Olive	1	
B86	3018350	Hose – From pipe to tank return pipe	1	
B87	3058280	Pipe – With banjo connector – From hose to tank return	1	
	W.13172	Bolt – Hollow – Banjo connector to tank	1	
	W.13173	Gasket	2	} KAV, KCV
	9232015	Pipe – From injector leak off to tank return	A/R	
	9156024	Nut – Pipe to leak off connection	1	
	9169302	Nipple	1	
	9156533	Nut – Pipe to tank elbow connector	1	
	9157148	Olive	1	
	3023033	Elbow – Pipe connection to tank	1	
	P.49339	Gasket	1	
B88	P.92118	Clip – Double pipe – Pipe support	A/R	
B89	3018351	Clip – Double pipe – Pipe support	A/R	
B90	9178501	Clip – Hook on fixing – Pipe support	A/R	
B91	P.60772	Clip – Single pipe – Pipe support	A/R	
B92	P.60919	Clip – Single pipe – Pipe support	A/R	
	39023100	Screw – Fixing clip	A/R	
	9660123	Washer – Spring	A/R	
	9600522	Nut	A/R	
NOTES – ALL MODELS				
NOTE 1. Applicable to vehicles built UP TO chassis no. KA – 011832 Built Up. KA, KC – 700948 CKD.				
NOTE 2. Applicable to vehicles built FROM chassis no. KA, KC – 011833 Built Up. KC – 700949 CKD.				
NOTE 3. Tank Support 3058935 supercedes the earlier Support which is no longer available. Tank Straps 3024333 are required when 3058935 replaces the earlier Support.				
NOTE 4. Applicable to vehicles built UP TO chassis nos. KA – 010360 Built Up. KA, KC – 700669 CKD.				
NOTE 5. Applicable to vehicles built FROM chassis no. KA, KC – 010361 Built Up. KC – 700670 CKD.				

SECTION 0

EXHAUST SYSTEM



EXHAUST SYSTEM



SECTION 0

EXHAUST SYSTEM

Plate Ref.	Part Number	DESCRIPTION	No. per Veh.	REMARKS	
1	3050150	Pipe - Exhaust front 123" W.B.	1	} KAH, KCH	
	3050151	Pipe - Exhaust front 135" W.B.	1		
2	P.53143	Gasket - Pipe joint to manifold	1		
	29900289	Stud	4		
	9660203	Washer	4		
	9600051	Nut	4		
	3058288	Bracket - Pipe support	1		
	3023862	Packer - Support bracket and clutch housing	1		
	19605071	Screw - Securing support bracket to clutch housing	2		
	3023859	Bracket - With rod - Pipe support	1		
	19506062	Screw - Fixing pipe brackets	1		
	9068016	Washer	1		
	5221351	Nut	1		
	P.110184	Clip	2		
	19505082	Screw - Clip clamping	1		
	9660203	Washer	1		
	5221350	Nut	1		
	3050146	3050146	Pipe - Exhaust front 123", 155" W.B.		1
3050147		Pipe - Exhaust front 135" W.B.	1		
P.114340		Gasket - Pipe joint to manifold Y piece	1		
19506092		Bolt	2		
9660243		Washer	2		
5221351		Nut	2		
3050155	3050155	Pipe - Exhaust front 123" W.B.	1	} KAD, KAV, KCV	
	3050156	Pipe - Exhaust front 135" W.B.	1		
	P.53143	Gasket - Pipe joint to manifold	1		
	19105111	Bolt	4		
	9660203	Washer	4		
	9510055	Nut	4		
3052505	3052505	Pipe - Exhaust front 123" W.B.	1	} KAB, KCB	
	3052507	Pipe - Exhaust front 135" W.B.	1		
3020472	Pipe - Flexible section	A/R	See Note 1 - Page O4		
3060146	Pipe - Exhaust front 123" W.B.	1	Early KAB		
3060325	Pipe - Exhaust front 135" W.B.	1	KCB		
5032239	Gasket - Pipe joint to manifold	1	See Note 2 - Page O4		
29806153	Stud	2	KAB, KCB		
9082038	Washer	2			
5221351	Nut	2			
3020473	Bracket - Exhaust pipe support 123", 135" W.B.	1	KAB, KCB - Note 1 - Page O4		
3060152	Bracket - Exhaust pipe support 123", 135" W.B.	1	KCB		
3024806	Packing - Support bracket	A/R	See Note 2 - Page O4		
5220692	Screw - Securing support bracket to engine	2			
9067022	Washer	2			
3020475	Clip - Exhaust pipe support 123", 135" W.B.	1	KAB, KCB - Note 1 - Page O4		
19506102	Screw - Fixing clip to support bracket	1			
9660243	Washer	1			
5221351	Nut	1			
3024805	'U' Bolt - Securing exhaust pipe to clip .. 123", 135" W.B.	1	KCB - See Note 2 - Page O4		
9068011	Washer	2			
9660163	Washer	2			
9510041	Nut	2			
#	3058121	Pipe - Exhaust front 123", 155" W.B.	1	} KAF, KCF	
	73065142	Pipe - Exhaust front 135" W.B.	1		
	75035952	Gasket - Pipe joint to manifold	1		
	29900381	Stud	3		
	9660243	Washer	3		
	9553064	Nut	3		

EXHAUST SYSTEM

Plate Ref.	Part Number	DESCRIPTION	No. per Veh.	REMARKS
3	W.45250	Silencer – Exhaust	1	} KAH, KAD, KAV, KCH, KCV
4	P.96846	Clip – Clamping silencer inlet onto front pipe	1	
5	W.12808	Clip – Clamping silencer outlet onto tail pipe	1	
	19506071	Screw – Securing pipe clip	2	
	9660243	Washer	2	
	5221351	Nut	2	
	3050161	Silencer – Exhaust	1	} KAL, KAF, KCL, KCF
	3018166	Clip – Clamping silencer inlet onto front pipe	1	
	P.96846	Clip – Clamping silencer outlet onto tail pipe	1	
	19506071	Screw – Securing pipe clip	2	
	9660243	Washer	2	
	5221351	Nut	2	
	3050161	Silencer – Exhaust	1	} KAB, KCB See Note 1 – Page O4
	3018166	Clip – Clamping silencer car inlet onto front pipe	1	
	P.96846	Clip – Clamping silencer outlet onto tail pipe	1	
	19506071	Screw – Securing pipe clip	2	
	9660243	Washer	2	
	5221351	Nut	2	
	3060135	Silencer – Exhaust	1	} KCB – See Note 2 – Page O4
	P.96846	Clip – Clamping silencer inlet and outlet onto pipe	2	
	19506071	Screw – Securing pipe clip	2	
	9660243	Washer	2	
	5221351	Nut	2	
6.7	P.65930	Insulator – Male and female rubbers – Silencer support	1	
	19106121	Bolt – Silencer lugs and insulator to support bracket	1	
	9660243	Washer	1	
	5221351	Nut	1	
8	3050165	Bracket – Rigidly fixed – Silencer support	1	} KAH, KAD See Note 3 – Page O4
	19506062	Screw – Fixing bracket to frame	2	
	9660243	Washer	2	
	5221351	Nut	2	
	3055461	Bracket – Flexibly fixed – Silencer support	1	} KAH, KAD, KAV, KCH, KCV See Note 4 Page O4
	P.65930	Insulator – Male and female rubbers – Silencer support	1	
	19106121	Bolt – Insulator and bracket to frame	1	
	9067044	Washer – Plain	1	
	9660243	Washer – Spring	1	
	5221351	Nut	1	
	3050164	Bracket – Rigidly fixed – Silencer support	1	} KAL, KAB See Note 3 – Page O4
	19506062	Screw – Fixing bracket to frame	2	
	9660243	Washer	2	
	5221351	Nut	2	
	3055460	Bracket – Flexibly fixed – Silencer support	1	} KAL, KAB, KAF, KCL, KCB, KCF See Note 4 Page O4
	P.65930	Insulator – Male and female rubbers – Silencer support	1	
	19106121	Bolt – Insulator and bracket to frame	1	
	9067044	Washer – Plain	1	
	9660243	Washer	1	
	5221351	Nut	1	

EXHAUST SYSTEM

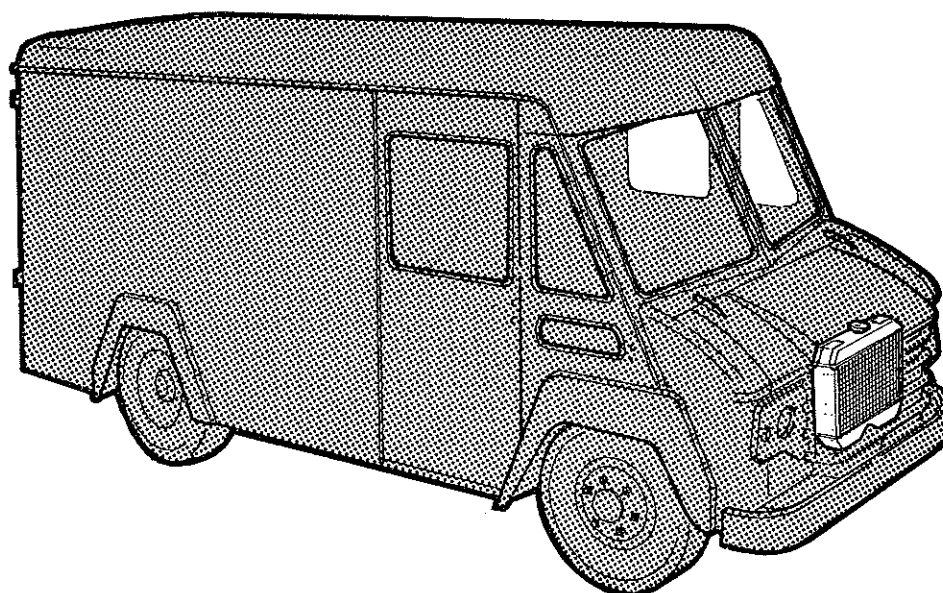
Plate Ref.	Part Number	DESCRIPTION	No. per Veh.	REMARKS
9	3050158	Pipe – Exhaust tail – R.H.D. 123", 135" W.B.	1	} KAH, KAD, KAV, KCH, KCV
10	3050157	Pipe – Exhaust tail – L.H.D. 123", 135" W.B.	1	
	3050160	Pipe – Exhaust tail – R.H.D. 123", 135" W.B.	1	} KAL, KAB, KCL, KCB
	3050159	Pipe – Exhaust tail – L.H.D. 123", 135" W.B.	1	
	3058144	Pipe – Exhaust tail – R.H.D. 155" W.B.	1	} KAL, KCL
	3058143	Pipe – Exhaust tail – L.H.D. 155" W.B.	1	
**	3050159	Pipe – Exhaust tail – R.H.D. 123", 135", W.B.	1	} KAF KCF
**	3058143	Pipe – Exhaust tail – R.H.D. 155", W.B.	1	
	73081357	Pipe – Exhaust tail – L.H.D. 123", 135", W.B.	1	
	3058144	Pipe – Exhaust tail – L.H.D. 155", W.B.	1	
11	W.12810	Clip – Tail pipe support 123", 135" W.B.	1	} KAH, KAD See Note 3 – Page O4
	19506071	Screw – Fixing pipe clip	1	
	9660243	Washer	1	
	5221351	Nut	1	
	3018167	Clip – Tail pipe support 123", 135" W.B.	1	} KAL, KAB See Note 3 – Page O4
	19506071	Screw – Fixing pipe clip	1	
	9660243	Washer	1	
	5221351	Nut	1	
12. 13	P.65930	Insulator – Male and female rubbers – Pipe support	1	} KAH, KAL, KAD, KAB See Note 3 Page O4
	19106121	Screw – Clip and insulator to support bracket	1	
	9660243	Washer	1	
	5221351	Nut	1	
14	3050163	Bracket – Tail pipe support – R.H.D. .. 123", 135" W.B.	1	
15	3050162	Bracket – Tail pipe support – L.H.D. .. 123", 135" W.B.	1	
	19506072	Screw – Fixing bracket to frame	2	
	9660243	Washer	2	
	5221351	Nut	2	
	3022464	Clip – Tail pipe support 123", 135" W.B.	1	} KAH, KAD, KAV, KCH, KCV See Note 4 Page O4
	19506071	Screw – Fixing pipe clip	1	
	9660243	Washer	1	
	5221351	Nut	1	
	3022064	Clip – Tail pipe support 123", 135" W.B.	1	} KAL, KAB, KCL, KCB See Note 4 – Page O4
	19506071	Screw – Clamping pipe clip	1	
	9660243	Washer	1	
	5221351	Nut	1	
	P.102431	Insulator – Rubber with bonded studs – Pipe support	1	} KAH, KAL, KAD, KAV, KAB, KCH, KCL, KCV, KCB See Note 4 Page O4
	5221350	Nut	2	
	9660203	Washer	2	
	3055486	Bracket – Tail pipe support – R.H.D. .. 123", 135" W.B.	1	
	3055462	Bracket – Tail pipe support – L.H.D. .. 123", 135" W.B.	1	
	19506072	Screw – Fixing bracket to frame	2	
	9660243	Washer	2	
	5221351	Nut	2	

EXHAUST SYSTEM

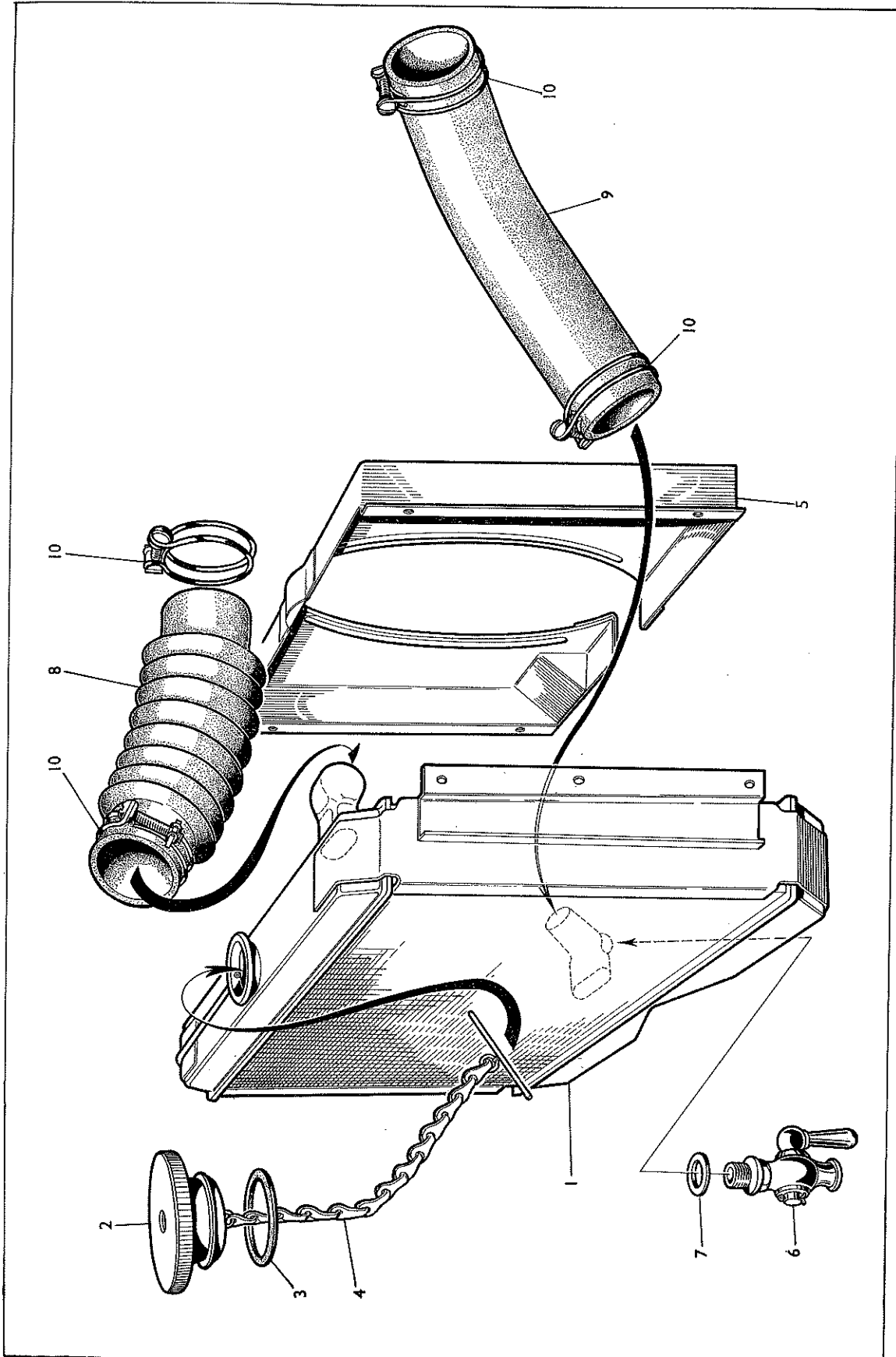
Plate Ref.	Part Number	DESCRIPTION	No. per Veh.	REMARKS
	3025024	Clip – Tail pipe support 155" W.B.	1	} KAL, KAF, KCL, KCF
	19506071	Screw – Fixing clip to pipe and bracket	1	
	9660243	Washer	1	
	5221351	Nut	1	
	3025023	Bracket – Tail pipe support 155" W.B.	1	
	P.65930	Insulator – Male and female rubbers – Pipe support ..	1	
	19106121	Bolt – Bracket and insulator to frame	1	
	9067044	Washer – Plain	1	
	9660243	Washer – Spring	1	
	5221351	Nut	1	
	3022064	Clip – Tail pipe support 155" W.B.	1	} KAL, KAF, KCL, KCF
	19506071	Screw – Clamping pipe clip	1	
	9660243	Washer	1	
	5221351	Nut	1	
	P.102431	Insulator – Rubber with bonded studs – Pipe support ..	1	
	5221350	Nut	2	
	9660203	Washer	2	
	3055486	Bracket – Tail pipe support 155" W.B.	1	
	19506072	Screw – Fixing bracket to frame	2	
	9660243	Washer	2	
	5221351	Nut	2	
NOTES				
	Note 1. Applicable to vehicles built UP TO chassis no. KAB, KCB 016936 BU 701330 CKD			} Associated with Exhaust Manifold 5034264
	Note 2. Applicable to vehicles built FROM chassis no. KCB 016937 BU 701331 CKD			} Associated with Exhaust Manifold 5035480
	Note 3. Applicable to vehicles built UP TO chassis no. KAH, KAL, KAD 3023 005439 – KAB 3023 004689 KAH, KAL, KAD 4023 002833 – KAB 4023 002357 KAH, KAL, KAD 4035 000642 – KAB 4035 000514 KAL 6035 000534 – KAB 6035 000425			
	Note 4. Applicable to vehicles built FROM chassis no. KAH, KAL, KAD 3023 005440 – KAB 3023 004690 KAH, KAL, KAD 4023 002834 – KAB 4023 002358 KAH, KAL, KAD 4035 000643 – KAB 4035 000515 KAL 6035 000535 – KAB 6035 000426 KAV, KC 1st Production			

SECTION P

RADIATOR



RADIATOR



SECTION P

RADIATOR

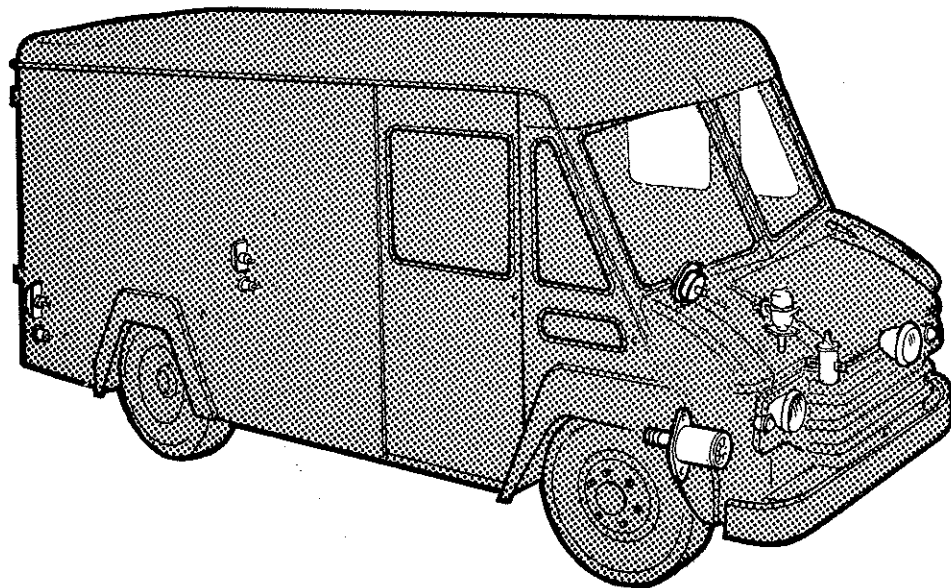
Plate Ref.	Part Number	DESCRIPTION	No. per Veh.	REMARKS		
RADIATOR and FIXING DETAILS						
1	1217280	Radiator	1	} KAH, KAD, KAV, KCH, KCV Home & Export models. KAB, KAF, KCB, KCF Home models		
	1217288	Tank - Top	1			
	1217289	Tank - Bottom	1			
	1217290	Bracket - Radiator side R.H.	1			
	1217291	Bracket - Radiator side L.H.	1			
	9166022	Hose - Overflow	1			
	9178536	Clip - Overflow hose support	2			
	1217215	Cap - Radiator filler	1			
2	3052512	Cap - With retaining chain - Radiator filler	1	} KAH, KAD, KAB See Note		
	5059808	Chain	1			
3	9078051	Gasket - Fibre	1	} Page P2		
	1217281	Radiator	1			
	1217288	Tank - Top	1	} KAB, KAF, KCB, KCF Export models		
	1217289	Tank - Bottom	1			
	1217292	Bracket - Radiator side R.H.	1			
	1217293	Bracket - Radiator side L.H.	1			
	9166022	Hose - Overflow	1			
	9178536	Clip - Overflow hose support	2			
	1217215	Cap - Radiator filler	1			
	4	3052512	Cap - With retaining chain - Radiator filler		1	} KAB - See Note Page P2
5059808		Chain	1			
9078051		Gasket - Fibre	1			
	1217260	Radiator	1	} KAL, KCL Home models		
	1217268	Tank - Top	1			
	1217264	Core - Tubes and gills assembly	1			
	1217269	Tank - Bottom	1			
	1217270	Bracket - Radiator side	2			
	9166022	Hose - Overflow	1			
	9178536	Clip - Overflow hose support	2			
	K.20814	Cap - Radiator filler	1			
		1217261	Radiator		1	} KAL, KCL Export models
		1217268	Tank - Top		1	
1217265		Core - Tubes and gills assembly	1			
1217269		Tank - Bottom	1			
1217271		Bracket - Radiator side	2			
9166022		Hose - Overflow	1			
9178536		Clip - Overflow hose support	2			
	K.20814	Cap - Radiator filler	1	}		
	19505062	Screw - Securing radiator to mounting	8			
	9067027	Washer - Plain	8			
	9660203	Washer - Spring	8			
	5221350	Nut	8	} KAH, KAD, KAV, KAF, KCH, KCV, KCF, and KAB, KCB Home models		
	19506082	Screw - Securing radiator to mounting	6			
	9067039	Washer - Plain	6			
	5221254	Washer - Spring	6			
	5221351	Nut	6	} KAL, KCL and KAB, KCB Export models		

RADIATOR

Plate Ref.	Part Number	DESCRIPTION	No. per Veh.	REMARKS	
COWL, DRAIN TAP and HOSES					
5	3050643	Cowl - Radiator fan	1	KAL, KCL Export model KAB, KCB Export model	
	3050826	Cowl - Radiator fan	1		
	39304064	Screw - Securing cowl to radiator	4		
	9661163	Washer - Spring	4		
6	9214004	Tap - Radiator drain	1		
7	9078034	Gasket - Fibre - Drain tap	1		
	3017800	Hose - Water - From engine to top tank	1	} KAH, KCH	
	3020182	Hose - Water - From bottom tank to engine	1		
9782301	Clip - Hose clamping	4			
8	3018560	Hose - Water - From engine to top tank	1	} KAL, KCL	
9	3050641	Hose - Water - From bottom tank to engine	1		
10	9782341	Clip - Hose clamping	4		
	W.15590	Hose - Water - From engine to top tank	1	} KAD, KAV, KCV	
	9782301	Clip - Hose clamping	2		
	W.14775	Hose - Water - From bottom tank to intermediate pipe	1		
	9783281	Clip - Hose clamping	2		
	W.16051	Pipe - Intermediate	1		
	9804030	Plug - Heater connection	1		
	3017528	Hose - Water - From intermediate pipe to engine	1		
	9782301	Clip - Hose clamping	2		
	3018306	Hose - Water - From engine to top tank	1		} KAB, KCB
	9782301	Clip - Hose clamping	2		
	P.19297	Hose - Water - From bottom tank to intermediate pipe	1		
	9783281	Clip - Hose clamping	2		
	3049653	Pipe - Intermediate	1		
	73037967	Stud - Support for intermediate pipe to engine	1		
	9078007	Gasket - Fibre	1		
	9830606	Pin - Split - Retaining intermediate pipe to stud	1		
	9086003	Washer - Spring	1		
	9067015	Washer - Plain	1		
	3017800	Hose - Water - From intermediate pipe to engine	1	} KAF, KCF	
	9782301	Clip - Hose clamping	2		
	3023612	Hose - Water - From engine to top tank	1	} KAF, KCF	
	9782381	Clip - Hose clamping - Large end	1		
	9782301	Clip - Hose clamping - Small end	1		
	3057984	Hose - Water - From bottom tank to engine	1		
	9782301	Clip - Hose clamping	2		
<p>NOTE. Filler Cap, Chain and Gasket are available for use with the original Radiator fitted to early KA models. The Radiator shown replaces the original assembly which is no longer available.</p>					

SECTION Q

ELECTRICAL EQUIPMENT



ELECTRICAL EQUIPMENT

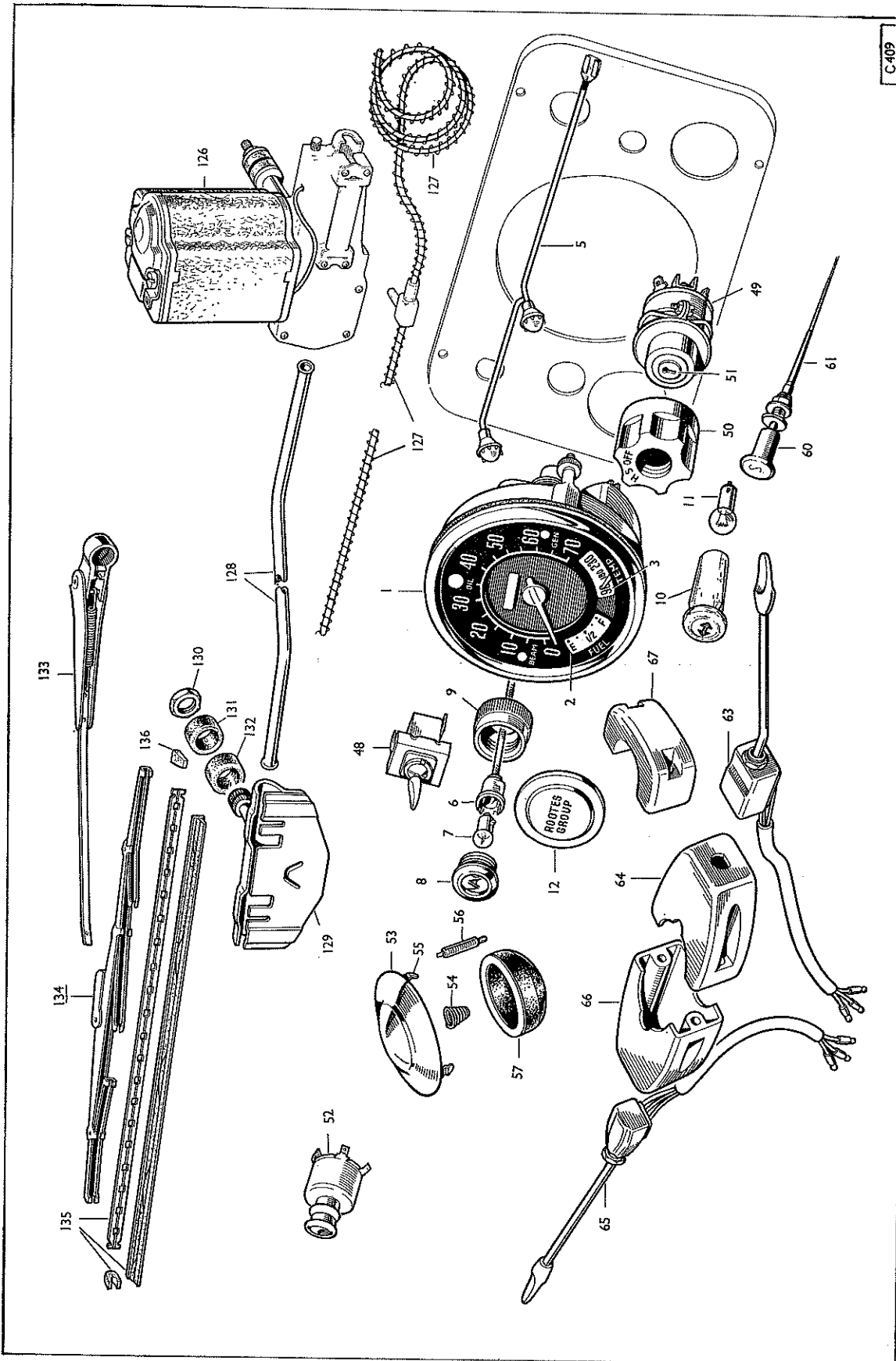


PLATE A - SECTION Q

ELECTRICAL EQUIPMENT

C 410

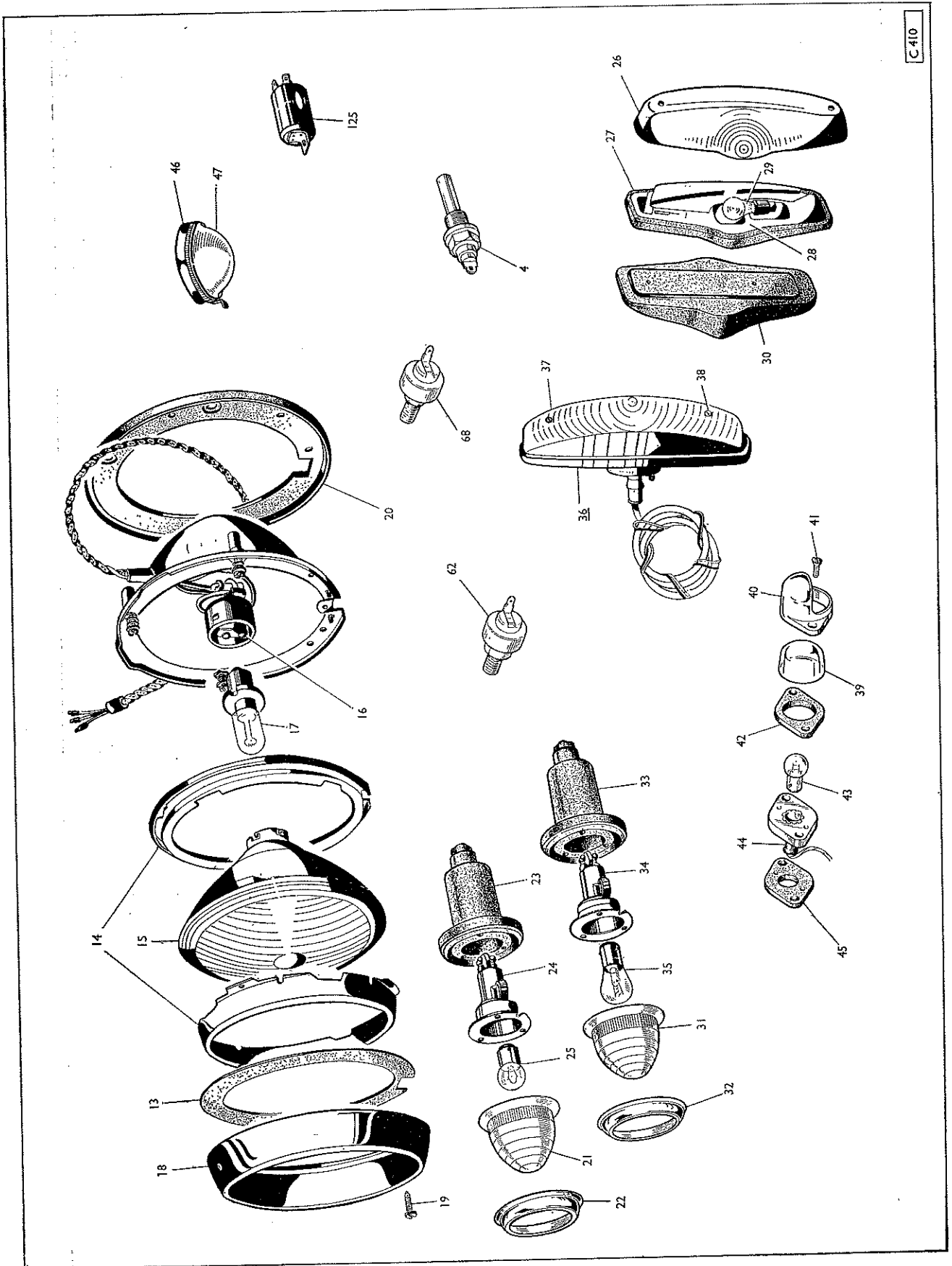
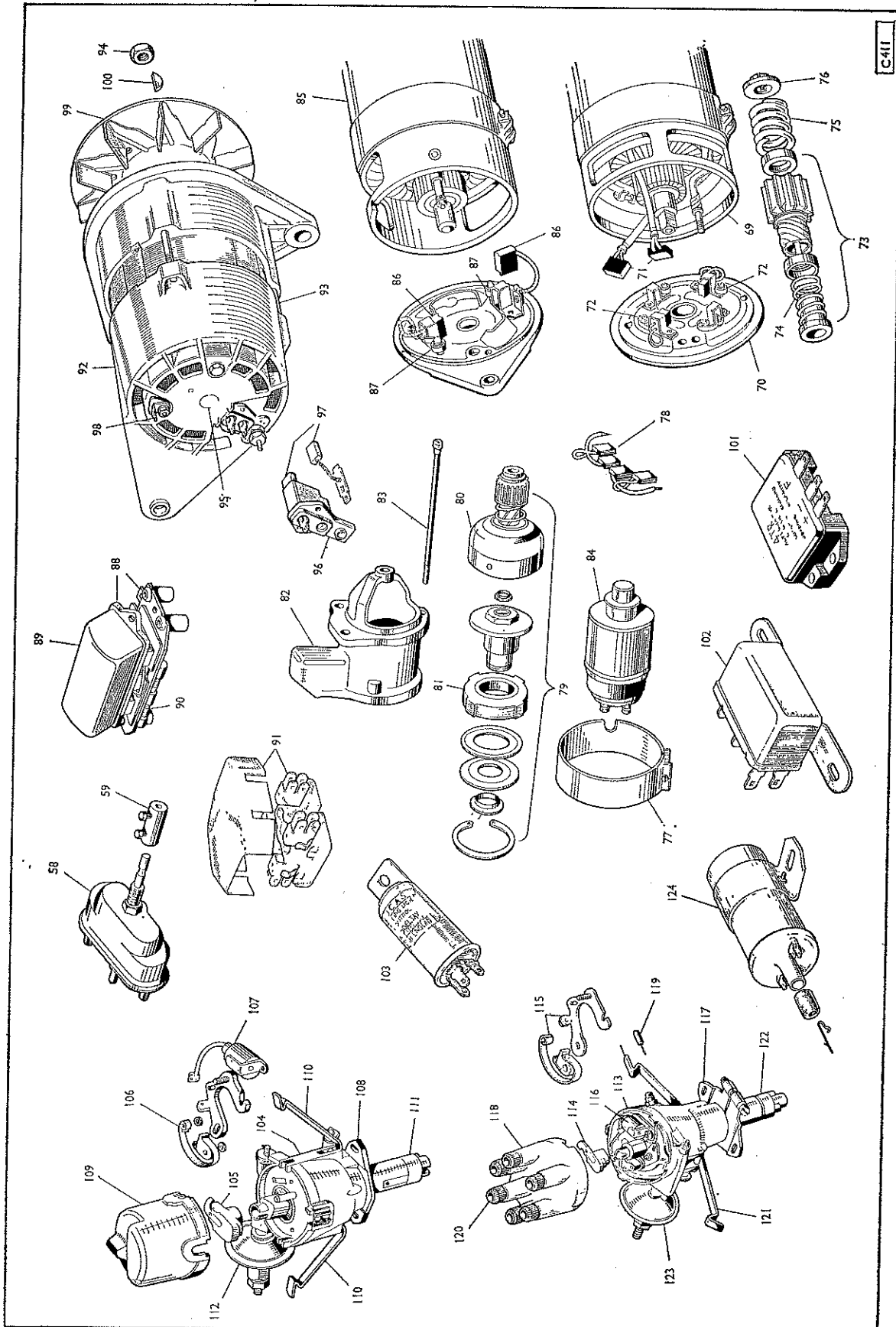


PLATE B - SECTION Q

ELECTRICAL EQUIPMENT



C411

PLATE C - SECTION Q

ELECTRICAL EQUIPMENT

Plate Ref.	Part Number	DESCRIPTION	No. per Veh.	REMARKS
INSTRUMENTS				
		PANEL - INSTRUMENT - Less instruments		See Section R
A1	3054513 s/d 75062510	SPEEDOMETER - M.P.H.	1	Used prior to Chassis Nos.: KA 30/40/60-011833 CKD KA 30/40/60-700949
#	3050036 s/d 3054514	Speedometer - K.P.H.	1	
	3054514 s/d 75062511	Speedometer - K.P.H.	1	
A2	3018078	Gauge - Fuel	1	
A3	3018079	Gauge - Thermometer	1	
B4	P.46371	Transmitter - Temperature	1	
#	3059780 s/d 75062512	SPEEDOMETER - M.P.H.	1	Bi-Metal Instruments used from Chassis Nos.: KA-30/40/60-011833 CKD - KA - 700949
	3059781	Speedometer - K.P.H.	1	
	5057981	Gauge - Fuel	1	
	5057982	Gauge - Thermometer	1	
	3019579 s/d 1205552	Transmitter - Temperature	1	
	1205552	Transmitter - Temperature	1	
#	1801197	STABILIZER - VOLTAGE	1	No longer supplied
	3025034	Cable - Stabilizer to panel No longer supplied	1	
	39312081	Screw - Stabilizer to instrument panel	2	
	9660113	Washer	2	
	9510021 s/d 9510020	Nut	2	
	K.26785	Bulb - 12 v 2-2 w MSC speedometer	1	
	W.12098	CABLE - SPEEDOMETER - 75" (190.4 cm.) long - R.H.D.	1	
	K.23684	Casing - Outer	1	
	K.23685	Cable - Inner	1	
	W.12833	Cable - Speedometer - 111" (283.8 cm.) long - L.H.D.	1	
	K.23686	Casing - Outer	1	No longer supplied
	K.23687	Cable - Inner	1	
A5	3018070	LIGHT AND WIRING ASSEMBLY - PANEL	1	} KA and KCB - KCL 30 models
	K.26785	Bulb - 12 v 2-2 w MSC	2	
	3018892	Light and wiring assembly - Panel	1	} KC models except KCB and KCL 30
	K.26785	Bulb - 12 v 2-2 w MSC	2	
A6	1800017	HOLDER - VACUUM WARNING LIGHT LAMP AND WIRE	1	} KAB 6035 Standard: KAB 4023-4035, KAD/KAV 30/40 Special order only
A7	K.26780	Bulb - 12 v 6 w MBC - Light - Vacuum warning	1	
A8	1800008	Escutcheon - Light - Vacuum warning	1	
A9	3017824	Nut - Retainer	1	
	1802269	SWITCH - VACUUM	1	} KC 40/6055 Standard: KC 30 Special order only. From KC 30-018982 Standard
	3018080	GAUGE - VACUUM	1	
	P.45709	Washer - Vacuum gauge	1	
	3018893	Lamp assembly - Vacuum gauge	1	
	K.26785	Bulb - 12 v 2-2 w MSC	1	
	1801068	BUZZER	1	
	3025450	Cable - Assembly	1	
	39313081	Screw - Buzzer to instrument panel	1	
#	9660123 s/d 79660123	Washer - Spring	1	
#	9510031 s/d 79510031	Nut	1	
	1200269 s/d 1217989	HOLDER - FLASHER WARNING LIGHT BULB - GREEN .. - WL 15	1	} See Note 1 Page Q24
A10	1217989	Holder - Flasher warning light bulb WL.15	1	
	5043187	Holder - Bulb	1	
A11	K.26644	Bulb - 12 v 2 w	1	

ELECTRICAL EQUIPMENT

Plate Ref.	Part Number	DESCRIPTION	No. per Veh.	REMARKS
A12	2203622 s/d 3027412	INSTRUMENTS – continued		
	W.16733	PLAQUE – BLANKING	1	} KA models only
		Plaque – Backing plate	1	
	H.122565 s/d 3027412	PLAQUE – BLANKING	1	} DKA and FKA models only
	3024307	Plate – Backing – Plaque No longer supplied	1	
	9206504	Nut – Spire – Blanking plaque	3	
	9119025	Button – Blanking – Vacuum warning light	1	
	9119025	Button – Blanking – Heater/starter switch	1	Petrol Models
	9119100	Button – Blanking – Flasher warning light	1	
	3027412	Plug – Blanking	1	See Note 31 – Page Q26
		AMMETER		} See Special Accessories
	GAUGE – OIL PRESSURE			

ELECTRICAL EQUIPMENT

Plate Ref.	Part Number	DESCRIPTION	No. per Veh.	REMARKS
		LAMPS		
	P.45474 s/d 5058000	HEADLAMP - Complete with RIM AND GASKET - Home and Export - R.H.D. - Dip left F700	2	
	5058000	HEADLAMP WITHOUT RIM AND GASKET - Home and Export - R.H.D. - Dip left F700	2	
	1800522	HEADLAMP-SEALED BEAM-WITHOUT RIM AND GASKET - Home and Export - R.H.D. - Dip Left .. F700	2	
	1046570	HEADLAMP - Complete with RIM AND GASKET - Europe (Except France and Sweden) - L.H.D. - Dip right F700	2	} Alternative to 1046570 Headlamp
	5058198	HEADLAMP WITHOUT RIM AND GASKET - Europe (Except France and Sweden) - L.H.D. - Dip right .. F700	2	
	P.45014	HEADLAMP - Complete with RIM AND GASKET - Export - L.H.D. - Dip right F700	2	} Alternatives
	1800695	HEADLAMP-SEALED BEAM-WITHOUT RIM AND GASKET L.H.D. - Dip right F700	2	
		HEADLAMP - Complete with RIM AND GASKET - France - L.H.D. - Dip right F700-58231	2	
		HEADLAMP WITHOUT RIM AND GASKET - France - L.H.D. - Dip right F700-58815	2	
		HEADLAMP - Complete with RIM AND GASKET - Sweden - R.H.D. - Dip left - Left-hand rule of the road F700-58456	2	} Used prior to June 1966
		HEADLAMP WITHOUT RIM AND GASKET - Sweden - R.H.D. - Dip left - Left-hand rule of the road F700-59771	2	} Used from June 1966 up to 3rd September 1967
	5058419	HEADLAMP WITHOUT RIM AND GASKET - Sweden - L.H.D. - Dip right - Right-hand rule of the road F700	2	} Used from 3rd September 1967
	71802678	HEADLAMP - Without Rim and Gasket - Europe except France - L.H.D. - Sealed Beam - F700	2	} Not supplied - Check type fitted before ordering parts. Shallow lens.
	9020054	Nut - Rim No longer supplied	2	
B13	1046937	Excluder - Dust	2	
B14	K.23108	Plate - Reflector and Glass (For P.45014, P.45474, 1046570, 58231 and 58456 Headlamps)	2	
	5042722	Plate - Reflector and Glass (For 5058198, 58815, 5058000, 59771 and 5058419 Headlamps)	2	
	5042722	Plate - Light unit (For 1800522, 1800695 and 71802678 Headlamps)	2	
	5038928	Screw - Reflector and glass (For 5058198, 58815, 5058000, 59771 and 5058419 Headlamps)	2	
	5038928	Screw - Light unit (For 1800522, 1800695 and 71802678 Headlamps)	2	
	5041048	Rim - Unit sealing	2	
B15	K.22732	REFLECTOR AND GLASS (For P.45474 and 5058000 Headlamps)	2	} Home and Export - R.H.D.
	5037060	Reflector and glass (For 1046570, 58231, 5058198, 58815 and 5058419 Headlamps)	2	} Europe and France - L.H.D.
	K.22744	Reflector and glass (For P.45014 Headlamp)	2	
	1046814	Reflector and glass (For 58456 and 59771 Headlamps)	2	} Sweden - R.H.D. - No longer supplied
	5037430	Spring - Bulb retaining (For 5037060 and 1046814 Reflector and glass units)	2	

ELECTRICAL EQUIPMENT

Plate Ref.	Part Number	DESCRIPTION	No. per Veh.	REMARKS	
		LAMPS – continued			
		HEADLAMPS – continued			
B16	5041043	LIGHT UNIT – SEALED BEAM (For 1800522 Headlamp) ..	2	Home and Export – R.H.D. N. America – L.H.D. Europe except France	
	5044764	Light unit – Sealed beam (For 1800695 Headlamp) ..	2		
	75060946	Light unit – Sealed beam (For 71802678 Headlamp) ..	2		
	K.24538	Holder – Bulb (For K.22732 and K.22744 reflector and glass units)	2		
	5037061	Holder – Bulb (For 5037060 and 1046814 reflector and glass units)	2		
	1800439	Sleeve – Terminal	2		
B17	5037061	Adaptor (For 5041043, 5044764 and 75060946 light units)	2	} Home and Export	
	1800439	Sleeve – Terminal	2		
	5037048	BULB – 12 v 50/40 w transverse filament – R.H.D. – Dip left (For K.22732 reflector and glass unit)	2		
	5037063	Bulb – 12 v 45/50 w “Duplo-D” asymmetrical beam (clear) – L.H.D. – Dip right (For 5037060 and 1046814 reflector and glass units)	2		} Europe and Sweden
	K.29050	Bulb – 12 v 42/36 w transverse filament – L.H.D. – Dip right (For K.22744 reflector and glass units)	2		
	1046741	Bulb – 12 v 45/40 w “Duplo-D” asymmetrical beam (amber) – L.H.D. – Dip right (For 5037060 reflector and glass unit)	2		} Export
	5053115	Screw – Trimmer	4		
	5058600	Retainer – Screw (For Headlamp 71802678)	4		} Europe and France No longer supplied
	5043565	Body (For K.22732 and 5037060 reflector and glass units)	2		
	5043565	Body (For 1046814 and 5037060 reflector and glass units)	2		
	5043565	Body (For 5041043, 5044764 and 75060946 light units)	2		
B18	5041420	Clip and bracket – Rim fixing	2		
	K.22730	Rim (For P.45014, P.45474, 1046570, 58231 and 58456 Headlamps)	2		
B19	9050042	Screw – Rim fixing	2	No longer supplied	
B20	P.45479	Gasket (For P.45014, P.45474, 1046570, 58231 and 58456 Headlamps)	2		
	K.22730	Rim (For 5058198, 58815 and 5058000 Headlamps)	2	Screw on	
	9050042	Screw – Rim fixing	2		
	5058375	Gasket (For 5058198, 58815 and 5058000 Headlamps) ..	2	No longer supplied	
	5042072	Rim (For 1800522, 59771, 1800695, 5058419 and 71802678 Headlamps)	2		
	1801143	Gasket (For 1800522, 59771, 1800695, 5048419 and 71802678 Headlamps)	2	Snap on	
	9734104 s/d 9774106	Screw – Headlamp to front grille panel	6		
	9020047	Nut – Spire	6		
	1800062 s/d 1800181	SIDELAMP – Type L594	2		
	1800181	Sidelamp – Type L594	2		
B21	K.29739 s/d 75062491	Glass	2		
B22	K.20617	Rim	2		
B23	K.29738	Body (Rubber)	2		
B24	5030717	Bulb holder interior	2		
B25	K.26784	Bulb – 12 v 6 w	2		
	9732086 s/d 9772086	Screw – Sidelamp fixing	6		

ELECTRICAL EQUIPMENT

Plate Ref.	Part Number	DESCRIPTION	No. per Veh.	REMARKS
		LAMPS – continued		
	5060219	LAMP – FLASHER – SIDE – Type L617	2	Fitted as standard equipment from Chassis No.: KC.015178 CKD KC.701235 but prior to Chassis No. KCH.3023-320324
B26	5039475	Lens – Assembly	2	
B27	5039476	Rubber – Lens seating	2	
	5039514	Nut – Lens fixing	4	
B28	5039467	Backplate assembly	2	
B29	5039469	Bulb – 12 v 21 w	2	
B30	1046996	Base – Rubber – Lamp seating	2	
	9734104 s/d 9774106	Screw – Flasher lamp fixing	4	
	9020048	Nut – Spire	4	
		No longer supplied		
	73112439	LAMP – FLASHER – SIDE	2	Fitted from Chassis No. KCH.3023-320324
	75062572	Lens	2	
	5039469	Bulb	2	
	9774083	Screw	4	
	9020048	Nut	4	
	P.41405	Connector	2	
	P.40883	Connector	2	
	1800009	LAMP – STOP TAIL – Type L594	2	Fitted prior to Chassis No. KCH.3023-320324
B31	5039474	Glass	2	
B32	K.20617	Rim	2	
B33	K.29738	Body (Rubber)	2	
B34	K.24924	Holder – Bulb – Interior	2	
B35	K.26781	Bulb – 12 v 6/21 w – Double filament	2	
	9732086 s/d 9772086	Screw – Stop tail lamp fixing	6	
	9020010 s/d 9020034	Nut – Spire	6	
	75062879	LAMP – STOP TAIL – Type L692	2	Fitted from Chassis No. KCH.3023-320324
	77080522	Lens	2	
	5039493	Gasket – Lens seating	2	
	K.26781	Bulb	2	
	1800439	Sleeve – Terminal	2	
	9774083	Screw	4	
	9020048	Nut	4	
	P.45646 s/d 73111650	LAMP – FLASHER – REAR – Type L585	2	Fitted as standard equipment from Chassis No.: KC.015178 CKD KC.701235 but prior to Chassis No. KCH.3023-320324
B36	K.26066 s/d 75062546	Lens – Assembly	2	
B37	K.28721	Screw – Lens fixing	4	
B38	9122009	Washer	4	
	K.26067	Gasket – Lens seating	2	
	K.26068	Holder – Bulb	2	
	K.26796	Bulb – 12 v 21 w	2	
		No longer supplied		
		No longer supplied		
	73111650	LAMP – FLASHER – REAR	2	Fitted from Chassis No. KCH.3023-320324
	75062546	Lens	2	
	K.26068	Holder – Bulb	2	
	K.26796	Bulb – 12v 21w	2	
	9734104 s/d 9774106	Screw – Flasher lamp fixing	4	
	9020048	Nut – Spire	4	
	3020642	Support – Flasher lamp (Not required on Van)	2	
	39033101	Screw – Lamp to support	4	
	9660123 s/d 79660123	Washer – Spring	4	
	9600522	Nut	4	

ELECTRICAL EQUIPMENT

Plate Ref.	Part Number	DESCRIPTION	No. per Veh.	REMARKS	
		LAMPS – continued			
	1800235	REFLECTOR – REAR	2		
	1800010	LAMP – NUMBER PLATE – Type L534	1		
B39	K.26168 s/d 75062545	Glass	1	} Not required when Rear Recess Step fitted	
B40	5039477	Cover	1		
B41	P.42213	Screw – Cover retaining	2		
	9122009	Washer	2		
B42	5039478 s/d K.26170	Gasket – Glass seating	1		
	K.26171	Holder – Bulb – Interior	1		
B43	K.26780	Bulb – 12 v 4 w	1		
B44	K.26172 s/d 5042415	Grommet – Cable entry	1		
B45	3018149	Grommet – Number plate lamp support – No longer supplied	1		
	39103080 s/d 39113081	Screw – Number plate lamp fixing – Van	2		
	39103160 s/d 39113161	Screw – Number plate lamp fixing – Cab and Chassis	2		
	9067008	Washer – Plain	2		
	9660123 s/d 79660123	Washer – Spring	2		
	9510031 s/d 79510031	Nut	2		
	P.41557	Connector – Number plate lamp cables – Van	1		
	P.45146	LAMP – NUMBER PLATE – Type L554	1		} Required when "Rear Recess Step" fitted
	K.24632	Cover	1		
	K.24633	Glass	1		
	K.24634	Body – Rubber	1		
	K.24635	Holder – Bulb	1		
	K.29052	Bulb – 12 v 6 w – DP	1		
	39073120	Screw – Number plate lamp fixing	2		
	9020203	Nut – Spire	2		
B46	1800001	LAMP – INTERIOR ROOF	2	} Van – See Note 2 – Page Q24	
B47	5039248	Lens	2		
	5039260	Circlip – Lens retaining	2		
	K.26784	Bulb – 12 v 6 w	2		
	9050028	Screw – Lamp fixing	4		
	9660081	Washer – Spring	4		
	9600541 s/d 9600542	Nut	4		
	9116049	Grommet – Cable through lamp support – No longer supplied	3		
	1800364	LAMP – INTERIOR ROOF – FRONT	1		
	1800365	LAMP – INTERIOR ROOF – REAR	1		
	5039248	Lens	2	} Van – See Notes 3 and 34 – Pages Q24 and Q27	
	5039260	Circlip – Lens retaining	2		
	K.26784	Bulb – 12 v 6 w	2		
	5240464	Rivet – Lamp fixing	4		
	73113248	LAMP – INTERIOR ROOF – FRONT	1	} Van See Note 35 – Page Q27	
	73111560	LAMP – INTERIOR ROOF – REAR	1		
	H.97741 s/d 2217358	LAMP – INTERIOR ROOF	1	} Cab – Early condition	
	K.29024 s/d 5044740	Glass – Opaque	1		
	K.26795	Bulb – 12 v 6 w – Festoon	1		
	9732125	Screw – Lamp fixing	2		
	9020000 s/d 5220709	Nut – Spire	2		
	2217358	LAMP – INTERIOR ROOF	1	} See Note 36 – Page Q27	
	K.26795	Bulb – 12 v 6 w – Festoon	1		
	9732125	Screw – Lamp fixing	2		
	9020000 s/d 5220709	Nut – Spire	2		
	73113248	LAMP – INTERIOR – ROOF	1	} Cab – See Note 37 – Page Q27	
		LAMP – DRIVING			
		LAMP – FOG			
		LAMP – REVERSING			
				} See Special Accessories	

ELECTRICAL EQUIPMENT

Plate Ref.	Part Number	DESCRIPTION	No. per Veh.	REMARKS
SWITCHES AND CONTROLS				
A48	1800175	SWITCH – SCREEN WIPER – Type 57SA	1	} Fitted after Chassis No. 301368 CKD 803669/72
	1800175	SWITCH – PANEL LIGHT – Type 57SA	1	
	9227125	Connector – In line (When panel light switch is not fitted)	1	
A49	5037674	SWITCH – IGNITION – LIGHTING – Type PRS3	1	} When ordering always quote number stamped on lock
A50	K.22199	Knob – Ignition and lighting switch	1	
A51	P.45185 s/d 5220790	Lock – Barrel – F.P. series	1	} Diesel
	5220790	Lock – Barrel – F.S. series	1	
A52	9101011	Plug – Lighting switch	1	} Diesel 6055 only
	1205021	SWITCH – STARTER – HEATER – AUXILIARY .. 70SA	1	
	1205022	Plate – Escutcheon – Switch	1	
	1046474	Cap – Starter switch – Rubber	1	} From Chassis No. KC.014676 CKD KC.701148
A53	W.14082	HORN PUSH – Type CC5	1	
A54	W.14186	Spring – Horn push button	1	} Petrol
A55	K.25035	Clip and fixing screw (3 off each)	1 set	
	W.14084 s/d 3026046	Contact brush – Assembly	1	} KAH 30/40 only, when specified by Associated British Foods (Pre-Engaged Starter)
A56	3026046	Contact brush – Assembly	1	
A57	1800014	Ring – Slip – Assembly	1	} Not supplied
C58	P.44685	SWITCH – STARTER – Type ST19	1	
C59	P.44885	Coupling – Starter switch	1	} Not supplied
	W.15319	Bracket – Starter switch	1	
	1046630 s/d 71046630	Switch – Starter and ignition – Type 47SA	1	} KAL 3023 – Ambulance Special order KCH 30/40 models
	71046630	Switch – Starter and ignition	1	
	9101011	Plug – Switch box	1	
	1046629 s/d 1801573	Solenoid – Starter switch – 12 v – KAL 2ST	1	} Not supplied
	1801573	Solenoid – Starter switch – 12 v – KCL 4ST	1	
	3018389	Bracket – Solenoid support No longer supplied	1	
	1800027 s/d 1205458	Switch – Panel	1	
	3018390	Cable assembly No longer supplied	1	
	39033120	Screw – Solenoid starter switch to support bracket	2	
	9660123	Washer – Spring	2	
	9068008	Washer – Plain	1	
	9600521	Nut	2	
	19506051 s/d 5220685	Setscrew	1	
	9660243	Washer – Spring	1	
	9510061 s/d 5221351	Nut	1	
	9116041	Button – Blanking – Panel – Starter control	1	
		CONTROL ASSEMBLY – STARTER – PETROL – R.H.D.		} Not supplied
A60	5039461	Knob and wire	1	
A61	5039462	Body and tube	1	} Not supplied
		Control assembly – Starter – Petrol – L.H.D.		
	5039463 s/d K.25968	Knob and wire	1	
	K.25968	Knob and wire	1	
	5039464	Body and tube	1	

ELECTRICAL EQUIPMENT

Plate Ref.	Part Number	DESCRIPTION	No. per Veh.	REMARKS
		SWITCHES AND CONTROLS – continued		
	1801389	SWITCH – BRAKE STOPLIGHT	1	
	1801409	SWITCH – Stop light – Handbrake	1	
	1800007 s/d 1802269	SWITCH – BRAKE VACUUM	1	See Note 4 Page Q24
B62	1802269	Switch – Brake vacuum	1	KC Models Standard : KAD/KAV 30/40 Special order only
	1800061 s/d 1801233	SWITCH – FLASHER – Type 98SA	1	
A63	1801233	Switch – Flasher – Type 90SA	1	See Notes 5 and 7 } See Notes 6 and 7 } Page Q24 See Note 7 }
A64	3050596	Housing – Flasher switch	1	
	39033160	Screw – Clamp to housing	2	
	3018534	Tube – Column switch cables	1	
	1800060 s/d 1801232	SWITCH – DIPPER – Type 90SA	1	See Note 5 Page Q24
A65	1801232	Switch – Dipper – Type 90SA	1	See Note 6 Page Q24
A66	3050595	Housing – Dipper switch	1	
A67	3018533	Clamp – Dipper switch	1	No longer supplied
	1046950 s/d 1046951	UNIT – OIL PRESSURE	1	Not required when flashers fitted
B68	1046951	Unit – Oil pressure	1	
	9217324	Adaptor – Oil pressure unit	1	6 Cylinder Petrol Engine
	9077602	Washer	1	
	3019649	Adaptor – Oil pressure unit	1	KAD, KAV, KCV
	9077024	Washer – Copper	1	

ELECTRICAL EQUIPMENT

Plate Ref.	Part Number	DESCRIPTION	No. per Veh.	REMARKS	
MOTOR - STARTER - PETROL MODELS					
C69	P.45665	MOTOR - STARTER - Type M418G	1	} KAH models Prior to Engine Nos. :- SPSM 924, SPM 1180. KAL, KCL models	
C70	K.21216	Bracket-Assembly-Commutator end .. No longer supplied	1		
	K.13863	Bush	1		
C71	K.11330	Brushes (1 pair)	2		
C72	5057773	Spring set - Brush	1		
	K.21217	Bracket assembly - Drive end No longer supplied	1		
	K.11454	Bush	1		
	K.7679	Band cover - Assembly	1		
C73	K.11333	Pinion and sleeve - Assembly	1		
C74	K.11146	Spring - Pinion retaining	1		
C75	K.812	Spring - Main	1		
C76	K.813	Nut - Armature shaft	1		
#	1800701	MOTOR - STARTER - Type M418G	1		} KAH, KCH models from Engine Nos. : SPSM 924 SPM 1180 but prior to Chassis No. KCH 3023-321123
	K.21216	Bracket assembly - Commutator end .. No longer supplied	1		
	K.13863	Bush	1		
	K.11330	Brushes (1 pair)	2		
	5057773	Spring set - Brush	1		
	K.21217	Bracket assembly - Drive end No longer supplied	1		
	K.11454	Bush	1		
	K.7679	Band cover - Assembly	1		
	5042338	Pinion and sleeve assembly	1		
	K.11146	Spring - Pinion retaining	1		
	5042337	Spring - Main	1		
	K.813	Nut - Armature shaft	1		
	75060972	Coil - Field	1		
	75060999	Armature	1		
	75060998	Bolt - Through fixing	2		
#	71802836	MOTOR - STARTER - Type 2M100	1	} KCH models from Chassis No. KCH 3023-321123	
	75063495	Brush kit	1		
	75063070	Bush kit	1		
	5042337	Main spring	1		
	5042338	Pinion and sleeve assembly	1		
	75063072	Bolt - Through - Kit	1		
		MOTOR - STARTER - Type M418G		} Not supplied } Pre - Engaged Starter Motor for 4 Cylinder Petrol models only when specified by Associated British Foods (Replaces 1800701)	
	5043456	Cover band	1		
	5043457	Screw - Cover fixing	1		
	K.11330	Nut	1		
		Brushes (Set)			
		Bracket - Commutator end			
		Brush			
		Spring (Set)			
		Bracket - Fixing			
		Bush			
		SWITCH - STARTER		} See Switches See Engine Units	
		FIXINGS - STARTER MOTOR			

ELECTRICAL EQUIPMENT

Plate Ref.	Part Number	DESCRIPTION	No. per Veh.	REMARKS
MOTOR – STARTER – DIESEL MODELS				
C77	P.45901 s/d 75061207	MOTOR – STARTER – Type M45G	1	KAD, KAV, KCV Diesel models. Check type fitted when ordering component parts
	K.26230	Band cover – Assembly No longer supplied	1	
	5039470	Bracket assembly – Commutator end	1	
	K.13863	Bush	1	
	5037790	Spring set – Brush	1	
C78	K.26231	Brushes (Set)	1	
C79	5037478	Drive assembly	1	
	K.26235	Sleeve and bush	1	
C80	5037479	Pinion and barrel	1	
C81	K.26233	Clutch plate (Set)	1	
C82	5039471	Bracket assembly – Drive end	1	
	9200130	Bush	1	
C83	5039513 s/d 5058232	Bolt – Through fixing	2	
C84	K.29619	Solenoid assembly	1	
MOTOR – STARTER – M45G				
	75061207	MOTOR – STARTER – M45G	1	KAD, KAV, KCV Diesel models. Roller clutch type starter – Check type fitted before ordering component parts
	K.26230	Band – Cover No longer supplied	1	
	5043456	Screw – Band fixing No longer supplied	1	
	5043457	Nut No longer supplied	1	
	K.26231	Brush – Set	2	
	75061687	Bracket – Commutator end	1	
	75061688	Bush – Bearing	1	
	5037790	Spring – Set	1	
	75061689	Shoe – Brake	2	
	75061690	Spring – Brake shoe	2	
	75061691	Pin – Shaft – Brake	1	
	75061678	Drive – Roller clutch	1	
	75061679	Bracket – Drive end	1	
	75061694	Bush – Bearing – Drive end bracket	1	
	75061681	Bush – Bearing – Intermediate bracket	1	
	75061682	Ring – Retaining	1	
	75061683	Washer – Thrust – C.E. end (Steel)	1	
	75061684	Washer – Thrust – C.E. end (Fabric)	1	
	75061680	Armature	1	
	75061686	Solenoid	1	
	5051523	Coil – Field	1	
	5058232	Bolt – Through fixing	2	
MOTOR – STARTER – Type M45G				
	1800015 s/d 71802695	MOTOR – STARTER – Type M45G	1	KAB, KCB models – Fitted prior to Chassis No. KCB 302131
	K.26230	Band cover – Assembly No longer supplied	1	
	5039470	Bracket assembly – Commutator end	1	
	K.13863	Bush	1	
	5037790	Spring set – Brush	1	
	K.26231	Brushes (Set)	1	
	5039472	Drive assembly	1	
	K.26235	Sleeve and bush	1	
	5037479	Pinion and barrel	1	
	K.26233	Clutch plate (Set)	1	
	5039473	Bracket assembly – Drive end	1	
	9200130	Bush	1	
	5051516	Armature	1	
	5051523	Coil – Field set	1	
	5039513 s/d 5058232	Bolt – Through fixing	2	
	K.29619	Solenoid assembly	1	
		SWITCH – STARTER		See Switches
		FIXINGS – STARTER MOTOR		See Engine Units

ELECTRICAL EQUIPMENT

Plate Ref.	Part Number	DESCRIPTION	No. per Veh.	REMARKS	
		MOTOR - STARTER - DIESEL MODELS - continued			
	71802695	MOTOR - STARTER - Type M45G	1	KCB models - Fitted on and after Chassis No. KCB 302131	
		Band cover - Assembly Not supplied	1		
	5058232	Bolt - Through fixing	2		
	75061687	Bracket assembly - Commutator end	1		
	75061688	Bush	1		
	5037790	Spring set - Brush	1		
	K.26231	Brushes - Set	1		
	75061689	Shoe - Brake	2		
	75061690	Spring - Brake shoe	2		
	75061691	Pin-shaft - Brake	1		
	75062471 s/d 75062652	Drive - Roller clutch	1		
	75062472	Bracket - Drive end	1		
	75061694	Bush	1		
	75061681	Bush - Bracket - Intermediate	1		
	75061682	Ring - Retaining	1		
	75061683	Washer - Thrust - Commutator end - Steel	1		
	75061684	Washer - Thrust - Commutator end - Fabric	1		
	75061680	Armature	1		
	75062473	Solenoid	1		
	5051523	Coil - Field	1		
	5040664	MOTOR - STARTER - Type M45G	1		KAF, KCF models - See Note 29 Page Q26
	5051519	Band cover - Assembly No longer supplied	1		
	5039470	Bracket assembly - Commutator end	1		
	K.13863	Bush	1		
	5037790	Spring set - Brush	1		
	K.26231	Brushes (Set)	1		
	5039472	Drive assembly	1		
	K.26235	Sleeve and bush	1		
	5037479	Pinion and barrel	1		
	K.26233	Clutch plate (Set)	1		
	5040673	Bracket assembly - Drive end No longer supplied	1		
	9200130	Bush	1		
	5051516	Armature	1		
	5051523	Coil - Field set	1		
	5039513 s/d 5058232	Bolt - Through fixing	2		
	K.29619	Solenoid assembly	1		
	71802766	MOTOR - STARTER - Type 45G - Pre-engaged	1	KCF models - See Note 30 Page Q26	
	5051519	Band - Cover assembly No longer supplied	1		
	5058232	Bolt - Through	2		
	K.26231	Brushes - Set	1		
	75061687	Bracket - Commutator end	1		
	75062613	Bush - Bearing	1		
	5037790	Spring set - Brush tension	1		
	75062577	Brake shoe - Kit	1		
	75063585	Drive assembly	1		
	75061693	Bracket - Drive end	1		
	75062613	Bush - Bearing	1		
	75062613	Bush - Bearing - Bracket - Intermediate	1		
	75062615	Ring - Retaining - Assembly	1		
	75061685	Armature	1		
	75062460	Solenoid	1		
		SWITCH - STARTER		See Switches	
		FIXINGS - STARTER MOTOR		See Engine Units	

ELECTRICAL EQUIPMENT

Plate Ref.	Part Number	DESCRIPTION	No. per Veh.	REMARKS
		DYNAMO		
C85	1046668	DYNAMO – Type C40/1	1	KAD, KAH, KAL models – Standard Prior to Note 10 Page Q24
C86	5037543	Brushes (set of 2)	1	
	75060849	Bracket – Commutator end	1	
	5059371	Bush – Bearing	1	
	5039250	Oiler	1	
C87	5037544	Spring – Brush set	1	
	75060848	Bracket – Drive end	1	
	75060780	Circlip	1	
	5043510	“O” Ring – Oil seal	1	
	9188002	Bearing – Drive end	1	
	5030868	Nut – Shaft	1	
	75060850	Armature	1	
	75060851 s/d 75062559	Coil – Field set	1	
	75060657	Terminal set – Lucar	2	
	75060852	Bolt – Through fixing	2	
	1046953	DYNAMO – Type C45 PV/6	1	KAB models prior to Note 8 Page Q24
	5038956	Brush set No longer supplied	1	
	5037376	Brush spring set	1	
	9188004	Bearing – Drive end	1	
	9200042	Bushing – Commutator bracket No longer supplied	1	
	5030235	Oiler No longer supplied	1	
	1800396	DYNAMO – Type C42	1	KAL – 3023 – Ambulance
	5038941	Brush set	1	
	5037544	Brush spring set	1	
	9188002	Bearing – Drive end	1	
	5039250	Oiler	1	
	5030868	Nut – Armature shaft	1	
	5038807 s/d 75060657	Terminal set – Lucar	1	
	1205501	DYNAMO – Type C40L	1	KAD, KAH, KAL – U.S.A. and Canada only. KAB models Standard from – See Note 8 Page Q24 – See also Note 9 Page Q24 – up to Note 10 Page Q24
	5037543	Brush set (set of 2)	1	
	5050391	Bracket – Commutator end	1	
	5059371	Bush – Bearing	1	
	5039250	Oiler	1	
	5037544	Spring set – Brush	1	
	75060848	Bracket – Drive end	1	
	75060780	Circlip	1	
	5043510	“O” Ring – Oil seal	1	
	5030868	Nut – Shaft	1	
	9188002	Bearing – Drive end	1	
	5050387	Armature	1	
	5050393 s/d 75062412	Coil – Field set	1	
	75060657	Terminal set – Lucar	2	
	75061027	Bolt – Through fixing	2	
		PULLEY AND FIXINGS – DYNAMO		See Engine Units

ELECTRICAL EQUIPMENT

Plate Ref.	Part Number	DESCRIPTION	No. per Veh.	REMARKS
		CONTROL UNIT AND FUSE UNIT - DYNAMO MODELS		Prior to Note 10 Page Q24
	1800231	BOX - CONTROL - Type RB340	1	
C88	1800230 s/d 75061666	BOX - CONTROL - Type RB340	1	KAB models
	1800256 s/d 75061499	BOX - CONTROL - Type RB340	1	Ambulance
C89	5038918 s/d 5044134	Cover - Moulded	1	
	5044134 s/d 75062596	Cover - Moulded	1	
C90	5038919	Resistance - Field - 40 Ohms	1	Early condition
	5040241	Resistance - Field - 60 Ohms	1	Late condition
	5038920	Resistance - Swamp - 55 Ohms	1	
*	39033200	Screw - Control box fixing	3	No longer supplied
	9734203 s/d 9774203	Screw - Control box fixing	3	} Ambulance
	9020246	Nut - Spire	3	
*	5221352 s/d 79040102	Screw - Control box to earth	1	
	1046954 s/d 5059060	FUSE UNIT - Type 4FJ	1	
	5037982	Cover - Moulded	1	
	K.7961	Fuse - 35 amp.	2	(Box of 10)
C91	5059060	FUSE UNIT	1	
	5037982	Cover - Moulded	1	
	K.7961	Fuse - 35 amp.	2	(Box of 10)
	39033120	Screw - Fuse unit fixing	1	Early condition
	9732083	Screw - Fuse unit fixing	1	} Late condition
*	39033101	Screw - Fuse unit fixing	1	

ELECTRICAL EQUIPMENT

Plate Ref.	Part Number	DESCRIPTION	No. per Veh.	REMARKS	
ALTERNATOR SYSTEM					
	1235628 s/d 75060565	ALTERNATOR - Complete with FAN - Type 10AC	1	KAL, KCL models - See Note 10 Page Q24	
C92	75060565	Alternator - Less Fan - Type 10AC	1		
C93	5044349	Bolt - Through fixing	2		
C94	5030868	Nut - Rotor shaft	1		
	9188002	Bearing - Drive end-bracket	1		
	5043509 s/d 75060780	Circlip - Bearing	1		
	5043510	"O" Ring - Bearing	1		
C95		Bearing - Bracket - Slip ring end Not supplied			
# C96	5043626 s/d 75060927	Brush box - Bakelite	1		
C97	5043511	Brush - Spring and Lucar	2		
C98	9227111	Connector - Lucar - Cut out	1		
C99	1800892	Fan	1		
	1801231 s/d 75060735	ALTERNATOR - Complete with FAN - Type 10AC	1		KAH, KCH, KAV, KCV, KAB, KCB, KAF, KCF models - See Note 10 Page Q24
	5044349	Bolt - Through fixing	3		
	5030868	Nut - Rotor shaft	1		
	9188002	Bearing - Drive end-bracket	1		
	5043509 s/d 75060780	Circlip - Bearing	1		
	5043510	"O" Ring - Bearing	1		
		Bearing - Bracket - Slip ring end Not supplied			
#	5043626 s/d 75060927	Brush box - Bakelite	1		
	5043511	Brush - Spring and Lucar	2		
	9227111	Connector - Lucar - Cut-out	1		
	1800892	Fan	1		
#	75060735	ALTERNATOR - Less Fan - Type 10AC	1	KAH, KCH, KAV, KCV, KAB, KCB, KAF, KCF models - See Note 38 Page Q27	
	75060926	Bearing kit - Drive end	1		
	75060927	Brush box - Assembly	1		
	5043511	Brush - Spring and Lucar	2		
	75060928	Bearing kit - Slip ring end	1		
	5044349	Bolt - Through fixing	3		
	1800892	FAN	1		
#	75062553	ALTERNATOR - Less fan - Type 17ACR	1	KCH and KCB models - See Note 39 Page Q27	
	75062554	Cover	1		
	75062449	Regulator	1		
	75061613	Rectifier	1		
	75062555	Bearing kit - Drive end	1		
	75062642	Slip ring	1		
	75061615	Bearing kit - Slip ring end	1		
	75061614	Brush set	1		
	75062556	Bolt - Fixing	3		
	5060053	Fan	1		
#	75062688	ALTERNATOR - Less Fan - Type 17ACR - 23648.. ..	1	KCF models - Check type fitted	
	75062554	Cover	1		
	75062449	Regulator	1		
	75061613	Rectifier	1		
	75062555	Bearing kit - Drive end	1		
	75062642	Slip ring	1		
	75061615	Bearing kit - Slip ring end	1		
	75061614	Brush set	1		
	75062556	Bolt - Fixing	3		
#	5060053	Fan	1		

ELECTRICAL EQUIPMENT

Plate Ref.	Part Number	DESCRIPTION	No. per Veh.	REMARKS
C100	9213004	Key - Pulley to alternator	1	See Engine Auxiliaries Section
# C101	1800744	ALTERNATOR FIXINGS BOX - ALTERNATOR CONTROL - Type 4TR	1	
#	39033101	Screw - Control unit to support plate	2	See Note 10 Page Q24
#	9660123 s/d 79660123	Washer - Spring	2	
#	9600521	Nut	2	See Note 10 Page Q24
# C102	1800746	RELAY - FIELD ISOLATING - Type 6RA	1	
#	39033101	Screw - Relay to support plate	1	See Note 10 Page Q24
#	9660123 s/d 79660123	Washer - Spring	1	
#	9600521	Nut	1	See Note 10 Page Q24
#	9732083	Screw - Earth	1	
# C103	1800745	CONTROL - WARNING LIGHT - Type 3AW	1	See Note 10 Page Q24
#	39601161 s/d 39611161	Screw - Warning light control to support plate	1	
#	39311081	Screw - Socket on harness	1	No longer supplied
#	9660093 s/d 9661093	Washer - Spring	1	
#	9068005	Washer - Plain	2	No longer supplied
#	9510011	Nut	1	
	3022240	PLATE - SUPPORT - CONTROL UNIT - No longer supplied	1	See Note 10 Page Q24
#	1046954 s/d 5059060	FUSE UNIT - Type 4FJ	1	(Box of 10)
	5037982	Cover - Moulded	1	
	K.7961	Fuse - 35 amp.	2	(Box of 10)
#	5059060	FUSE UNIT - Type 5FJ	1	
	5037982	Cover - Moulded	1	(Box of 10)
#	K.7961	Fuse - 35 amp	1	
#	39033101	Screw - Fuse unit fixing	1	(Box of 10)
#	9732083	Screw - Fuse unit fixing	1	

Not required when 17 ACR Alternator fitted

ELECTRICAL EQUIPMENT

Plate Ref.	Part Number	DESCRIPTION	No. per Veh.	REMARKS	
		IGNITION - PETROL			
	1214177 s/d 1215510	DISTRIBUTOR - Type DM2	1	Early condition KAH models	
	P.34868	Arm - Rotor	1		
	K.25986	Contact set	2		
	K.25987	Condenser - Assembly	1		
	K.25506	Plate assembly - Clamping	1		
	K.23440 s/d 5040629	Cover assembly - Top	1		
	5040629	Cover assembly - Top	1		
	K.22438	Carbon and spring	1		
	5037524	Clip - Top cover	2		
	K.22439	Dog - Driving No longer supplied	1		
	5037984	Vacuum unit	1		
C104	1215510 s/d 1238547	DISTRIBUTOR - Type 25D4	1		Late condition KAH models with "Screw-on" Vacuum connection - Fitted prior to Engine Nos.: SPM 2304, SPM 2366
C105	P.34868	Arm - Rotor	1		
C106	K.25986	Contact set - See Note 26 - Page Q26	1		
	75062075	Contact set - See Note 26 - Page Q26	1		
	75062076	Plate - Contact breaker base - See Note 26 - Page Q26	1		
C107	K.25987	Condenser assembly	1		
C108	K.25506	Plate assembly - Clamping	1		
C109	5040629	Cover Assembly Top	1		
	K.22438	Carbon and spring	1		
	5220172	Nut - Terminal	5		
	P.44927	Washer - Terminal No longer supplied	5		
	5040609	Terminal - Bush and lead - Low tension	1		
C110	5037524	Clip - Top cover	2		
C111	K.22439	Dog - Driving No longer supplied	1		
C112	5037984	Vacuum unit	1		
	75060976	Spring set - Auto advance	1		
	75060865	Weight	2		
	75060977	Plate - Shaft and action	1		
	1238451 s/d 1238547	DISTRIBUTOR - Type 25D4	1	KAH, KCH models with "Push-on" Vacuum connection Fitted - from Engine Nos.: SPM 2304, SPSM 2366	
	1238547	Distributor - Type 25D4	1		
	P.34868	Arm - Rotor	1		
	K.25986	Contact set - See Note 26 - Page Q26	1		
	75062075	Contact set - See Note 26 - Page Q26	1		
	75062076	Plate - Contact breaker base - See Note 26 - Page Q26	1		
	K.25987	Condenser assembly	1		
	K.25506	Plate assembly - Clamping	1		
	5040629	Cover assembly - Top	1		
	K.22438	Carbon and spring	1		
	5037524	Clip - Top cover	2		
	K.22439	Dog - Driving No longer supplied	1		
	5040848	Vacuum unit	1		
	75060976	Spring set - Auto advance	1		
	75060865	Weight	2		
	75060977	Plate - Shaft and action	1		
	<i>NZ Walk Thru:</i>	<i>Dist 25D4/41046</i>			
	<i>Lucas</i>	<i>Vac unit 54414517</i>			
	<i>"</i>	<i>Spring set 416159</i>			
	<i>"</i>	<i>Dist cam 421299</i>			

ELECTRICAL EQUIPMENT

Plate Ref.	Part Number	DESCRIPTION	No. per Veh	REMARKS	
	1208684 s/d 1217935	IGNITION - PETROL - continued			
	K.22204	DISTRIBUTOR - Type DM6	1	Early condition - KAL models - Screwed Vacuum connection	
	K.24107	Arm - Rotor	1		
	K.25987	Contact set	1		
	K.25506	Condenser assembly	1		
	K.22205	Plate assembly - Clamping	1		
	K.22438	Cover assembly - Top	1		
	5220172	Carbon and spring	1		
	P.44927	Nut - Terminal	7		
	5037524	Washer - Terminal	7		No longer supplied
	5037985	Clip - Top cover	1		
	5038408	Dog - Driving	1		
	9227107	Vacuum unit	1		
		Connector - Lucar	1		
C113	1217935	DISTRIBUTOR - Type 25D6	1	Late condition - KAL models with "Screw-on" High Tension Cables and Push-on Vacuum connection - See Note 11 Page Q25	
C114	K.22204	Arm - Rotor	1		
C115	K.25986	Contact set	1		
C116	K.25987	Condenser assembly	1		
C117	K.25506	Plate assembly - Clamping	1		
C118	5040630	Cover assembly - Top	1		
C119	K.22438	Carbon and spring	1		
C120	5220172	Nut - Terminal	7		
	P.44927	Washer - Terminal	7		No longer supplied
	5040609	Terminal - Bush and lead - Low tension	1		
C121	5040631	Clip - Top cover retaining	2		
C122	5037985	Dog - Driving	1		
C123	5041006	Vacuum unit	1		
	75061702	Spring set - Auto advance	1		
	75060865	Weight	2		
	75060866	Plate - Shaft and action	1		
	1229686	DISTRIBUTOR - Type 25D6	1	KAL, KCL models with "Push- on" High Tension cables - See Note 12 Page Q25	
	K.22204	Arm - Rotor	1		
	K.25986	Contact set	1		
	K.25987	Condenser assembly	1		
	5043708	Plate assembly - Clamping	1		
	5043710	Cover assembly - Top	1		
	K.22438	Carbon and spring	1		
	5040609	Terminal - Bush and lead - Low tension	1		
	5040631	Clip - Top cover retaining	2		
	5037985	Dog - Driving	1		
	5041006	Vacuum unit	1		
	75061702	Spring set - Auto advance	1		
	75060865	Weight	2		
	75060866	Plate - Shaft and action	1		
	1801109 s/d 5059822	IGNITION COIL - Type HA12	1	See Note 11 Page Q25	
	K.12519 s/d 9227201	Nut - Terminal	1		
	P.44927	Washer - Terminal	1		No longer supplied
	1801188 s/d 5059822	COIL - IGNITION - Type HA12	1	See Note 12 Page Q25	
	5059822	Coil - Ignition - Type HP12	1		
	9227111	Connector - Lucar - Ignition coil - Male	2		
	9227049 s/d 9227041	PLUG - SPARKING	4	Early Condition } Intermediate } KAH, KCH Condition } models Late Condition }	
	P.41121 s/d 9077608	Washer	4		No longer supplied
	9227015	Plug - Sparking	4		
	9227026	Plug - Sparking	4		
	9227064 s/d 9227025	Plug - Sparking	6	Early Condition } KAL, KCL Late Condition } models	
	9227026	Plug - Sparking	6		

ELECTRICAL EQUIPMENT

Plate Ref.	Part Number	DESCRIPTION	No. per Veh.	REMARKS
		IGNITION – PETROL – continued		
	P.100892	CABLE – HIGH TENSION	A/R	} KAH models – Early condition – See Note 13 Page Q25
	P.44783	Resistor – Sparking plug (Home models only)	4	
	9119506	Grommet – Ignition coil cable .. No longer supplied	1	
	P.42712	Terminal – Cable No longer supplied	4	
	1218628	Cable – Ignition – No. 1, No. 3 and No. 4	1	} KAH models – Late condition – See Note 14 Page Q25
	1218629	Cable – Ignition – No. 2	1	
	1218631	Cable – High tension – Coil to distributor No longer supplied	1	
	1235107	Cable – High tension – Coil to distributor	1	} KAH, KCH models – Used with Coil introduced for KAL models – See also Note 12 Page Q25
	5220368	Cable – Kit – Ignition (Engine set)	1	} KAL models – See Notes 11 and 15 Page Q25
	5220932	Cable – Kit – Ignition (Engine set)	1	} KAL, KCL models – See Notes 12 and 15 Page Q25
	3017721	CABLE – LOW TENSION – COIL TO DISTRIBUTOR ..	1	

ELECTRICAL EQUIPMENT

Plate Ref.	Part Number	DESCRIPTION	No. per Veh.	REMARKS
BATTERIES				
	P.45180	BATTERY (12 volt) – DRY – Type BT11A – Not supplied ..	1	Petrol models } Alternatives for Diesel models
	P.44424 s/d P.45601	Battery (6 volt) – Dry – Type STXWT-19E	2	
	P.45601 s/d 1802490	Battery (6 volt) – Dry – Type STXT19E	2	
	1802490	Battery (6 volt) – Dry – Type EX19T – Not supplied	2	
		TRAY – BATTERY		} See Body, Cab and Front End Section
		Tray fixing – Battery		
# B125	1046994	FLASHER UNIT – Type FL5	1	} Fitted as Standard Equipment from Chassis Nos. : KC.015178 CKD KC.701235 but prior to Chassis Nos. of Note 39 Page Q27
#	1801585	Flasher unit – Type FL8	1	
#	1241412	Clip	1	} Fitted on and after Chassis Nos. of Note 39 Page Q27
#	9143052	Rivet	1	
#	1800233 s/d 1801115	HORN – LOW NOTE – Type 9H	1	} Fitted prior to Chassis Nos. of Note 39 Page Q27
#	1801115 s/d 75063553	Horn – Low Note – Type 9H – Less bracket	1	
#	3018068	Support – Horn	1	
#	73113252	HORN – Low note – Type 6H	1	} KCB, KCF, KCT1 and KCU1 models – KCH models – Fitted on and after Chassis Nos. of Note 39 Page Q27
#	73113254	HORN – Low note – Type 6H	1	
#	9178509	Clip	3	
#	19504052 s/d 79040105	Screw – Horn fixing	A/R	
#	9067097	Washer – Plain	A/R	
#	9660163 s/d 79660163	Washer – Spring	A/R	
#	9510041	Nut	A/R	
WIPER – WINDSCREEN				
# A126	1800011	MOTOR – WIPER – WINDSCREEN – Type DR2	1	No longer supplied
#	75061637 s/d 75063570	Motor – Wiper – Windscreen – Type DR3A	1	
#	75063570	Motor – Wiper – Windscreen – Less gear – See Note	1	
#	75063571	Gear assembly – Wiper motor	1	
	5038056	Rack – Crosshead	1	Used only with DR2 motor Use only with DR3 motor
A127	5043431 s/d 75060930	Rack – Crosshead	1	
	3050039	Casing – Outer – R.H.	1	
A128	3050038	Casing – Outer – L.H.	1	
	P.44930 s/d 5060184	Casing – Outer – End	2	
	5060184	Casing – Outer – End	2	
A129	1800012 s/d 75062502	Wheel box – Assembly – Less bushes	2	
A130	P.45645	Nut – Front fixing	2	
A131	5039515	Bush – Front	2	
A132	5037835 s/d 75062503	Bush – Rear	2	
	75062503	Bush kit – Front and rear	1	
# A133	5039468 s/d 75062547	Arm – Wiper – Stainless steel	2	} Alternatives
A134	5038059 s/d 75061601	Blade – Silver grey	2	
	5038859 s/d 75061601	Blade – Stainless steel	2	
A135	5037870	Channel assembly – Rubber	2	
A136	5220189	Cap – End	2	
		WIPER FIXINGS – WINDSCREEN		} See Body, Cab and Front End Sections
		NOTE. Service purpose only this Motor is supplied "Less gear".		

ELECTRICAL EQUIPMENT

Plate Ref.	Part Number	DESCRIPTION	No. per Veh.	REMARKS
		CABLES, CLIPS, GROMMETS AND CONNECTIONS		
	3050034	HARNESS - CABLE - FRONT END	1	KA Petrol models KC Petrol models - See Note 38 Page Q27
	3060543	Harness - Cable - Front end	1	
*	73113347	Harness - Cable - Front end	1	KCH models - See Note 39 Page Q27
	3059764	Harness - Cable - Front end	1	See Note 16 Page Q25
	3052694	Harness - Cable - Front end - Dynamo	1	{ KA-D/B - Home models only
	3050033 s/d 3053274	Harness - Cable - Front end - Dynamo	1	
	3053274	Harness - Cable - Front end - Dynamo	1	{ KA-D/B - Export only KAB - Export KAD - Export - See Note 17 Page Q25
	3058001	Harness - Cable - Front end - Alternator	1	
	3077319	Harness - Cable - Front end - Alternator	1	{ KA/C-B/V - See Note 18 Page Q25
	3060542 s/d 73065197	Harness - Cable - Front end - Alternator	1	
	3078277 s/d 73081085	Harness - Cable - Front end - Alternator	1	
*	73065197	Harness - Cable - Front end - Alternator	1	KAF models KC-B/V models } See Note 24 KCF models } Page Q26
*	73081085	Harness - Cable - Front end - Alternator	1	
*	73113348	Harness - Cable - Front end	1	KC-B/V models } See Notes KCF models } 25 and 38 Pages Q26 and 27
*	73113349	Harness - Cable - Front end	1	
*	3018433	HARNESS - CABLE - CHASSIS - STANDARD	1	KCB models - See Note 39 Page Q27 KCF models { KAH/KAL 30/40/6035 KA-D/V/B-30/40 Standard
	3018434	Harness - Cable - Chassis - Standard	1	
	3023919	Harness - Cable - Chassis - Standard - No longer supplied	1	{ KA-D/V/B-30/40 KAB 6035 when Servo fitted
	3023921	Harness - Cable - Chassis - Standard - No longer supplied	1	
	3025454	Harness - Cable - R.H.D. - Chassis - Standard	1	KAL 6055 models KAF 6055 models
	3025455	Harness - Cable - L.H.D. - Chassis - Standard	1	
	3025456	Harness - Cable - Chassis - Standard	1	{ KC 30/40 models } See Note 19
*	3018063	Harness - Cable - Chassis No longer supplied	1	
*	3018347	Harness - Cable - Chassis	1	KC 6055 models } Page Q26 KA-H/L/D/V 30/40/6035 KAB-30/40-6035
*	3023920	Harness - Cable - Chassis - With flashing indicators	1	
*	3023922	Harness - Cable - Chassis - With flashing indicators	1	KAL 6055 } No longer KAF 6055 } supplied
*	3025458	Harness - Cable - Chassis - R.H.D.	1	
*	3025459	Harness - Cable - Chassis - L.H.D.	1	KC 30/40 - See Notes 20 and 38 Pages Q26 and Q27
*	73027798	Harness - Cable - Chassis - R.H.D.	1	
*	73027799	Harness - Cable - Chassis - L.H.D.	1	KCH and KCB models - See Note 39 Page Q27
*	3025457	Harness - Cable - Chassis No longer supplied	1	
*	3026952	Harness - Cable - Chassis - R.H.D.	1	{ KC 6055 - See Note 20 Page Q26
*	3026953	Harness - Cable - Chassis - L.H.D.	1	
*	73027800	Harness - Cable - Chassis - R.H.D.	1	{ KC 6055 - See Notes 21 and 38 - Pages Q26 and Q27
*	73027801	Harness - Cable - Chassis - L.H.D.	1	
*	3018432	Harness - Cable - Flashers	1	
				KCF 6055 models when 17 ACR Alternator fitted See Note 19 Page Q26

ELECTRICAL EQUIPMENT

Plate Ref.	Part Number	DESCRIPTION	No. per Veh.	REMARKS
		CABLES, CLIPS, GROMMETS and CONNECTIONS – continued		
#	3018064	HARNESS – CABLE – ENGINE – DYNAMO	1	KAH } See Note 17 – KAL } No longer supplied KA/C-H – See Notes 18 and 38 KCH models – See Note 39 Page Q27
#	3018061	Harness – Cable – Engine – Dynamo	1	
#	3058041	Harness – Cable – Engine – Alternator	1	
#	73111952	Harness – Cable – Engine	1	
#	3055666	Harness – Cable – Engine – Alternator	1	KA/C L – See Note 18 Page Q25 { KCH 30/40 replaces 3058041 for A.B.F. with Pre-engaged Starter Motor
	3026163	Harness – Cable – Engine – Alternator	1	
	3018062	Harness – Cable – Windscreen wiper and roof lamp	1	
	3020622	Harness – Cable – Tail	1	{ Required when “Rear Recess Step” fitted. Special order only
	3018084	Cable assembly – Oil switch to harness – No longer supplied	1	
	3018085	Cable assembly – Oil switch to harness – No longer supplied	1	KAD } See Note 17 KAB } Page Q25
	3024887	Cable assembly – Oil switch to harness – No longer supplied	1	
	3024888	Cable assembly – Oil switch to harness	1	KAV-KCV } See Note 18 KAB-KCB } Page Q25
	3025523	Cable assembly – Vacuum gauge switch to harness	1	
	W.16169	Cable assembly – Harness to starter link – No longer supplied	1	{ KC 40 Standard KC 30 Special order only. Standard from – See Note 21 Page Q26
	J.132221	Cable assembly – Glow plugs	1	
	3019744	Cable assembly – Front roof lamp	1	KAD/KA/C-V/B KAD/KA/C-V
#	3018348	Cable assembly – Tail harness connection and panel No longer supplied	1	{ KAB/KA – L/D/V 6035 Standard – 30/40 when Servo fitted. KC 30/40 ABF when Vacuum Brakes and Pre- Engaged Starter fitted
	3020716	Cable assembly – Number plate lamp – No longer supplied ..	1	
	3018073	Cable – Battery negative to starter No longer supplied	1	{ Required when “Rear Recess Step” fitted. Special order only
	3018066	Cable – Battery negative to starter switch	1	
	3018072	Cable – Battery positive to earth	1	Petrol } See Note 22 Diesel } Page Q26
	3018067	Cable – Battery positive to earth	1	
	3022773	Cable – Battery positive to starter	1	Petrol } Diesel } See Note 23
	3023563	Cable – Battery positive to starter switch – No longer supplied	1	
	3024607	Cable – Battery negative to earth	1	Petrol } Page Q26 Diesel }
	3022832	Cable – Battery negative to earth	1	
	3022773	Cable – Battery positive to starter	1	KA/C-L 6055 KCL 30/40 KA/C-F 6055
	W.17059	Cable – Battery positive to starter switch – No longer supplied	1	
	3024607	Cable – Battery negative to earth	1	KA/C-L 6055 KCL 30/40 KA/C-F 6055 – Optional KCH 25/30/40
#	3024130	Cable – Battery negative to earth	1	
	3022832	Cable – Battery negative to earth	1	Ambulance } KA/C-L 3023
	3020073	Cable – Battery “N” to switch – No longer supplied	1	
	3018065	Cable – Battery “P” to earth	1	Ambulance } Diesel – Optional KCH 25/30/40
#	3018065	Cable – Battery to battery	1	
	3023554	Cable – Battery to starter	1	{ Replaces Cables 3018065 and 3018074 – See Note 16 Page Q25
	3018074	Cable – Starter switch to starter motor	1	
	P.93384 s/d 7105174	Cable – Engine to front crossmember	1	Petrol
	3018325	Cable – Engine to starter to frame – 15” (38.1 cm.) hole centres	1	KA/C-H/L/F
	1046995	Cable – Engine to crossmember – 9” (22.8 cm.) hole centres	1	KAD-KA/C-L/V/B/F
	P.44948 s/d 3024387	Cable – Starter to earth	1	KA/C-L/F
			1	KAD-KA/C-V/B – See Note 27

ELECTRICAL EQUIPMENT

Plate Ref.	Part Number	DESCRIPTION	No. per Veh.	REMARKS
		CABLES, CLIPS, GROMMETS and CONNECTIONS—continued		
	3024387	Cable—Starter to earth	1	KA/C-F—See also Note 16—Page Q25
**	1046995	Cable—Starter to earth	1	} See Note 28—Page Q26
	9068013 s/d 79068013	Washer—Cable to engine	1	
	3024131	Cable—Starter to earth	1	KA/C-F—See also Note 16—Page Q25
	P.49135 s/d 9178520	Clip—Speedometer cable	3	} KC 40—L.H.D.—KC 30 Special order only
	9179036	Clip—Speedometer cable and vacuum gauge pipe	2	
	9179023 s/d 79179023	Clip—Speedometer cable dash panel	2	KC 30
	P.49135 s/d 9178520	Clip—Harness under bonnet	4	
	1046975 s/d 9178543	Clip—Stop light switch cable to crossmember	3	
	9179184	Clip—Harness to chassis	17	
	9179184	Clip—Harness to chassis	21	KA/C-F
	1046531 s/d 9178509	Clip—Tail harness to lower flange toe panel support	3	
	9179184	Clip—Chassis harness	2	} Required when "Rear Recess Step" fitted. Special order only
	P.49293 s/d 9178514	Clip—Chassis harness	7	
	1046975 s/d 9178543	Clip—Chassis harness	4	
	P.49296 s/d 9178504	Clip—Steering column cable to instrument panel box	1	
	P.95083	Clip—Cables to steering column	2	No longer supplied
	1046531 s/d 9178509	Clip—Horn lead to air cleaner bracket	1	
	9179024	Clip—Harness to coil bracket	1	} Early models
	9176026	Clip—Harness to L.H. of cylinder head	1	
	9179078	Clip—Harness to thermostat housing—No longer supplied	1	} KA/C-H
	9179078	Clip—Harness to R.H. of engine—No longer supplied	1	
	9178539	Clip—Oil switch cable to R.H. engine rib	3	Alternator
	9179013	Clip—Harness to rocker cover—No longer supplied	1	} KA/C-L
	9179013	Clip—Harness to thermostat housing—No longer supplied	1	
	9179004	Clip—Harness to manifold	1	
	9179004	Clip—Harness to side cover	1	
	9179004	Clip—Engine harness to water pump and thermostat housing	2	KCL
	P.49294 s/d 9178502	Clip—Engine leads to air cleaner	1	} Diesel models
	9179028	Clip—Engine leads to engine	1	
	9179036	Clip—Battery cables	1	} KAD-KA/C-V
	9179036	Clip—Negative cable to support bracket	1	
	9179037	Clip—Negative cable to battery clamp fixings	1	
**	9179036	Clip—Battery cables	1	} KA/C-B
**	9179037	Clip—Battery cables to radiator support	3	
**	9179039	Clip—Battery cables No longer supplied	2	
**	9179039	Clip—Negative cable to air cleaner bracket—No longer supplied	1	
**	9179039	Clip—Negative cable to air cleaner bracket—No longer supplied	1	} KA/C-F
**	9179039	Clip—Battery cable to radiator support rail—No longer supplied	2	
**	9179037	Clip—Battery cable to radiator support rail	2	
**	9179184	Clip—Stop switch cable to chassis frame	4	KC models
**	9179013	Clip—Alternator cables No longer supplied	1	KA/C-F
**	1046531 s/d 9178509	Clip—Head and side lamp cables	2	
**	9178522	Clip—Rear interior light cable	11	No longer supplied
**	9176180	Clip—Tyrap—Battery cable to alternator cable	2	
**	9179023 s/d 79179023	Clip—Speedometer cable	2	} L.H.D. Except for KA/C-L 6055
**	3018498	Support—Speedometer cable to air cleaner—No longer supplied	1	
**	9179012	Clip—Harness to L.H. bottom of dash	1	No longer supplied
**	39033080	Screw—Clip fixing	1	
**	9660123 s/d 79660123	Washer—Spring	1	
**	9600521	Nut	1	

ELECTRICAL EQUIPMENT

Plate Ref.	Part Number	DESCRIPTION	No. per Veh.	REMARKS
		CABLES, CLIPS, GROMMETS and CONNECTIONS—continued		
#	9732083	Tapping screw – Harness to L.H. bottom of dash panel	1	Late Condition
#	9179039	Clip – Cable to cab No longer supplied	1	
	19506082 s/d 79040135	Setscrew – Clip fixing	1	See Note 16 Page Q25
	9660243	Washer – Spring	1	
	9510061 s/d 5221351	Nut	1	
	P.43469 s/d 9233827	Plastic strap – Clip	3	
	P.43470 s/d 9228009	Stud – Strap	3	
	P.43469 s/d 9233827	Plastic strap – Switch cables to steering column	A/R	
	P.43470 s/d 9228009	Stud	2	
	9179055	Clip – Harness to control box bracket and panel	1	Petrol models 30/40/6035 } Diesel 6055 } models
	9179184	Clip	1	
	9179184	Clip	1	
#	39033080	Screw – Clip fixing	1	
#	9660123 s/d 79660123	Washer – Spring	1	
	9600521	Nut	1	
	9732083	Screw – Tapping	2	
#	L.1438	Clip – Harness to starter control	1	Petrol models
#	39033080	Screw – Clip fixing	1	
#	9660123 s/d 79660123	Washer – Spring	1	
	9600521	Nut	1	
#	9179036	Clip – Battery cable to centre radiator support rail	1	KA/C-F
#	39033080	Screw – Clip fixing	1	
#	9660123 s/d 79660123	Washer – Spring	1	
#	9600521	Nut	1	
#	9116118	Grommet – Rear roof quarter panel bracket	1	Required when “Rear Recess Step” fitted. Special order only
#	9119555	Grommet – Rear roof panel No longer supplied	1	
#	P.63804 s/d 9117004	Grommet – Cable harness under bonnet	2	No longer supplied
#	1800286	Grommet – Cable harness – Panel – Through dash	1	
#	P.24428	Grommet – Panel support – Harness to flasher unit	1	
#	P.51259	Grommet – Panel support – Fuses to switch	2	
#	9118534	Grommet – Speedometer cable through dash	1	
#	9117544	Grommet – Tail harness through crossmember	1	
#	P.51259	Grommet – Wiper and roof lamp harness	1	
#	P.41557	Connector sleeve – Snap – Double	2	
#	P.40883	Connector sleeve – Snap – Single	2	
#	9227100	Connector – Lucar	1	
#	P.41557	Connector – 2-way to earth – Rear end – KA models	2	
#	39033080 s/d 39313081	Screw – Earth connector – Rear end	1	
#	9179275	Connector – 2-way to earth – Headlamps	2	
#	9227115	Earth blade No longer supplied	2	
#	39023080 s/d 39023081	Screw – Connector to pillar screw	2	
#	9660123 s/d 79660123	Washer – Spring	2	
#	9600521	Nut	2	
#	9179275	Connector – 2-way to earth – Rear end	2	KC models. Not required on Chassis – Front end
#	9067008	Washer – Plain	2	
#	9660123 s/d 79660123	Washer – Spring	2	
#	9510031 s/d 79510031	Nut	2	
#	9179275	Connector – 2-way earth	1	KC models
#	5221352 s/d 79040102	Screw – Lamp support to bar	2	
#	9660163 s/d 79660163	Washer – Spring	2	
#	9510041	Nut	2	

ELECTRICAL EQUIPMENT

Plate Ref.	Part Number	DESCRIPTION	No. per Veh.	REMARKS
		CABLES, CLIPS, GROMMETS and CONNECTIONS--continued		
*	W.14012	Bracket - Support - Battery cable .. No longer supplied	1	KAD KA/C-V
	3023886	Bracket - Support - Battery cable No longer supplied	1	
	39033080	Screw - Battery cable to support bracket	1	} KAD-KA/C-V
*	9660123 s/d 79660123	Washer - Spring	1	
	9600521	Nut	1	
	19506082 s/d 79040135	Setscrew - Battery cable clip to cab subframe	1	} KA/C-F
	9660243	Washer - Spring	1	
	9510061 s/d 5221351	Nut	1	
	1801219	Plug - Alternator control	1	} See Notes 18 and 32. Pages Q25 and Q27. See Note 33 - Page Q27
	71802667	Plug - Alternator control	1	
	9227126	Lucar blade - In line No longer supplied	1	} Petrol models
	9000090 s/d 1802509	Bolt - Battery fixing	2	
	9029035 s/d 1802510	Nut	2	
	9000090 s/d 1802509	Bolt - Battery fixing	4	} Diesel models
	9029035 s/d 1802510	Nut	4	

ELECTRICAL EQUIPMENT

Plate Ref.	Part Number	DESCRIPTION	No. per Veh.	REMARKS
*		<p>NOTE 1. Introduction of Flasher Lamps as standard equipment from chassis Nos. : KC 015178 CKD-KC 701235</p> <p>NOTE 2. Used prior to chassis Nos. listed in Note 3.</p> <p>NOTE 3. Used on and after chassis Nos. : KA 3023-000746/55-000757/78-000761/3-000765/807-000809 onwards. KA 4023-000364-000366/7-000369/75-000377/83-000385/9-000391/7-000399 onwards, but prior to Note 34.</p> <p>NOTE 4. Fitted as Standard on KAB/KAL 6035 and KAF 6055. As special order only when Servo Brakes are fitted on KAB 40.</p> <p>NOTE 5. Used prior to chassis Nos. listed in Note 6.</p> <p>NOTE 6. Used on and after chassis Nos. : KA 30/40/60-009240-Associated British Foods. KA 30/40/60-010248. CKD KA 30/40/60-700511.</p> <p>NOTE 7. Introduction of Flasher Lamps as Standard equipment from chassis Nos. : KC 015178 CKD 701235</p> <p>NOTE 8. C.40.L Dynamo introduced to replace C.45 Dynamo from : Engine No. 4-203-2613896. Chassis Nos. : KAB 3023-004797-KAB 4035-000532- KAB 4023-002424-KAB 6035-000440.</p> <p>NOTE 9. See instruction note issued with Dynamo regarding polarity for negative or positive earth systems.</p> <p>NOTE 10. Alternators used as Standard equipment from the following introduction points: Engine Nos. KAH Plain Bore SPSMA 26. Chrome Bore SPMA 17. KAL - SC SA 6. KAB-203 U 794 C. KAV - 1st Production. Chassis Nos. : KAH Plain Bore 011905. Chrome Bore 011738. KAL 011654 KAB 011922 KAV - 1st Production. CKD Chassis Nos. : KAH Plain Bore 700921 Chrome Bore 700921. KAL 700904 KAB 700974 KAV - 1st Production.</p>		

ELECTRICAL EQUIPMENT

Plate Ref.	Part Number	DESCRIPTION	No. per Veh.	REMARKS
		<p>NOTE 11. "Screw-on" High tension cables used prior to Engine Nos. listed in Note 12.</p> <p>NOTE 12. Introduction of "Push-on" High tension cables and associated details. KAH - Introduction of "Push-on" High tension cable - Coil to distributor together with new Ignition Coil. Fitted from Engine Nos. : KAH - SPSM 1533 and SPM 1739. KAL - Introduction of "Push-on" Ignition Cable kit (Engine set) together with Ignition Coil - Distributor - Distributor bracket and fixings as detailed in Section AB (KAL). Fitted from Engine No. : KAL-3CS 338.</p> <p>NOTE 13. Used prior to Engine Nos. listed in Note 14.</p> <p>NOTE 14. Design change introduced to meet new G.P.O. regulations (Home models only) 9803185 Sparking plug resistor no longer fitted from Engine Nos. : KAH - SPSM 751 and SPM 1019.</p> <p>NOTE 15. Owing to difficulties in manufacture it is not possible to supply High tension cable in bulk, therefore, Engine Sets only will be available.</p> <p>NOTE 16. Fitted to KAH 30/40 only when specified by Associated British Foods - Pre-Engaged Starter.</p> <p>NOTE 17. Used on models fitted with Dynamos prior to the introduction of Alternators - See Note 18.</p> <p>NOTE 18. Alternators introduced as Standard equipment from the following introduction points: Engine Nos. : KAH Plain Bore SPSMA 26 KAH Chrome Bore SPMA 17 KAL SC SA 6 KAB 203 U 794 C * KAV 1st Production. * Chassis Nos. : KAH Plain Bore 011905 KAH Chrome Bore 011738 KAL 011654 KAB 011922 * KAV 1st Production. * CKD Chassis Nos. : KAH Plain Bore 700921 KAH Chrome Bore 700921 KAL 700904 KAB 700974 * KAV 1st production. *</p> <p>* And prior to deletion of Panel Light wiring.</p>		

ELECTRICAL EQUIPMENT

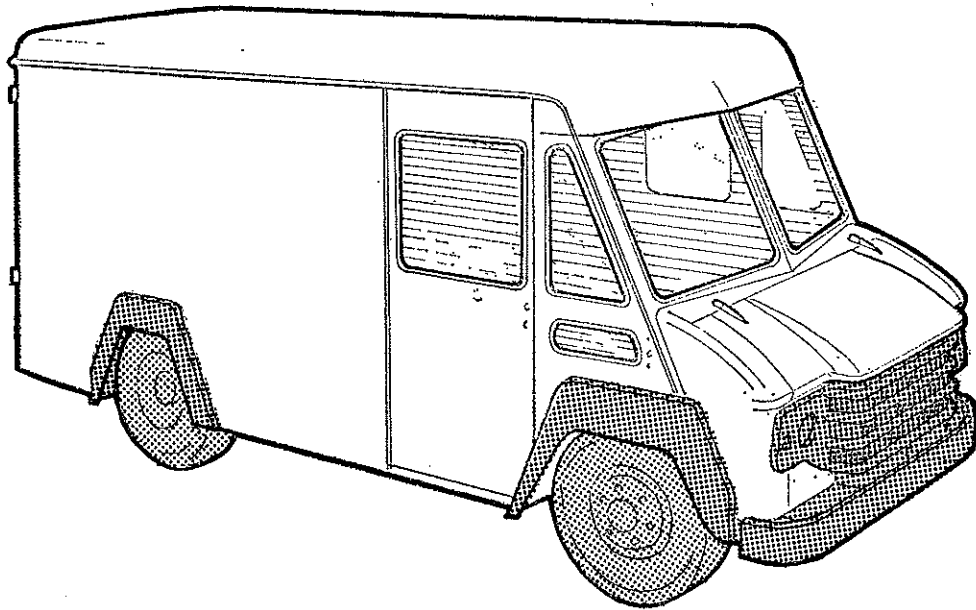
Plate Ref.	Part Number	DESCRIPTION	No. per Veh.	REMARKS
		<p>NOTE 19. Used prior to introduction Nos. listed in Note 20.</p> <p>NOTE 20. Introduction of Flasher Lamps as Standard equipment from Chassis Nos. : KC 015178 CKD KC 701235</p> <p>NOTE 21. Used on and after chassis Nos. : KC 30-018982 KC 40-018997 KC 60-019040</p> <p>NOTE 22. Used prior to chassis Nos. listed in Note 23.</p> <p>NOTE 23. Introduction of a design change to the Earth Polarity from Positive to Negative Earthing. Introduced from Chassis Nos. : KAH Chrome Bore 008322 KAH Plain Bore 008418 KAL 008278 KAD 011246 KAB 008711 CKD KAH Chrome Bore 700419 KAH Plain Bore 700658 KAL 700268 KAD 700929 KAB 700295.</p> <p>NOTE 24. Fitted from deletion of panel light wiring and prior to introduction of "Roller clutch Starter".</p> <p>NOTE 25. Fitted after introduction of "Roller clutch Starter". New harness is longer and can be used for existing Starter by removing connector.</p> <p>NOTE 26. Late series 25D4 Distributors are fitted with the one-piece type contact set Part No. 75062075 and short peg base plate No. 75062076. It is not possible to fit contact set No. K.25986 to base plate No. 75063076, but the one-piece contact set No. 75062075 will fit either the early base plate No. 75060854 or the later base plate No. 75062076. The early and late base plates may be identified by the long brass swivel peg for the early type as against the short steel locating peg fitted to the later condition.</p> <p>NOTE 27. Used prior to introduction Nos. listed in Note 28.</p> <p>NOTE 28. Used on and after chassis No. KCB 3023-310992. To suit latest type roller clutch starter.</p> <p>NOTE 29. Used prior to Chassis No. listed in Note 30.</p> <p>NOTE 30. Used on and after Chassis No. KCF 6055-311574.</p> <p>NOTE 31. Used on and after Chassis No. KCB 3023-302663.</p>		

ELECTRICAL EQUIPMENT

Plate Ref.	Part Number	DESCRIPTION	No. per Veh.	REMARKS
<p>#</p> <p>#</p> <p>#</p> <p>#</p> <p>#</p> <p>#</p>		<p>NOTE 32. Used prior to Chassis No. listed in Note 33.</p> <p>NOTE 33. Used on and after Chassis No. KCB 4023-312237.</p> <p>NOTE 34. Used prior to Chassis No. listed in Note 35.</p> <p>NOTE 35. Used on and after Chassis No. : KCH. 4023-320609.</p> <p>NOTE 36. Used prior to Chassis No. listed in Note 37.</p> <p>NOTE 37. Used on and after Chassis No. KCB 4023-321559.</p> <p>NOTE 38. Used prior to Chassis Nos. listed in Note 39.</p> <p>NOTE 39. Used on and after Chassis Nos. : KCH 4023-330122. KCB 4023-330125.</p>		

SECTION RA

BODY – SHEET METAL



BODY - SHEET METAL

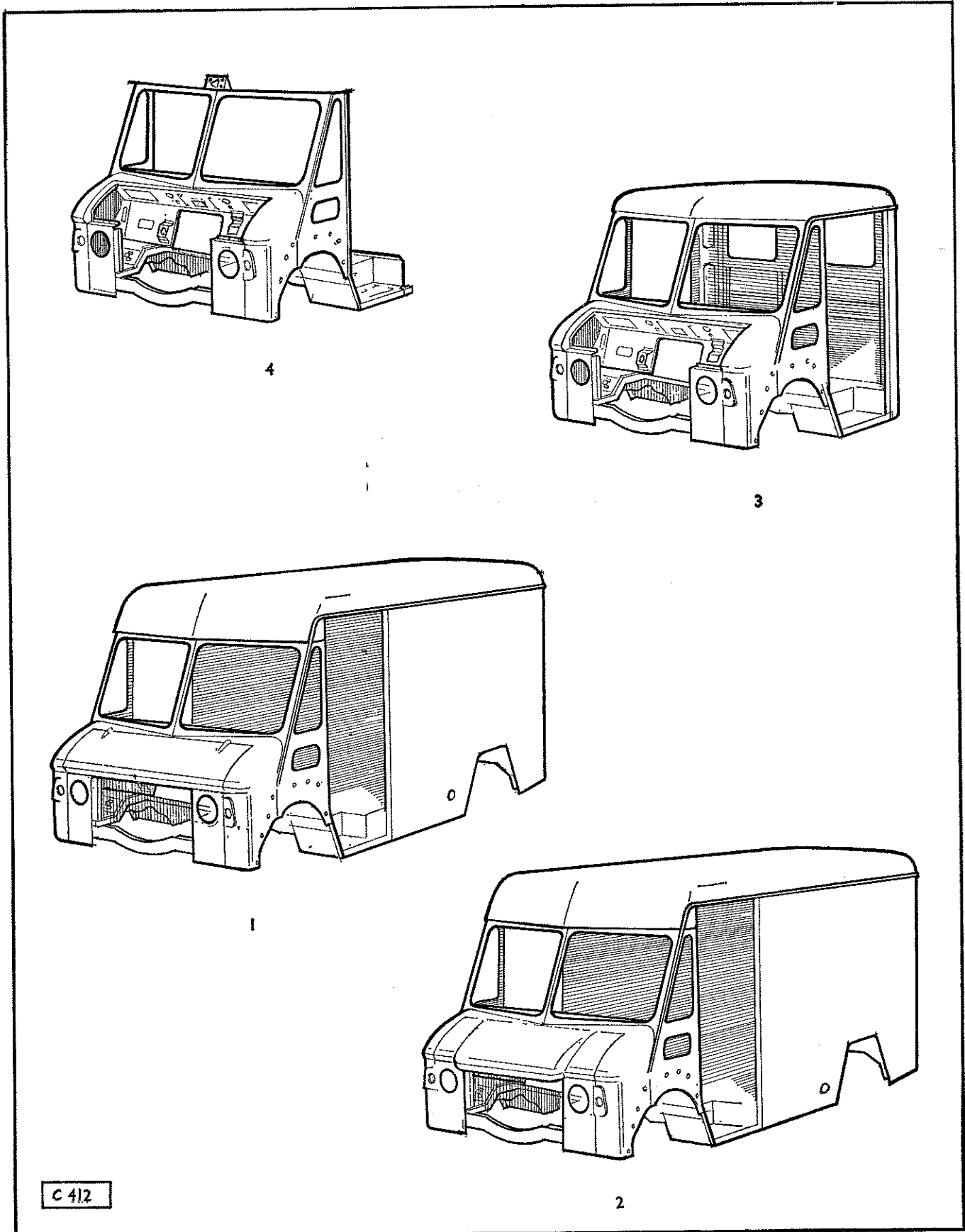


PLATE A - SECTION RA

BODY - SHEET METAL

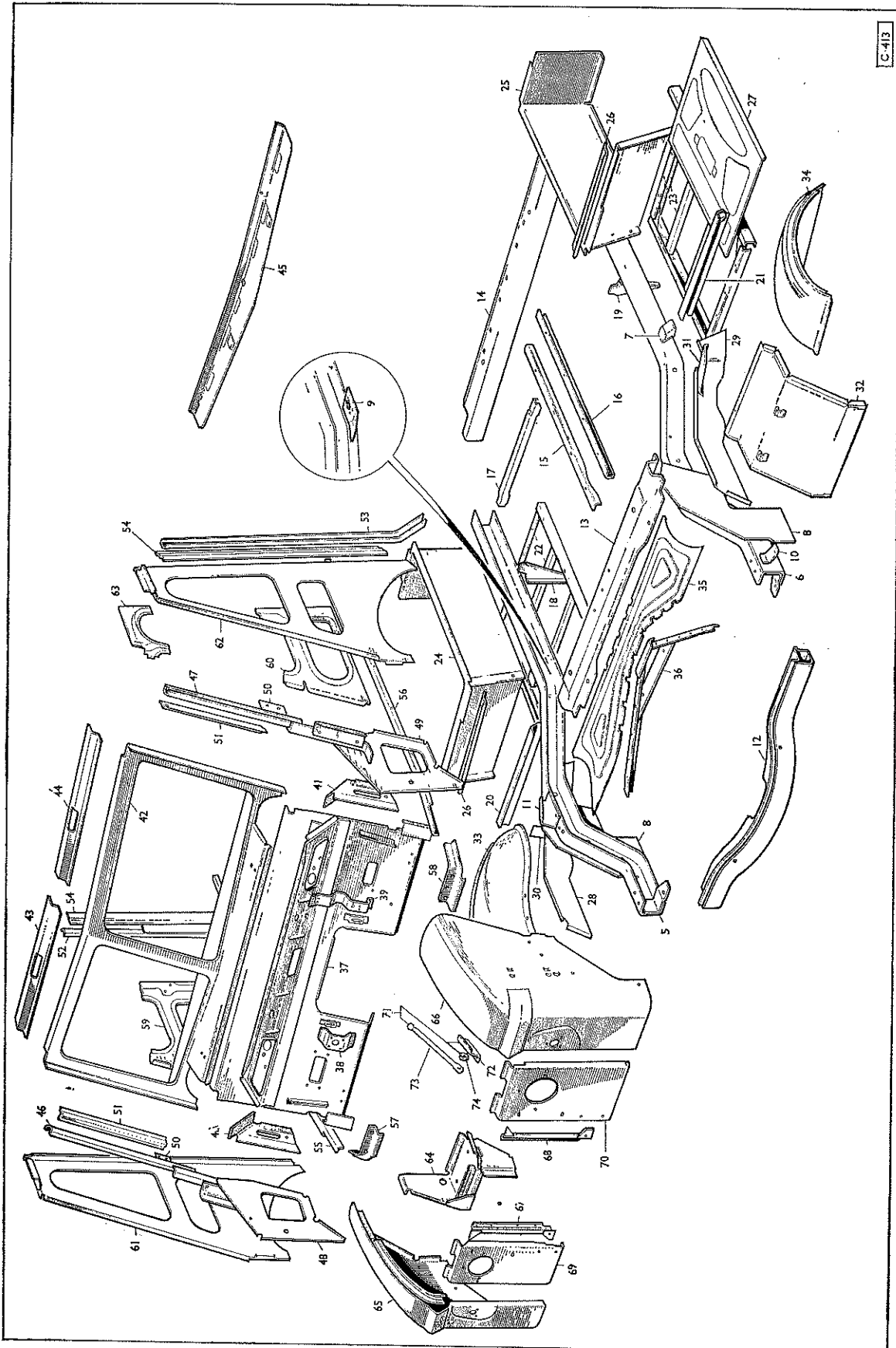


PLATE B - SECTION RA

BODY - SHEET METAL

C-414

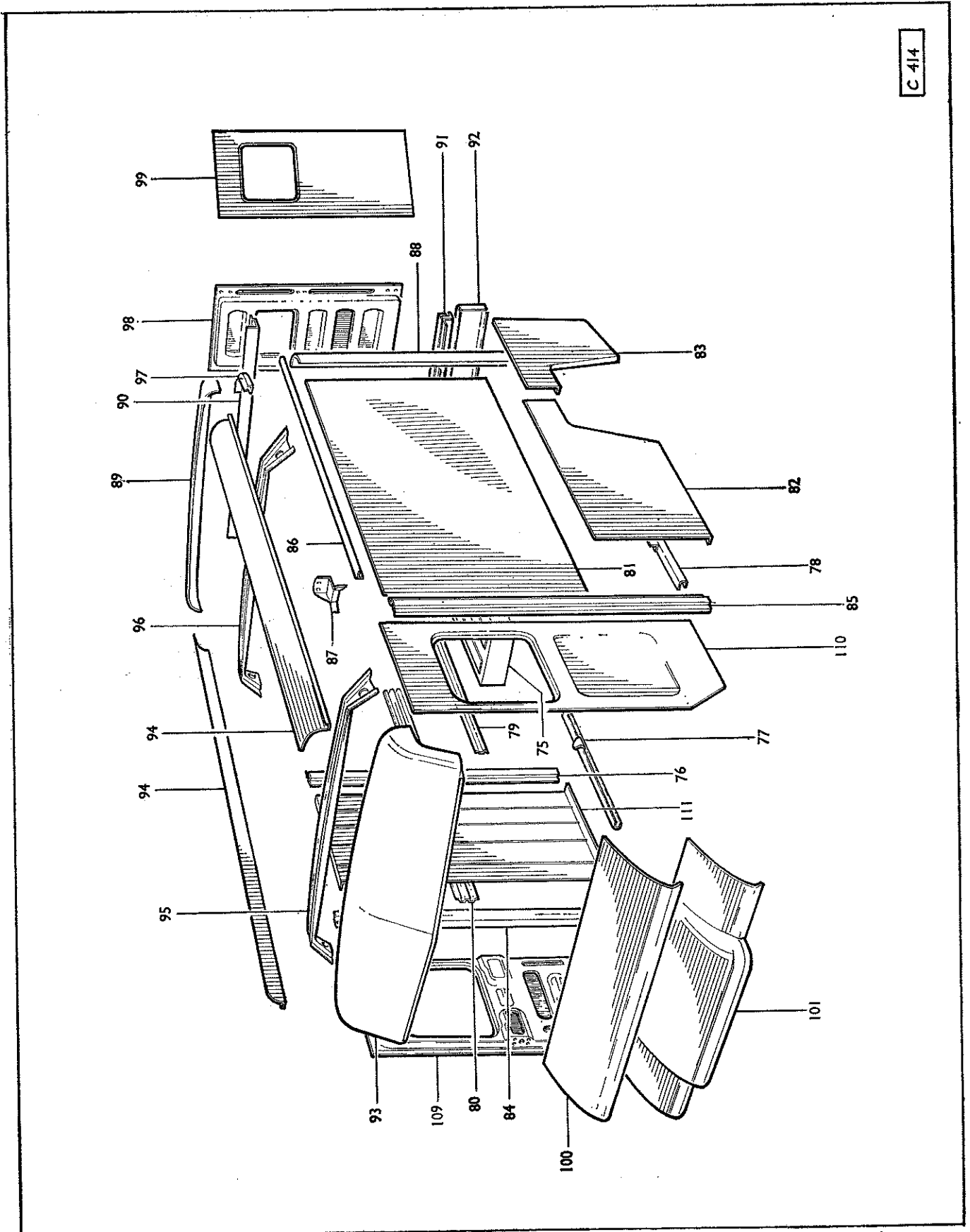


PLATE C - SECTION RA

BODY - SHEET METAL

C 415

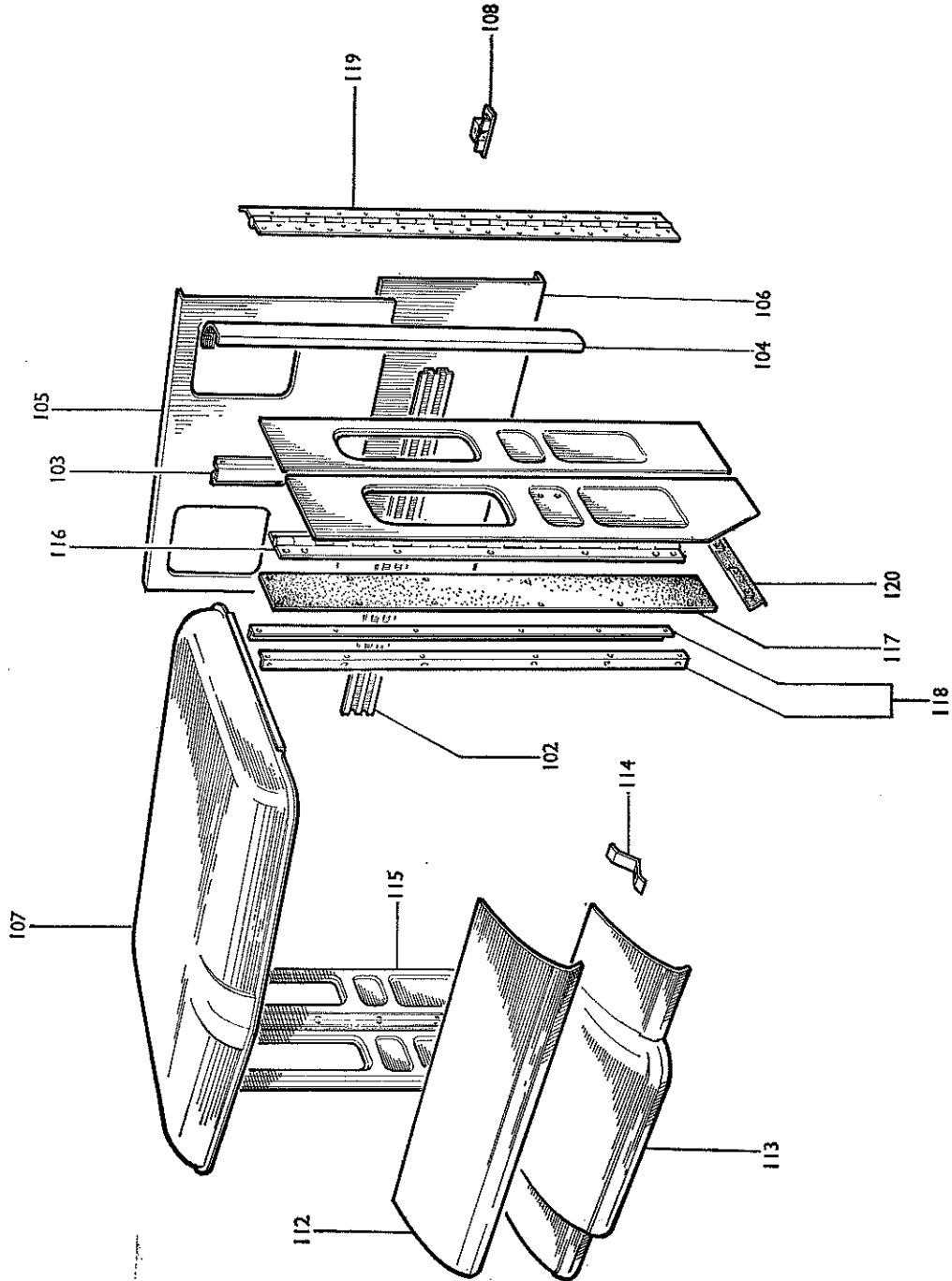


PLATE D - SECTION RA

BODY - SHEET METAL

Plate Ref.	Part Number	DESCRIPTION	No. per Veh.	REMARKS
SHELL ASSEMBLIES - Van models				
** A1	3074246 s/d 73112767	SHELL WELDED ASSEMBLY (Short nose)	1	See Note 1 } Page See Note 2 } RA6
** A1	73112767 s/d 75243302	Shell Welded Assembly	1	
<p>The above Shell Welded Assemblies are for 4 Cylinder petrol, 23 CV, OE138 and OE160 Diesel models and are bonderised and primed - complete with front end welded assembly, bonnet panel, roof and rear door panels. BUT LESS sliding door panels, front grille assembly, fittings and trim.</p>				
** A2	3074128 s/d 73112769	SHELL WELDED ASSEMBLY (Long nose)	1	See Note 1 } Page See Note 2 } RA6
** A2	73112769 s/d 75243302	Shell Welded Assembly	1	
<p>The above Shell Welded Assemblies are for 6 Cylinder petrol, 4-203 and 4-236 diesel models and are bonderised and primed - complete with front end welded assembly, bonnet panel, roof and rear door panels. BUT LESS sliding door panels, front grille assembly, fittings and trim.</p>				
**	75243302	SHELL WELDED ASSEMBLY	1	
<p>The above Shell Welded Assembly is common for all Van models and is bonderised and primed - complete with front end welded assembly, roof and rear door panels. BUT LESS bonnet panel, sliding door panels, front grill assembly, fittings and trim.</p>				
SHELL ASSEMBLIES - Cab models				
** A3	3074668 s/d 73112841	SHELL WELDED ASSEMBLY - Cab models.. .. .	1	See Note 1 } Page See Note 2 } RA6
** A3	73112841 s/d 73113796	Shell Welded Assembly	1	
** A3	73113796	Shell Welded Assembly	1	
<p>The above Shell Welded Assemblies are bonderised and primed - complete with front end welded assembly, roof and back panel. BUT LESS bonnet panel, folding door panels, front grille assembly, fittings and trim.</p>				

BODY - SHEET METAL

Plate Ref.	Part Number	DESCRIPTION	No. per Veh.	REMARKS
		SHELL WELDED ASSEMBLY - continued		
A4	3074020	WELDED ASSEMBLY - Front end	1	See Note 1 } Page See Note 2 } RA6
A4	73112750	Welded assembly	1	
		UNDERFRAME ASSEMBLY		Not supplied
B5	3074022	Longitudinal assembly - R.H.	1	
B6	3074023	Longitudinal assembly - L.H.	1	
	3049710	Bracket - No. 1 - R.H. - Stepwell bearer	1	} No longer supplied
B7	3049711	Bracket - No. 2 - L.H.	1	
B8	3049712	Panel - Wheelbox attachment	2	
B9	3050479	Plate - R.H. - Intermediate mounting	1	} No longer supplied
	3050480	Plate - L.H.	1	
B10	3018728	Bracket - Longitudinal to mounting	2	
B11	3017864 s/d 73112292	Bracket - Dash to underframe	1	
	3017865 s/d 73112293	Bracket - L.H.	1	
B12	3074029	BEARER ASSEMBLY - Front mounting	1	
B13	3074436	Bearer assembly - Intermediate mounting	1	
B14	3049716	Bearer assembly - Rear	1	
B15	3051486	RAIL ASSEMBLY - R.H. - Longitudinal - Seat support	1	
B16	3050499	Rail assembly - L.H.	1	} No longer supplied
B17	3050486	Cross rail	2	
B18	3050515	Bracket - R.H.	1	
B19	3050516	Bracket - L.H.	1	
B20	3049719	BEARER ASSEMBLY - R.H. - Stepwell	1	
B21	3049720	Bearer assembly - L.H.	1	} No longer supplied
	3049711	Bracket - No. 2 - R.H. - Stepwell bearer	1	
	3049710	Bracket - No. 1 - L.H.	1	
B22	3074027	Frame assembly - R.H. - Step tread	1	
B23	3074028	Frame assembly - L.H.	1	
B24	3074406	Stepwell assembly - R.H.	1	
B25	3074407	Stepwell assembly - L.H.	1	
B26	3018446	Panel - Stepwell finisher	2	
	3074467	Panel - R.H. - Stepwell tread	1	
B27	3074468	Panel - L.H.	1	
B28	3074037	LONGITUDINAL ASSEMBLY - R.H. - Outer	1	
B29	3074038	Longitudinal assembly - L.H.	1	
B30	3074041	Bracket - R.H. - Longitudinal - Outer	1	
B31	3074042	Bracket - L.H.	1	
	3074452	PANEL ASSEMBLY - R.H. - Wheelbox - Front	1	
B32	3074453	Panel assembly - L.H.	1	
B33	3074596	Panel assembly - R.H. - Wheelarch - Front	1	
B34	3074597	Panel assembly - L.H.	1	
B35	3074398	PANEL - Floor - Front	1	
B36	3050339	Reinforcement assembly - Toe board	1	
B37	3074066	PANEL ASSEMBLY - Dash	1	
B38	3049748	Plate assembly - Air cleaner fixing	1	
B39	3049747	Bracket - Voltage control	1	
B40	3049757	Panel - R.H. - Dash - Side - Outer	1	
B41	3049758	Panel - L.H.	1	
B42	3074074	PANEL ASSEMBLY - Front screen	1	
B43	3074166	Panel - R.H. - Windscreen header - Front	1	
B44	3074167	Panel - L.H.	1	
B45	3074163	Panel assembly - Header extension	1	

BODY - SHEET METAL

Plate Ref.	Part Number	DESCRIPTION	No. per Veh.	REMARKS
		SHELL WELDED ASSEMBLY - continued		
		WELDED ASSEMBLY - FRONT END - continued		
B46	3074049	PILLAR ASSEMBLY - R.H. - Screen - Side	1	
B47	3074050	Pillar assembly - L.H.	1	
B48	3074051	Plate - R.H. - Screen side pillar attachment	1	
B49	3074052	Plate - L.H.	1	
B50	3018555	Bracket assembly - Driving mirror fixing	2	
B51	3049742	Panel - Screen pillar - Inner	2	
B52	3074045	"B" POST ASSEMBLY - R.H.	1	
B53	3074046	"B" post assembly - L.H.	1	
B54	3049743	"B" post panel - Inner	2	
B55	3074055	RAIL - R.H. - Front wing fixing	1	
B56	3074056	Rail - L.H.	1	
	3049737	Extension assembly - R.H. - Front wing	1	} See Note 1 - Page RA6
	3049738	Extension assembly - L.H.	1	
B57	73112758	Extension assembly - R.H. - Front wing	1	} See Note 2 Page RA6
B58	73112759	Extension assembly - L.H.	1	
B59	3074057	PANEL ASSEMBLY - R.H. - Inner - Side quarter	1	
B60	3074058	Panel assembly - L.H.	1	
	3074267	Panel assembly - R.H. - Outer	1	} See Note 1 - Page RA6
	3074268	Panel assembly - L.H.	1	
B61	73112832	Panel assembly - R.H. - Outer	1	} See Note 2 - Page RA6
B62	73112833	Panel assembly - L.H.	1	
	3050323	Panel assembly - R.H. - Inner - Top	1	
B63	3050324	Panel assembly - L.H.	1	
B64	3074070	TRAY ASSEMBLY - R.H. - Battery	1	
	3074071	Tray assembly - L.H.	1	
	3074083	PANEL ASSEMBLY - R.H. - Front fender	1	} See Note 1 - Page RA6
	3074084	Panel assembly - L.H.	1	
B65	73112838	Panel assembly - R.H. - Front fender	1	} See Note 2 - Page RA6
B66	73112839	Panel assembly - L.H.	1	
B67	3049764	RAIL ASSEMBLY - R.H. - Vertical - Front	1	
B68	3049765	Rail assembly - L.H.	1	
	3074087	PANEL - R.H. - Headlamp aperture	1	} See Note 1 - Page RA6
	3074088	Panel - L.H.	1	
B69	73112636	Panel - R.H. - Headlamp aperture	1	} See Note 2 - Page RA6
B70	73112637	Panel - L.H.	1	
B71	73052745	BRACKET ASSEMBLY - Prop arm	1	
B72	3019962	Bracket No longer supplied	1	
B73	3019964	Arm	1	
	69206110	Rivet	1	
	9067096	Washer - Plain	1	
B74	3019973	Clip No longer supplied	1	
	9143255	Rivet	1	

BODY – SHEET METAL

Plate Ref.	Part Number	DESCRIPTION	No. per Veh.	REMARKS
		SHELL WELDED ASSEMBLY – continued		
		VAN MODELS		
C75	3074130	UNDERFRAME ASSEMBLY Not supplied		
		WHEELBOX ASSEMBLY – Rear	2	
		FRAME ASSEMBLY – Side Not supplied		
	3074139	Pillar – No. 3 – L.H.	1	
C76	3074139	Pillar – No. 4 – R.H.	1	
C77	3074142	Rail assembly – R.H. – Front – Skirt	1	
C78	3074143	Rail assembly – L.H.	1	
C79	3017944	Rail – Guard panel	6	
C80	3049861	Rail – Panel fixing	4	
		Panel – R.H. – Door pocket closing		Not supplied
		Panel – L.H.		Not supplied
C81	3074169	PANEL – Upper – Side	2	
	3050317	Panel – R.H. – Front – Lower – Side	1	
C82	3050318	Panel – L.H.	1	
	3050335	Panel – R.H. – Rear	1	
C83	3050336	Panel – L.H.	1	
C84	3050602	FINISHER – R.H. – No. 1 pillar	1	
C85	3050603	Finisher – L.H.	1	
C86	3018535	Finisher – Roof gutter	2	} Prior to chassis number KC 313036
	9143255	Rivet	289	
		END ASSEMBLY – Rear Not supplied		
C87	3074149	Support assembly – R.H. – Door hinge	2	
	3074150	Support assembly – L.H.	2	
	3074155	Panel – R.H. – Quarter	1	
C88	3074156	Panel – L.H.	1	
C89	3074157	PANEL – Roof – Rear	1	
C90	3049873	Rail assembly – Roof	1	
C91	3049879	Rail assembly – Floor	1	
C92	3074487	Panel assembly – Registration	1	
		ROOF ASSEMBLY Not supplied		
C93	3074161	PANEL ASSEMBLY – Header – Front	1	
C94	3074186	Panel – Cove	2	
	3074187 s/d 3077913	Rail assembly – Front	3	
	3074189 s/d 3077912	Rail assembly – Rear	4	
C95	3077913	Rail assembly – Front	2	
C96	3077912	Rail assembly – Rear	4	
C97	3049896	CHANNEL – Roof drain – Rear	2	
	9773066	Screw – Tapping – Channel to roof	8	
C98	3074309	PANEL ASSEMBLY – R.H. – Door – Rear	1	
C99	3074310	Panel assembly – L.H.	1	
		DOOR FITTINGS – REAR		See Door Fittings Section
C100	3074855	PANEL ASSEMBLY – Bonnet	1	{ 4 cylinder Petrol and 23 CV OE 138 } Diesel models OE 160 }
C101	3074856	Panel assembly	1	{ 6 cylinder Petrol and 4-203 } Diesel 4-236 } models
	3019963	Bracket – Prop arm to bonnet	1	
		BONNET FITTINGS		No longer supplied
				See Exterior Fittings Section

BODY - SHEET METAL

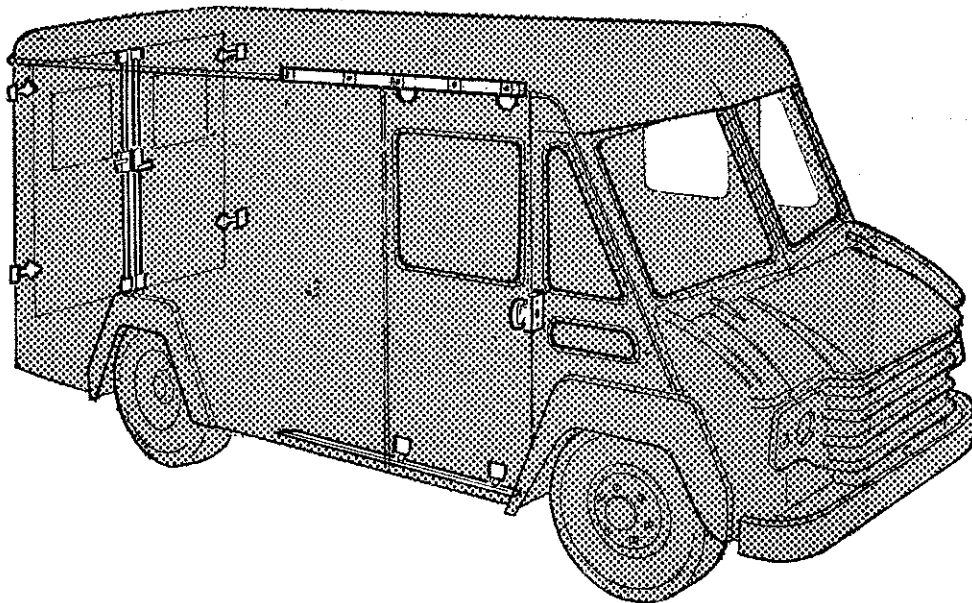
Plate Ref.	Part Number	DESCRIPTION	No. per Veh.	REMARKS
		SHELL WELDED ASSEMBLY - continued		
		CAB MODELS		
		FRAME ASSEMBLY - Back panel .. Not supplied		
D102	3051162	Rail - Panel fixing No longer supplied	1	
D103	3074671	Pillar No longer supplied	4	
	3074697	Panel assembly - R.H. - Quarter	1	
D104	3074698	Panel assembly - L.H.	1	
D105	3051195	PANEL - Upper - Back - Outer	1	
D106	3051196	Panel - Lower	1	
	9143255	Rivet	77	
D107	3074688	ROOF ASSEMBLY	1	
D108	3051157	BRACKET ASSEMBLY - Rear mounting	2	
		VAN MODELS		
C109	3074274	PANEL ASSEMBLY - R.H. - Door - Sliding	1	
C110	3074275	Panel assembly - L.H.	1	
		DOOR FITTINGS - SLIDING		See Door Fittings Section
C111	3074206	CASING ASSEMBLY - R.H. - Door	1	
	3074207	Casing assembly - L.H.	1	
	39333101	Screw - Casing assembly to roof rail	10	
	9067013	Washer - Plain	10	
	9660123	Washer - Spring	10	
	9020206	Nut - Grip	10	
	39333101	Screw - Casing assembly to door pocket closing panel	20	
	9067013	Washer - Plain	20	
	9660123	Washer - Spring	20	
	9020206	Nut - Grip	20	
	49313082	Screw - Tapping - Casing assembly to underframe	10	
		CAB MODELS		
D112	3074855	PANEL ASSEMBLY - Bonnet	1	{ 4 cylinder Petrol and 23 CV OE 138 } Diesel models OE 160 }
D113	3074856	Panel assembly	1	{ 6 cylinder Petrol and 4-203 } Diesel 4-236 } models
D114	3019963	Bracket - Prop arm to bonnet .. No longer supplied	1	
		BONNET FITTINGS		See Exterior Fittings Section
D115	3074690	PANEL ASSEMBLY - R.H. - Door - Folding	1	
	3074691	Panel assembly - L.H.	1	
D116	3051184	Hinge - Door to door	2	
	9143255	Rivet - Hinge to doors	60	
D117	3018983	Seal - Hinge	2	
D118	3018984	Retainer - Seal	4	
	9143255	Rivet - Retainer to door	24	
D119	3051183	Hinge - Door to back panel pillar	2	
	9772066	Screw - Tapping - Hinge to door	6	
	9143255	Rivet	40	
	3051187	Seal - R.H. - Lower - Step well	1	
D120	3051188	Seal - L.H.	1	
	9143255	Rivet - Seal to door	14	
		DOOR FITTINGS		See Door Fittings Section

BODY – SHEET METAL

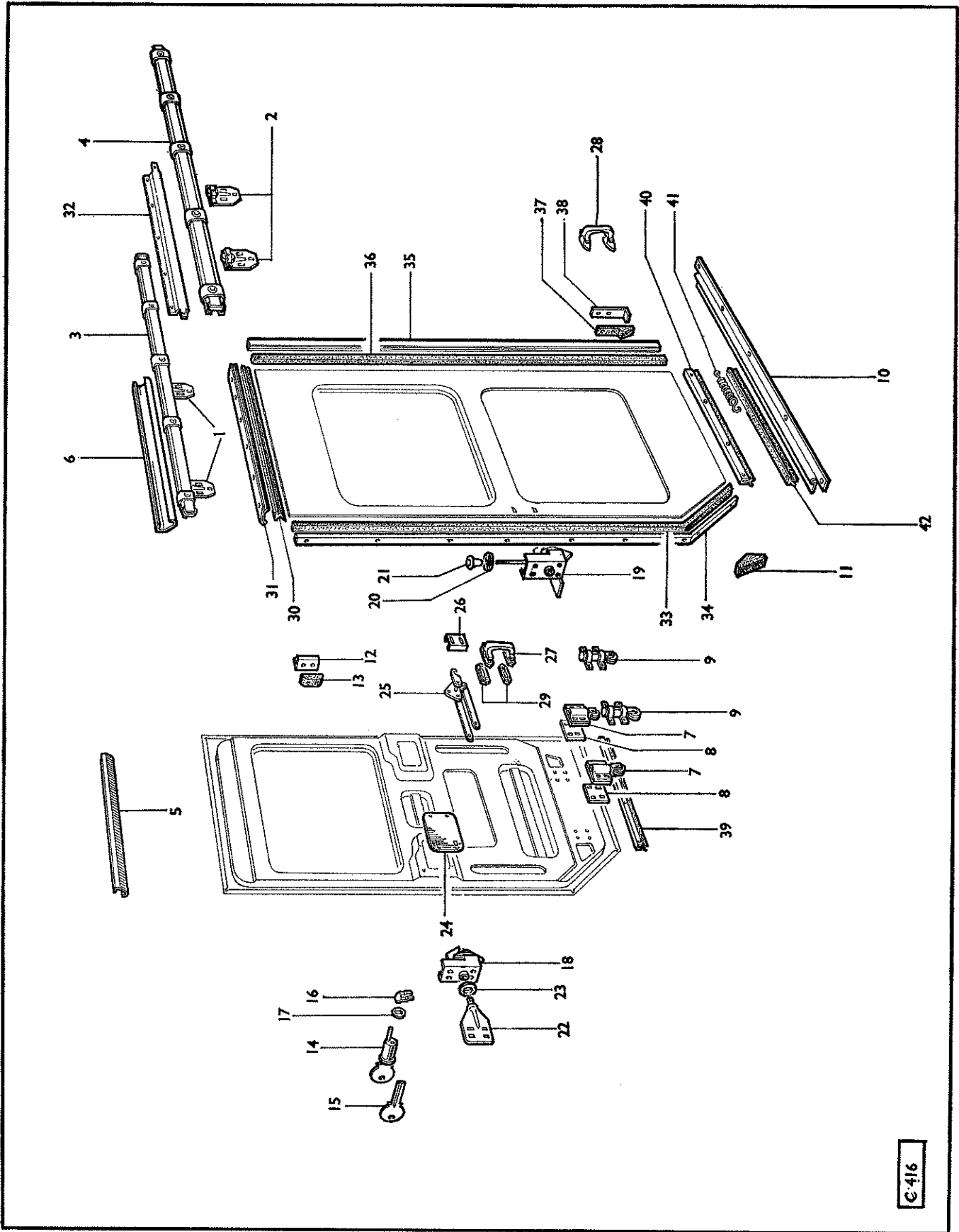
Plate Ref.	Part Number	DESCRIPTION	No. per Veh.	REMARKS
		<p style="text-align: center;">NOTES</p> <p>NOTE 1. Used prior to chassis numbers detailed in Note 2.</p> <p>NOTE 2. Introduction of revised headlamp condition and associated parts made necessary by mandatory headlamp regulations, from chassis numbers :- KC – 320234 CKD KC – 820336</p>		

SECTION RB

BODY - HARDWARE - DOORS



BODY - HARDWARE - DOORS



C-416

PLATE A - SECTION RB

BODY - HARDWARE - DOORS

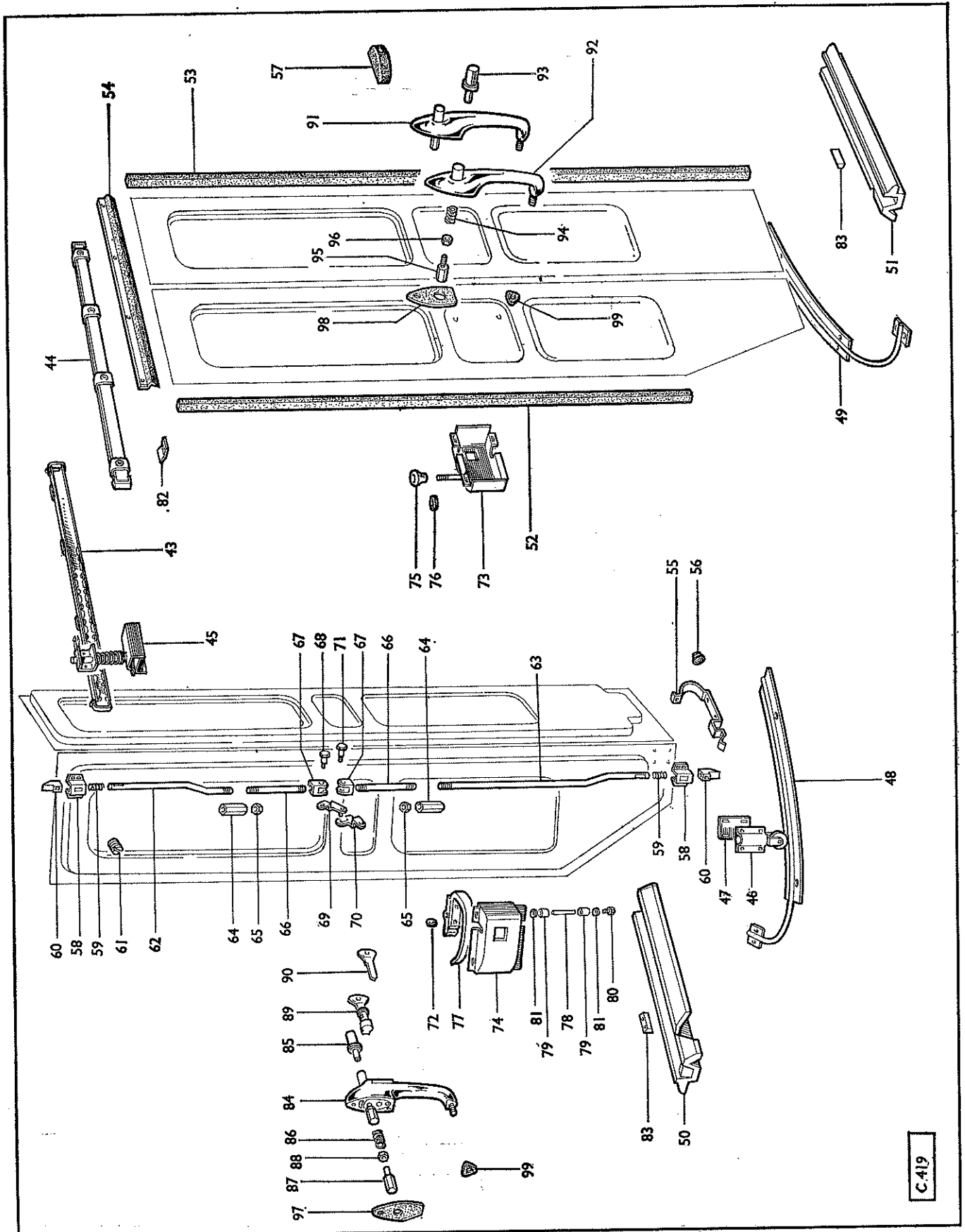


PLATE B - SECTION RB

C-419

BODY - HARDWARE - DOORS

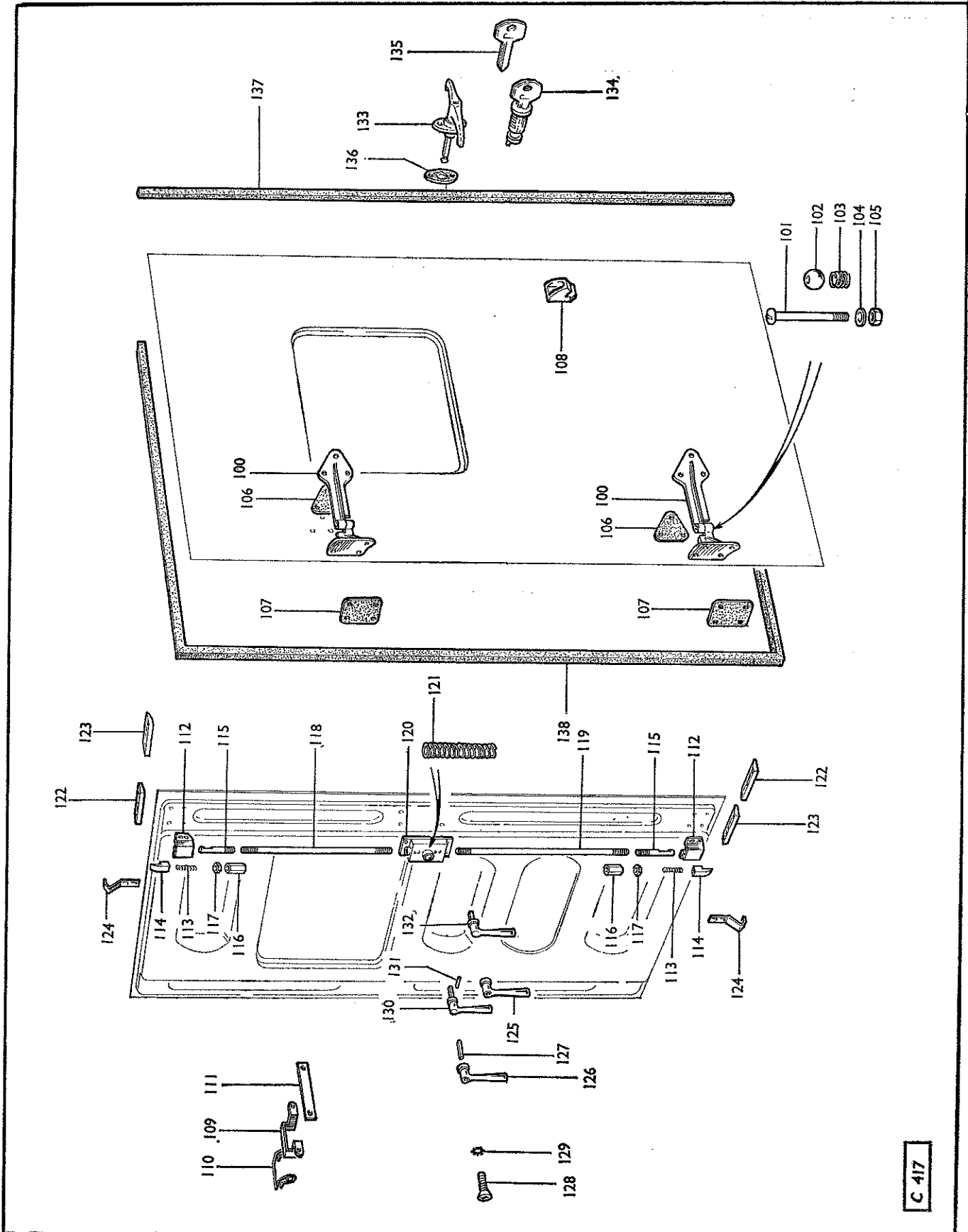


PLATE C - SECTION RB

BODY – HARDWARE – DOORS

Plate Ref.	Part Number	DESCRIPTION	No. per Veh.	REMARKS
SLIDING – Van models				
A1	3050016	BRACKET – Ball slide hanger	4	See Note 1 } Page RB3
A2	3058589	TRAVELLER ASSEMBLY – Sliding	4	
	19504052	Bolt – Bracket or traveller to door	12	See Note 2 } Page RB3
	9068011	Washer – Plain	12	
	9660163	Washer – Spring	12	See Note 1 – Page RB3
A3	3050015	BALL SLIDE ASSEMBLY	2	
	49505082	Screw – Bracket to ball slide assembly	8	See Note 2 – Page RB3
A4	3058590	TRACK ASSEMBLY – Top	2	
	39104111	Screw – Ball slide or track to body	10	See Note 3 – Page RB3
	9068011	Washer – Plain	10	
	9068020	Washer – Plain	10	See Note 4 – Page RB3
	9552043	Nut – Nyloc	10	
A5	3050017	COVER – R.H. – Sliding door gear – Top	1	See Note 3 – Page RB3
A6	3050018	Cover – L.H.	1	
	49313082	Screw – Cover to body	10	See Note 4 – Page RB3
	9067095	Washer – Plain	10	
A7	H.98785	ROLLER – Guide – Bottom	4	See Note 3 – Page RB3
A8	3018096	Plate – Roller guide	4	
	3058592 s/d 3061665	Roller guide – Bottom	4	See Note 4 – Page RB3
A9	3061665	Roller guide	4	
	19504052	Screw – Roller guide to door	16	See Note 3 – Page RB3
	9068011	Washer – Plain	16	
	9660163	Washer – Spring	16	See Note 4 – Page RB3
A10	3050021	TRACK – Roller – Bottom	2	
	39113082	Screw – Track to body	18	See Note 3 – Page RB3
	9067096	Washer – Plain	18	
	9660123	Washer – Spring	18	See Note 4 – Page RB3
	9510031	Nut	18	
A11	3018490	STOP (Rubber) – Door slide	2	See Note 3 – Page RB3
	39312081	Screw – Stop to ‘B’ post	2	
	9660113	Washer – Spring	4	See Note 4 – Page RB3
	9510020	Nut	4	
A12	3018137	BRACKET – Door stop	4	See Note 3 – Page RB3
	19504082	Screw – Bracket to side panel	8	
	9660163	Washer – Spring	8	See Note 4 – Page RB3
A13	3018103	STOP (Rubber)	4	
	39302141	Screw – Stop to bracket	8	See Note 3 – Page RB3
	9067095	Washer – Plain	8	
	9660123	Washer – Spring	8	See Note 4 – Page RB3
	9510020	Nut	8	
A14	3051020	LOCK ASSEMBLY – Cylinder – R.H. – FP Series	1	When ordering always quote number stamped on lock
# A15	H.111745	Key No longer supplied	2	
A16	3018154	Clip – Retainer – Cylinder lock	1	See Note 3 – Page RB3
A17	3018192	Packing	1	
	3050088 s/d 73110972	LOCK ASSEMBLY – R.H. – Interior	1	See Note 4 – Page RB3
	3050089 s/d 73110973	Lock assembly – L.H.	1	
A18	73110972	Lock assembly – R.H.	1	See Note 3 – Page RB3
A19	73110973	Lock assembly – L.H.	1	
	39113082	Screw – Lock to door	8	See Note 4 – Page RB3
	9663123	Washer – Shakeproof	8	
A20	9118529	Grommet – L.H.	1	See Note 3 – Page RB3
A21	3018194	Grip – L.H.	1	

BODY – HARDWARE – DOORS

Plate Ref.	Part Number	DESCRIPTION	No. per Veh.	REMARKS
		SLIDING – Van models – Continued		
A22	3018297	STRIKER – Lock – 'B' post	2	
A23	3018298	Buffer – Striker	2	
	39314101	Screw – Striker to 'B' post	4	
	9068010	Washer – Plain	4	
	9660163	Washer – Spring	4	
A24	3050108	PANEL – Door lock access	2	
	9773083	Screw – Tapping – Panel to door	12	
	9067095	Washer – Plain	12	
	9020042	Spire nut	12	
A25	3050111	CATCH ASSEMBLY – R.H. – Door retaining – Rear	1	
	3050112	Catch assembly – L.H.	1	
	5039662	Spring – Return	2	
	39113061	Screw – Catch assembly to access panel	6	
	9663123	Washer – Shakeproof	6	
A26	3050065	STRIKER ASSEMBLY – Door retaining – Rear	2	
	39314101	Screw – Striker assembly to door casing panel	4	
	9068011	Washer – Plain	8	
	9660163	Washer – Spring	4	
	9510041	Nut	4	
A27	3050087	HANDLE ASSEMBLY – Outside (Chrome)	2	
A28	3052425	HANDLE ASSEMBLY – Inside (Grey paint)	2	
	39103051	Screw – Handle to door and access panel	16	
	9067012	Washer – Plain	8	
	9663123	Washer – Shakeproof	16	
A29	3018152	Packing	8	
A30	3017988	SEAL – Top	2	
A31	3017989	Retainer – Seal	2	
	9772086	Screw – Tapping – Retainer to body	12	
A32	3019843	Weatherstrip – Top	2	
	9143017	Rivet – Weatherstrip to door	14	
A33	3017985	SEAL – Front	2	
A34	3019881	Channel – Seal retaining	2	
	9143255	Rivet – Channel to 'B' post	18	
	3019864 s/d 3021522	SEAL – Rear	2	} Early condition Late condition
A35	3019867	Channel – Seal retaining	2	
A36	3021522	Seal – Rear	2	
A37	3019865	SEAL – Lower – Rear	2	
A38	3019866	Plate – Seal retaining	2	
	9774086	Screw – Tapping – Plate retaining	4	
	9067096	Washer – Plain	4	
A39	3074477	SEAL ASSEMBLY – R.H. – Lower	1	
A40	3074478	Seal assembly – L.H.	1	
A41	3018495	Spring – Seal	2	
A42	3018497	Seal – Lower	2	
	3018496	Screw – Shouldered – Seal assembly to door	4	

BODY – HARDWARE – DOORS

Plate Ref.	Part Number	DESCRIPTION	No. per Veh.	REMARKS
		<p>SLIDING – Van Models – Continued</p> <p>NOTES</p> <p>NOTE 1. Used prior to chassis numbers detailed in Note 2</p> <p>NOTE 2. Introduction of revised ball slides from chassis numbers: KA 008802, 008806, 008809/10, 008813, 008819 onwards CKD KA 700295.</p> <p>NOTE 3. Used prior to chassis numbers detailed in Note 4.</p> <p>NOTE 4. Introduction of revised sliding door roller guide from chassis numbers: KA 008877, 008884, 008887 to 008932, 008936 onwards CKD KA 700325.</p>		

BODY – HARDWARE – DOORS

Plate Ref.	Part Number	DESCRIPTION	No. per Veh.	REMARKS
		FOLDING – Cab Models		
	9772066	Screw – Tapping – Hinge – Door to back panel pillar ..	6	
	9143255	Rivet	40	
		DOOR HINGE		See Sheet Metal Section
B43	3051204	BALL TRACK ASSEMBLY – R.H. – Top	1	
B44	3051205	Ball track assembly – L.H.	1	
	39104111	Screw – Track assembly to body	8	
B45	3051202	BRACKET ASSEMBLY – R.H. – Door hanger	1	
	3051203	Bracket assembly – L.H.	1	
	19504052	Screw – Bracket to door	6	
	9067098	Washer – Plain	6	
	9660163	Washer – Spring	6	
B46	H.98785	ROLLER GUIDE – Door bottom	2	
B47	3018096	Plate – Roller guide	2	
	19504052	Screw – Roller guide to door	8	
	9067098	Washer – Plain	8	
	9660163	Washer – Spring	16	
B48	3051206	TRACK – R.H. – Bottom	1	
B49	3051207	Track – L.H.	1	
	39113081	Screw – Track to step tread	12	
	9660123	Washer – Spring	12	
	9510031	Nut	12	
B50	3074716	STEP TREAD – R.H. – Step well edge	1	
B51	3074717	Step tread – L.H.	1	
	39104121	Screw – Step tread to step well	6	
	9068011	Washer – Plain	6	
	9660163	Washer – Spring	6	
	9510041	Nut	6	
B52	3018992	SEAL – Front	2	
B53	3018993	Seal – Rear	2	
B54	3051258	Seal – Top	2	
	9143255	Rivet – Top seal to body	8	
B55	3019143	RETAINER – Spring – Door open	2	
B56	9119013	Buffer – Retainer	2	
	19804052	Screw – Retainer to step tread panel	4	
	9067097	Washer – Plain	4	
	9067099	Washer – Plain	4	
	9660163	Washer – Spring	4	
	9510041	Nut	4	
B57	W.15920	PROTECTION RUBBER	2	
	39323120	Screw – Protection rubber to rear doors	4	
	9067007	Washer – Plain	4	
B58	3018573	CASE ASSEMBLY – Lock – Upper and lower	4	
B59	3018591	Spring – Coil	4	
B60	3018576	Bolt – Shoot	4	
B61	9059020	Screw – Grub	4	
	79040093	Screw – Upper and lower case assembly to door	16	
	9067095	Washer – Plain	16	
	9660123	Washer – Spring	16	
B62	3051210	Rod – Top – Case assembly to door lock	2	
B63	3051234	Rod – Bottom	2	

BODY – HARDWARE – DOORS

Plate Ref.	Part Number	DESCRIPTION	No. per Veh.	REMARKS
		FOLDING – Cab Models – Continued		
B64	3018570	Connector – Rod	4	
B65	3018571	Locknut – L.H. thread	4	
	9520051	Locknut – R.H. thread	4	
B66	3018990	Rod – Short	4	
B67	3018989	Fork end – Rod to lock lever	4	
B68	3018991	Screw – Shouldered – Fork end to lock lever	4	
	9067097	Washer – Plain	4	
	9067094	Washer – Plain	4	
	9552034	Nut – Nyloc No longer supplied	4	
B69	3018985	LEVER ASSEMBLY – R.H. Top – L.H. Bottom – Lock	2	
B70	3018988	Lever – L.H. Top – R.H. Bottom	2	
B71	3018998	Pin – Lever to door	4	
	3018997	Washer – Nylon	4	
	9067095	Washer – Plain	2	
	9552043	Nut – Nyloc	4	
B72	3018996	Roller – Lock	2	
	9013280	Screw – Retainer – Lock striker	4	
	9067098	Washer – Plain	4	
B73	3051253	PANEL ASSEMBLY – L.H. – Lock cover	1	
B74	3051254	Panel – R.H.	1	
B75	3018194	Grip – L.H.	1	
B76	9116011	Grommet – L.H.	1	
	39303084	Screw – Panel to door	8	
	9067094	Washer – Plain	8	
B77	3051248	HANDLE ASSEMBLY – Interior	2	
B78	3018995	Pin – Idler – Handle	2	
B79	3018994	Roller	4	
B80	19503032	Screw – Pin to panel	4	
B81	9067095	Washer – Plain	4	
B82	3019015	PLATE – Striker – Top – Door closed	2	
	19503051	Screw – Striker plate to body	4	
	9660163	Washer – Spring	4	
B83	3019017	STRIKER – Lower – Door closed	2	
	9714106	Screw – Tapping – Striker to step tread No longer supplied	4	
	3051272 s/d 3059725	HANDLE ASSEMBLY – Outside – Locking	1	2 stud fixing
B84	3059725	Handle assembly	1	3 stud fixing
B85	K.26017	Button – Push	1	
B86	H.95223	Spring – Button	1	
B87	3019688	Screw – Special – Button No longer supplied	1	
B88	9510031	Nut – Locking – Screw	1	
B89	5060183	Lock – Cylinder – ST series	1	} When ordering always quote number stamped on lock
# B90	5240415	Key No longer supplied	2	
B91	3051273	HANDLE ASSEMBLY – Outside – Non-locking	1	2 stud fixing
B92	3059726	Handle assembly	1	3 stud fixing
B93	K.26017	Button – Push	1	
B94	H.95223	Spring – Button	1	
B95	3019688	Screw – Special – Button No longer supplied	1	
B96	9510031	Nut – Locking – Screw	1	} Use with 3051272, 3051273 and 3059725 Handles
B97	H.94639	Gasket – Upper – Seating – Handle to door	2	

BODY – HARDWARE – DOORS

Plate Ref.	Part Number	DESCRIPTION	No. per Veh.	REMARKS
		FOLDING – Cab Models – Continued		
B98	3024399	Gasket	2	Use with 3059726 Handles
	H.94638 s/d 3024398	Gasket – Lower	2	
B99	3024398	Gasket	2	} Use with 3051272 and 3051273 Handles
	9050053	Screw – Upper – Handle to door No longer supplied	2	
	9663123	Washer – Spring	2	
	9663123	Washer – Spring – Lower – Handle to door	2	
	9029010	Nut	2	
	39313121	Screw – Upper – Handle to door	2	} Use with 3059725 and 3059726 Handles
	9663123	Washer – Spring	2	
	9664163	Washer – Spring – Lower – Handle to door	2	
	9510041	Nut	2	

BODY – HARDWARE – DOORS

Plate Ref.	Part Number	DESCRIPTION	No. per Veh.	REMARKS	
REAR – Van Models					
C100	3049914	HINGE ASSEMBLY – R.H.	2		
	3049915	Hinge assembly – L.H.	2		
C101	5039236	Pin – Hinge	4		
C102	5039237	Ball	4		
C103	5039238	Spring	4		
C104	5039239	Washer – Special	4		
C105	5039240	Nut	4		
C106	3017960	Packing – Hinge to door	4		
	19505082	Bolt	12		
C107	9067032	Washer – Plain	12		
	9660203	Washer – Spring	12		
	9510051 s/d 5221350	Nut	12		
	3017961	Packing – Hinge to quarter panel	4		
	19505082	Setscrew	16		
	9067027	Washer – Plain	16		
	9660203	Washer – Spring	16		
	9510051 s/d 5221350	Nut	16		
	3018715	STRIKER – R.H. – Retaining – Door	1		
	C108	3018716	Striker – L.H.	1	
39103141		Screw – Striker to rear door	4	No longer supplied	
C109	39103201	Screw	4	No longer supplied	
	3027135	Packing – Striker	2		
	9067088	Washer – Plain	4		
	9660123	Washer – Spring	4		
	9510031	Nut	4		
	3018713	CATCH ASSEMBLY – Door retaining	2		
	C110	3018714	Spring	2	
		3020058	Packing – Catch assembly to van side upper	4	
	C111	19504062	Screw	4	
		9067098	Washer – Plain	4	
9660163		Washer – Spring	4		
3018717		Plate – Tapped	2		
C112	3018573	CASE ASSEMBLY – Lock – Upper and lower	4		
C113	3018591	Spring – Coil	4		
C114	3018576	Bolt – Shoot	4		
	39313081	Screw – Upper and lower case assembly to door	16		
C115	9067008	Washer – Plain	16		
	9663123	Washer – Shakeproof	16		
	3018572	Rod – Spacer	4		
C116	3018570	Connector	4		
C117	3018571	Lock nut – L.H. thread	4		
	9520051	Lock nut – R.H. thread	4		
C118	3018568	Rod – Upper – Case assembly to lock assembly	2		
C119	3018569	Rod – Lower	2		
C120	3050765	LOCK ASSEMBLY	2		
C121	3018563	Spring – Lock assembly	4		
	39313071	Screw – Lock assembly to door	8		
	9663123	Washer – Shakeproof	8		

Used without packing prior to chassis number KC 300535 CKD KC 801330

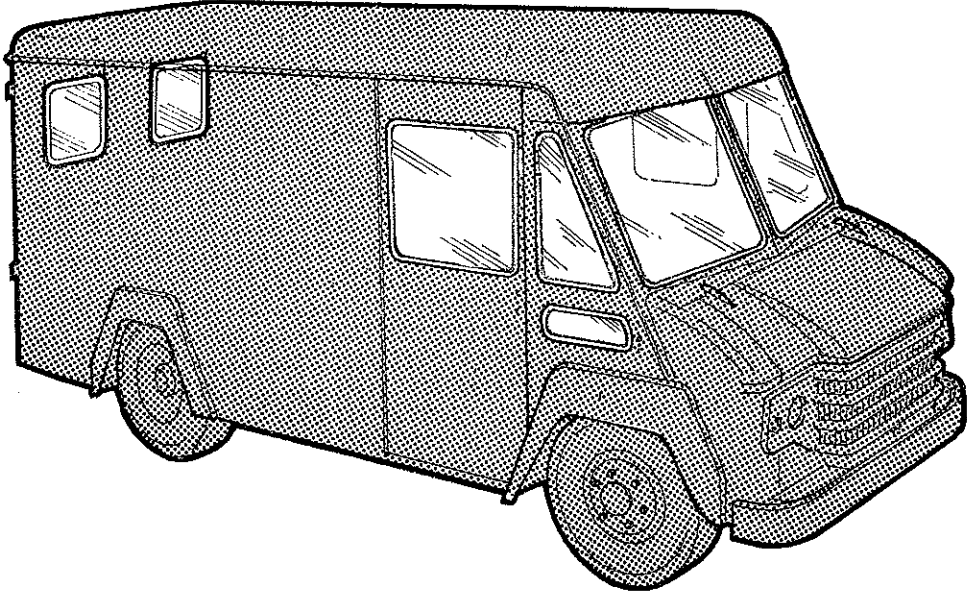
Used from chassis number KC 300535 CKD KC 801330

BODY – HARDWARE – DOORS

Plate Ref.	Part Number	DESCRIPTION	No. per Veh.	REMARKS
		REAR – Van Models – Continued		
C122	3018544 s/d 3024344	STRIKER – R.H. Top – L.H. Bottom	2	
	3024344	Striker	2	
C123	3018545 s/d 3024345	Striker – L.H. Top – R.H. Bottom	2	
	3024345	Striker	2	
	39313101	Screw – Striker to roof rail and floor	12	
	9067094	Washer – Plain	12	
C124	9663123	Washer – Shakeproof	12	
	3018040	WEDGE	4	
	19503051	Screw – Wedge to door	8	
	9068009	Washer – Plain	8	
	9663123	Washer – Shakeproof	8	
C125	H.97568	HANDLE ASSEMBLY – L.H. – Inside	1	} See Note 1 – Page RB8
	39203110	Screw – Handle to lock	1	
	9666123	Washer – Shakeproof	1	
C126	3019952	HANDLE – L.H. – Inside	1	} See Note 2 – Page RB8
C127	3019986	Shank – Handle	1	
C128	39213121	Screw – Handle to shank	1	
C129	9666123	Washer – Shakeproof	1	
	39313101	Screw – Shank to lock	1	
	9067013	Washer – Plain	1	
	9663123	Washer – Shakeproof	1	
C130	W.16200 s/d H.97568	HANDLE – R.H. – Inside	1	} See Note 1 – Page RB8
C131	W.16201	Pin (Serrated)	1	
C132	3019952	HANDLE – R.H. – Inside	1	} See Note 2 – Page RB8
	39213121	Screw – Handle to outside handle shank	1	
	9666123	Washer – Shakeproof	1	
C133	3049940	HANDLE ASSEMBLY – R.H. – Outside	1	} When ordering always quote number stamped on lock
C134	3018658	Cylinder lock – FP Series	1	
# C135	H.111745	Key No longer supplied	2	
	H.74730	Bolt – Cylinder lock No longer supplied	1	
C136	H.27326	Packing – Escutcheon	1	
	39223102	Screw – Handle to door	2	
C137	3017999	SEAL – Centre – 63·5" (1613 mm) long	1	
	3050303 s/d 3055149	Seal – Outer	2	
C138	3055149	Seal	2	
NOTES				
NOTE 1. Used prior to chassis numbers detailed in Note 2.				
NOTE 2. Used on and after chassis numbers: KA 3023 000440/3/4/7, 000470/72 onwards KA 4023 000206/210/212, 000215/217 onwards.				

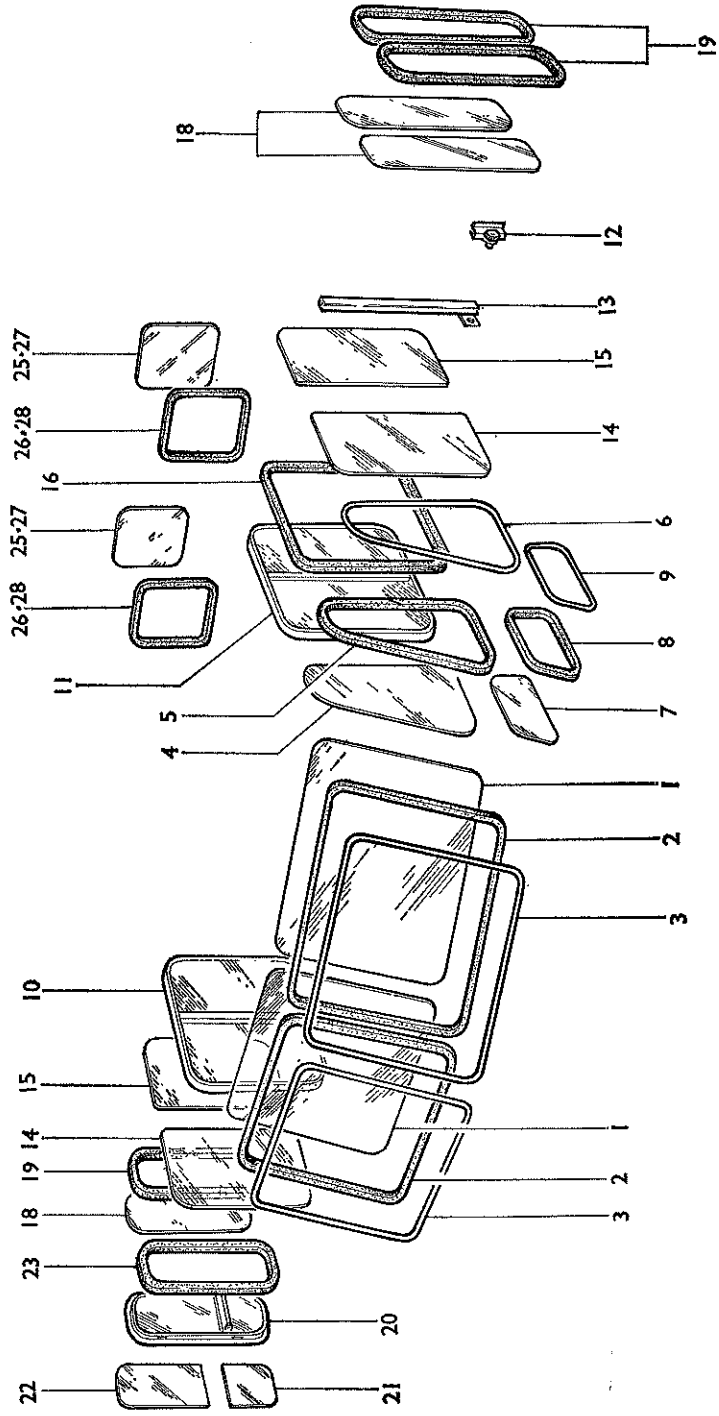
SECTION RC

BODY — GLAZING



BODY - GLAZING

C-420



SECTION RC

BODY – GLAZING

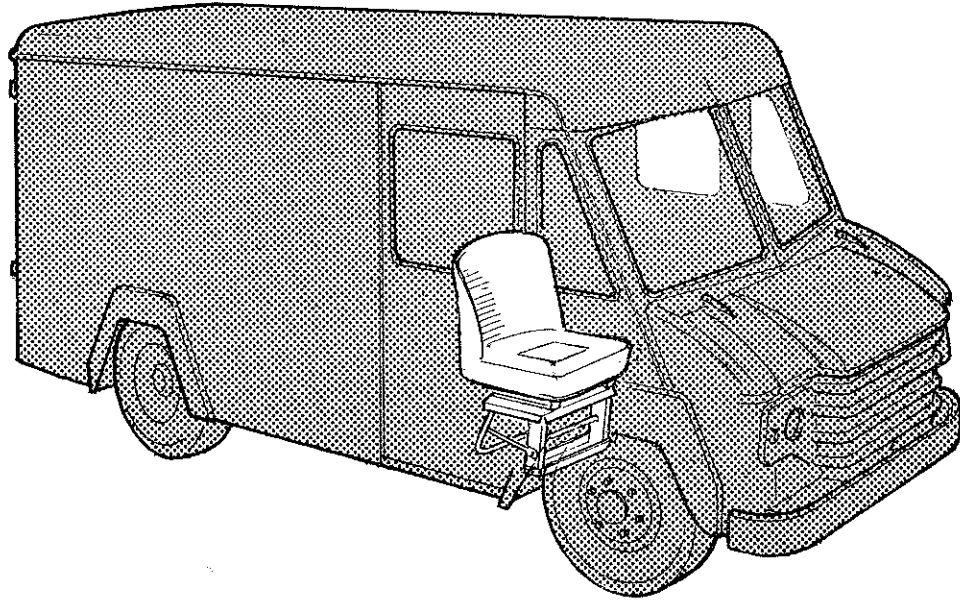
Plate Ref.	Part Number	DESCRIPTION	No. per Veh.	REMARKS
WINDSCREEN				
1 2 3	3049799 s/d 3062211	GLASS – Laminated	2	} Special order for France only
	3054340 s/d 73054340	Glass – 25" (6.4 mm) thick – Float – Laminated plate ..	2	
	73054340	Glass – 23.6" (5.9 mm) thick No longer supplied	2	
	3062211	Glass – Float – Zone toughened	2	
	3049800	Rubber – Glazing – Glass to front screen panel	2	
	3018900	Filler – Glazing rubber	A/R	
QUARTER LIGHT				
4 5 5 6	3049801	Glass – Toughened	2	
	3049802	Rubber – R.H. – Glazing – Glass to quarter panel	1	
	3049803	Rubber – L.H.	1	
	3018900	Filler – Glazing rubber	A/R	
KERB LIGHT				
7 8 8 9	3017904	GLASS – Toughened	2	
	3017907	Rubber – R.H. – Glazing – Glass to quarter panel	1	
	3017908 s/d 3017907	Rubber – L.H.	1	
	3018900	Filler – Glazing rubber	A/R	
DOORS – SLIDING – Van Models				
10 11 12 13 14 15 16 17	3050119 s/d 3057038	WINDOW ASSEMBLY – R.H.	1	} See Note 1 – Page RC2
	3050120 s/d 3057039	Window assembly – L.H.	1	
	3051415	Glass – Sliding – Toughened	2	
	3051416	Glass – Fixed	2	
	9119568	Stop – Rubber No longer supplied	4	} See Notes 1 and 3 – Page RC2
	3018195	Seal – Window assembly to door No longer supplied	2	
	3057038	WINDOW ASSEMBLY – R.H.	1	} See Note 2 – Page RC2
	3057039	Window assembly – L.H.	1	
	3022817	Catch mechanism	2	
	3024612	Channel assembly – R.H. – Centre	1	
	3024613	Channel assembly – L.H.	1	
	3057064	Glass – Front – Sliding – Toughened	2	
	3057040	Glass – Rear	2	
	3057258	Seal (Rubber)	2	
	3022755	Wedge – Window assembly to door	16	

BODY – GLAZING

Plate Ref.	Part Number	DESCRIPTION	No. per Veh.	REMARKS
DOORS – FOLDING – Cab Models				
18	3051262	GLASS – Toughened	3	} Prior to chassis number KA 008522 – CKD KA 700293 See Note 3 – Page RC2 } From chassis number KA 008522 CKD KA 700293
19	3051261	Weatherstrip – Glass	3	
	3074792 s/d 3057212	WINDOW ASSEMBLY – Signalling	1	
	3051558	Glass – Sliding – Toughened	1	
	3051557	Glass – Fixed	1	
	3019297	Seal (Rubber) – Window assembly to door No longer supplied	1	
20	3057212	WINDOW ASSEMBLY – Signalling	1	
21	3057271	Glass – Sliding – Toughened	1	
22	3057270	Glass – Fixed	1	
23	3057259	Seal (Rubber)	1	
24	3022755	Wedge – Window assembly to door	6	
DOORS – REAR – Van Models				
25	3050238	GLASS – Toughened	2	
26	3050239	Weatherstrip – Glass to door	2	
BACKLIGHT – Cab Models				
27	3050238	GLASS – Toughened	2	
28	3051263	Weatherstrip – Glass to rear panel	2	
NOTES				
NOTE 1. Used prior to chassis numbers detailed in Note 2.				
NOTE 2. Introduction of revised sliding window assemblies from chassis numbers: KA 008708, 008715 to 0088718, 008721, 008725 to 008736, 008740 to 008765, 008768 to 008796, 008815 onwards. CKD KA 700295. When using 3057038/9 Sliding window assemblies to replace 3050119/20 Sliding window assemblies it will also be necessary to use 3057258 Seal (1 off per window unit) and 3022755 Wedge (8 off per window unit). It may also be necessary to slightly modify the window aperture.				
NOTE 3. 3018195 and 3019297 Seal – Window assemblies are not used in production on later vehicles. A proprietary "Seal-a-stick" is now used in this application.				

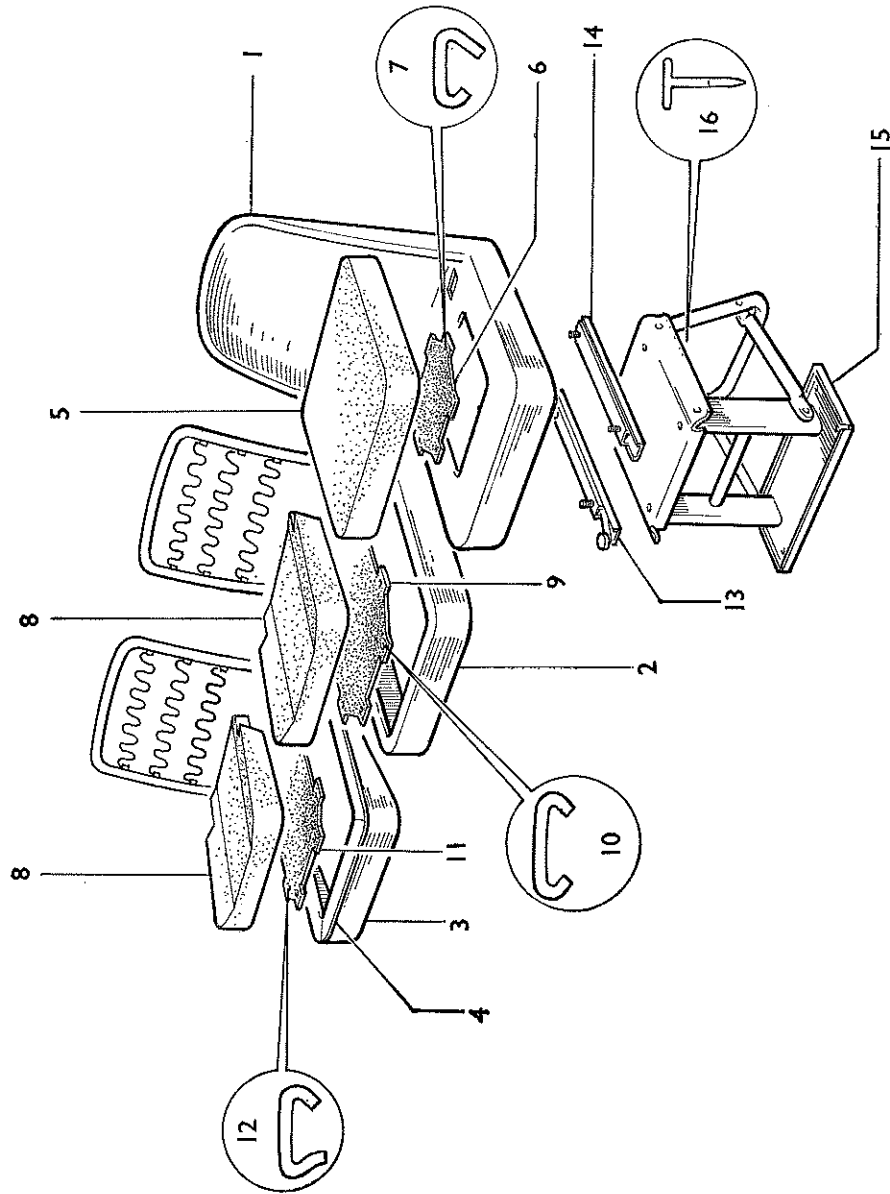
SECTION RD

BODY — SEATS



BODY - SEATS

C 421



SECTION RD

BODY – SEATS

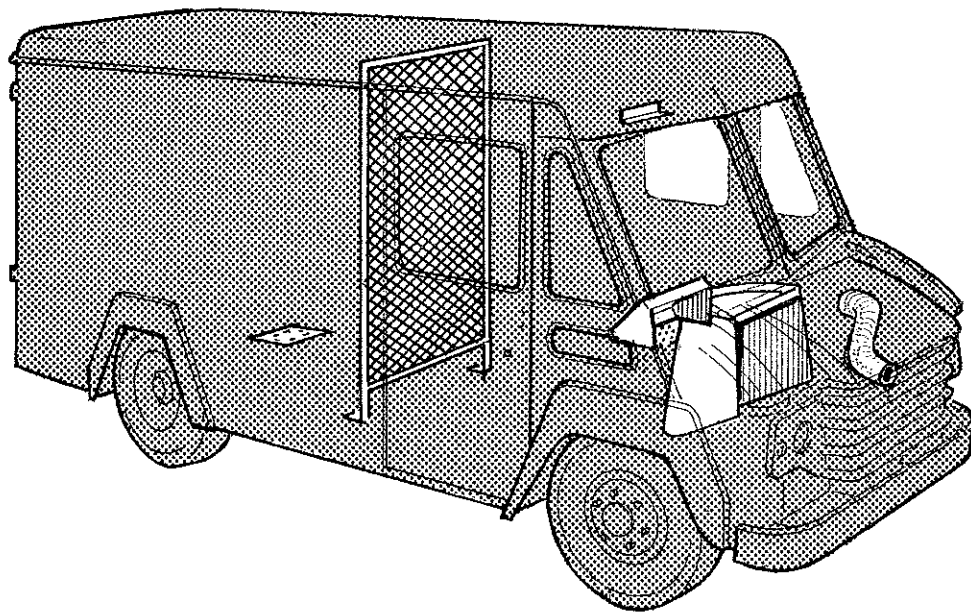
Plate Ref.	Part Number	DESCRIPTION	No. per Veh.	REMARKS
	3074471	COMPLETE ASSEMBLY (Red) – R.H.D. Driver – L.H.D. Passenger – Trimmed .. No longer supplied	1	} Rounded Squab – See Note 2 – Page RD2
	3074472	Complete assembly (Red) – L.H.D. Driver – R.H.D. Passenger .. No longer supplied	1	
	3077396 s/d 3079345	COMPLETE ASSEMBLY (Black) – R.H.D. Driver – L.H.D. Passenger	1	} Square Squab – See Note 3 – Page RD2
	3079345	Complete assembly	1	
	3077397 s/d 3079346	Complete assembly (Black) – L.H.D. Driver – R.H.D. Passenger	1	
	3079346 s/d 73080671	Complete assembly	1	
		FRAME ASSEMBLY (Red) – R.H.D. Driver – L.H.D. Passenger – Trimmed		} Rounded Squab – Not supplied – See Note 2 – Page RD2
		Frame assembly (Red) – L.H.D. Driver – R.H.D. Driver ..		
	73080670	FRAME ASSEMBLY (Black) – R.H.D. Driver – L.H.D. Passenger – Trimmed	1	} Square Squab – See Note 3 – Page RD2
	73080671	Frame assembly (Black) – L.H.D. Driver – R.H.D. Passenger	1	
1	3052468 s/d 3059188	FRAME ASSEMBLY – R.H.D. Driver – L.H.D. Passenger	1	} Rounded Squab (Trimmed Red)
	3059188	Frame assembly	1	
	3052469 s/d 3059189	Frame assembly – L.H.D. Driver – R.H.D. Passenger ..	1	
	3059189	Frame assembly No longer supplied	1	
2	3058770 s/d 73064722	FRAME ASSEMBLY – R.H.D. Driver – L.H.D. Passenger	1	} Square Squab (Trimmed Black) – See Note 4 – Page RD2
	3058771 s/d 73064723	Frame assembly – L.H.D. Driver – R.H.D. Passenger ..	1	
3	73064722	FRAME ASSEMBLY – R.H.D. Driver – L.H.D. Passenger	1	} Square Squab – (Trimmed Black) – See Note 5 – Page RD2 See Trim Section
	73064723	Frame assembly – L.H.D. Driver – R.H.D. Passenger ..	1	
4	73028384	Strip – Support – Diaphragm to frame	2	
	73028385	Strip No longer supplied	2	
5	3052477	COVER ASSEMBLY – Cushion	1	} Rounded Squab (Trimmed Red) } See Note 4 – Page RD2 } See Note 5 – Page RD2 } See Trim Section Rounded Squab (Trimmed Red) Square Squab (Trimmed Black)
6	2217315	Valance (Rubber) – Platform	1	
7	9216070	Link – Valance to frame	6	
	9130042	Clip – Trim	16	
8	3058780 s/d 3061533	Pad (Moulded polyurethane)	1	
	3061533	Pad	1	
9	3058774 s/d 3058775	Diaphragm assembly	1	
10	3058775	Diaphragm	1	
	5059719	Hook – 2" (50 mm) long	8	
11	3058775	Diaphragm	1	
12	75061434	Hook – 1.5" (38 mm) long	8	
	9130008	Clip – Trim	12	
		COVER ASSEMBLY – Squab		
	79132535	Clip – Trim – Squab	2	
	9130001	Clip	8	
13	3051588 s/d 3058804	SLIDE ASSEMBLY – R.H. – Complete with adjusting lever	1	} Drivers – Adjustable
	3058804 s/d 3062541	Slide assembly – R.H.	1	
	3062541	Slide assembly – R.H.	1	
	3051589 s/d 3058805	Slide assembly – L.H. – Without adjuster	1	
	3058805 s/d 3062542	Slide assembly – L.H. – Complete with stop	1	
14	3062542	Slide assembly – L.H.	1	

BODY – SEATS

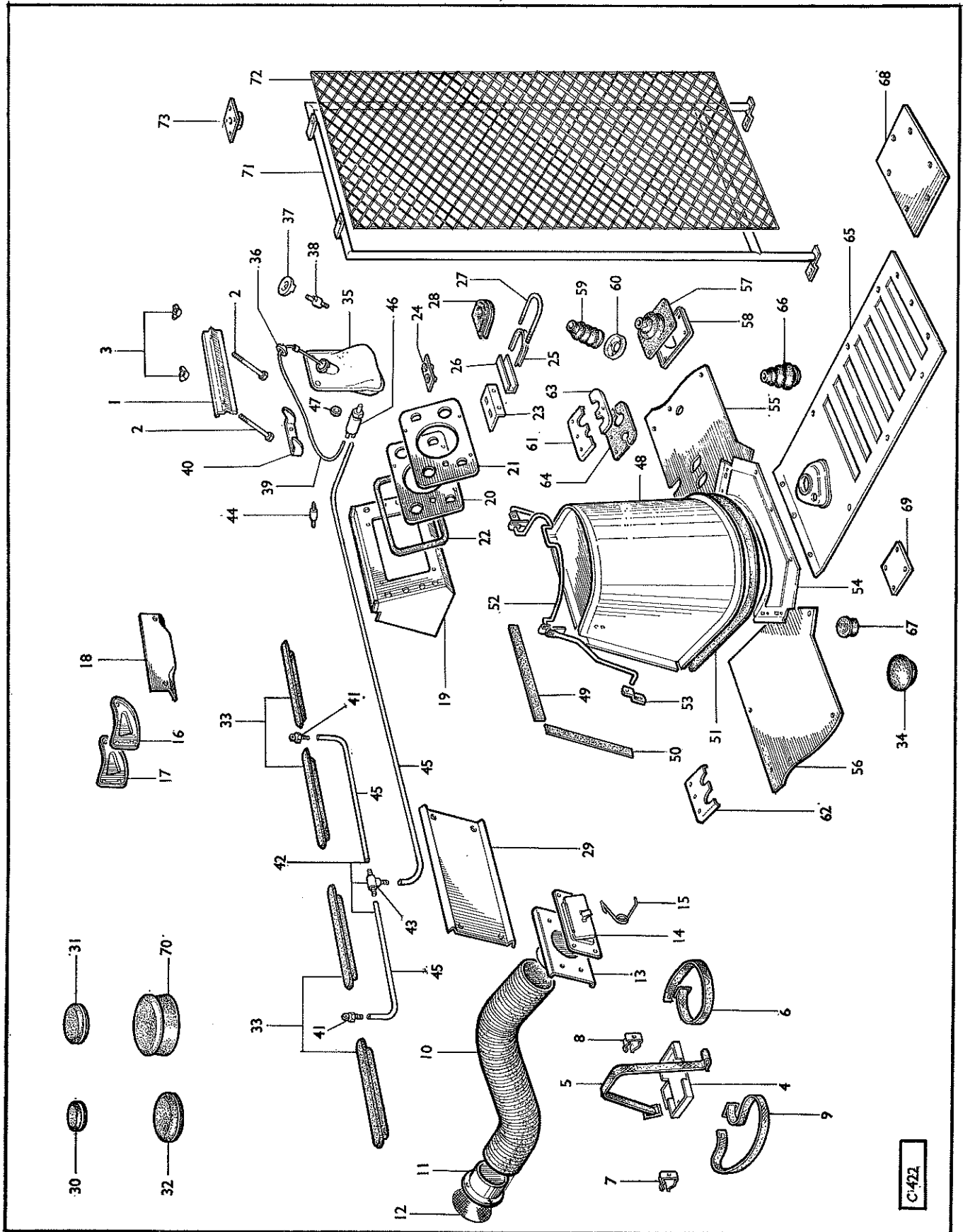
Plate Ref.	Part Number	DESCRIPTION	No. per Veh.	REMARKS
		COMPLETE ASSEMBLY – continued		
	9660203	Washer – Spring – Frame to slides	4	} Drivers – Adjustable
	9510051 s/d 5221350	Nut	4	
	39314101	Screw – Slides to support assembly No longer supplied	4	
	9660163	Washer – Spring	4	
	9510041	Nut	4	
	19504052	Bolt – Frame to support assembly	4	} Passenger – Fixed
	9068010	Washer – Plain	4	
	9660163	Washer – Spring	4	
	9510041	Nut	4	
15	3074198	SUPPORT ASSEMBLY	1	
	19805072	Screw – Support assembly to floor	4	
	9067028	Washer – Plain	4	
	9660203	Washer – Spring	4	
		Strap – “T” key retaining Not supplied		} See Note 1 – Page RD2
16	9143255	Rivet – Strap to support assembly	2	
	H.83392	“T” key – Bonnet lock	1	
NOTES				
NOTE 1. Bonnet key fitted to seat support from chassis numbers:				
KA 3023 000721 KA 4023 000357 KA 4035 000025 KA 6035 000077				
NOTE 2. Used from introduction of Walk Thru models until Spring 1966.				
NOTE 3. Used from the Spring of 1966 and chassis number KA 011186, CKD KA 700735, onwards.				
NOTE 4. Used prior to chassis numbers detailed in Note 5.				
NOTE 5. Used on and after chassis numbers:				
R.H.D. KC 301073 L.H.D. KC 300977 C.K.D. KC 802450-53				

SECTION RE

BODY FITTINGS-INTERIOR



BODY FITTINGS - INTERIOR



SECTION RE

BODY FITTINGS – INTERIOR

Plate Ref.	Part Number	DESCRIPTION	No. per Veh.	REMARKS
		ENGINE COMPARTMENT		
		TRAY ASSEMBLY – Battery		} See Body – Sheet Metal Section
##	3049784	STRAP – 15-5" (394 mm) long – Battery clamp	1	
##	3049785	Strap – 14-12" (359 mm) long	2	
##	3049783	Strap – 17-5" (445 mm) long	2	} Petrol models Diesel models } Special order only
##	3049784	Strap – 15-5" (394 mm) long	2	
##	3049783	Strap – 17-5" (445 mm) long	2	} Perkins 4-236 } only
2	3017893	Bolt – Strap to tray	2	
	9068010	Washer – Plain	2	} 4 off for Diesel models – Standard. Petrol models – Special order only
	9660163	Washer – Spring	2	
3	9566041	Nut – Wing	2	
4	3050949	TRAY ASSEMBLY – Jack.. .. .	1	
5	H.107646	Strap – Tray	1	
6	3019998	Strap – Jack lever retaining	2	
	9773066	Screw – Tapping – Strap to tray	2	
	9067093	Washer – Plain	2	
7	9178081	Clip – Jack handle	4	
	9771066	Screw – Tapping – Clip fixing	4	
8	9178085	Clip – Wheelbrace and tyre lever	4	
	9772066	Screw – Tapping – Clip fixing	8	
9	3018635	Strap – Tool roll	1	
	19504042 s/d 5221352	Screw – Tool roll strap fixing	1	
	9067098	Washer – Plain	1	
	9660163	Washer – Spring	1	
	9510041	Nut	1	
10	3018127	HOSE – Body air intake – Flange to heater or spigot assembly	2	
11	H.100791	Flange – Grille air intake	2	
12	3018912	Mesh (Wire)	2	
	9772066	Screw – Tapping – Flange and mesh to radiator baffle	8	
13	3050091	Spigot assembly – Dash air intake	2	} When heater not fitted
	9774123	Screw – Tapping – Spigot assembly to dash	8	
14	3051398	VENTILATOR ASSEMBLY	2	
15	3019137	Spring – Ventilator assembly	2	
	9774123	Screw – Tapping – Ventilator to dash	8	
		WIPER MOTOR MOUNTING		
16	H.100187	PLATE – Wiper motor mounting	1	} Van and Drive Away Front End Models
	19804052	Bolt – Plate to motor bracket	3	
	9067097	Washer – Plain	3	
	9660163	Washer – Spring	3	
17	3057794	PLATE ASSEMBLY – Wiper motor mounting	1	} Cab models from chassis numbers KA - 007366 CKD KA - 700196
	19804101	Bolt – Plate assembly to motor bracket	3	
	9067097	Washer – Plain	3	
	9660163	Washer – Spring	3	
18	3049817	PLATE – Cover – Wheel box	2	
	9772066	Screw – Tapping – Plate to windscreen header panel	4	

BODY FITTINGS – INTERIOR

Plate Ref.	Part Number	DESCRIPTION	No. per Veh.	REMARKS
DASH AND FITTINGS				
19	3074118	PANEL BOX ASSEMBLY – RHD – Instrument	1	
	3074119	Panel box assembly – LHD No longer supplied	1	
	39333101	Screws – Panel box assembly to dash	8	
	9067096	Washer – Plain	2	
	9660123	Washer – Spring	8	
	9564031 s/d 5058077	Nut	2	
	9020210	Nut – Grip	6	
20	3049805	PANEL – RHD – Instrument	1	} KA models and KC 3023 models See also note 1 – Page RE6
	3049806	Panel – LHD No longer supplied	1	
21	3061753	Panel – RHD	1	} KC 40/60 models See also note 2 – Page RE6
	3061754	Panel – LHD	1	
22	3017911	Seal – Instrument panel to box assembly	1	
	9733106	Screw – Tapping	4	
	9660203	Washer – Spring	2	
	9020015	Spire nut	4	
23	3049816	ANGLE SUPPORT – Steering column	1	} Prior to chassis number KC 30-321998 CKD Pack No. 448
	19505052 s/d 5220684	Setscrew – Angle support to panel box assembly	2	
	9067033	Washer – Plain	2	
	9660203	Washer – Spring	2	
	79510051	Nut	2	
	73037861	Bracket assembly – Steering column support	1	} From chassis number KC 30-321998 CKD Pack No. 448
	9067027	Washer – Plain – Bracket to box assembly and support	2	
	9660203	Washer – Spring	2	
	79510051	Nut	2	
25	H.100775	Clamp – Steering column retaining	1	
26	H.100776	Plate – Clamp retainer	1	
27	9009002	'U' bolt	1	
28	H.100772	Grommet	1	
	9067023	Washer – Plain – Clamp to angle support	2	
	9510051 s/d 5221350	Nut	2	
29	3050205	PLATE – Dash backing No longer supplied	1	
	39333101	Screw – Plate fixing	5	
30	9116041	Grommet – Heater valve dash control hole	4	} 2 off on 23CV, OE138 } Diesel OE160, 4.203 } models
31	9116045	Grommet (Rubber) – Instrument panel	1	
32	9116046	Grommet (Rubber)	3	
33	3052660	Grommet (Rubber) – Demister nozzle	4	
34	9119505	Plug – Demister hole No longer supplied	2	
WINDSCREEN WASHER				
35	1801266	CONTAINER – Water	1	} Introduced as standard equipment from chassis numbers KC 020276 CKD, KC 701691
36	75060099	Cap, Valve and tube assembly	1	
	5044763	Cap	1	
	7200171 s/d 71239120	Valve – Ball assembly – In-line	1	
	71239120	Valve – Washer assembly	1	
	7080089	Tube – 24" (575 mm) long	A/R	
37	5044763	Cap	1	} Late
38	73112162	Valve – Washer assembly – End of line	1	
39	7080089	Tube – 24" (575 mm) long	A/R	

BODY FITTINGS – INTERIOR

Plate Ref.	Part Number	DESCRIPTION	No. per Veh.	REMARKS
WINDSCREEN WASHER – Continued				
40	1801267	Bracket – Container to dash panel	1	
	9773066	Screw – Tapping – Bracket to dash panel	2	
41	75060098	Jet – Panel cowl top	2	
42	1801262	'T' piece, Valve and tube assembly	1	
43	7200170	'T' piece and ball valve assembly	1	
44	7200171 s/d 71239120	Valve – Ball assembly – In-line	1	} Not fitted on production in this application use 7200170
	71239120	Valve – Washer assembly	1	
45	7080089	Tube – 83" (2110 mm) long – Pump to jet	A/R	
46	1801263	Pump	1	
47	9067289	Washer – Pump to instrument panel	1	
ENGINE COWL				
48	3074103	COWL ASSEMBLY	1	
49	3018901 s/d 3017902	Seal – Dash – Top	1	} Was A/R – Order in feet
50	3018901 s/d 3017903	Seal – Dash – Side	2	
51	3018901 s/d 3017901	Seal – Floor	1	
52	3074284	Clamp assembly – Locking	1	
	39313081	Screw – Clamp assembly to cowl assembly	4	
	9067094	Washer – Plain	6	
	9660123	Washer – Spring	4	
	9510031	Nut	4	
53	3018156	Bracket – Clamp assembly to cowl assembly	2	
	39313081	Screw – Bracket to cowl assembly	4	
	9067094	Washer – Plain	4	
	9660123	Washer – Spring	4	
FLOOR FITTINGS				
	3074441 s/d 73080517	PANEL – Centre toeband	1	} Prior to chassis number KC 301152, CKD KC 802482
54	73080517	Panel	1	
	39333081	Screw – Toeboard panel to reinforcement	4	} From chassis number KC 301152, CKD KC 802482
	9067095	Washer – Plain	4	
	9663123	Washer – Shakeproof	4	
	9774086	Screw – Tapping – Toeband panel to panel drive cover	4	
	9067095	Washer – Plain	4	
	9663123	Washer – Shakeproof	4	
	9020048	Spirefix	4	
	3074442 s/d 3075866	PANEL – R.H. – R.H.D. – Drive cover	1	
55	3075866	Panel – R.H. – R.H.D.	1	
	3074443	Panel – L.H. – L.H.D.	1	
56	3074444	Panel – L.H. – R.H.D. – Drive cover plate	1	
	3074445	Panel – R.H. – L.H.D.	1	
	39333081	Screw – Drive cover panels to underframe	12	
	9067095	Washer – Plain	12	
	9663123	Washer – Shakeproof	12	

BODY FITTINGS – INTERIOR

Plate Ref.	Part Number	DESCRIPTION	No. per Veh.	REMARKS
		FLOOR FITTINGS – continued		
57	3049994 s/d 3054493	DRAUGHT EXCLUDER – Brake and clutch pedals	2	
	3054493	Draught excluder	2	
58	3018031 s/d 3022137	Plate – Draught excluder	2	
	3022137	Plate	2	
	9773083	Screw – Tapping – Brake and clutch plate fixing	8	
59	P.92098 s/d 3024868	DRAUGHT EXCLUDER – Accelerator rod	1	
60	3024868	Draught excluder	1	
	3018032	Plate – Draught excluder	1	
	9773083	Screw – Tapping – Accelerator plate fixing	3	
61	3018053 s/d 3024633	PLATE – Front – Handbrake and steering column seal ..	1	
62	3024633	Plate – Front – R.H.D.	1	
63	3024874	Plate – Front – L.H.D.	1	
	3018054	Plate – Rear	1	
64	3018052 s/d 3024634	Seal	1	
	3024634	Seal	1	
	9773083	Screw – Tapping – Handbrake and steering column plate fixing	5	
65	3074402	PANEL ASSEMBLY – Gearbox cover	1	
	39333101	Screw – Gearbox cover to underframe	12	
	9067398	Washer – Plain	12	
	9663123	Washer – Shakeproof	12	
66	P.92874 s/d 3059774	BELLOWS – Change speed lever	1	
	3059774	Bellows	1	
67	H.76871	Plug – Gearbox cover	1	
		FLOOR BOARDS Not supplied		
		PLATE – Floor board fixing Not supplied		
	39123081	Screw – Plates to longitudinal	88	} Early } Van models
	9020206	Spirenut	86	
	9020210	Spirenut	6	
68	9754126	Screw – Plates to longitudinal	88	} Late }
	3024430	Spirenut	88	
	3050407	PLATE – Differential cover No longer supplied	3	
		BODY MOUNTING COVERS		
69	3018454 s/d 9119521	Cover plate – Intermediate mounting	2	
70	9119521	Grommet No longer supplied	2	
		Pad and fixings		See Body Fittings – Exterior
		CHASSIS NAME PLATE		
	3017257 s/d 3024220	NAME PLATE	1	} KA models
	P.49274 s/d 9143013	Rivet – Name plate to dash panel	4	
	3024220	NAME PLATE No longer supplied	1	} KC models
	9143258	Rivet – Name plate to step well assembly	6	

BODY FITTINGS – INTERIOR

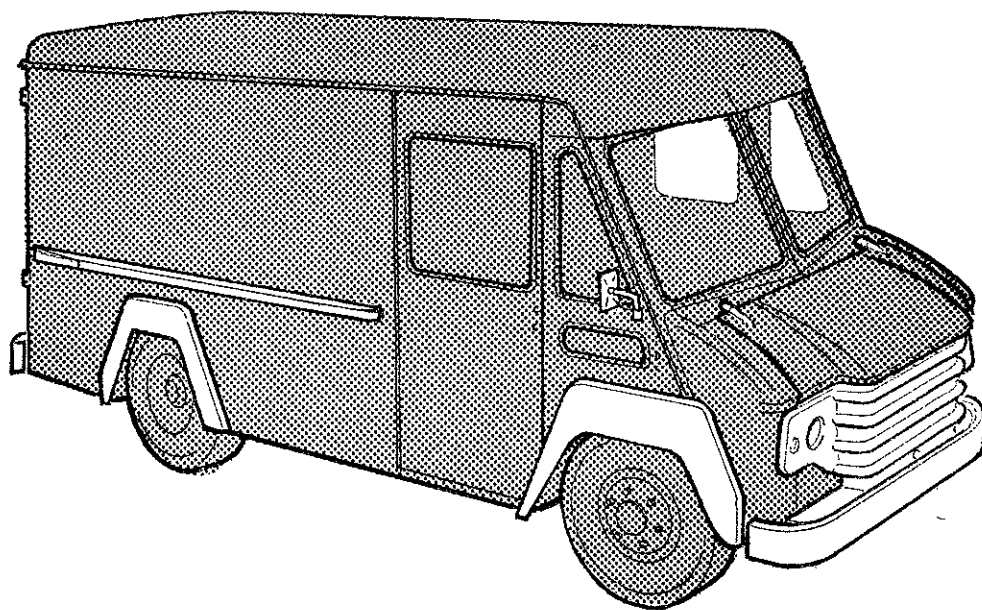
Plate Ref.	Part Number	DESCRIPTION	No. per Veh.	REMARKS
VAN PARTITION – SPECIAL ORDER ONLY				
71	3054991	PARTITION ASSEMBLY	1	
	3021761	Strip – Attachment – Partition to roof	No longer supplied	2
	3021762	Foot – Mounting	No longer supplied	2
72	3055008	Mesh (Wire)	No longer supplied	1
	3021760	Clip – Mesh to partition	No longer supplied	22
	9143062	Rivet	No longer supplied	22
	19505062	Bolt – Partition strip to plate assembly		2
	9660203	Washer – Spring		2
73	3021763	Plate assembly – Mounting – Roof rail	No longer supplied	2
	9143062	Rivet – Plate assembly to roof rail	No longer supplied	8
	39115241	Screw – Partition assembly to floor		4
	9067027	Washer – Plain		4
	9660203	Washer – Spring		4
	9510051 s/d 5221350	Nut		4

BODY FITTINGS – INTERIOR

Plate Ref.	Part Number	DESCRIPTION	No. per Veh.	REMARKS
		<p style="text-align: center;">NOTES</p> <p>NOTE 1. Used prior to chassis numbers detailed in Note. 2</p> <p>NOTE 2. Introduction of revised instrumentation to enable the vacuum gauge (when fitted) to be readily visible from the driving position. Introduced from chassis numbers:—</p> <p style="margin-left: 40px;">KC 30 – R.H.D. – 016755 KC 30 – L.H.D. – 018458 KC 40/60 – R.H.D. – 016454 KC 40/60 – L.H.D. – 016988 CKD KC 30 – R.H.D. – 701331 CKD KC 30 – L.H.D. – 701562 CKD KC 40/60 – R.H.D. – 701331 CKD KC 40/60 – L.H.D. – 701331</p>		

SECTION RF

BODY FITTINGS — EXTERIOR



BODY FITTINGS - EXTERIOR

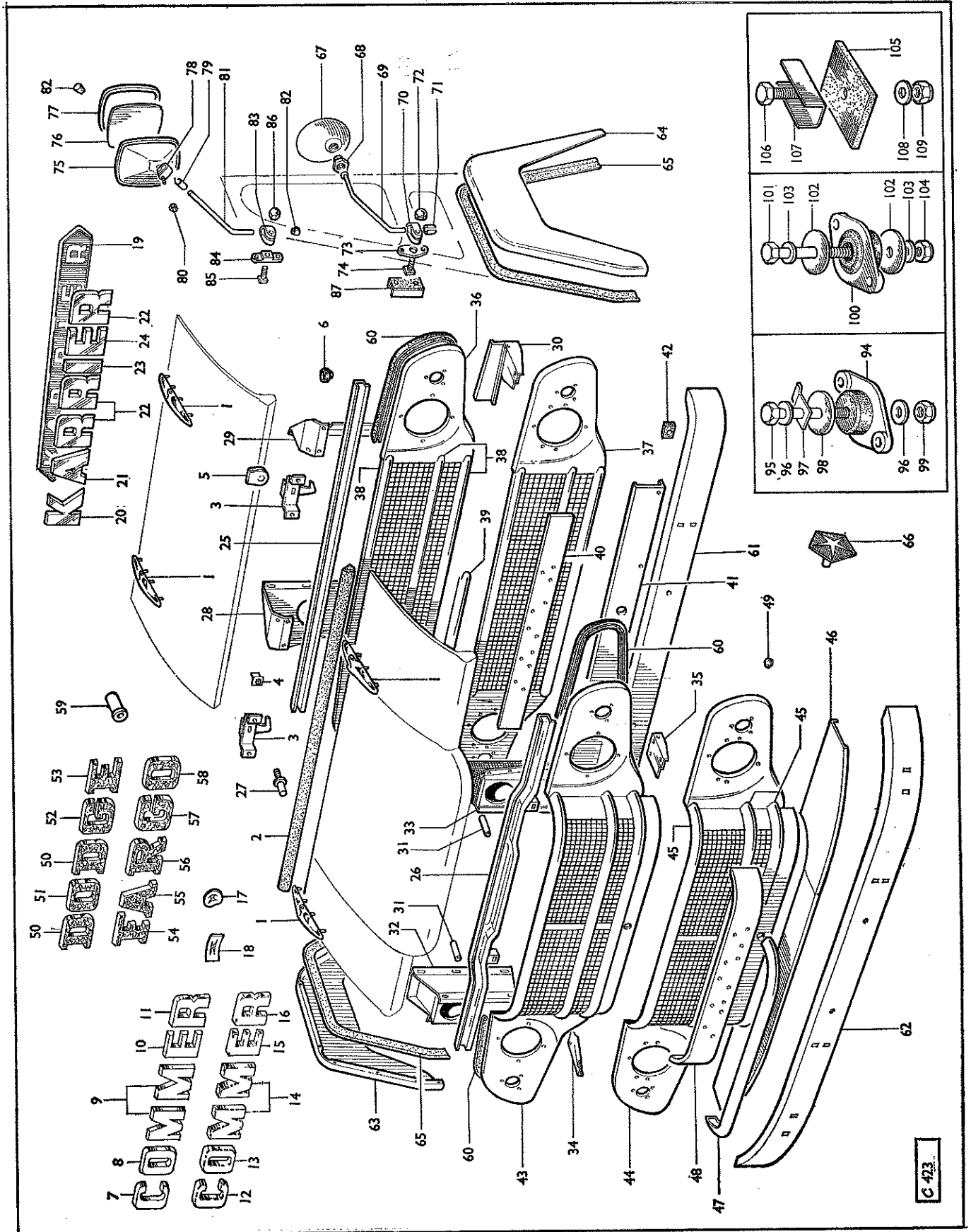


PLATE A - SECTION RF

C 423

BODY FITTINGS - EXTERIOR

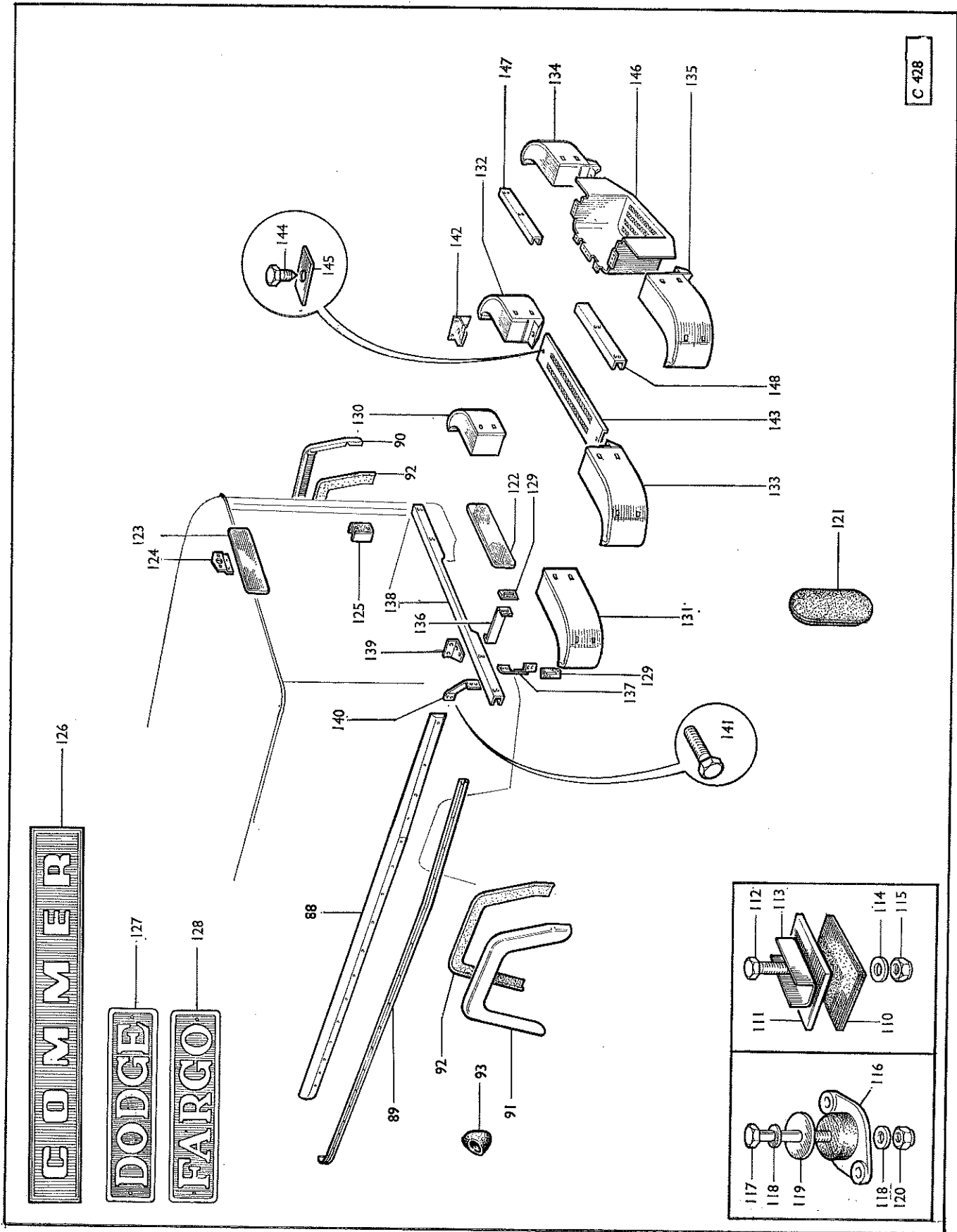


PLATE B - SECTION RF

BODY FITTINGS – EXTERIOR

Plate Ref.	Part Number	DESCRIPTION	No. per Veh.	REMARKS
BONNET FITTINGS				
				See Sheet Metal Section
A1	3049804	PANEL ASSEMBLY – Bonnet		
	9067100	HINGE ASSEMBLY – Bonnet to cowl top	2	
	9068010	Washer – Plain – Hinge to bonnet and cowl top	2	
	9068010	Washer – Plain	6	
	9660163	Washer – Spring	8	
	9510041	Nut	8	
A1	3020170	SEAL – Bonnet – Rear	1	
A3	H.170861	LOCK – Bonnet	2	
A4	3019734	Plate assembly – R.H. – Lock to bonnet.. .. .	1	
	3019735	Plate assembly – L.H.	1	
	39313061	Screw – Lock to bonnet	4	
	9660123	Washer – Spring	4	
A5	3018196	Plate – ‘T’ key escutcheon	2	
	9711065	Screw – Drive – Plate to bonnet	6	
		‘T’ key – Bonnet lock		See Seat Section
A6	3018466	Buffer – Bonnet rest	2	{ 4 cylinder Petrol and 23CV } Diesel models OE138 } OE160 }
	3018466	Buffer	4	{ 6 cylinder Petrol and 4-203 } Diesel 4-236 } models
A7	3018001	‘C’ – Square faced name letters	1	} See Note 1 – Page RF8
A8	3018002	‘O’	1	
A9	3018003	‘M’	2	
A10	3018004	‘E’	1	
A11	3018005	‘R’	1	
A12	3020905	‘C’ – Bevel faced name letters	1	} See Note 2 – Page RF8
A13	3020906	‘O’	1	
A14	3020907	‘M’	2	
A15	3020908	‘E’	1	
A16	3020909	‘R’	1	
A17	9132915	Push-on fix – Name letters to bonnet	8	} 3023 Ambulance – Prior to chassis number KA 011896 CKD KA 700928
A18	9206504	Push-on fix	6	
A19	3052757	Name badge – “KARRIER”	1	
	9132915	Push-on fix – Badge to bonnet	3	
	9206504	Push-on fix	2	
A20	2228502	‘K’ – Bevel faced name letters	1	} 3023 Ambulance – From chassis number KA 011896 CKD KA 700928
A21	2228503	‘A’	1	
A22	3020909	‘R’	3	
A23	2228505	‘I’	1	
A24	3020908	‘E’	1	
	9132945	Blind fix – Name letters to bonnet	7	
	9132947	Blind fix	7	

BODY FITTINGS – EXTERIOR

Plate	Part Number	DESCRIPTION	No. per Veh.	REMARKS
RADIATOR FITTINGS				
A25	3074244	RAIL – Detachable – Upper radiator support	1	4 cylinder Petrol and 23 CV } Diesel models OE138 } OE 160 }
A26	3074202	RAIL ASSEMBLY	1	
A27	3017919	Pin – Bonnet lock catch	2	6 cylinder Petrol and 4-203 } Diesel 4-236 } models
	9067104	Washer – Plain – Pin to rail .. No longer supplied	4	
	9660203	Washer – Spring	2	
	9510051 s/d 5221350	Nut	2	
	19506062	Setscrew – Rail to front end assembly	4	
	9067106	Washer – Plain	4	
	9660243	Washer – Spring	4	
	19504042 s/d 5221352	Setscrew – Rail to baffle assembly	8	
	9068010	Washer – Plain	8	
	9660163	Washer – Spring	8	
A28	9510041	Nut	8	
A28	3074247	Baffle assembly – R.H. – Radiator	1	4 cylinder Petrol and 23 CV } Diesel models OE 138 } OE 160 }
A29	3074248	Baffle assembly – L.H.	1	
	19504042 s/d 5221352	Setscrew – Baffle assembly to bracket assembly	8	
	9068010	Washer – Plain	8	
	9660163	Washer – Spring	8	
	9510041	Nut	8	
A30	3049769	BRACKET ASSEMBLY – R.H. – Radiator mounting – Lower	1	
	3049770	Bracket assembly – L.H.	1	
	19505052 s/d 5220684	Setscrew – Bracket to front end assembly	6	
	9067022	Washer – Plain	6	
	9660203	Washer – Spring	6	
	9510051 s/d 5221350	Nut	6	
A31	19104301	Bolt – Rail assembly to baffle assembly	2	6 cylinder Petrol and 4-203 } Diesel 4-236 } models
	3018047	Spacer – Baffle assembly .. No longer supplied	2	
	9068010	Washer – Plain	2	
	9660163	Washer – Spring	2	
	9510041	Nut	2	
A32	3074091	Baffle assembly – R.H. – Radiator	1	
A33	3074092	Baffle assembly – L.H.	1	
	19504052	Setscrew – Baffle assembly to bracket and front end assembly	12	
	9068010	Washer – Plain	12	
	9660163	Washer – Spring	12	
	9510041	Nut	12	
A34	3050769	BRACKET – R.H. – Radiator mounting – Lower	1	
A35	3050770	Bracket – L.H.	1	
	19504052	Setscrew – Bracket to front end assembly	4	
	9068010	Washer – Plain	4	
	9660163	Washer – Spring	4	
	9510041	Nut	4	

BODY FITTINGS – EXTERIOR

Plate Ref.	Part Number	DESCRIPTION	No. per Veh.	REMARKS
GRILLE AND FITTINGS (4 cylinder Petrol, 23 CV, OE 138 and OE 160 Diesel models)				
A36	3074411 s/d 3077420	GRILLE ASSEMBLY	1	} See Note 4 – Page RF8
	3050423	Bar – Grille assembly	4	
	3077420	GRILLE ASSEMBLY	1	
	3050423	Bar – Nos. 1, 3, and 4 – Grille assembly	3	
A37	73112675	GRILLE ASSEMBLY	1	} See Note 5 – Page RF8
A38	3050423	Bar – Nos. 1, 3, and 4 – Grille assembly	3	
A39	3059167	Bar – No. 2	1	} Commer models
	9020048	Spirefix – Bar to grille assembly	5	
	9744103	Screw – Tapping	5	
	9068009	Washer – Plain	5	
A40	3058881	Plate assembly – Name letters	1	} Dodge and Fargo models
	9020009	Spirefix – Plate assembly to grille assembly	3	
	9050184	Screw – Tapping	3	
	9067019	Washer – Plain	3	
A41	3049788	PANEL ASSEMBLY – Valance	1	}
	19503062	Setscrew – Panel assembly to front end assembly	6	
A42	3018086	Spacer (Rubber)	6	}
	9067096	Washer – Plain	12	
	9510061 s/d 5221351	Nut	6	
GRILLE AND FITTINGS (6 cylinder Petrol, 4·203 and 4·236 Diesel models)				
A43	3074415 s/d 3077421	GRILLE ASSEMBLY	1	} See Note 4 – Page RF8
	3050433	Bar – Grille assembly	4	
	3074414	Panel assembly – Valance	1	
	3077421	GRILLE ASSEMBLY	1	
	3050433	Bar – Nos. 1, 3 and 4 – Grille assembly	3	
	3074414	Panel assembly – Valance	1	
A44	73112674	GRILLE ASSEMBLY	1	} See Note 5 – Page RF8
A45	3050433	Bar Nos. 1, 3 and 4 – Grille assembly	3	
A46	3074414	Panel assembly – Valance	1	
A47	3059168	Bar – No. 2	1	} Commer models
	9020048	Spirefix – Bar to grille assembly	5	
	9744103	Screw – Tapping	5	
	9068009	Washer – Plain	5	
A48	3058884	Plate assembly – Name letters	1	} Dodge and Fargo models
A49	3024606	Grommet – Grille assembly No longer supplied	2	
	9020009	Spirefix – Plate assembly to grille assembly	3	
	9050184	Screw – Tapping	3	
	9068011	Washer – Plain	3	

BODY FITTINGS – EXTERIOR

Plate Ref.	Part Number	DESCRIPTION	No. per Veh.	REMARKS
	19504042 s/d 5221352	GRILLE AND FITTINGS – continued		
	9067098	Setscrew – Panel assembly – Valance to front end assembly	6	
	9660163	Washer – Plain	6	
	9510041	Washer – Spring	6	
A50	3024209 s/d 3300655	Nut	6	
A51	3024210 s/d 3300656	'D' – Name letters	2	} Dodge models
A52	3024211 s/d 3300657	'O'	1	
A53	3024212 s/d 3300658	'G'	1	
		'E'	1	
A54	3024213 s/d 3300659	'F' – Name letters	1	} Fargo models
A55	3024214 s/d 3300660	'A'	1	
A56	3024215 s/d 3300661	'R'	1	
A57	3024211 s/d 3300657	'G'	1	
A58	3024210 s/d 3300656	'O'	1	} Dodge and Fargo models
A59	9132945	Bush – Name letters to plate assembly	12	
A60	3018126	Seal (Rubber) – Grille	2	
	19804062	Setscrew – Grille assembly to front end assembly	6	
	9067100	Washer – Plain	6	
	9661163	Washer – Spring	6	
			6	
		BUMPER – Front		
A61	3074107	BUMPER	1	} 4 cylinder Petrol and 23CV } OE 138 } Diesel models } OE 160 }
	19506071	Setscrew – Bumper fixing	4	
	9067034	Washer – Plain	4	
	9067043	Washer – Plain	4	
	9660243	Washer – Spring	4	
	9510060 s/d 5221351	Nut	4	
A62	3074108	BUMPER	1	} 6 cylinder Petrol and 4-203 } Diesel } 4-236 } models
	19506071	Setscrew – Bumper fixing	8	
	9067034	Washer – Plain	8	
	9067043	Washer – Plain	8	
	9660243	Washer – Spring	8	
	9510060 s/d 5221351	Nut	8	
		WING – Front		
A63	3074109	PANEL – R.H. – Front wing	1	} Dodge and Fargo } Early models } Dodge and Fargo Late models } Commer models from chassis numbers KC 015362 to KC 320391 only
A64	3074110	Panel – L.H.	1	
A65	3052533	Piping – Panel	2	
	9000216	Bolt – Panel fixing	18	
	9068011	Washer – Plain	18	
	9020024	Spirenut	18	
	3058766 s/d 2239866	MEDALLION – 'PENTASTAR'	1	
	9132945	Bush – Medallion to L.H. front fender panel	1	
	3314018 s/d 2239866	Medallion – Integral fixing	1	
# A66	2239866	Medallion	1	

BODY FITTINGS – EXTERIOR

Plate Ref.	Part Number	DESCRIPTION	No. per Veh.	REMARKS	
QUARTER PANEL					
A67	5039428	HEAD ASSEMBLY (Black) – 5' 6" (142 mm) dia. – Exterior mirror	2	Not required from chassis numbers KC 015178 CKD KC 701235 or when flashers are fitted	
A68	5037596	Nut – Head assembly to arm	2		
A69	5038034	Arm – R.H. (Black)	1		
	5038035	Arm – L.H.	1		
A70	5037593	Clamp – Arm to bracket	2		
A71	5037597	Sleeve	2		
A72	9022035	Nut – Domed	2		
A73	72203384	Bracket (Black)	2		
A74	2203234	Bolt	2		
A75	73026718	MIRROR ASSEMBLY (Flat glass) – 7" (177 mm) × 5" (125 mm) (Silver)	2		
	73026876	Mirror assembly (Convex glass)	2		
A76	75062450	Glass (Flat)	2		
	75062605	Glass (Convex)	2		
A77	75062451	Surround (Rubber)	2		
A78	75062452	Clamp	2		
A79	75062453	Sleeve	2		
A80	75062454	Nut	2		
	73026715	Bracket assembly (Silver)	2		
A81	75062455	Arm	2		
A82	75062456	Plug – Arm	4		
A83	75062457	Clamp	2		
A84	75062458	Base	2		
A85	2203234	Stud	2		
A86	9022035	Nut – Domed	2		
	19804063	Setscrew – Bracket assembly to quarter panel assembly	4		
	9661163	Washer – Spring	4		
A87	3018652	COVER PLATE ASSEMBLY .. No longer supplied	2		
	9774106	Screw – Tapping – Cover plate to quarter panel	4		
	9020048	Spirefix	4		
VAN – Side					
B88		RAIL – Panel protection .. Not supplied			4023 models
	9641040	Bolt – Coach – Rail to body side .. No longer supplied	2		
	9641100	Bolt .. No longer supplied	8		
	9068010	Washer – Plain	10		
	9608342	Nut .. No longer supplied	10		
B89	3050073	Finisher – Protection rail	2		
B90	3074182	PANEL – R.H. – Rear wing	1		
B91	3074183	Panel – L.H.	1		
B92	3052535	Piping (Black)	2		
	9000216	Bolt – Panel and piping to body side panel	16		
	9068011	Washer – Plain	16		
	9020024	Nut	16		
B93	W.46187	GROMMET – Fuel filler	1		

BODY FITTINGS – EXTERIOR

Plate Ref.	Part Number	DESCRIPTION	No. per Veh.	REMARKS
BODY MOUNTINGS – Front End Welded Assembly				
A94	H.107642	PAD – Mounting – Front	2	
	19505072 s/d 5220692	Setscrew – Pad to chassis	4	
	9660203	Washer – Spring	4	
	9510051 s/d 5221350	Nut	4	
A95	19107361	Bolt – Body to pad	2	
A96	9067049	Washer – Plain	2	
A97	3018139	Plate – Washer	2	
A98	9067271	Washer – Plain	4	
A99	9572074	Nut – Nyloc	2	
A100	H.107642	PAD – Mounting – Intermediate	2	
	19505072 s/d 5220692	Setscrew – Pad to chassis	4	
	9660203	Washer – Spring	4	
	9510051 s/d 5221350	Nut	4	
A101	19107242	Bolt – Body to pad	2	
A102	9067271	Washer – Plain – Rebound	4	
A103	9067054	Washer – Plain	2	
A104	9572074	Nut – Nyloc	2	
A105	W.14848	PAD (Rubber) – Mounting – Rear	2	
A106	19106112	Bolt – Body to chassis	2	
A107	5200252	Channel – Mounting	2	No longer supplied
A108	9067041	Washer – Plain	2	
A109	9551063 s/d 5220731	Nut – Nyloc	2	
BODY MOUNTINGS – Van				
B110	W.14848	PAD (Rubber) – Mounting – Floor bearer	10	
B111		Pad (Hardura)		Not supplied
B112	19106112	Bolt – Nos. 2, 3 and 4 floor bearers	6	
	19106142	Bolt – Nos. 1 and 5	4	
B113	5200252	Channel – Mounting	10	
B114	9067041	Washer – Plain	10	
B115	9551063 s/d 5220731	Nut – Nyloc	10	
BODY MOUNTINGS – Cab				
B116	H.107642	PAD – Mounting – Rear	2	
	19505082	Setscrew – Pad to chassis	4	
	9660203	Washer – Spring	4	
	9510051 s/d 5221350	Nut	4	
B117	19107342	Bolt – Body to pad	2	
B118	9067270	Washer – Plain	2	
B119	9067271	Washer – Plain	2	
B120	9572074	Nut – Nyloc	2	
B121	3020120	Grommet – Rear bearer closing	2	

BODY FITTINGS – EXTERIOR

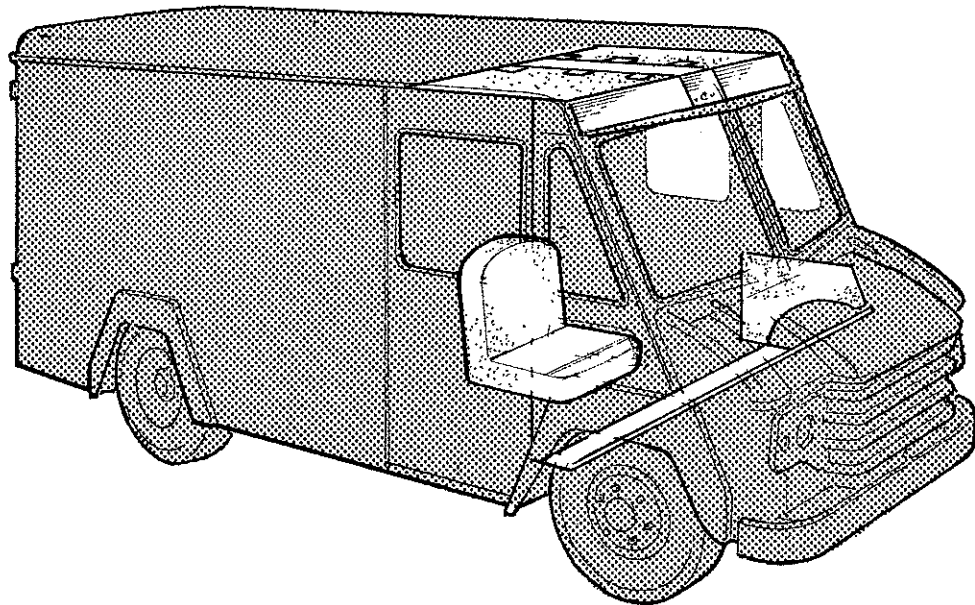
Plate Ref.	Part Number	DESCRIPTION	No. per Veh.	REMARKS	
VAN – Rear End					
B122	3050564	PANEL ASSEMBLY – Rear number plate	1	} Standard – Models without rear recess step	
	3018518	Clip – Retaining	2		
	19803062	Setscrew – Panel assembly to body	4		
	9663123	Washer – Shakeproof	4		
B123	3020916	PANEL ASSEMBLY – Rear roof number plate .. No longer supplied	1	} Special order only – When rear recess step fitted	
	39314081	Screw – Panel assembly to lamp bracket	2		
	9660163	Washer – Spring	2		
	9510041	Nut	2		
B124	3020917	Bracket – Lamp to panel assembly	1		
	19504102	Bolt – Number plate panel to roof panel	2		
	9122188	Washer – Rubber	2		
	9660163	Washer – Spring	2		
	9510041	Nut	2		
		LAMP – Number plate			} See Electrical Section
		LAMP – Stop tail			
		LAMP – Flasher			
		LAMP – Roof – Interior			
		REFLECTOR			
B125	3018655	COVER PLATE ASSEMBLY – Flasher No longer supplied	2	} Not required from chassis numbers KC 015178 CKD KC 701235 or when flashers are fitted	
	9774106	Screw – Tapping – Cover plate to quarter panel	4		
	9020048	Spirefix	4		
B126	W.47223	NAME PLATE – ‘COMMER’	1	} Dodge and Fargo models Not fitted on production from chassis number KC 322359	
	9143255	Rivet – Name plate to door	3		
B127	3058765 s/d 3228664	NAME PLATE – ‘DODGE’	1		
	3228664	Name plate	1		
B128	3058764 s/d 3058803	NAME PLATE – ‘FARGO’	1		
	3058803	Name plate No longer supplied	1		
	9143078	Rivet – Name plate to door No longer supplied	2		
# B129	3050072	GROMMET – Bumper support aperture	4		
BUMPER – Rear – Special Order Only					
B130	3074490	BUMPER ASSEMBLY – R.H.	1		} When rear step not fitted
B131	3074491	Bumper assembly – L.H.	1		
B132	3074492	BUMPER ASSEMBLY – R.H.	1		} When rear step fitted
B133	3074493	Bumper assembly – L.H.	1		
B134	3075542	BUMPER ASSEMBLY – R.H.	1	} When rear recess step fitted	
B135	3075543	Bumper assembly – L.H.	1		
	19506082	Screw – Bumper to stay assembly and rear crossmember	8		
	19506071	Screw	8		
	9067043	Washer – Plain	16		
	9660243	Washer – Spring	16		
	9510060 s/d 5221351	Nut	16		

BODY FITTINGS – EXTERIOR

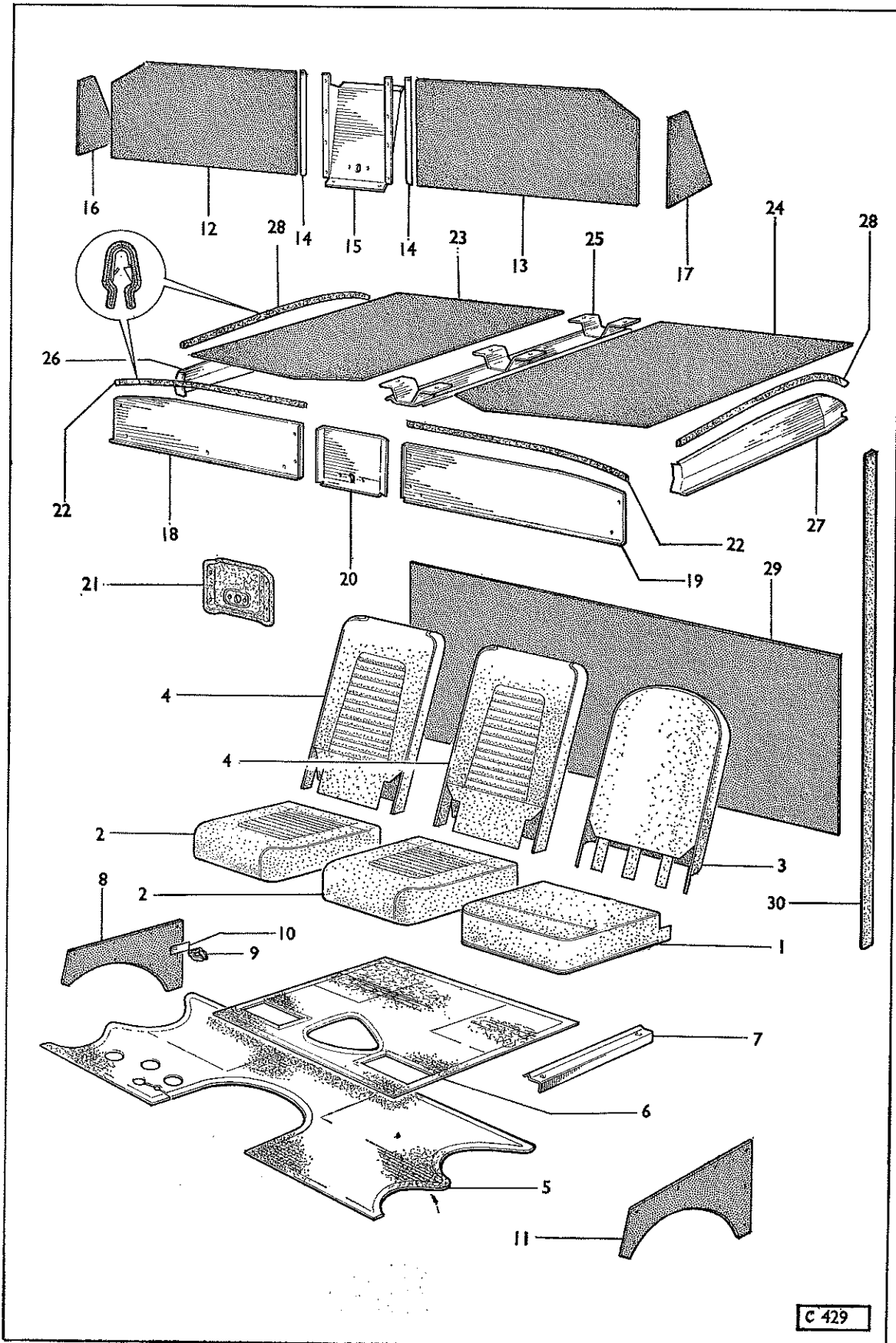
Plate Ref.	Part Number	DESCRIPTION	No. per Veh.	REMARKS
		BUMPER – Rear – continued		
B136	3018484	STAY ASSEMBLY – R.H. – Inner – Support	1	
	3018483	Stay assembly – L.H.	1	
	3018486	Stay assembly – R.H. – Outer	1	
B137	3018485	Stay assembly – L.H.	1	
B138	3050536	Crossmember – Rear	1	
	3050538	Bracket – R.H. – Crossmember support	1	
B139	3050537	Bracket – L.H.	1	
	19506071	Setscrew – Bracket to underframe and crossmember ..	6	
	19506062	Setscrew	4	
	9660243	Washer – Spring	10	
	9510060 s/d 5221351	Nut	10	
B140	3050620	STRUT	2	
B141	W.15541	Bolt – Strut to crossmember and underframe	8	
	9067035	Washer – Plain	8	
	9660243	Washer – Spring	8	
	9510060 s/d 5221351	Nut	8	
B142	3051954	STEP ASSEMBLY – Bumper support	2	} Models with rear step – See Note 3 – Page RF8
	69408070	Rivet – Step assembly to bumper	8	
B143	3050572	STEP CHANNEL ASSEMBLY	1	} Models with rear step
B144	3018526	Screw – Special – Step assembly to bumper	2	
	9068020	Washer – Plain	2	
	9661282	Washer – Spring	2	
B145	3018527	Packing	2	
B146	3075523	STEPWELL ASSEMBLY	1	} Models with rear recess step only
B147	3053468	Crossmember – R.H.	1	
B148	3053469	Crossmember – L.H.	1	
NOTES				
NOTE 1. Used prior to chassis numbers detailed in Note 2.				
NOTE 2. Used from chassis numbers :				
KA 3023 003558				
KA 4023 001663				
KA 4035 000300				
KA 6035 000339				
Early and late condition individual letters are NOT INTERCHANGEABLE – Check type before ordering.				
NOTE 3. Required only when step channel 3050572 is not fitted as original equipment.				
NOTE 4. Used prior to chassis numbers detailed in Note 5.				
NOTE 5. Introduction of revised headlamp condition and associated parts made necessary by mandatory headlamp regulations, from chassis numbers :				
KC 320236				
CKD KC 820336				

SECTION RG

BODY — TRIM



BODY - TRIM



C 429

SECTION RG

BODY - TRIM

Plate Ref.	Part Number	DESCRIPTION	No. per Veh.	REMARKS
		TRIM - MATERIALS		
		SEATS - Main panel		
		Vynide - Everflex - Grain 40 - 50" (1270 mm) wide - Red Not supplied		
	5114658 s/d 75120594	Vynide - Ambla - Grain 'Pigskin' - 50" (1270 mm) wide Black	A/R	
	75120594	Vynide - Ambla - Grain 438 - 50" (1270 mm) wide Black	A/R	
		SEATS - Boarder panel and piping		
		Vynide - Everflex - Grain 40 - 50" (1270 mm) wide Off White Not supplied		
	5114499 s/d 75120611	Vynide - VT1146 - Grain 'Pigskin' - 50" (1270 mm) wide Black	A/R	
	75120611	Vynide - VT 1244 - Grain 438 - 50" (1270 mm) wide Black	A/R	
		SEAT COVERS		
1	3052476	COVER ASSEMBLY (Red) - Cushion	1	Rounded Squab
2	3058772	Cover assembly (Black)	1	Square Squab
3	3052478	Cover assembly (Red) - Squab	1	Rounded Squab
4	3058776	Cover assembly (Black)	1	Square Squab
		FLOOR MATS		Special order only
5	3052986	MAT ASSEMBLY - R.H.D. (Black) - Floor front	1	
	3052987	Mat assembly - L.H.D.	1	
6	3053001	Mat assembly - Centre	1	
	9128523	Stud fastener - Floor mats	13	
	9752086	Screw - Tapping - Stud fastener	13	
7	3020355	Plate - Tread	2	
	9763085	Screw - Tapping - Plate to centre mat, floor panel and step well assembly	6	
		SUN VISOR		Special order only
	3060006	SUN VISOR ASSEMBLY	2	
	3025047	Bracket assembly - Clamp	4	
	39213082	Screw - Bracket assembly to plate	8	
	9027026	Plate - Tapped	4	

BODY - TRIM

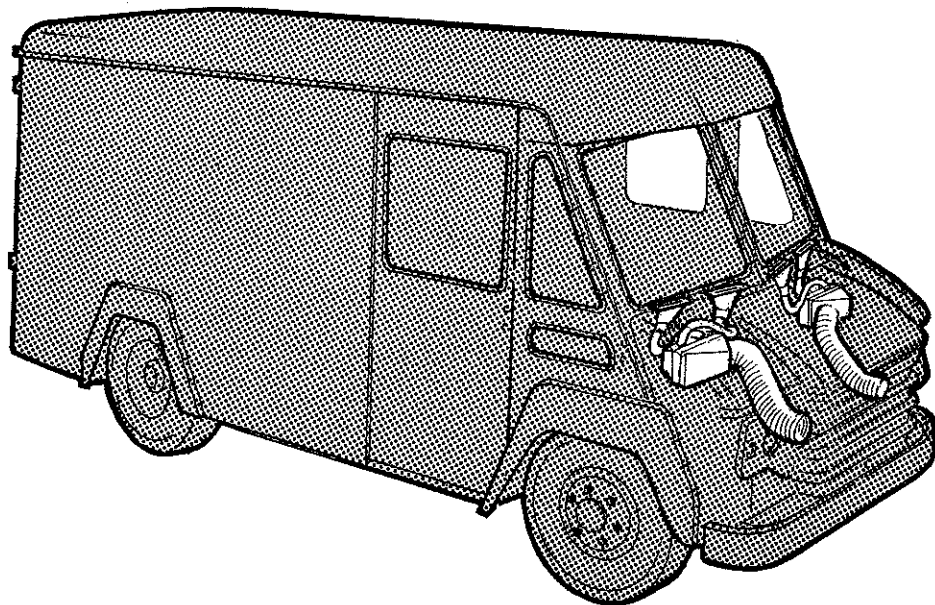
Plate Ref.	Part Number	DESCRIPTION	No. per Veh.	REMARKS
TRIM PANELS - Front end				
8	3050718	PANEL - R.H. - Kicking - Side quarter	1	} Early condition - See Note 1 - Page RG3
9	9178073	Clip - 'T' Key retaining No longer supplied	1	
10	3018630	Plate - Clip mounting No longer supplied	1	
TRIM PANELS - Van Models				
11	5240464	Strap - 'T' key retaining Not supplied		} Late condition - See Note 1 - Page RG3
	3050719	Rivet - Strap to R.H. panel	2	
	9762086	PANEL - L.H.	1	
	9670624	Screw - Tapping - Kicking panel to inner panel	18	
	9670624	Washer - Cup	18	
TRIM PANELS - Cab models				
12	3049990	BOARD - R.H. - Front header	1	} See Note 6 - Page RG3 See Note 7 - Page RG3
13	3049991	Board - L.H.	1	
14	3018028	Retainer - Board	2	
15	3049989	Finisher - Centre board	1	
	73113245	Finisher	1	
	9762086	Screw - Tapping - Board and finisher fixing	26	
	9670624	Washer - Cup	26	
16	3050373	BOARD - R.H. - Side header	1	
17	3050374	Board - L.H.	1	
	9762086	Screw - Tapping - Board fixing	8	
	9670624	Washer - Cup	8	
TRIM PANELS - Cab models				
18	3052617	PANEL - R.H. - Header trim	1	} See Note 2 See Notes 3 and 6 } Page See Note 7 } RG3
19	3052618	Panel - L.H.	1	
20	3052616	Panel - Centre No longer supplied	1	
21	73077028	Panel - Centre	1	
#	73113243	Panel - Centre	1	
	9762086	Screw - Tapping - Panels to front end	8	
	9143255	Rivet	4	
	9233471	Finisher (Red) - 33" (838 mm) long - Header panel	A/R	
22	75121879	Finisher (Off White)	A/R	
23	3052614	BOARD - R.H. - Roof trim	1	
24	3052615	Board - L.H.	1	
	9773086	Screw - Tapping - L.H. board fixing	5	
25	3052635	Rail assembly - Roof board attachment	1	
	9143255	Rivet	6	
26	3051268	PANEL - R.H. - Door valance trim	1	
27	3051269	Panel - L.H.	1	
	9772066	Screw - Tapping - Panel fixing	8	
	9233471	Finisher (Red) - 40" (1016 mm) long - Door valance panel	A/R	
28	75121879	Finisher (Off White)	A/R	
29	3051264	BOARD - Back panel	1	
	9762086	Screw - Tapping - Board to back frame	12	
	9670624	Washer - Cup	12	
30	3019172 s/d 3026690	Finisher (Black) - 55" (1397 mm) long - 'B' post assembly	2	
	3026690 s/d 5115333	Finisher (Black)	2	
	5115333	Finisher (Black)	A/R	

BODY – TRIM

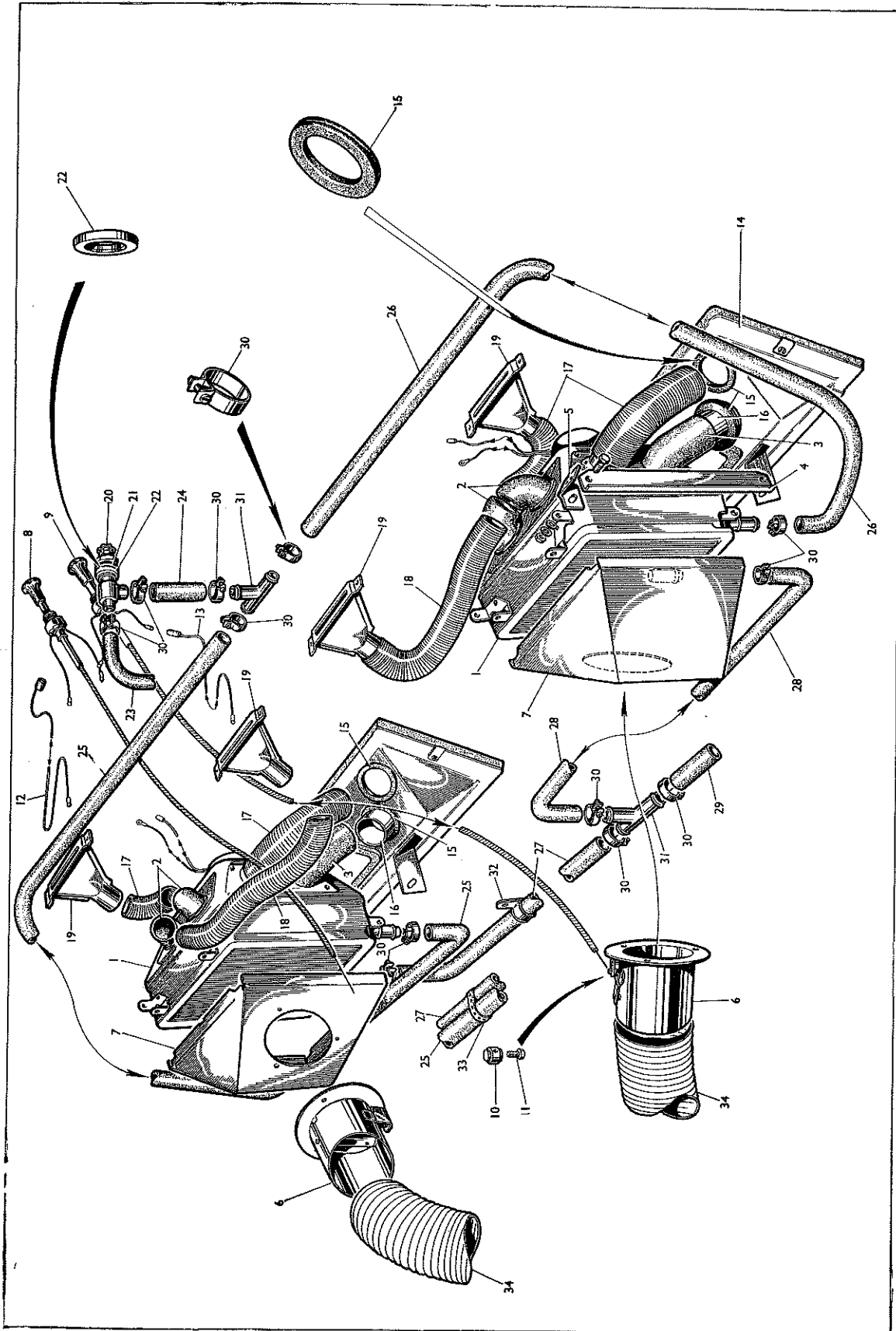
Plate Ref.	Part Number	DESCRIPTION	No. per Veh.	REMARKS
		<p style="text-align: center;">NOTES</p> <p>NOTE 1. Used prior to the following chassis numbers: KA 3023 – 000721 KA 4023 – 000357 KA 4035 – 000025 KA 6035 – 000077 For fixings for 'T' key from above chassis numbers see Seat Support to be found in Section RD.</p> <p>NOTE 2. Used prior to chassis numbers detailed in Note 3.</p> <p>NOTE 3. Used on and after chassis numbers: KA 007366 CKD KA 700197</p> <p>NOTE 4. Used prior to chassis numbers detailed in Note 5.</p> <p>NOTE 5. Used on and after chassis numbers: KC 300635 CKD KC 802470 – 73 onwards</p> <p>NOTE 6. Used prior to chassis numbers detailed in Note 7.</p> <p>NOTE 7. Used on and after chassis numbers: KC – 320609 – Van models KC – 321559 – Cab models</p>		

SECTION S

HEATER KIT



HEATER KIT



SECTION S

HEATER KIT – DOUBLE

Plate Ref.	Part Number	DESCRIPTION	No. per Veh.	REMARKS	
		FITTED TO SPECIAL ORDER ONLY			
	5200405	HEATER AND DEMISTER – KIT – DOUBLE	1		
1-3	3050228	HEATER UNIT	2		
2	5039669	Elbow – Rubber – Top	4		
3	5039668	Elbow – Rubber – Side	4		
4	3017923	Strap – Mounting	4	} No longer supplied	
5	3017924	Bracket – Mounting Strap – Upper	4		
	19504052	Setscrew – Heater and strap fixing	8		
	9067097	Washer – Plain	8		
	9660163	Washer – Spring	8		
	9510041	Nut	8		
	19503052	Setscrew – Bracket fixing	8		
	9067013	Washer – Plain	8		
	9660123	Washer – Spring	8		
	9564031 s/d 5058077	Nut	8		
6	1800006	VALVE ASSEMBLY – BUTTERFLY	2		
	9733066 s/d 9773066	Screw – Tapping – Butterfly valve to heater box	6		
7	3050180	Box assembly – Heater – Butterfly valve	2		
8	3018220	CONTROL – PUSH-PULL AND SWITCH	1		
9	3018221	Control – Push-pull and switch	1		
10	P.117479	Trunnion – Control to butterfly valve	2		
11	9003006	Screw – Control to butterfly valve	2		
12	3018222	Cable assembly – Control switch to wiper connection	1	} No longer supplied	
13	3018223	Cable assembly – Control switch to heater	1		
14	3074126	BOX ASSEMBLY – COLLECTOR	2		
15	3018230	Grommet – Collector box	8		
16	3018232	Adaptor – Tube – Collector box	4		
	9734103	Screw – Tapping – Collector box to dash	16		
	9119013	Grommet – Blind – Fresh air blanking	8		
17	3018224	HOSE – DEMISTER – 7" (17.78 cm)	4		
18	3018228	Hose – Demister	2		
19	1202925	Nozzle – Demister hose	4		
	9733063	Screw – Tapping – Nozzle to parcel tray	8		
	9020041	Nut – Spire	8		
20	1046539	TAP – WATER	1		
21	9067081	Washer – Plain – Water tap	1		
22	3018737	Piece – Distance – Water tap	1		
23	3018668	HOSE – WATER – FEED TO TAP – 22" (55.8 cm)	1	KAD - KA/C - H/V/B KA/C - L	
	3018671	Hose – Water – Feed to tap – 32" (81.2 cm)	1		
24	1046514	Hose – Water – Tap to "T" Piece – 2" (5.0 cm)	1	} See Note 1 Page S5	
25	3018675	Hose – Water – "T" Piece to R.H. heater – 53" (134.6 cm)	1		
26	3018674	Hose – Water – "T" Piece to L.H. heater	1		
27	3018672	Hose – Water – R.H. heater to return – 40" (101.6 cm)	1		
	3018675	Hose – Water – R.H. heater to return – 53" (134.6 cm)	1		
	3018670 s/d 9166506	Hose – Water – R.H. heater to return	1		
	9166506	Hose – Water – R.H. heater to return	1		
	3022244	Hose – Water – R.H. heater to "T" piece	2		

HEATER KIT - DOUBLE

Plate Ref.	Part Number	DESCRIPTION	No. per Veh.	REMARKS
HEATER AND DEMISTER KIT - DOUBLE - continued				
28	3018669	Hose - Water - L.H. heater to return - 26" (66.0 cm) ..	1	KA/C - H/L } KAD } See Note 1 KA/C - B } -Page S5
	3018668	Hose - Water - L.H. heater to return - 22" (55.8 cm) ..	1	
	3018675	Hose - Water - L.H. heater to return - 53" (134.6 cm) ..	1	
29	1046514	Hose - Water - "T" piece to return union - 2" (5.0 cm) ..	1	
30	P.43225 s/d 9788121	Clip - Hose	14	
31	1046513	Connector - "T" piece	2	
32	9179051	Clip - Hose to air cleaner bracket	1	
	9179049	Clip - Hose to screen rail	2	KA/C - B
33	P.43469 s/d 9233827	Plastic strip - Hose to hose - R.H.	A/R	} KA/C - B
	P.43470 s/d 9228009	Stud	1	
	P.43469 s/d 9233827	Plastic strip - Hose to return - R.H.	A/R	
	P.43470 s/d 9228009	Stud	1	
	1800178	Washer - Engine union - Feed	1	KA/C - H
	1800178	Washer - Engine union - Return	1	KAD - KA/C - H
34		VENTILATOR		} See Section "RA"
		HOSE - AIR INTAKE		
The following items are not included in Heater and Demister Kit - Double - and must be ordered separately.				
	9169001	UNION - FEED AND RETURN - ENGINE	2	KA/C - H
	9169002	Union - Feed - Engine	1	} KAD
	9169001	Union - Return - Engine	1	
	9169004	Union - Feed - Engine	1	} KA/C - L
	9169005	Union - Return - Engine	1	
	9217350	Adaptor - Union	1	} KA/C - B/F
	1800105	Union - Feed and return - Engine	2	

HEATER KIT – SINGLE

Plate Ref.	Part Number	DESCRIPTION	No. per Veh.	REMARKS
		NOTE. Fitted to "Special Order" prior to the introduction of heater as "Standard" on home models from Chassis No. KCB 4023-312758.		
	5200596	HEATER AND DEMISTER – KIT – SINGLE .. See Note	1	
1-3	3050228	HEATER UNIT	1	
2	5039669	Elbow – Top – Rubber	2	
3	5039668	Elbow – Side – Rubber	2	
4	3017923	Strap – Mounting	2	No longer supplied
5	3017924	Bracket – Mounting Strap – Upper	2	No longer supplied
##	19504052 s/d 79040105	Setscrew – Heater and strap fixing	4	
##	9067097	Washer – Plain	4	
##	9660163 s/d 79660163	Washer – Spring	4	
##	9510041	Nut	4	
##	19503051	Setscrew – Bracket fixing	4	
##	9067013	Washer – Plain	4	
##	9660123 s/d 79660123	Washer – Spring	4	
##	9564030 s/d 5058077	Nut	4	
6	1800006	VALVE ASSEMBLY – BUTTERFLY	1	
	9733066 s/d 9773066	Screw – Tapping – Butterfly valve to heater box	3	
7	3050180	Box assembly – Heater – Butterfly valve	1	
8	3018220	CONTROL – PUSH-PULL AND SWITCH	1	
10	P.117479	Trunnion – Control to butterfly valve	1	
11	9003006	Screw – Trunnion – Control to butterfly valve	1	
12	3018222	Cable assembly – Control switch to wiper connection	1	No longer supplied
14	3074126	BOX ASSEMBLY – COLLECTOR	1	
15	3018230	Grommet – Collector box	4	
16	3018232	Adaptor – Tube – Collector box	1	
	9734103	Screw – Tapping – Box to dash	8	
	9119013	Grommet – Blind – Fresh air blanking	4	
17	3018224	HOSE – DEMISTER – 7" (17.7 cm)	2	
	3018228	Hose – Demister – 19" (48.26 cm)	1	
	3018226	Hose – Demister – 60" (152.4 cm)	1	
	3018227	Hose – Demister – 41" (104.1 cm)	1	
19	1202925	Nozzle – Demister Hose	4	
##	9733062	Screw – Tapping – Nozzle to parcel tray	8	
	9020041	Nut – Spire	8	
20	1046539	TAP – WATER	1	
21	9067080	Washer – Water tap	1	
22	3018737	Piece – Distance – Water tap	1	
	3018671	HOSE – WATER – 32" (81.2 cm)	1	} See Note 2 Page S5
25	3018675	Hose – Water – 53" (134.6 cm)	2	
32	9179051	Clip – Hose to air cleaner bracket	1	
	9179049	Clip – Hose to screen rail	2	KA/C - B
	9788121	Clip – Hose	6	
33	P.43469 s/d 9233827	Strip – Plastic – Feed hose to return hose	A/R	
	P.43470 s/d 9228009	Stud – Feed hose to return hose	1	
	1800178	Washer – Feed – Engine union	1	KA/C - H
	1800178	Washer – Return – Engine union	1	KAD - KA/C - H
	71802640	Washer – Union – Feed and return	2	
##	3018669	Hose – Water – ½" x 26" (66 cm)	1	} KCH 30/40
##	3018674	Hose – Water – ½" x 48" (121.92 cm)	1	
##	3018669	Hose – Water – ½" x 26" (66 cm)	1	} KCV – KCB
##	3018671	Hose – Water – ½" x 32" (81.2 cm)	1	
##	3018675	Hose – Water – ½" x 53" (134.6 cm)	1	KCB KCF
		VENTILATOR		} See Section "RA"
34		HOSE – AIR INTAKE		

HEATER KIT - SINGLE

Plate Ref.	Part Number	DESCRIPTION	No. per Veh.	REMARKS
		HEATER AND DEMISTER KIT - SINGLE - continued		
		The following items are not included in the Heater and Demister Kit - Single - and must be ordered separately.		
#	1800105	UNION - FEED AND RETURN - ENGINE	2	KA/C - B - F
#	9169001	Union - Feed and Return - Engine	2	
#	9169002	Union - Feed - Engine	1	} KAD - KCV
#	9169001	Union - Return - Engine	1	
	9169004	Union - Feed - Engine	1	} KA/C - L
	9169005	Union - Return - Engine	1	
	9217350	Adaptor - Union	1	

HEATER KIT — SINGLE

Plate Ref.	Part Number	DESCRIPTION	No. per Veh.	REMARKS
		<p>NOTE 1.</p> <p>Water hoses will be supplied as normal replacements to the appropriate lengths required but 5200405 Special Accessory Kit – Double – will include the following hoses only:– 3018669 Hose – 26" (66.0 cm). 3018671 Hose – 32" (81.2 cm). 3018674 Hose – 48" (121.9 cm). 3018675 Hose – 53" (134.6 cm). It will be necessary to cut these Hoses to suit the required Heater installation.</p> <p>NOTE 2.</p> <p>Water hoses will be supplied as normal replacements to the appropriate lengths required but 5200596 Special Accessory Kit – Single – will include the following Hoses only:– 3018671 Water Hose – 32" (81.2 cm). 3018675 Water Hose – 53" (134.6 cm). It may be necessary to cut these Hoses to suit the required Heater installation.</p>		

SECTION ZY

STANDARDS SECTION

Schedule of standard size Bolts, Setscrews, Nuts and Washers

BOLTS AND SETSCREWS – B.A., B.S.F. and B.S.W.

Part No.	Size	Length	Remarks	Part No.	Size	Length	Remarks
19004035	1/4" B.S.F. ×	3/8" (9.52 mm.)	Hex. Head	19006035	3/8" B.S.F. ×	3/8" (9.52 mm.)	Hex. Head
19004045	1/4" B.S.F. ×	1/2" (12.70 mm.)	Hex. Head	19006055	3/8" B.S.F. ×	5/8" (15.87 mm.)	Hex. Head
19004055	1/4" B.S.F. ×	5/8" (15.87 mm.)	Hex. Head	19006065	3/8" B.S.F. ×	3/4" (19.05 mm.)	Hex. Head
19004060	1/4" B.S.F. ×	3/4" (19.05 mm.)	Hex. Head	19006080	3/8" B.S.F. ×	1" (25.40 mm.)	Hex. Head
19004080	1/4" B.S.F. ×	1" (25.40 mm.)	Hex. Head	19006083	3/8" B.S.F. ×	1" (25.40 mm.)	Hex. Head
19004100	1/4" B.S.F. ×	1 1/4" (31.75 mm.)	Hex. Head	19006093	3/8" B.S.F. ×	1 1/8" (28.57 mm.)	Hex. Head
19004120	1/4" B.S.F. ×	1 1/2" (37.11 mm.)	Hex. Head	19006106	3/8" B.S.F. ×	1 1/4" (31.75 mm.)	Hex. Head
19005045	5/16" B.S.F. ×	1/2" (12.70 mm.)	Hex. Head	19006200	3/8" B.S.F. ×	2 1/2" (63.50 mm.)	Hex. Head
19005055	5/16" B.S.F. ×	5/8" (15.87 mm.)	Hex. Head	19006203	3/8" B.S.F. ×	2 1/2" (63.50 mm.)	Hex. Head
19005060	5/16" B.S.F. ×	3/4" (19.05 mm.)	Hex. Head	19006225	3/8" B.S.F. ×	2 3/4" (69.85 mm.)	Hex. Head
19005065	5/16" B.S.F. ×	3/4" (19.05 mm.)	Hex. Head	19006280	3/8" B.S.F. ×	3 1/2" (88.90 mm.)	Hex. Head
19005080	5/16" B.S.F. ×	1" (25.40 mm.)	Hex. Head	19006320	3/8" B.S.F. ×	4" (101.60 mm.)	Hex. Head
19005090	5/16" B.S.F. ×	1 1/8" (28.57 mm.)	Hex. Head	19007055	7/16" B.S.F. ×	3/8" (15.87 mm.)	Hex. Head
19005100	5/16" B.S.F. ×	1 1/4" (31.75 mm.)	Hex. Head	19007213	7/16" B.S.F. ×	2 3/8" (66.67 mm.)	Hex. Head
19005110	5/16" B.S.F. ×	1 3/8" (34.92 mm.)	Hex. Head	19008120	1/2" B.S.F. ×	1 1/2" (38.10 mm.)	Hex. Head
19005120	5/16" B.S.F. ×	1 1/2" (38.10 mm.)	Hex. Head	19008140	1/2" B.S.F. ×	1 3/4" (44.45 mm.)	Hex. Head
19005140	5/16" B.S.F. ×	1 3/4" (44.45 mm.)	Hex. Head	19008260	1/2" B.S.F. ×	3 1/4" (82.55 mm.)	Hex. Head
19005150	5/16" B.S.F. ×	1 7/8" (47.62 mm.)	Hex. Head	19034080	1/4" B.S.W. ×	1" (25.40 mm.)	Hex. Head
19005160	5/16" B.S.F. ×	2" (50.80 mm.)	Hex. Head	19035050	7/16" B.S.W. ×	3/8" (15.87 mm.)	Hex. Head
19005180	5/16" B.S.F. ×	2 1/4" (57.15 mm.)	Hex. Head	19052035	2 B.A. ×	3/8" (9.52 mm.)	Hex. Head
19005200	5/16" B.S.F. ×	2 1/2" (63.50 mm.)	Hex. Head	19052045	2 B.A. ×	1/2" (12.70 mm.)	Hex. Head
19005220	5/16" B.S.F. ×	2 3/4" (69.85 mm.)	Hex. Head	19052055	2 B.A. ×	3/8" (15.87 mm.)	Hex. Head
19005260	5/16" B.S.F. ×	3 1/4" (82.55 mm.)	Hex. Head	19052060	2 B.A. ×	3/4" (19.05 mm.)	Hex. Head

BOLTS – U.N.F. and U.N.C.

Part No.	Size	Length	Remarks	Part No.	Size	Length	Remarks
5220693	1/4" U.N.F. ×	1 1/8" (28.57 mm.)	Hex. Head	19107141	7/16" U.N.F. ×	1 3/4" (44.45 mm.)	Hex. Head
19104099	1/4" U.N.F. ×	1 1/8" (28.57 mm.)	Hex. Head	19107171	7/16" U.N.F. ×	2 1/2" (53.97 mm.)	Hex. Head
19104101	1/4" U.N.F. ×	1 1/4" (31.75 mm.)	Hex. Head	19107202	7/16" U.N.F. ×	2 1/2" (63.50 mm.)	Hex. Head
19104113	1/4" U.N.F. ×	1 3/8" (34.92 mm.)	Hex. Head	19107241	7/16" U.N.F. ×	3" (76.20 mm.)	Hex. Head
19104122	1/4" U.N.F. ×	1 1/2" (38.10 mm.)	Hex. Head	19107281	7/16" U.N.F. ×	3 1/2" (88.90 mm.)	Hex. Head
19104141	1/4" U.N.F. ×	1 3/4" (44.45 mm.)	Hex. Head	19107321	7/16" U.N.F. ×	4" (101.60 mm.)	Hex. Head
19104301	1/4" U.N.F. ×	3 3/4" (95.25 mm.)	Hex. Head	19107341	7/16" U.N.F. ×	4 1/2" (107.95 mm.)	Hex. Head
19105091	5/16" U.N.F. ×	1 1/8" (28.57 mm.)	Hex. Head	19107361	7/16" U.N.F. ×	4 1/2" (114.30 mm.)	Hex. Head
19105101	5/16" U.N.F. ×	1 1/4" (31.75 mm.)	Hex. Head	19107401	7/16" U.N.F. ×	5" (127.00 mm.)	Hex. Head
19105111	5/16" U.N.F. ×	1 3/8" (34.92 mm.)	Hex. Head	19108131	1/2" U.N.F. ×	1 3/8" (41.27 mm.)	Hex. Head
19105121	5/16" U.N.F. ×	1 1/2" (38.10 mm.)	Hex. Head	19108141	1/2" U.N.F. ×	1 3/4" (44.45 mm.)	Hex. Head
19105141	5/16" U.N.F. ×	1 3/4" (44.45 mm.)	Hex. Head	19108221	1/2" U.N.F. ×	2 3/8" (69.85 mm.)	Hex. Head
19105151	5/16" U.N.F. ×	1 7/8" (47.62 mm.)	Hex. Head	19110161	3/8" U.N.F. ×	2" (50.80 mm.)	Hex. Head
19105161	5/16" U.N.F. ×	2" (50.80 mm.)	Hex. Head	19110181	3/8" U.N.F. ×	2 1/4" (57.15 mm.)	Hex. Head
19105181	5/16" U.N.F. ×	2 1/4" (57.15 mm.)	Hex. Head	19110222	3/8" U.N.F. ×	2 3/4" (69.85 mm.)	Hex. Head
19105201	5/16" U.N.F. ×	2 1/2" (63.50 mm.)	Hex. Head	19110262	3/8" U.N.F. ×	3 1/4" (82.55 mm.)	Hex. Head
19105221	5/16" U.N.F. ×	2 3/4" (69.85 mm.)	Hex. Head	19110281	3/8" U.N.F. ×	3 1/2" (88.90 mm.)	Hex. Head
19105241	5/16" U.N.F. ×	3" (76.20 mm.)	Hex. Head	19110311	3/8" U.N.F. ×	3 7/8" (98.42 mm.)	Hex. Head
19105251	5/16" U.N.F. ×	3 1/8" (79.37 mm.)	Hex. Head	19405101	5/16" U.N.C. ×	1 1/4" (31.75 mm.)	Hex. Head
19105281	5/16" U.N.F. ×	3 1/2" (88.90 mm.)	Hex. Head	19405111	5/16" U.N.C. ×	1 3/8" (34.92 mm.)	Hex. Head
19106111	3/8" U.N.F. ×	1 3/8" (34.92 mm.)	Hex. Head	19405161	5/16" U.N.C. ×	2" (50.80 mm.)	Hex. Head
19106121	3/8" U.N.F. ×	1 1/2" (38.10 mm.)	Hex. Head	19405191	5/16" U.N.C. ×	2 3/8" (60.32 mm.)	Hex. Head
19106131	3/8" U.N.F. ×	1 5/8" (41.27 mm.)	Hex. Head	19405271	5/16" U.N.C. ×	3 3/8" (85.72 mm.)	Hex. Head
19106141	3/8" U.N.F. ×	1 3/4" (44.45 mm.)	Hex. Head	19405331	5/16" U.N.C. ×	4 1/8" (104.77 mm.)	Hex. Head
19106161	3/8" U.N.F. ×	2" (50.80 mm.)	Hex. Head	19406121	3/8" U.N.C. ×	1 1/2" (38.10 mm.)	Hex. Head
19106173	3/8" U.N.F. ×	2 1/8" (53.97 mm.)	Hex. Head	19406181	3/8" U.N.C. ×	2 1/4" (57.15 mm.)	Hex. Head
19106183	3/8" U.N.F. ×	2 1/2" (57.15 mm.)	Hex. Head	19406191	3/8" U.N.C. ×	2 3/8" (60.32 mm.)	Hex. Head
19106203	3/8" U.N.F. ×	2 1/2" (63.50 mm.)	Hex. Head	19406201	3/8" U.N.C. ×	2 1/2" (63.50 mm.)	Hex. Head
19106221	3/8" U.N.F. ×	2 3/4" (69.85 mm.)	Hex. Head	19406331	3/8" U.N.C. ×	4 1/2" (104.77 mm.)	Hex. Head
19106261	3/8" U.N.F. ×	3 1/4" (82.55 mm.)	Hex. Head	19406482	3/8" U.N.C. ×	6" (152.40 mm.)	Hex. Head
19106283	3/8" U.N.F. ×	3 1/2" (88.90 mm.)	Hex. Head	19407221	7/16" U.N.C. ×	2 3/4" (69.85 mm.)	Hex. Head
19106291	3/8" U.N.F. ×	3 5/8" (92.07 mm.)	Hex. Head	19408171	1/2" U.N.C. ×	2 1/4" (53.97 mm.)	Hex. Head
19106361	3/8" U.N.F. ×	4 1/2" (114.30 mm.)	Hex. Head	19408191	1/2" U.N.C. ×	2 3/8" (60.32 mm.)	Hex. Head
19107121	7/16" U.N.F. ×	1 1/2" (38.10 mm.)	Hex. Head	19408221	1/2" U.N.C. ×	2 3/4" (69.85 mm.)	Hex. Head
19107131	7/16" U.N.F. ×	1 5/8" (41.27 mm.)	Hex. Head	19408251	1/2" U.N.C. ×	3 1/8" (79.37 mm.)	Hex. Head

SETSCREWS – U.N.F. and U.N.C.

Part No.	Size	Length	Remarks	Part No.	Size	Length	Remarks
19503042	$\frac{3}{16}$ " U.N.F.	$\times \frac{1}{2}$ " (12.70 mm.)	Hex. Head	19508081	$\frac{1}{2}$ " U.N.F.	$\times 1$ " (25.40 mm.)	Hex. Head
19503049	$\frac{1}{16}$ " U.N.F.	$\times \frac{1}{2}$ " (12.70 mm.)	Hex. Head	19508094	$\frac{1}{8}$ " U.N.F.	$\times 1\frac{1}{4}$ " (28.57 mm.)	Hex. Head
19503051	$\frac{3}{16}$ " U.N.F.	$\times \frac{3}{8}$ " (15.87 mm.)	Hex. Head	19508101	$\frac{1}{2}$ " U.N.F.	$\times 1\frac{1}{4}$ " (31.75 mm.)	Hex. Head
19503083	$\frac{3}{16}$ " U.N.F.	$\times 1$ " (25.40 mm.)	Hex. Head	19508112	$\frac{1}{2}$ " U.N.F.	$\times 1\frac{3}{8}$ " (34.92 mm.)	Hex. Head
19504031	$\frac{1}{4}$ " U.N.F.	$\times \frac{3}{8}$ " (9.52 mm.)	Hex. Head	19508121	$\frac{1}{2}$ " U.N.F.	$\times 1\frac{1}{2}$ " (38.10 mm.)	Hex. Head
19504041	$\frac{1}{4}$ " U.N.F.	$\times \frac{1}{2}$ " (12.70 mm.)	Hex. Head	19604041	$\frac{1}{4}$ " U.N.C.	$\times \frac{1}{2}$ " (12.70 mm.)	Hex. Head
19504042	$\frac{1}{4}$ " U.N.F.	$\times \frac{1}{2}$ " (12.70 mm.)	Hex. Head	19604051	$\frac{1}{4}$ " U.N.C.	$\times \frac{5}{8}$ " (15.87 mm.)	Hex. Head
19504051	$\frac{1}{4}$ " U.N.F.	$\times \frac{3}{8}$ " (15.87 mm.)	Hex. Head	19604061	$\frac{1}{4}$ " U.N.C.	$\times \frac{3}{4}$ " (19.05 mm.)	Hex. Head
19504061	$\frac{1}{4}$ " U.N.F.	$\times \frac{3}{4}$ " (19.05 mm.)	Hex. Head	19604071	$\frac{1}{4}$ " U.N.C.	$\times \frac{7}{8}$ " (22.22 mm.)	Hex. Head
19504062	$\frac{1}{4}$ " U.N.F.	$\times \frac{3}{4}$ " (19.05 mm.)	Hex. Head	19605041	$\frac{5}{16}$ " U.N.C.	$\times \frac{1}{2}$ " (12.70 mm.)	Hex. Head
19504071	$\frac{1}{4}$ " U.N.F.	$\times \frac{7}{8}$ " (22.22 mm.)	Hex. Head	19605051	$\frac{5}{16}$ " U.N.C.	$\times \frac{3}{8}$ " (15.87 mm.)	Hex. Head
19504081	$\frac{1}{4}$ " U.N.F.	$\times 1$ " (25.40 mm.)	Hex. Head	19605061	$\frac{5}{16}$ " U.N.C.	$\times \frac{3}{4}$ " (19.05 mm.)	Hex. Head
19504091	$\frac{1}{4}$ " U.N.F.	$\times 1\frac{1}{8}$ " (28.57 mm.)	Hex. Head	19605071	$\frac{5}{16}$ " U.N.C.	$\times \frac{7}{8}$ " (22.22 mm.)	Hex. Head
19504101	$\frac{1}{4}$ " U.N.F.	$\times 1\frac{1}{4}$ " (31.75 mm.)	Hex. Head	19605081	$\frac{5}{16}$ " U.N.C.	$\times 1$ " (25.40 mm.)	Hex. Head
19505031	$\frac{5}{16}$ " U.N.F.	$\times \frac{3}{8}$ " (9.52 mm.)	Hex. Head	19605121	$\frac{5}{16}$ " U.N.C.	$\times 1\frac{1}{2}$ " (38.10 mm.)	Hex. Head
19505041	$\frac{5}{16}$ " U.N.F.	$\times \frac{1}{2}$ " (12.70 mm.)	Hex. Head	19605141	$\frac{5}{16}$ " U.N.C.	$\times 1\frac{3}{4}$ " (44.45 mm.)	Hex. Head
19505051	$\frac{5}{16}$ " U.N.F.	$\times \frac{3}{8}$ " (15.87 mm.)	Hex. Head	19606041	$\frac{3}{8}$ " U.N.C.	$\times \frac{1}{2}$ " (12.70 mm.)	Hex. Head
19505061	$\frac{5}{16}$ " U.N.F.	$\times \frac{3}{4}$ " (19.05 mm.)	Hex. Head	19606051	$\frac{3}{8}$ " U.N.C.	$\times \frac{5}{8}$ " (15.87 mm.)	Hex. Head
19505071	$\frac{5}{16}$ " U.N.F.	$\times \frac{7}{8}$ " (22.22 mm.)	Hex. Head	19606061	$\frac{3}{8}$ " U.N.C.	$\times \frac{3}{4}$ " (19.05 mm.)	Hex. Head
19505081	$\frac{5}{16}$ " U.N.F.	$\times 1$ " (25.40 mm.)	Hex. Head	19606071	$\frac{3}{8}$ " U.N.C.	$\times \frac{7}{8}$ " (22.22 mm.)	Hex. Head
19505091	$\frac{5}{16}$ " U.N.F.	$\times 1\frac{1}{8}$ " (28.57 mm.)	Hex. Head	19606081	$\frac{3}{8}$ " U.N.C.	$\times 1$ " (25.40 mm.)	Hex. Head
19505111	$\frac{5}{16}$ " U.N.F.	$\times 1\frac{3}{8}$ " (34.92 mm.)	Hex. Head	19606091	$\frac{3}{8}$ " U.N.C.	$\times 1\frac{1}{8}$ " (28.57 mm.)	Hex. Head
19505121	$\frac{5}{16}$ " U.N.F.	$\times 1\frac{1}{2}$ " (38.10 mm.)	Hex. Head	19606101	$\frac{3}{8}$ " U.N.C.	$\times 1\frac{1}{4}$ " (31.75 mm.)	Hex. Head
5220221	$\frac{5}{16}$ " U.N.F.	$\times 1\frac{5}{8}$ " (41.27 mm.)	Hex. Head	19606121	$\frac{3}{8}$ " U.N.C.	$\times 1\frac{1}{2}$ " (38.10 mm.)	Hex. Head
19505172	$\frac{5}{16}$ " U.N.F.	$\times 2\frac{1}{8}$ " (53.97 mm.)	Hex. Head	19606221	$\frac{3}{8}$ " U.N.C.	$\times 2\frac{3}{4}$ " (69.85 mm.)	Hex. Head
19506042	$\frac{3}{8}$ " U.N.F.	$\times \frac{1}{2}$ " (12.70 mm.)	Hex. Head	19607092	$\frac{7}{16}$ " U.N.C.	$\times 1\frac{1}{4}$ " (28.57 mm.)	Hex. Head
19506051	$\frac{3}{8}$ " U.N.F.	$\times \frac{3}{8}$ " (15.87 mm.)	Hex. Head	19607101	$\frac{7}{16}$ " U.N.C.	$\times 1\frac{1}{4}$ " (31.75 mm.)	Hex. Head
19506061	$\frac{3}{8}$ " U.N.F.	$\times \frac{3}{4}$ " (19.05 mm.)	Hex. Head	19607122	$\frac{7}{16}$ " U.N.C.	$\times 1\frac{1}{2}$ " (38.10 mm.)	Hex. Head
19506071	$\frac{3}{8}$ " U.N.F.	$\times \frac{7}{8}$ " (22.22 mm.)	Hex. Head	19607142	$\frac{7}{16}$ " U.N.C.	$\times 1\frac{3}{8}$ " (44.45 mm.)	Hex. Head
19506073	$\frac{3}{8}$ " U.N.F.	$\times \frac{7}{8}$ " (22.22 mm.)	Hex. Head	19608081	$\frac{1}{2}$ " U.N.C.	$\times 1$ " (25.40 mm.)	Hex. Head
19506081	$\frac{3}{8}$ " U.N.F.	$\times 1$ " (25.40 mm.)	Hex. Head	19608111	$\frac{1}{2}$ " U.N.C.	$\times 1\frac{3}{8}$ " (34.92 mm.)	Hex. Head
19506083	$\frac{3}{8}$ " U.N.F.	$\times 1$ " (25.40 mm.)	Hex. Head	19608121	$\frac{1}{2}$ " U.N.C.	$\times 1\frac{1}{2}$ " (38.10 mm.)	Hex. Head
19506091	$\frac{3}{8}$ " U.N.F.	$\times 1\frac{1}{8}$ " (28.57 mm.)	Hex. Head	5220227	$\frac{3}{8}$ " U.N.F.	$\times \frac{5}{8}$ " (15.87 mm.)	Cone Point (Hex.)
19506101	$\frac{3}{8}$ " U.N.F.	$\times 1\frac{1}{4}$ " (31.75 mm.)	Hex. Head	19803042	No. 10 U.N.F.	$\times \frac{1}{2}$ " (12.70 mm.)	Cone Point (Hex.)
19506111	$\frac{3}{8}$ " U.N.F.	$\times 1\frac{3}{8}$ " (34.92 mm.)	Hex. Head	19803062	No. 10 U.N.F.	$\times \frac{3}{4}$ " (19.05 mm.)	Cone Point (Hex.)
19506141	$\frac{3}{8}$ " U.N.F.	$\times 1\frac{3}{4}$ " (44.45 mm.)	Hex. Head	19804051	$\frac{1}{4}$ " U.N.F.	$\times \frac{5}{8}$ " (15.87 mm.)	Cone Point (Hex.)
19506151	$\frac{3}{8}$ " U.N.F.	$\times 1\frac{5}{8}$ " (47.62 mm.)	Hex. Head	19804061	$\frac{1}{4}$ " U.N.F.	$\times \frac{3}{4}$ " (19.05 mm.)	Cone Point (Hex.)
19506161	$\frac{3}{8}$ " U.N.F.	$\times 2$ " (50.80 mm.)	Hex. Head	19804062	$\frac{1}{4}$ " U.N.F.	$\times \frac{3}{4}$ " (19.05 mm.)	Cone Point (Hex.)
19507041	$\frac{7}{16}$ " U.N.F.	$\times \frac{1}{2}$ " (12.70 mm.)	Hex. Head	19804071	$\frac{1}{4}$ " U.N.F.	$\times \frac{7}{8}$ " (22.22 mm.)	Cone Point (Hex.)
19507071	$\frac{7}{16}$ " U.N.F.	$\times \frac{7}{8}$ " (22.22 mm.)	Hex. Head	19805071	$\frac{5}{16}$ " U.N.F.	$\times \frac{7}{8}$ " (22.22 mm.)	Cone Point (Hex.)
19507081	$\frac{7}{16}$ " U.N.F.	$\times 1$ " (25.40 mm.)	Hex. Head	19805072	$\frac{5}{16}$ " U.N.F.	$\times \frac{7}{8}$ " (22.22 mm.)	Cone Point (Hex.)
19507091	$\frac{7}{16}$ " U.N.F.	$\times 1\frac{1}{8}$ " (28.57 mm.)	Hex. Head	19805091	$\frac{5}{16}$ " U.N.F.	$\times 1\frac{1}{8}$ " (28.57 mm.)	Cone Point (Hex.)
19507101	$\frac{7}{16}$ " U.N.F.	$\times 1\frac{1}{4}$ " (31.75 mm.)	Hex. Head	19806071	$\frac{3}{8}$ " U.N.F.	$\times \frac{3}{4}$ " (22.22 mm.)	Cone Point (Hex.)
19507111	$\frac{7}{16}$ " U.N.F.	$\times 1\frac{3}{8}$ " (34.92 mm.)	Hex. Head	19806171	$\frac{3}{8}$ " U.N.F.	$\times 2\frac{1}{8}$ " (53.97 mm.)	Cone Point (Hex.)
19508051	$\frac{1}{2}$ " U.N.F.	$\times \frac{5}{8}$ " (15.87 mm.)	Hex. Head				

SPECIAL SETSCREWS AND BOLTS

Part No.	Size	Length	Remarks	Part No.	Size	Length	Remarks
9000000	2 B.A.	$\times \frac{5}{16}$ " (7.93 mm.)		9003015	No. 10 U.N.F.	$\times \frac{5}{16}$ " (7.93 mm.)	
9000003	$\frac{1}{4}$ " B.S.F.	$\times \frac{7}{16}$ " (11.11 mm.)		9003059	$\frac{3}{8}$ " U.N.F.	$\times \frac{5}{8}$ " (15.87 mm.)	
9000029	$\frac{3}{8}$ " B.S.F.	$\times \frac{3}{4}$ " (19.05 mm.)		9003080	$\frac{7}{16}$ " U.N.C.	$\times 2$ " (50.80 mm.)	
9000052	$\frac{7}{16}$ " B.S.F.	$\times 1$ " (25.40 mm.)		9003102	$\frac{1}{2}$ " U.N.F.	$\times 1\frac{1}{16}$ " (26.98 mm.)	
9000064	6 mm.	$\times \frac{7}{16}$ " (11.11 mm.)		9003103	$\frac{1}{2}$ " U.N.F.	$\times 1\frac{1}{4}$ " (31.75 mm.)	
9000065	8 mm.	$\times 1\frac{1}{8}$ " (20.63 mm.)		9003117	$\frac{1}{2}$ " U.N.F.	$\times 3\text{--}6$ " (91.44 mm.)	
9000066	5 mm.	$\times \frac{3}{4}$ " (19.05 mm.)		9003119	$\frac{5}{16}$ " U.N.C.	$\times 1\frac{3}{8}$ " (34.92 mm.)	
9000067	$\frac{1}{4}$ " B.S.F.	$\times \frac{5}{8}$ " (15.87 mm.)		9003120	$\frac{5}{16}$ " U.N.C.	$\times 1\frac{1}{2}$ " (38.10 mm.)	
9000080	$\frac{5}{16}$ " B.S.F.	$\times 6$ " (15.24 mm.)		9003140	$\frac{3}{8}$ " U.N.F.	$\times 4\frac{1}{4}$ " (107.95 mm.)	
9000093	$\frac{5}{16}$ " B.S.W.	$\times 1\frac{1}{8}$ " (20.63 mm.)		9003149	$\frac{1}{16}$ " U.N.F.	$\times 3\frac{1}{2}$ " (88.90 mm.)	
9000100	$\frac{3}{8}$ " B.S.F.	$\times \frac{7}{8}$ " (22.22 mm.)		9003168	$\frac{5}{16}$ " U.N.F.	$\times 69$ " (17.78 mm.)	Thin Head
9000119	$\frac{7}{16}$ " B.S.F.	$\times 1\frac{3}{8}$ " (44.45 mm.)		9003174	$\frac{5}{16}$ " U.N.F.	$\times 1\frac{1}{16}$ " (26.98 mm.)	
9000120	$\frac{7}{16}$ " B.S.F.	$\times 1\frac{3}{4}$ " (44.45 mm.)		9003196	$\frac{3}{8}$ " U.N.F.	$\times 1\frac{1}{8}$ " (17.46 mm.)	
9000195	$\frac{1}{4}$ " B.S.F.	$\times \frac{5}{8}$ " (15.87 mm.)		9003250	$\frac{1}{4}$ " U.N.C.	$\times 1\text{--}32$ " (33.3 mm.)	

SPECIAL SETSCREWS and BOLTS (continued)

Part No.	Size	Length	Part No.	Size	Length
9050003	4 mm. × $\frac{13}{32}$ " (10.31 mm.)	Cheese Head (Brass)	9050044	2 B.A. × $\frac{3}{4}$ " (19.05 mm.)	Cheese Head
9050027	5 B.A. × $\frac{5}{8}$ " (15.87 mm.)	Round Head	9050056	$\frac{3}{8}$ " B.S.W. × $\frac{1}{4}$ " (6.35 mm.)	Cheese Head
9050028	4 B.A. × $\frac{3}{8}$ " (9.52 mm.)	Round Head	9050102	No. 10 U.N.C. × $\frac{5}{8}$ " (15.87 mm.)	Round Head
9050042	2 B.A. × $\frac{1}{16}$ " (17.46 mm.)	Oval C/Sunk Head (Dog Point)	9050111	No. 10 U.N.F. × $1\frac{1}{4}$ " (31.75 mm.)	Fillister Head
			9050140	No. 10 U.N.F. × $\frac{3}{4}$ " (19.05 mm.)	Cheese Head
			9050141	No. 6 U.N.C. × $\frac{7}{8}$ " (22.22 mm.)	Round Head

SCREWS (Setscrew – Machine Screws)

Part No.	Size	Length	Remarks	Part No.	Size	Length	Remarks
39004100	$\frac{1}{4}$ " B.S.F. × $\frac{3}{8}$ " (15.87 mm.)	Flat C/Sunk Head		39104120	$\frac{1}{4}$ " U.N.F. × $\frac{3}{8}$ " (19.05 mm.)	Flat C/Sunk Head	
39004140	$\frac{1}{4}$ " B.S.F. × $\frac{7}{8}$ " (22.22 mm.)	Flat C/Sunk Head		39104140	$\frac{1}{4}$ " U.N.F. × $\frac{7}{8}$ " (22.22 mm.)	Flat C/Sunk Head	
39005086	$\frac{5}{16}$ " B.S.F. × $\frac{1}{2}$ " (12.70 mm.)	Flat C/Sunk Head		39105120	$\frac{5}{16}$ " U.N.F. × $\frac{3}{4}$ " (19.05 mm.)	Flat C/Sunk Head	
39006200	$\frac{3}{8}$ " B.S.F. × $1\frac{1}{4}$ " (31.75 mm.)	Flat C/Sunk Head		39203102	No. 10 U.N.F. × $\frac{3}{8}$ " (15.87 mm.)	Oval C/Sunk Head	
39021080	4 B.A. × $\frac{1}{2}$ " (12.70 mm.)	Binding Head		39203110	No. 10 U.N.F. × $1\frac{1}{8}$ " (17.46 mm.)	Oval C/Sunk Head	
39023080	2 B.A. × $\frac{1}{2}$ " (12.70 mm.)	Binding Head		39204123	$\frac{1}{4}$ " U.N.F. × $\frac{3}{4}$ " (19.05 mm.)	Oval C/Sunk Head	
39023100	2 B.A. × $\frac{3}{8}$ " (15.87 mm.)	Binding Head		39204125	$\frac{1}{4}$ " U.N.F. × $\frac{3}{4}$ " (19.05 mm.)	Oval C/Sunk Head	
39023120	2 B.A. × $\frac{3}{4}$ " (19.05 mm.)	Binding Head		39302081	No. 8 U.N.F. × $\frac{1}{2}$ " (12.70 mm.)	Pan Head	
39031060	4 B.A. × $\frac{3}{8}$ " (9.52 mm.)	Cheese Head		39303060	No. 10 U.N.F. × $\frac{3}{8}$ " (9.52 mm.)	Pan Head	
39031061	4 B.A. × $\frac{3}{8}$ " (9.52 mm.)	Cheese Head		39303080	No. 10 U.N.F. × $\frac{1}{2}$ " (12.70 mm.)	Pan Head	
39031100	4 B.A. × $\frac{5}{8}$ " (15.87 mm.)	Cheese Head		39303100	No. 10 U.N.F. × $\frac{5}{8}$ " (15.87 mm.)	Pan Head	
39033080	2 B.A. × $\frac{1}{2}$ " (12.70 mm.)	Cheese Head		39304060	$\frac{1}{4}$ " U.N.F. × $\frac{3}{8}$ " (9.52 mm.)	Pan Head	
39033100	2 B.A. × $\frac{3}{8}$ " (15.87 mm.)	Cheese Head		39304064	$\frac{1}{4}$ " U.N.F. × $\frac{3}{8}$ " (9.52 mm.)	Pan Head	
39033120	2 B.A. × $\frac{3}{4}$ " (19.05 mm.)	Cheese Head		39304091	$\frac{1}{4}$ " U.N.F. × $\frac{7}{8}$ " (14.28 mm.)	Pan Head	
39033140	2 B.A. × $\frac{7}{8}$ " (22.22 mm.)	Cheese Head		39304121	$\frac{1}{4}$ " U.N.F. × $\frac{3}{4}$ " (19.05 mm.)	Pan Head	
39033141	2 B.A. × $\frac{7}{8}$ " (22.22 mm.)	Cheese Head		39323120	No. 10 U.N.F. × $\frac{3}{4}$ " (19.05 mm.)	Pan Head (Cone Point)	
39033160	2 B.A. × 1" (25.40 mm.)	Cheese Head		39324060	$\frac{1}{4}$ " U.N.F. × $\frac{3}{8}$ " (9.52 mm.)	Pan Head (Cone Point)	
39033200	2 B.A. × $1\frac{1}{4}$ " (31.75 mm.)	Cheese Head		39324120	$\frac{1}{4}$ " U.N.F. × $\frac{3}{4}$ " (19.05 mm.)	Pan Head (Cone Point)	
39034080	$\frac{1}{4}$ " B.S.F. × $\frac{1}{2}$ " (12.70 mm.)	Cheese Head		39413041	No. 10 U.N.F. × $\frac{1}{4}$ " (6.35 mm.)	Fillister Head	
39035180	$\frac{5}{16}$ " B.S.F. × $1\frac{1}{8}$ " (28.57 mm.)	Cheese Head		39413051	No. 10 U.N.F. × $\frac{5}{16}$ " (7.93 mm.)	Fillister Head	
39041060	4 B.A. × $\frac{3}{8}$ " (9.52 mm.)	Round Head		39413071	No. 10 U.N.F. × $\frac{7}{16}$ " (11.11 mm.)	Fillister Head	
39042080	3 B.A. × $\frac{1}{2}$ " (12.70 mm.)	Round Head		39615160	$\frac{5}{16}$ " U.N.C. × 1" (25.40 mm.)	Flat C/Sunk Head	
39043080	2 B.A. × $\frac{1}{2}$ " (12.70 mm.)	Round Head		39621101	No. 6 U.N.C. × $\frac{5}{8}$ " (15.87 mm.)	Flat C/Sunk Head	
39043120	2 B.A. × $\frac{3}{4}$ " (19.05 mm.)	Round Head		39904080	$\frac{1}{4}$ " U.N.C. × $\frac{1}{2}$ " (12.70 mm.)	Fillister Head	
39073120	2 B.A. × $\frac{3}{4}$ " (19.05 mm.)	Binding Head (Cone Point)		39904100	$\frac{1}{4}$ " U.N.C. × $\frac{3}{8}$ " (15.87 mm.)	Fillister Head	
39103051	No. 10 U.N.F. × $\frac{5}{16}$ " (7.93 mm.)	Flat C/Sunk Head		39904101	$\frac{1}{4}$ " U.N.C. × $\frac{5}{8}$ " (15.87 mm.)	Fillister Head	
39103141	No. 10 U.N.F. × $\frac{7}{8}$ " (22.22 mm.)	Flat C/Sunk Head					
39104110	$\frac{1}{4}$ " U.N.F. × $1\frac{1}{8}$ " (17.46 mm.)	Flat C/Sunk Head					

TAPPING (Sheet Metal) SCREWS

Part No.	Size	Length	Remarks	Part No.	Size	Length	Remarks
9711065	No. 4 × $\frac{3}{8}$ " (9.52 mm.)	Flat C/Sunk Head		9732084	No. 6 × $\frac{1}{2}$ " (12.70 mm.)	Pan Head	
9711083	No. 4 × $\frac{1}{2}$ " (12.70 mm.)	Flat C/Sunk Head		9732086	No. 6 × $\frac{1}{2}$ " (12.70 mm.)	Pan Head	
9711086	No. 4 × $\frac{1}{2}$ " (12.70 mm.)	Flat C/Sunk Head		9732126	No. 6 × $\frac{3}{4}$ " (19.05 mm.)	Pan Head	
9711106	No. 4 × $\frac{5}{8}$ " (15.87 mm.)	Flat C/Sunk Head		9733086	No. 8 × $\frac{1}{2}$ " (12.70 mm.)	Pan Head	
9714081	No. 10 × $\frac{1}{2}$ " (12.70 mm.)	Flat C/Sunk Head		9734083	No. 10 × $\frac{1}{2}$ " (12.70 mm.)	Pan Head	
9714083	No. 10 × $\frac{1}{2}$ " (12.70 mm.)	Flat C/Sunk Head		9734084	No. 10 × $\frac{1}{2}$ " (12.70 mm.)	Pan Head	
9714106	No. 10 × $\frac{3}{8}$ " (15.87 mm.)	Flat C/Sunk Head		9734086	No. 10 × $\frac{1}{2}$ " (12.70 mm.)	Pan Head	
9721086	No. 4 × $\frac{1}{2}$ " (12.70 mm.)	Raised C/Sunk Head		9734103	No. 10 × $\frac{5}{8}$ " (15.87 mm.)	Pan Head	
9721146	No. 4 × $\frac{7}{8}$ " (22.22 mm.)	Raised C/Sunk Head		9734104	No. 10 × $\frac{5}{8}$ " (15.87 mm.)	Pan Head	
9722086	No. 6 × $\frac{1}{2}$ " (12.70 mm.)	Raised C/Sunk Head		9738087	$\frac{3}{8}$ " × $\frac{1}{2}$ " (12.70 mm.)	Pan Head	
9731046	No. 4 × $\frac{1}{4}$ " (6.35 mm.)	Pan Head		9762085	No. 6 × $\frac{1}{2}$ " (12.70 mm.)	Raised C/Sunk Head	
9732066	No. 6 × $\frac{3}{8}$ " (9.52 mm.)	Pan Head					

NUTS – B.A., B.S.F. and B.S.W.

Part No.	Size	Type	Remarks	Part No.	Size	Type	Remarks
9600041	1/4" B.S.F.	Hex.		9601612	1/8" B.S.P.	Locknut	
9600051	5/16" B.S.F.	Hex.		9602051	5/16" B.S.F.	Slotted	
9600061	3/8" B.S.F.	Hex.		9602081	1/2" B.S.F.	Slotted	
9600065	3/8" B.S.F.	Hex.		9602101	5/8" B.S.F.	Slotted	
9600070	7/16" B.S.F.	Hex.		9603061	3/8" B.S.F.	Castellated	
9600071	7/16" B.S.F.	Hex.		9604355	5/16" B.S.W.	Square	
9600075	7/16" B.S.F.	Hex.		9606046	1/4" B.S.F.	Elastic Stop	
9600521	2 B.A.	Hex.		9608065	3/8" B.S.F.	Nyloc	
9600541	4 B.A.	Hex.		9608106	5/8" B.S.F.	Nyloc	
9600551	5 B.A.	Hex.		5200195	5/16" B.S.W.	Nyloc	
9601041	1/4" B.S.F.	Locknut		9609065	3/8" B.S.F.	Nyloc	Thin
9601051	5/16" B.S.F.	Locknut		9609066	3/8" B.S.F.	Nyloc	Thin
9601081	1/2" B.S.F.	Locknut		9609085	1/2" B.S.F.	Nyloc	Thin
9601142	7/8" B.S.F.	Locknut		9609125	3/4" B.S.F.	Nyloc	Thin
9601521	2 B.A.	Locknut		9609356	1/8" B.S.W.	Nyloc	Thin
9601522	2 B.A.	Locknut		9610085	1/2" B.S.F.	Pinnacle	

NUTS – U.N.F. and U.N.C.

Part No.	Size	Type	Remarks	Part No.	Size	Type	Remarks
9510030	No. 10 U.N.F.	Hex.	Plain	9540100	5/8" U.N.F.	Hex.	Slotted
9510031	No. 10 U.N.F.	Hex.	Plain	9540143	7/8" U.N.F.	Hex.	Slotted
9510040	1/4" U.N.F.	Hex.	Plain	9550025	No. 8 A.N.F.	Hex.	Brass
9510041	1/4" U.N.F.	Hex.	Plain	9550030	No. 10 U.N.C.	Hex.	Plain
5221350	5/16" U.N.F.	Hex.	Plain	5220214	5/16" U.N.C.	Hex.	Plain
9510052	5/16" U.N.F.	Hex.	Plain	9550062	3/8" U.N.C.	Hex.	Plain
5221351	3/8" U.N.F.	Hex.	Plain	9550072	7/8" U.N.C.	Hex.	Plain
9510070	7/16" U.N.F.	Hex.	Plain	9550082	1/2" U.N.C.	Hex.	Plain
9510080	1/2" U.N.F.	Hex.	Plain				
9510100	5/8" U.N.F.	Hex.	Plain	9551043	1/4" U.N.F.	Hex.	Nyloc
9520040	1/4" U.N.F.	Hex.	Locknut	9551063	3/8" U.N.F.	Hex.	Nyloc
9520050	5/16" U.N.F.	Hex.	Locknut	9551073	7/16" U.N.F.	Hex.	Nyloc
9520060	3/8" U.N.F.	Hex.	Locknut	9551083	1/2" U.N.F.	Hex.	Nyloc
9520072	7/16" U.N.F.	Hex.	Locknut	9551103	5/8" U.N.F.	Hex.	Nyloc
9520080	1/2" U.N.F.	Hex.	Locknut	9551143	7/8" U.N.F.	Hex.	Nyloc
9520100	5/8" U.N.F.	Hex.	Locknut	9552034	No. 10 U.N.F.	Hex.	Nyloc-thin
9520120	3/4" U.N.F.	Hex.	Locknut	9552043	1/4" U.N.F.	Hex.	Nyloc
9520160	1" U.N.F.	Hex.	Locknut	9552053	7/16" U.N.F.	Hex.	Nyloc
9520180	1 1/8" U.N.F.	Hex.	Locknut	9552063	3/8" U.N.F.	Hex.	Nyloc
9540040	1/4" U.N.F.	Hex.	Slotted	9556053	5/16" U.N.F.	Hex.	Oddie
9540050	5/16" U.N.F.	Hex.	Slotted	9566041	1/4" U.N.F.	Wing Nut	
9540060	3/8" U.N.F.	Hex.	Slotted	9568040	1/4" U.N.F.	Wing Nut	
9540080	1/2" U.N.F.	Hex.	Slotted				

SPECIAL NUTS

Part No.	Size	Type	Remarks	Part No.	Size	Type	Remarks
9022019	3/8" B.S.F.	Dome Nut		9029144	3/8" U.N.F.		
9029000	5 mm.			9029159	7/8" U.N.F.		
9029004	8 mm.			9029169	3/8" U.N.F.		
9029010	2 B.A. x .16" thick	Non-slotted		9029173	3/8" U.N.F.		
9029014	1/8" B.S.P.			9029187	No. 8 U.N.C.		
9029015	1/8" B.S.P.			9032007	5/8" B.S.F.		
9029022	5/8" B.S.P.			9032012	3/4" 16 T.P.I.		
9029032	1/4" B.S.W.			9032020	1" 20 T.P.I.		
9029089	5/16" B.S.F.	Brass		9032026	1/2" U.N.F.		
9029099	3/8" B.S.F.			9032028	5/8" U.N.F.		
9029111	7/16" B.S.F.			9032039	1 1/8" 18 U.N.		
9029112	7/16" B.S.F.			9034020	12 mm.	Nyloc	
9029118	1/2" B.S.F.						

WASHERS

Part No.	I/D	O/D	S.W.G.	Remarks	Part No.	I/D	O/D	S.W.G.	Remarks
9067000	$\frac{1}{8}$ " (3.17 mm.)	$\frac{5}{16}$ " (7.93 mm.)	20 S.W.G.	Plain	9067405	$\frac{11}{16}$ " (8.73 mm.)	$\frac{3}{4}$ " (19.05 mm.)	15 S.W.G.	Plain
9067008	$\frac{3}{16}$ " (4.76 mm.)	$\frac{3}{8}$ " (9.52 mm.)	20 S.W.G.	Plain	9067409	$\frac{11}{16}$ " (8.73 mm.)	1" (25.40 mm.)	18 S.W.G.	Plain
9067010	$\frac{3}{16}$ " (4.76 mm.)	$\frac{1}{2}$ " (12.70 mm.)	20 S.W.G.	Plain	9067412	$\frac{11}{16}$ " (8.73 mm.)	$\frac{11}{16}$ " (17.85 mm.)	7 S.W.G.	Plain
9067011	$\frac{3}{16}$ " (4.76 mm.)	$\frac{1}{2}$ " (12.70 mm.)	16 S.W.G.	Plain	9067418	$\frac{11}{16}$ " (8.73 mm.)	$\frac{1}{8}$ " (20.63 mm.)	16 S.W.G.	Plain
9067013	$\frac{3}{16}$ " (4.76 mm.)	$\frac{3}{4}$ " (19.05 mm.)	18 S.W.G.	Plain	9076008	$\frac{3}{8}$ " (4.76 mm.)	$\frac{3}{8}$ " (9.52 mm.)	18 S.W.G.	Brass
9067014	$\frac{1}{4}$ " (6.35 mm.)	$\frac{1}{2}$ " (12.70 mm.)	20 S.W.G.	Plain	9076017	$\frac{1}{4}$ " (6.35 mm.)	$\frac{3}{4}$ " (19.05 mm.)	16 S.W.G.	Brass
9067015	$\frac{1}{4}$ " (6.35 mm.)	$\frac{1}{2}$ " (12.70 mm.)	16 S.W.G.	Plain	9076045	7" (17.78 mm.)	1 $\frac{1}{2}$ " (38.10 mm.)	16 S.W.G.	Brass
9067017	$\frac{1}{4}$ " (6.35 mm.)	$\frac{3}{4}$ " (19.05 mm.)	20 S.W.G.	Plain	9076053	1" (25.40 mm.)	1 $\frac{7}{8}$ " (47.62 mm.)	16 S.W.G.	Brass
9067018	$\frac{1}{4}$ " (6.35 mm.)	$\frac{3}{4}$ " (19.05 mm.)	16 S.W.G.	Plain	9077000	$\frac{1}{8}$ " (3.17 mm.)	$\frac{3}{8}$ " (9.52 mm.)	$\frac{3}{16}$ "	Copper
9067022	$\frac{5}{16}$ " (7.93 mm.)	$\frac{3}{4}$ " (19.05 mm.)	20 S.W.G.	Plain	9077002	$\frac{3}{16}$ " (4.76 mm.)	$\frac{5}{16}$ " (7.93 mm.)	$\frac{1}{16}$ "	Copper
9067023	$\frac{5}{16}$ " (7.93 mm.)	$\frac{3}{4}$ " (19.05 mm.)	16 S.W.G.	Plain	9077010	$\frac{5}{16}$ " (7.93 mm.)	$\frac{11}{16}$ " (11.90 mm.)	$\frac{1}{32}$ "	Copper
9067025	$\frac{5}{16}$ " (7.93 mm.)	$\frac{3}{4}$ " (19.05 mm.)	12 S.W.G.	Plain	9077016	$\frac{3}{8}$ " (9.52 mm.)	$\frac{11}{16}$ " (13.49 mm.)	$\frac{1}{16}$ "	Copper
9067026	$\frac{5}{16}$ " (7.93 mm.)	$\frac{3}{4}$ " (19.05 mm.)	20 S.W.G.	Plain	9077037	$\frac{1}{8}$ " (14.28 mm.)	$\frac{1}{2}$ " (20.63 mm.)	$\frac{1}{32}$ "	Copper
9067027	$\frac{5}{16}$ " (7.93 mm.)	$\frac{3}{4}$ " (19.05 mm.)	16 S.W.G.	Plain	9077040	$\frac{1}{8}$ " (15.87 mm.)	1" (25.40 mm.)	$\frac{1}{32}$ "	Copper
9067029	$\frac{5}{16}$ " (7.93 mm.)	1" (25.40 mm.)	16 S.W.G.	Plain	9077046	$\frac{1}{8}$ " (20.63 mm.)	1" (25.40 mm.)	$\frac{1}{32}$ "	Copper
9067032	$\frac{5}{16}$ " (7.93 mm.)	1 $\frac{1}{4}$ " (31.75 mm.)	10 S.W.G.	Plain	9077048	$\frac{7}{16}$ " (22.22 mm.)	1 $\frac{1}{8}$ " (28.57 mm.)	$\frac{1}{32}$ "	Copper
9067034	$\frac{3}{8}$ " (9.52 mm.)	$\frac{3}{4}$ " (19.05 mm.)	16 S.W.G.	Plain	9077057	1 $\frac{1}{8}$ " (34.92 mm.)	1 $\frac{3}{8}$ " (44.45 mm.)	$\frac{1}{32}$ "	Copper
9067035	$\frac{3}{8}$ " (9.52 mm.)	$\frac{3}{4}$ " (19.05 mm.)	14 S.W.G.	Plain	9077069	$\frac{1}{2}$ " (12.70 mm.)	1 $\frac{1}{8}$ " (17.46 mm.)	$\frac{1}{32}$ "	Copper
9067036	$\frac{3}{8}$ " (9.52 mm.)	$\frac{3}{4}$ " (19.05 mm.)	14 S.W.G.	Plain	9077075	$\frac{1}{2}$ " (12.70 mm.)	$\frac{11}{16}$ " (19.84 mm.)	$\frac{1}{32}$ "	Copper
9067038	$\frac{3}{8}$ " (9.52 mm.)	$\frac{7}{8}$ " (22.22 mm.)	16 S.W.G.	Plain	9077076	$\frac{1}{2}$ " (6.35 mm.)	$\frac{11}{16}$ " (11.90 mm.)	$\frac{1}{32}$ "	Copper
9067039	$\frac{3}{8}$ " (9.52 mm.)	$\frac{7}{8}$ " (22.22 mm.)	10 S.W.G.	Plain	9077082	$\frac{11}{16}$ " (11.50 mm.)	$\frac{3}{4}$ " (19.05 mm.)	$\frac{1}{16}$ "	Copper
9067041	$\frac{3}{8}$ " (9.52 mm.)	1" (25.40 mm.)	16 S.W.G.	Plain	9077090	$\frac{11}{16}$ " (7.14 mm.)	$\frac{3}{4}$ " (13.89 mm.)	$\frac{1}{16}$ "	Copper
9067042	$\frac{3}{8}$ " (9.52 mm.)	1" (25.40 mm.)	10 S.W.G.	Plain	9077091	$\frac{11}{16}$ " (8.73 mm.)	$\frac{3}{4}$ " (14.68 mm.)	$\frac{1}{16}$ "	Copper
9067043	$\frac{3}{8}$ " (9.52 mm.)	1 $\frac{1}{8}$ " (28.57 mm.)	14 S.W.G.	Plain	9077602	$\frac{11}{16}$ " (11.50 mm.)	$\frac{1}{2}$ " (12.70 mm.)	$\frac{3}{16}$ "	Copper
9067046	$\frac{7}{16}$ " (11.11 mm.)	$\frac{3}{4}$ " (19.05 mm.)	16 S.W.G.	Plain	9077607	$\frac{1}{2}$ " (12.70 mm.)	7" (17.78 mm.)	$\frac{3}{16}$ "	Copper
9067047	$\frac{7}{16}$ " (11.11 mm.)	$\frac{7}{8}$ " (22.22 mm.)	16 S.W.G.	Plain	9077610	1 $\frac{1}{8}$ " (17.46 mm.)	1 $\frac{3}{8}$ " (20.63 mm.)	$\frac{3}{16}$ "	Copper
9067048	$\frac{7}{16}$ " (11.11 mm.)	$\frac{7}{8}$ " (22.22 mm.)	12 S.W.G.	Plain	9077621	1" (25.40 mm.)	1 $\frac{3}{8}$ " (34.92 mm.)	$\frac{3}{16}$ "	Copper & Asbestos
9067049	$\frac{7}{16}$ " (11.11 mm.)	$\frac{7}{8}$ " (22.22 mm.)	10 S.W.G.	Plain	9078007	$\frac{1}{4}$ " (6.35 mm.)	$\frac{3}{8}$ " (9.52 mm.)	$\frac{1}{32}$ "	Fibre
9067052	$\frac{7}{16}$ " (11.11 mm.)	1 $\frac{1}{8}$ " (28.57 mm.)	16 S.W.G.	Plain	9078009	$\frac{1}{4}$ " (6.35 mm.)	$\frac{7}{16}$ " (11.11 mm.)	$\frac{1}{16}$ "	Fibre
9067054	$\frac{7}{16}$ " (11.11 mm.)	1 $\frac{1}{4}$ " (31.75 mm.)	10 S.W.G.	Plain	9078013	$\frac{11}{16}$ " (8.73 mm.)	$\frac{3}{8}$ " (15.87 mm.)	$\frac{1}{16}$ "	Fibre
9067056	$\frac{1}{2}$ " (12.70 mm.)	$\frac{7}{8}$ " (22.22 mm.)	16 S.W.G.	Plain	9078015	$\frac{11}{16}$ " (9.12 mm.)	$\frac{1}{2}$ " (12.70 mm.)	$\frac{1}{32}$ "	Fibre
9067057	$\frac{1}{2}$ " (12.70 mm.)	$\frac{7}{8}$ " (22.22 mm.)	10 S.W.G.	Plain	9078017	$\frac{3}{8}$ " (9.52 mm.)	$\frac{3}{4}$ " (19.05 mm.)	$\frac{1}{32}$ "	Fibre
9067058	$\frac{1}{2}$ " (12.70 mm.)	1" (25.40 mm.)	16 S.W.G.	Plain	9078018	$\frac{11}{16}$ " (10.31 mm.)	$\frac{7}{8}$ " (14.28 mm.)	$\frac{1}{16}$ "	Fibre
9067059	$\frac{1}{2}$ " (12.70 mm.)	1" (25.40 mm.)	12 S.W.G.	Plain	9078019	$\frac{11}{16}$ " (10.31 mm.)	$\frac{3}{4}$ " (15.87 mm.)	$\frac{1}{16}$ "	Fibre
9067060	$\frac{1}{2}$ " (12.70 mm.)	1 $\frac{1}{4}$ " (31.75 mm.)	12 S.W.G.	Plain	9078022	$\frac{11}{16}$ " (11.90 mm.)	$\frac{3}{4}$ " (19.84 mm.)	$\frac{1}{16}$ "	Fibre
9067064	$\frac{3}{8}$ " (14.28 mm.)	1" (25.40 mm.)	16 S.W.G.	Plain	9078027	$\frac{1}{2}$ " (12.70 mm.)	1 $\frac{1}{8}$ " (17.46 mm.)	$\frac{1}{32}$ "	Fibre
9067066	$\frac{3}{8}$ " (14.28 mm.)	1 $\frac{1}{8}$ " (28.57 mm.)	12 S.W.G.	Plain	9078029	$\frac{11}{16}$ " (13.49 mm.)	1 $\frac{1}{8}$ " (20.63 mm.)	$\frac{1}{16}$ "	Fibre
9067069	$\frac{3}{8}$ " (15.87 mm.)	1 $\frac{1}{4}$ " (31.75 mm.)	14 S.W.G.	Plain	9078032	$\frac{3}{8}$ " (15.87 mm.)	1 $\frac{1}{8}$ " (28.57 mm.)	$\frac{1}{16}$ "	Fibre
9067070	$\frac{3}{8}$ " (15.87 mm.)	1 $\frac{1}{4}$ " (31.75 mm.)	12 S.W.G.	Plain	9078034	$\frac{11}{16}$ " (16.66 mm.)	1" (25.40 mm.)	$\frac{1}{16}$ "	Fibre
9067071	$\frac{3}{8}$ " (15.87 mm.)	1 $\frac{1}{4}$ " (31.75 mm.)	10 S.W.G.	Plain	9078036	$\frac{11}{16}$ " (18.25 mm.)	1 $\frac{1}{8}$ " (24.60 mm.)	$\frac{1}{32}$ "	Fibre
9067076	$\frac{3}{4}$ " (19.05 mm.)	1 $\frac{1}{4}$ " (31.75 mm.)	10 S.W.G.	Plain	9078037	$\frac{11}{16}$ " (18.25 mm.)	1" (25.40 mm.)	$\frac{1}{16}$ "	Fibre
9067083	$\frac{7}{8}$ " (22.22 mm.)	1 $\frac{3}{8}$ " (44.45 mm.)	9 S.W.G.	Plain	9078039	$\frac{11}{16}$ " (13.49 mm.)	1 $\frac{1}{8}$ " (28.57 mm.)	$\frac{1}{16}$ "	Fibre
9067086	1" (25.40 mm.)	1 $\frac{5}{8}$ " (47.62 mm.)	8 S.W.G.	Plain	9078041	$\frac{11}{16}$ " (21.43 mm.)	1 $\frac{1}{16}$ " (26.98 mm.)	$\frac{1}{16}$ "	Fibre
9067091	$\frac{1}{8}$ " (3.17 mm.)	$\frac{3}{8}$ " (9.52 mm.)	20 S.W.G.	Plain	9078045	1" (25.40 mm.)	1 $\frac{3}{8}$ " (34.92 mm.)	$\frac{1}{32}$ "	Fibre
9067095	$\frac{1}{16}$ " (4.76 mm.)	$\frac{1}{2}$ " (12.70 mm.)	20 S.W.G.	Plain	9078051	1 $\frac{1}{16}$ " (42.86 mm.)	2 $\frac{1}{8}$ " (53.97 mm.)	$\frac{1}{16}$ "	Fibre
9067098	$\frac{1}{4}$ " (6.35 mm.)	$\frac{3}{8}$ " (15.87 mm.)	20 S.W.G.	Plain	9078075	$\frac{11}{16}$ " (11.90 mm.)	$\frac{11}{16}$ " (18.25 mm.)	$\frac{1}{32}$ "	Fibre
9067104	$\frac{5}{16}$ " (7.93 mm.)	$\frac{3}{4}$ " (19.05 mm.)	20 S.W.G.	Plain	9078082	$\frac{1}{4}$ " (6.35 mm.)	$\frac{11}{16}$ " (19.84 mm.)	$\frac{1}{16}$ "	Fibre
9067220	$\frac{1}{4}$ " (6.35 mm.)	1 $\frac{1}{8}$ " (28.57 mm.)	16 S.W.G.	Plain	9078080	$\frac{11}{16}$ " (4.36 mm.)	$\frac{1}{2}$ " (12.70 mm.)	$\frac{1}{8}$ "	Fibre
9067243	$\frac{3}{8}$ " (9.52 mm.)	$\frac{3}{4}$ " (19.05 mm.)	16 S.W.G.	Plain	9078087	$\frac{3}{8}$ " (9.52 mm.)	$\frac{7}{8}$ " (22.22 mm.)	$\frac{1}{32}$ "	Fibre
9067270	$\frac{7}{16}$ " (11.11 mm.)	1 $\frac{1}{2}$ " (38.10 mm.)	10 S.W.G.	Plain	9078088	$\frac{11}{16}$ " (9.92 mm.)	1 $\frac{1}{2}$ " (38.10 mm.)	$\frac{1}{16}$ "	Fibre
9067271	$\frac{7}{16}$ " (11.11 mm.)	1 $\frac{3}{8}$ " (47.62 mm.)	8 S.W.G.	Plain	9078092	$\frac{11}{16}$ " (13.49 mm.)	1" (25.40 mm.)	$\frac{1}{16}$ "	Fibre
9067283	$\frac{1}{2}$ " (12.70 mm.)	1 $\frac{1}{4}$ " (31.75 mm.)	6 S.W.G.	Plain	9079053	1 $\frac{1}{4}$ " (31.75 mm.)	1 $\frac{7}{8}$ " (47.62 mm.)	$\frac{1}{4}$ "	Cork
9067321	$\frac{3}{4}$ " (19.05 mm.)	1 $\frac{1}{8}$ " (28.57 mm.)	17 S.W.G.	Plain	9079095	6 $\frac{3}{8}$ " (161.92 mm.)	7 $\frac{1}{8}$ " (180.97 mm.)	$\frac{1}{8}$ "	Klingerit
9067324	$\frac{3}{8}$ " (22.22 mm.)	1 $\frac{1}{2}$ " (38.10 mm.)	10 S.W.G.	Plain	9079102	$\frac{11}{16}$ " (11.90 mm.)	$\frac{3}{8}$ " (15.87 mm.)	$\frac{1}{32}$ "	Tufnol-Card
9067333	1" (25.40 mm.)	1 $\frac{3}{8}$ " (34.92 mm.)	14 S.W.G.	Plain	9079103	$\frac{3}{8}$ " (9.52 mm.)	1 $\frac{1}{2}$ " (38.10 mm.)	$\frac{1}{32}$ "	Leather
9067342	1 $\frac{1}{8}$ " (28.57 mm.)	2" (50.80 mm.)	8 S.W.G.	Plain					
9067387	$\frac{5}{16}$ " (7.93 mm.)	1" (25.40 mm.)	6 S.W.G.	Plain					
9067399	$\frac{3}{16}$ " (4.76 mm.)	$\frac{3}{8}$ " (9.52 mm.)	$\frac{3}{16}$ "	Plain					
9067402	$\frac{3}{16}$ " (5.55 mm.)	$\frac{1}{2}$ " (12.70 mm.)	16 S.W.G.	Plain					

SPRING AND LOCK WASHERS

Part No.	Size	Type	Remarks	Part No.	Size	Type	Remarks	
9660101	$\frac{3}{16}$ "	Single Coil	Square Section	9661642	1"	Single Coil	Rectangular Section	
9660111	No. 8	Single Coil	Square Section	9662122	2 B.A.	Double Coil		
9660121	2 B.A.	Single Coil	Square Section	9662162	$\frac{1}{4}$ "	Double Coil		
9660161	$\frac{1}{4}$ "	Single Coil	Square Section	9663102	3 B.A.	Tooth Lock		
9660163	$\frac{1}{4}$ "	Single Coil	Square Section	9663122	2 B.A.	Tooth Lock		
9660201	$\frac{5}{16}$ "	Single Coil	Square Section	9663123	2 B.A.	Tooth Lock		
9660203	$\frac{5}{16}$ "	Single Coil	Square Section	9664123	No. 10	Tooth Lock	Internal	
9660241	$\frac{3}{8}$ "	Single Coil	Square Section	9664162	$\frac{1}{4}$ "	Tooth Lock		
9660281	$\frac{7}{16}$ "	Single Coil	Square Section	9664202	$\frac{5}{16}$ "	Tooth Lock		
9660321	$\frac{1}{2}$ "	Single Coil	Square Section	9664282	$\frac{7}{16}$ "	Tooth Lock		
9660361	$\frac{5}{16}$ "	Single Coil	Square Section	9664322	$\frac{1}{2}$ "	Tooth Lock		
9660401	$\frac{5}{8}$ "	Single Coil	Square Section	9670412	No. 4	Plain Cup Washer		
9660481	$\frac{3}{4}$ "	Single Coil	Square Section	9670613	No. 6	Plain Cup Washer		
9661103	$\frac{3}{16}$ "	Single Coil	Rectangular Section	9670624	No. 6	Flanged Cup Washer		
9661121	2 B.A.	Single Coil	Rectangular Section					
9661161	$\frac{1}{4}$ "	Single Coil	Rectangular Section					
9661201	$\frac{5}{16}$ "	Single Coil	Rectangular Section	9086002	I/D $\frac{1}{4}$ "	O/D $\frac{5}{16}$ "	S.W.G. $\frac{1}{32}$ "	Remarks Double Coil Spring
9661241	$\frac{3}{8}$ "	Single Coil	Rectangular Section	9086007	$\frac{3}{16}$ "	$\frac{5}{16}$ "	$\frac{3}{32}$ "	Double Coil Spring
9661281	$\frac{7}{16}$ "	Single Coil	Rectangular Section	9086008	$\frac{3}{8}$ "	$\frac{3}{8}$ "	$\frac{3}{32}$ "	Double Coil Spring
9661321	$\frac{1}{2}$ "	Single Coil	Rectangular Section	9086043	$\frac{3}{16}$ "	$\frac{1}{4}$ "	$\frac{1}{32}$ "	Double Coil Spring

STUDS

Part No.	Size	Length	Part No.	Size	Length
29505082	$\frac{5}{16}$ " U.N.F. ×	$\frac{5}{16}$ " U.N.F. × 1" (25-40 mm.)	29900031	$\frac{5}{16}$ " B.S.F. ×	$\frac{5}{16}$ " B.S.F. × 1 $\frac{1}{4}$ " (31-75 mm.)
29505132	$\frac{5}{16}$ " U.N.F. ×	$\frac{5}{16}$ " U.N.F. × 1 $\frac{3}{8}$ " (41-27 mm.)	29900032	$\frac{5}{16}$ " B.S.F. ×	$\frac{5}{16}$ " B.S.F. × 1-35" (34-52 mm.)
29505211	$\frac{5}{16}$ " U.N.F. ×	$\frac{5}{16}$ " U.N.F. × 2 $\frac{1}{2}$ " (63-50 mm.)	29900033	$\frac{5}{16}$ " B.S.F. ×	$\frac{5}{16}$ " B.S.F. × 1 $\frac{3}{8}$ " (34-92 mm.)
29506222	$\frac{3}{8}$ " U.N.F. ×	$\frac{3}{8}$ " U.N.F. × 2 $\frac{3}{4}$ " (69-85 mm.)	29900048	$\frac{5}{16}$ " B.S.F. ×	$\frac{5}{16}$ " B.S.F. × 2-7" (68-58 mm.)
29508222	$\frac{1}{2}$ " U.N.F. ×	$\frac{1}{2}$ " U.N.F. × 2 $\frac{3}{4}$ " (69-85 mm.)	29900052	$\frac{5}{16}$ " B.S.F. ×	$\frac{5}{16}$ " B.S.F. × 3" (76-20 mm.)
29604101	$\frac{1}{4}$ " U.N.F. ×	$\frac{1}{4}$ " U.N.C. × 1 $\frac{1}{4}$ " (31-75 mm.)	29900058	$\frac{5}{16}$ " B.S.F. ×	$\frac{5}{16}$ " B.S.F. × 4" (101-60 mm.)
29605282	$\frac{5}{16}$ " U.N.F. ×	$\frac{5}{16}$ " U.N.C. × 3 $\frac{1}{2}$ " (88-90 mm.)	29900075	$\frac{3}{8}$ " B.S.F. ×	$\frac{3}{8}$ " B.S.F. × 1 $\frac{5}{8}$ " (41-27 mm.)
29704081	$\frac{1}{4}$ " U.N.F. ×	$\frac{1}{4}$ " U.N.F. × 1" (25-40 mm.)	29900078	$\frac{3}{8}$ " B.S.F. ×	$\frac{3}{8}$ " B.S.F. × 1 $\frac{5}{8}$ " (41-27 mm.)
29705101	$\frac{5}{16}$ " U.N.F. ×	$\frac{5}{16}$ " U.N.F. × 1 $\frac{1}{4}$ " (31-75 mm.)	29900080	$\frac{3}{8}$ " B.S.F. ×	$\frac{3}{8}$ " B.S.F. × 1 $\frac{3}{4}$ " (44-45 mm.)
29705123	$\frac{5}{16}$ " U.N.F. ×	$\frac{5}{16}$ " U.N.F. × 1 $\frac{1}{2}$ " (38-10 mm.)	29900083	$\frac{3}{8}$ " B.S.F. ×	$\frac{3}{8}$ " B.S.F. × 1 $\frac{7}{8}$ " (47-62 mm.)
29705132	$\frac{5}{16}$ " U.N.F. ×	$\frac{5}{16}$ " U.N.F. × 1 $\frac{5}{8}$ " (41-27 mm.)	29900093	$\frac{3}{8}$ " B.S.F. ×	$\frac{3}{8}$ " B.S.F. × 2 $\frac{3}{4}$ " (69-85 mm.)
29705172	$\frac{5}{16}$ " U.N.F. ×	$\frac{5}{16}$ " U.N.F. × 2-25" (57-15 mm.)	29900106	$\frac{3}{8}$ " B.S.F. ×	$\frac{3}{8}$ " B.S.F. × 3 $\frac{1}{2}$ " (88-90 mm.)
29705201	$\frac{5}{16}$ " U.N.F. ×	$\frac{5}{16}$ " U.N.F. × 2 $\frac{1}{2}$ " (63-50 mm.)	29900128	$\frac{7}{16}$ " B.S.F. ×	$\frac{7}{16}$ " B.S.F. × 2 $\frac{1}{2}$ " (63-50 mm.)
29705221	$\frac{5}{16}$ " U.N.F. ×	$\frac{5}{16}$ " U.N.F. × 2 $\frac{3}{4}$ " (69-85 mm.)	29900135	$\frac{7}{16}$ " B.S.F. ×	$\frac{7}{16}$ " B.S.F. × 3 $\frac{3}{8}$ " (85-72 mm.)
29705241	$\frac{5}{16}$ " U.N.F. ×	$\frac{5}{16}$ " U.N.F. × 3" (76-20 mm.)	29900145	$\frac{7}{16}$ " B.S.F. ×	$\frac{7}{16}$ " B.S.F. × 5-6" (142-24 mm.)
29706112	$\frac{3}{8}$ " U.N.F. ×	$\frac{3}{8}$ " U.N.F. × 1 $\frac{3}{8}$ " (34-92 mm.)	29900216	$\frac{7}{16}$ " B.S.F. ×	$\frac{7}{16}$ " B.S.F. × 3W" (85-32 mm.)
29706122	$\frac{3}{8}$ " U.N.F. ×	$\frac{3}{8}$ " U.N.F. × 1 $\frac{1}{2}$ " (38-10 mm.)	29900218	$\frac{5}{16}$ " B.S.F. ×	$\frac{5}{16}$ " B.S.F. × 3 $\frac{1}{2}$ " (88-90 mm.)
29706134	$\frac{3}{8}$ " U.N.F. ×	$\frac{3}{8}$ " U.N.F. × 1 $\frac{3}{8}$ " (41-27 mm.)	29900251	$\frac{3}{8}$ " B.S.F. ×	$\frac{3}{8}$ " B.S.F. × 2" (50-80 mm.)
29706143	$\frac{3}{8}$ " U.N.F. ×	$\frac{3}{8}$ " U.N.F. × 1 $\frac{3}{4}$ " (44-45 mm.)	29900274	$\frac{7}{16}$ "	$\frac{7}{16}$ " B.S.W. × 4-4" (111-76 mm.)
29706164	$\frac{3}{8}$ " U.N.F. ×	$\frac{3}{8}$ " U.N.F. × 1 $\frac{3}{4}$ " (44-45 mm.)	29900289	$\frac{5}{16}$ " B.S.F. ×	$\frac{5}{16}$ " B.S.F. × 1 $\frac{1}{2}$ " (38-10 mm.)
29706182	$\frac{3}{8}$ " U.N.F. ×	$\frac{3}{8}$ " U.N.F. × 2 $\frac{1}{4}$ " (57-15 mm.)	29900351	$\frac{3}{8}$ " U.N.F. ×	$\frac{3}{8}$ " U.N.F. × 1" (25-40 mm.)
29706222	$\frac{3}{8}$ " U.N.F. ×	$\frac{3}{8}$ " U.N.F. × 2 $\frac{3}{4}$ " (69-85 mm.)	29900352	$\frac{3}{8}$ " U.N.F. ×	$\frac{3}{8}$ " U.N.F. × 1 $\frac{1}{2}$ " (38-10 mm.)
29707133	$\frac{7}{16}$ " U.N.F. ×	$\frac{7}{16}$ " U.N.F. × 1-625" (41-27 mm.)	29900353	$\frac{3}{8}$ " U.N.F. ×	$\frac{3}{8}$ " U.N.F. × 1-3" (33-02 mm.)
29708222	$\frac{1}{2}$ " U.N.F. ×	$\frac{1}{2}$ " U.N.F. × 2 $\frac{3}{4}$ " (69-85 mm.)	29900369	$\frac{7}{16}$ " B.S.F. ×	$\frac{7}{16}$ " B.S.W. × 1" (25-40 mm.)
29805092	$\frac{5}{16}$ " U.N.C. ×	$\frac{5}{16}$ " U.N.F. × 1 $\frac{1}{8}$ " (28-57 mm.)	29900374	$\frac{5}{16}$ " U.N.F. ×	$\frac{5}{16}$ " U.N.F. × 1-312" (33-33 mm.)
29805101	$\frac{5}{16}$ " U.N.F. ×	$\frac{5}{16}$ " U.N.C. × 1 $\frac{1}{4}$ " (31-75 mm.)	29900376	$\frac{3}{8}$ " U.N.F. ×	$\frac{3}{8}$ " U.N.F. × 1 $\frac{3}{8}$ " (34-92 mm.)
29805122	$\frac{5}{16}$ " U.N.F. ×	$\frac{5}{16}$ " U.N.C. × 1 $\frac{1}{2}$ " (38-10 mm.)	29900380	$\frac{3}{8}$ " U.N.F. ×	$\frac{3}{8}$ " U.N.F. × 1 $\frac{3}{8}$ " (41-27 mm.)
29805172	$\frac{5}{16}$ " U.N.C. ×	$\frac{5}{16}$ " U.N.F. × 2 $\frac{1}{8}$ " (53-97 mm.)	29900381	$\frac{3}{8}$ " U.N.F. ×	$\frac{3}{8}$ " U.N.F. × 2 $\frac{1}{16}$ " (65-08 mm.)
29806122	$\frac{3}{8}$ " U.N.F. ×	$\frac{3}{8}$ " U.N.C. × 1 $\frac{1}{2}$ " (38-10 mm.)	29900382	$\frac{3}{8}$ " U.N.F. ×	$\frac{3}{8}$ " U.N.F. × 1 $\frac{3}{16}$ " (30-16 mm.)
29806132	$\frac{3}{8}$ " U.N.F. ×	$\frac{3}{8}$ " U.N.C. × 1 $\frac{3}{8}$ " (41-27 mm.)	29900383	$\frac{3}{8}$ " U.N.F. ×	$\frac{3}{8}$ " U.N.F. × 3 $\frac{1}{16}$ " (77-78 mm.)
29806153	$\frac{3}{8}$ " U.N.F. ×	$\frac{7}{16}$ " U.N.C. × 1 $\frac{7}{8}$ " (47-62 mm.)	29900384	$\frac{3}{8}$ " U.N.F. ×	$\frac{3}{8}$ " U.N.F. × 5" (127-00 mm.)
29806161	$\frac{3}{8}$ " U.N.F. ×	$\frac{3}{8}$ " U.N.C. × 2" (50-80 mm.)	29900385	$\frac{3}{8}$ " U.N.F. ×	$\frac{3}{8}$ " U.N.F. × 2 $\frac{7}{8}$ " (73-02 mm.)
29806242	$\frac{3}{8}$ " U.N.F. ×	$\frac{3}{8}$ " U.N.C. × 3" (76-20 mm.)	29900393	$\frac{7}{16}$ " U.N.F. ×	$\frac{7}{16}$ " U.N.F. × 4 $\frac{3}{8}$ " (111-12 mm.)
29807123	$\frac{7}{16}$ " U.N.F. ×	$\frac{7}{16}$ " U.N.C. × 1 $\frac{1}{2}$ " (38-10 mm.)	29900394	$\frac{7}{16}$ " U.N.F. ×	$\frac{7}{16}$ " U.N.F. × 4 $\frac{1}{8}$ " (104-77 mm.)
29807131	$\frac{7}{16}$ " U.N.F. ×	$\frac{7}{16}$ " U.N.F. × 1 $\frac{3}{8}$ " (41-27 mm.)	29900398	$\frac{3}{8}$ " B.S.F. ×	$\frac{3}{8}$ " B.S.F. × 2 $\frac{1}{8}$ " (53-97 mm.)
29807161	$\frac{7}{16}$ " U.N.F. ×	$\frac{7}{16}$ " U.N.C. × 2" (50-80 mm.)	29900403	$\frac{5}{16}$ " U.N.C. ×	$\frac{5}{16}$ " U.N.F. × 1" (25-40 mm.)
29808164	$\frac{1}{2}$ " U.N.F. ×	$\frac{1}{2}$ " U.N.C. × 2" (50-80 mm.)	29900404	$\frac{5}{16}$ " U.N.C. ×	$\frac{5}{16}$ " U.N.F. × 1 $\frac{3}{16}$ " (39-68 mm.)
29900007	$\frac{1}{4}$ " B.S.F. ×	$\frac{1}{4}$ " B.S.F. × $\frac{3}{4}$ " (19-05 mm.)	29900405	$\frac{5}{16}$ " U.N.C. ×	$\frac{5}{16}$ " U.N.F. × 2 $\frac{1}{4}$ " (57-15 mm.)
29900017	$\frac{5}{16}$ " B.S.F. ×	$\frac{5}{16}$ " B.S.F. × 9" (22-86 mm.)	29900415	$\frac{3}{8}$ " U.N.C. ×	$\frac{3}{8}$ " U.N.F. × 1-375" (34-92 mm.)
29900030	$\frac{5}{16}$ " B.S.F. ×	$\frac{5}{16}$ " B.S.F. × 1 $\frac{1}{4}$ " (31-75 mm.)			